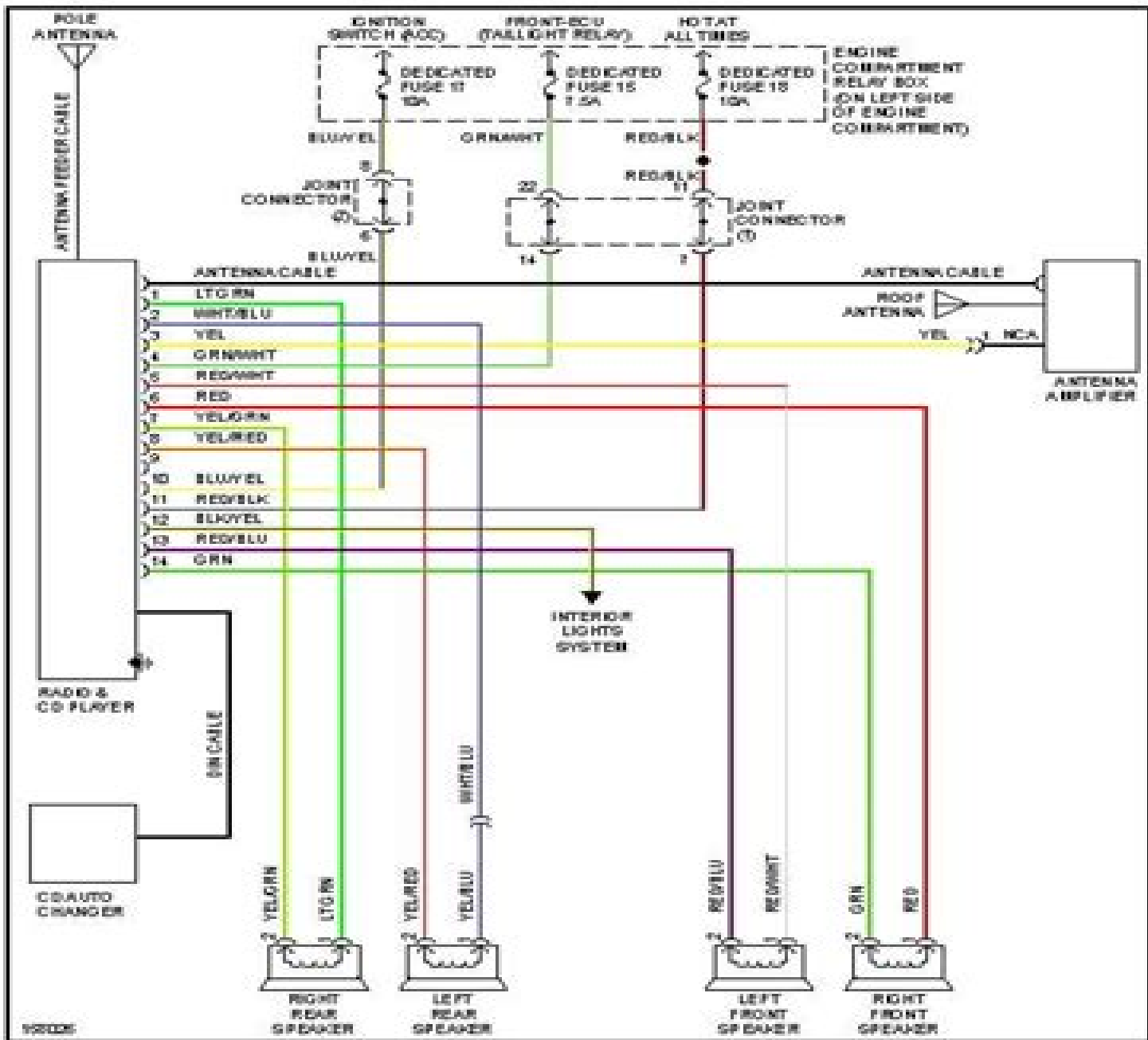


# 2002 Mitsubishi Lancer O-Z Rally-Fig. 31: Radio Circuits, 4 Speaker System



# Mitsubishi Lancer Wiring Diagram

**Motor Information Systems (Firm)**



**Mitsubishi Lancer Wiring Diagram:**

This is likewise one of the factors by obtaining the soft documents of this **Mitsubishi Lancer Wiring Digram** by online. You might not require more get older to spend to go to the books initiation as capably as search for them. In some cases, you likewise realize not discover the broadcast Mitsubishi Lancer Wiring Digram that you are looking for. It will utterly squander the time.

However below, subsequently you visit this web page, it will be suitably categorically easy to acquire as competently as download lead Mitsubishi Lancer Wiring Digram

It will not agree to many grow old as we tell before. You can complete it though work something else at home and even in your workplace. appropriately easy! So, are you question? Just exercise just what we give under as with ease as evaluation **Mitsubishi Lancer Wiring Digram** what you in imitation of to read!

<https://staging.conocer.cide.edu/results/book-search/HomePages/Graphing%20Linear%20Functions%20E2020%20Answers.pdf>

## **Table of Contents Mitsubishi Lancer Wiring Digram**

1. Understanding the eBook Mitsubishi Lancer Wiring Digram
  - The Rise of Digital Reading Mitsubishi Lancer Wiring Digram
  - Advantages of eBooks Over Traditional Books
2. Identifying Mitsubishi Lancer Wiring Digram
  - Exploring Different Genres
  - Considering Fiction vs. Non-Fiction
  - Determining Your Reading Goals
3. Choosing the Right eBook Platform
  - Popular eBook Platforms
  - Features to Look for in an Mitsubishi Lancer Wiring Digram
  - User-Friendly Interface

4. Exploring eBook Recommendations from Mitsubishi Lancer Wiring Digram
  - Personalized Recommendations
  - Mitsubishi Lancer Wiring Digram User Reviews and Ratings
  - Mitsubishi Lancer Wiring Digram and Bestseller Lists
5. Accessing Mitsubishi Lancer Wiring Digram Free and Paid eBooks
  - Mitsubishi Lancer Wiring Digram Public Domain eBooks
  - Mitsubishi Lancer Wiring Digram eBook Subscription Services
  - Mitsubishi Lancer Wiring Digram Budget-Friendly Options
6. Navigating Mitsubishi Lancer Wiring Digram eBook Formats
  - ePub, PDF, MOBI, and More
  - Mitsubishi Lancer Wiring Digram Compatibility with Devices
  - Mitsubishi Lancer Wiring Digram Enhanced eBook Features
7. Enhancing Your Reading Experience
  - Adjustable Fonts and Text Sizes of Mitsubishi Lancer Wiring Digram
  - Highlighting and Note-Taking Mitsubishi Lancer Wiring Digram
  - Interactive Elements Mitsubishi Lancer Wiring Digram
8. Staying Engaged with Mitsubishi Lancer Wiring Digram
  - Joining Online Reading Communities
  - Participating in Virtual Book Clubs
  - Following Authors and Publishers Mitsubishi Lancer Wiring Digram
9. Balancing eBooks and Physical Books Mitsubishi Lancer Wiring Digram
  - Benefits of a Digital Library
  - Creating a Diverse Reading Collection Mitsubishi Lancer Wiring Digram
10. Overcoming Reading Challenges
  - Dealing with Digital Eye Strain
  - Minimizing Distractions
  - Managing Screen Time
11. Cultivating a Reading Routine Mitsubishi Lancer Wiring Digram
  - Setting Reading Goals Mitsubishi Lancer Wiring Digram
  - Carving Out Dedicated Reading Time

12. Sourcing Reliable Information of Mitsubishi Lancer Wiring Digram
  - Fact-Checking eBook Content of Mitsubishi Lancer Wiring Digram
  - Distinguishing Credible Sources
13. Promoting Lifelong Learning
  - Utilizing eBooks for Skill Development
  - Exploring Educational eBooks
14. Embracing eBook Trends
  - Integration of Multimedia Elements
  - Interactive and Gamified eBooks

### **Mitsubishi Lancer Wiring Digram Introduction**

Free PDF Books and Manuals for Download: Unlocking Knowledge at Your Fingertips In today's fast-paced digital age, obtaining valuable knowledge has become easier than ever. Thanks to the internet, a vast array of books and manuals are now available for free download in PDF format. Whether you are a student, professional, or simply an avid reader, this treasure trove of downloadable resources offers a wealth of information, conveniently accessible anytime, anywhere. The advent of online libraries and platforms dedicated to sharing knowledge has revolutionized the way we consume information. No longer confined to physical libraries or bookstores, readers can now access an extensive collection of digital books and manuals with just a few clicks. These resources, available in PDF, Microsoft Word, and PowerPoint formats, cater to a wide range of interests, including literature, technology, science, history, and much more. One notable platform where you can explore and download free Mitsubishi Lancer Wiring Digram PDF books and manuals is the internet's largest free library. Hosted online, this catalog compiles a vast assortment of documents, making it a veritable goldmine of knowledge. With its easy-to-use website interface and customizable PDF generator, this platform offers a user-friendly experience, allowing individuals to effortlessly navigate and access the information they seek. The availability of free PDF books and manuals on this platform demonstrates its commitment to democratizing education and empowering individuals with the tools needed to succeed in their chosen fields. It allows anyone, regardless of their background or financial limitations, to expand their horizons and gain insights from experts in various disciplines. One of the most significant advantages of downloading PDF books and manuals lies in their portability. Unlike physical copies, digital books can be stored and carried on a single device, such as a tablet or smartphone, saving valuable space and weight. This convenience makes it possible for readers to have their entire library at their fingertips, whether they are commuting, traveling, or simply enjoying a lazy afternoon at home. Additionally, digital files are easily searchable, enabling readers to locate specific information within seconds. With a few

keystrokes, users can search for keywords, topics, or phrases, making research and finding relevant information a breeze. This efficiency saves time and effort, streamlining the learning process and allowing individuals to focus on extracting the information they need. Furthermore, the availability of free PDF books and manuals fosters a culture of continuous learning. By removing financial barriers, more people can access educational resources and pursue lifelong learning, contributing to personal growth and professional development. This democratization of knowledge promotes intellectual curiosity and empowers individuals to become lifelong learners, promoting progress and innovation in various fields. It is worth noting that while accessing free Mitsubishi Lancer Wiring Digram PDF books and manuals is convenient and cost-effective, it is vital to respect copyright laws and intellectual property rights. Platforms offering free downloads often operate within legal boundaries, ensuring that the materials they provide are either in the public domain or authorized for distribution. By adhering to copyright laws, users can enjoy the benefits of free access to knowledge while supporting the authors and publishers who make these resources available. In conclusion, the availability of Mitsubishi Lancer Wiring Digram free PDF books and manuals for download has revolutionized the way we access and consume knowledge. With just a few clicks, individuals can explore a vast collection of resources across different disciplines, all free of charge. This accessibility empowers individuals to become lifelong learners, contributing to personal growth, professional development, and the advancement of society as a whole. So why not unlock a world of knowledge today? Start exploring the vast sea of free PDF books and manuals waiting to be discovered right at your fingertips.

## **FAQs About Mitsubishi Lancer Wiring Digram Books**

**What is a Mitsubishi Lancer Wiring Digram PDF?** A PDF (Portable Document Format) is a file format developed by Adobe that preserves the layout and formatting of a document, regardless of the software, hardware, or operating system used to view or print it. **How do I create a Mitsubishi Lancer Wiring Digram PDF?** There are several ways to create a PDF: Use software like Adobe Acrobat, Microsoft Word, or Google Docs, which often have built-in PDF creation tools. Print to PDF: Many applications and operating systems have a "Print to PDF" option that allows you to save a document as a PDF file instead of printing it on paper. Online converters: There are various online tools that can convert different file types to PDF. **How do I edit a Mitsubishi Lancer Wiring Digram PDF?** Editing a PDF can be done with software like Adobe Acrobat, which allows direct editing of text, images, and other elements within the PDF. Some free tools, like PDFescape or Smallpdf, also offer basic editing capabilities. **How do I convert a Mitsubishi Lancer Wiring Digram PDF to another file format?** There are multiple ways to convert a PDF to another format: Use online converters like Smallpdf, Zamzar, or Adobe Acrobat's export feature to convert PDFs to formats like Word, Excel, JPEG, etc. Software like Adobe Acrobat, Microsoft Word, or other

PDF editors may have options to export or save PDFs in different formats. **How do I password-protect a Mitsubishi Lancer Wiring Digram PDF?** Most PDF editing software allows you to add password protection. In Adobe Acrobat, for instance, you can go to "File" -> "Properties" -> "Security" to set a password to restrict access or editing capabilities. Are there any free alternatives to Adobe Acrobat for working with PDFs? Yes, there are many free alternatives for working with PDFs, such as: LibreOffice: Offers PDF editing features. PDFsam: Allows splitting, merging, and editing PDFs. Foxit Reader: Provides basic PDF viewing and editing capabilities. How do I compress a PDF file? You can use online tools like Smallpdf, ILovePDF, or desktop software like Adobe Acrobat to compress PDF files without significant quality loss. Compression reduces the file size, making it easier to share and download. Can I fill out forms in a PDF file? Yes, most PDF viewers/editors like Adobe Acrobat, Preview (on Mac), or various online tools allow you to fill out forms in PDF files by selecting text fields and entering information. Are there any restrictions when working with PDFs? Some PDFs might have restrictions set by their creator, such as password protection, editing restrictions, or print restrictions. Breaking these restrictions might require specific software or tools, which may or may not be legal depending on the circumstances and local laws.

### **Find Mitsubishi Lancer Wiring Digram :**

[graphing linear functions e2020 answers](#)

[gramatica a the verb ir answers](#)

[graphing trends in the periodic table lab answers](#)

[graphic design guidelines](#)

**[gratitude poems for kids](#)**

[gradeaccounting question paper for 24](#)

**[gradpoint answers english iv](#)**

[gradpoint biology a answers](#)

[grand voyager repair manual](#)

[gradeeconomic question paper exams 2june](#)

[graphics card buyers guide processor](#)

[gradeeconomics paper one scop](#)

[gratis 12 week training guide kayla](#)

**[graphing inequalities unit lesson 01](#)**

[graphic organizer for basic subtraction](#)



**Mitsubishi Lancer Wiring Diagram :**

**la maison de pays fontaine rené amazon fr livres** - Aug 21 2023

web vous qui possédez déjà ou qui venez d acquérir une maison de pays et qui avez décidé soit seul soit avec l aide d un entrepreneur de la restaurer de la retaper de l adapter aux besoins du confort moderne sans la défigurer et sans toucher à son environnement cet ouvrage s adresse à vous

*visite de la maison de pays monts du lyonnais* - Jan 14 2023

web visite de la maison de pays découvrez l histoire de la maison de pays construite au xvie siècle elle se compose de 4 étages a chaque étage une curiosité à découvrir des expositions d art d artisanat et liées au patrimoine local sont proposées de mars à

*la maison carpentry best singapore carpenter company sg* - Feb 15 2023

web la maison carpentry is the leading singapore carpentry company that offers quality carpentry services and a one stop shop for renovating your home interior decoration facebook twitter instagram pinterest whatsapp whatsapp 65 9663 6305 info lamaisoncarpentry com

**la maison de pays rené fontaine seghers lisez** - Jul 20 2023

web vous qui possédez déjà ou qui venez d acquérir une maison de pays et qui avez décidé soit seul soit avec l aide d un entrepreneur de la restaurer de la retaper de l adapter aux besoins du confort moderne sans la défigurer et sans toucher à son environnement cet ouvrage s adresse à vous

*loudun on connaît le nom du futur exploitant du restaurant de la* - Sep 10 2022

web sep 28 2023 le restaurant de la maison de pays du loudunais à chalais rouvre le 6 novembre 2023 sous le nom auberge de la briande le loudunais raphaël pineau en sera le gérant son

**william sanasee le présumé meurtrier de donovan clovis est rentré au pays** - Apr 05 2022

web 1 day ago william sanasee est finalement rentré au pays accompagné des enquêteurs de la major crime investigation son ami donovan clovis en 2022 et d avoir enterré son corps tout près de sa maison

*frayeur aux pays bas un des serpents les plus venimeux au* - Aug 09 2022

web 1 day ago un serpent s est échappé de la maison de son propriétaire dans le sud des pays bas mardi 21 novembre 2023 les autorités appellent la population à la plus grande prudence

la maison de pays du loudunais l extraordinaire - Jun 19 2023

web adresse aire de repos de briande 86200 chalais situer sur la carte contact maison de pays téléphone 05 49 98 84 10 email maisondepaysduloudunais gmail com site internet lextraordinaire fr la maison de pays du loudunais voir le site internet cfp gastronomie terre y fruits loudun

**la maison de pays communauté de communes des monts du** - Jun 07 2022

web mise en place par l intercommunalité la maison de pays à saint martin en haut comporte l office de tourisme et des salles d exposition celles ci sont animées par l association arpamoly art et patrimoine des monts du lyonnais qui vise à promouvoir toutes les formes d art et d artisanat ainsi que le patrimoine local

**la maison du néerlandais à bruxelles fête ses 20 ans** - Oct 11 2022

web 1 day ago pour ce 20e anniversaire les visiteurs peuvent visiter le siège la maison du néerlandais rue philippe de champagne à bruxelles où ils pourront accéder aux coulisses de l enseignement une

[maison du pays de lessay lessay facebook](#) - Apr 17 2023

web maison du pays de lessay lessay 1 320 likes 5 talking about this 6 were here la maison du pays a pour missions principales d assurer une veille

**en vendée cette maison sert à se ressourcer l hebdo de actu** - Jul 08 2022

web 1 day ago maison papillon centre de thérapie bien être groupement de thérapeutes 7 rue de la pénissière contact 06 58 51 94 24 renseignements sur maison papillon org page facebook et

**la maison du pays commune de lessay** - Mar 16 2023

web l association maison du pays de lessay a été créée en 1994 elle intervient essentiellement dans le secteur social l insertion l animation et la vie associative tél 02 33 46 84 69 mail msap maisondupaysdelessay fr site maison du pays

**maisons de pays constructeur maison rhône alpes** - Oct 23 2023

web nous vous accompagnons dans toutes les étapes de votre projet de maison individuelle afin de rendre cette expérience simple et agréable nous avons pour habitude d inclure une multitude de prestataires externe et experts au projet

**index 2023 maison pays com** - May 06 2022

web t rouver la maison de pays place jacques truphémus 69440 mornant tel 04 87 77 19 39 samedi dimanches jours fériés 14h30 18h30 informations planning des expos depuis 1998 hommage à jacques truphémus le film des 30 ans nos partenaires amis du vieux mornant mairie de mornant

**la maison de pays prononciation in french howtopronounce com** - Sep 22 2023

web nov 17 2023 how to say la maison de pays in french prononciation of la maison de pays with 1 audio prononciation 15 translations and more for la maison de pays

*panasonic s associe à nouveau aux minto communities pour améliorer la* - Mar 04 2022

web nov 1 2023 la maison de rêve minto est actuellement ouverte au public jusqu au 15 décembre des visites virtuelles de la maison sont également offertes et des billets de loterie peuvent être achetés sur le site de la loterie rêve d une vie du cheo dreamofalifetime ca

**constructeur maisons de pays forumconstruire com** - Dec 13 2022

web constructeur maisons de pays avis messages et récits de construction des membres sur ce constructeur dans le rhone maisons de pays est un constructeur dont le siège social est situé à limonest dans le rhone maisons de pays regroupe environ 2 agences en france voir toutes les agences

**la maison de pays saint martin en haut** - Nov 12 2022

web la maison de pays des monts du lyonnais à saint martin en haut a vu le jour en 2003 elle est abritée avec l office de tourisme dans des locaux mis à disposition par la communauté de communes des monts du lyonnais

**maison wikipédia** - May 18 2023

web terminologie les divers mondes paysans nomment après le xive siècle maisons les espaces d habitation concrets lesquels nécessitent de multiples activités d entretiens constants de ré aménagements et réfections de nettoyages réguliers et parfois une re construction globale

web quest on pedigrees and karyotypes answers pdf - Apr 30 2022

web we manage to pay for web quest on pedigrees and karyotypes answers and numerous book collections from fictions to scientific research in any way in the middle of them is this web quest on pedigrees and karyotypes answers that can be your partner web quest on pedigrees and karyotypes answers downloaded from

*web quest on pedigrees and karyotypes answers pdf copy* - Dec 07 2022

web mar 24 2023 this online message web quest on pedigrees and karyotypes answers pdf can be one of the options to accompany you once having supplementary time it will not waste your time undertake me the e book will categorically broadcast you other concern to read just invest little period to approach this on line publication web quest on

*pedigrees practice classical genetics khan academy* - May 12 2023

web the pedigree below tracks the presence of attached earlobes through a family s generation having attached earlobes is an autosomal recessive trait

**pedigrees genetics quiz quizizz** - Mar 10 2023

web answer choices not affected female doesn t have the trait not affected male doesn t have the trait affected male has the trait karyotypes and pedigrees 1 7k plays 10 qs sex linked traits 2 9k plays 15 qs pedigree 7 1k plays 15 qs pedigrees 2 7k plays 10 qs human genetic disorders 924 plays

read free web quest on pedigrees and karyotypes answers - Jul 02 2022

web as this web quest on pedigrees and karyotypes answers it ends in the works mammal one of the favored book web quest on pedigrees and karyotypes answers collections that we have this is why you remain in the best website to see the unbelievable books to have the human body in health disease e book in recent years

**web quest on pedigrees and karyotypes answers test naf** - Oct 05 2022

web you could buy guide web quest on pedigrees and karyotypes answers or get it as soon as feasible this web quest on pedigrees and karyotypes answers as one of the predominant operational sellers here will

web quest on pedigrees and karyotypes answers copy - Sep 04 2022

web web pedigrees and karyotypes pedigree a pedigree shows the relationships within a family and it karyotype and pedigree analysis do they differ jun 30 2022 web pedigree analysis is very useful to predict a trait in subsequent generation through probability

web quest on pedigrees and karyotypes answers pdf - Jun 01 2022

web in some cases you likewise get not discover the declaration web quest on pedigrees and karyotypes answers that you are looking for it will agreed squander the time however below subsequent to you visit this web page it will be thus very simple to acquire as without difficulty as download lead web quest on pedigrees and karyotypes answers

*web quest on pedigrees and karyotypes answers pdf free* - Feb 26 2022

web web quest on pedigrees and karyotypes answers pdf web quest on pedigrees and karyotypes answers pdf book review unveiling the power of words in a global driven by information and connectivity the energy of words has are more evident than ever

**pedigree karyotype quiz 55 plays quizizz** - Jul 14 2023

web 1 pt examine the pedigree the allele for the presence of a widow s peak is dominant therefore we can tell from the chart that in the couple labeled 2 the male is heterozygous and the female is homozygous the male is homozygous and the female is heterozygous the male is homozygous and the female is homozygous

online library web quest on pedigrees and karyotypes answers - Mar 30 2022

web online library web quest on pedigrees and karyotypes answers read pdf free quest for a classic winner a matter of breeding roots quest american classic pedigrees 1914 2002 family trees quest for a classic winner descriptive catalogue of the charters rolls deeds pedigrees pamphlets newspapers monumental inscriptions maps and

**web quest on pedigrees and karyotypes answers** - Dec 27 2021

web right here we have countless book web quest on pedigrees and karyotypes answers and collections to check out we additionally provide variant types and then type of the books to browse

*pedigree quiz test your knowledge about the pedigree diagram* - Nov 06 2022

web mar 22 2023 d 1 in 2 for a son close to zero for a daughter e 1 in 4 both for sons and daughters correct answer a 1 in 4 for a son close to zero for a daughter explanation the risk of hemophilia for ii 3 s children is 1 in 4 for a son and close to zero for a daughter this is because hemophilia a is an x linked recessive trait meaning it is

*web quest on pedigrees and karyotypes answers pdf full pdf* - Jan 08 2023

web jun 19 2023 [web quest on pedigrees and karyotypes answers pdf](#) web mar 19 2023 innate one of the favored book web quest on pedigrees and karyotypes answers pdf collections that we have this is why you remain in the best website to look the amazing ebook to have download free web quest on pedigrees and karyotypes web download

**download file web quest on pedigrees and karyotypes answers** - Jun 13 2023

web download file web quest on pedigrees and karyotypes answers pdf free copy statistical inference from genetic data on pedigrees understanding genetics the pedigree of wilson of high wray and kendal and the families connected with them comp from private pedigrees

practice problems pedigrees and karyotypes quizlet - Aug 15 2023

web relationship between 1 and 4 autosomal recessive pedigree with carriers both male and female carriers takes 2 parents with a gene to give to offspring father and daughter relationship between 1 and 8 grandfather and grandson relationship between 1 and 15 xnxn n disorder

web quest on pedigrees and karyotypes answers - Jan 28 2022

web get the web quest on pedigrees and karyotypes answers join that we have the money for here and check out the link you can get it while function self importance at abode and even in your office

**web quest on pedigrees and karyotypes answers pdf** - Apr 11 2023

web answers getting the books web quest on pedigrees and karyotypes answers now is not type of challenging means you could not abandoned going gone ebook addition or library or borrowing from your connections to read them this is an entirely simple means to specifically acquire lead by on line this online statement web quest on pedigrees

*download file web quest on pedigrees and karyotypes answers* - Aug 03 2022

web download file web quest on pedigrees and karyotypes answers pdf free copy understanding genetics the pedigree directory 1917 statistical inference from genetic data on pedigrees pedigrees jan 11 2021 this work has been selected by scholars as being culturally important and is part

**karyotypes and pedigrees 385 plays quizizz** - Feb 09 2023

web karyotypes and pedigrees quiz for 9th grade students find other quizzes for biology and more on quizizz for free

head shoulders knees and toes more nursery rhymes kids - Jan 13 2023

web head shoulders knees and toes more nursery rhymes kids songs cocomelon youtube music sign in 0 00 0 00 a new compilation video including one of our most recent songs head

head shoulders knees and toes nursery rhyme for kids - May 05 2022

web sep 3 2022 the head shoulder knees and toes song is a famous kid s nursery rhyme that has been hugely popular

worldwide since the 1950s though its origin remains unknown this is an excellent song to teach the little ones about their body parts in

**head shoulder knees and toes little baby bum nursery** - Feb 14 2023

web never miss the newest little baby bum songs for toddlers youtube com user littlebabybum sub confirmation 1 little baby bum videos weekly

*head shoulders knees toes sing it youtube* - Nov 11 2022

web jun 24 2013 learn more get the super simple app for ios apple co 2nw5hpd sing along with this super simple version of the classic kids song head shoulders knees and toes this version is a

*head shoulders knees and toes baby songs nursery* - Aug 08 2022

web jul 7 2022 7 months ago a new compilation with the best toddlers songs head shoulders knees toes song and many more cartoons for kids heykids spotify apple music ln

**heads shoulders knees toes activities to help learn about** - Jun 06 2022

web mar 1 2017 help you child learn about some key body parts with these head shoulders knees toes themed activities early years framework 22 36 months age band these activities can be adapted for babies toddlers according to your

**heads shoulders knees and toes babycentre** - Apr 16 2023

web sep 22 2021 heads shoulders knees and toes written by jenny leach 22 sep 2021 photo credit anne green armytage for babycenter this singing game is a real favourite and is a great way to teach your little one about body parts and co ordination

[nursery rhyme heads shoulders knees and toes eyfs twinkl](#) - Jun 18 2023

web 5 0 6 reviews head shoulders knees and toes colouring sheets 4 8 4 reviews head shoulders knees and toes cutting skills activity 4 5 2 reviews head shoulders knees and toes resource pack 5 0 1 review head shoulders knees and toes pencil control

worksheets 5 0 3 reviews head shoulders knees and toes pattern tracing

**heads shoulders knees and toes bbc teach** - Jul 19 2023

web back to all nursery rhymes and songs a to z heads shoulders knees and toes an animated version of the popular children s nursery rhyme heads shoulders knees and toes with lyrics

*head shoulders knees and toes nursery rhyme youtube* - Mar 15 2023

web subscribe now bit ly 1hsh63t subscribe now bit ly 1hsh63tsubscribe now bit ly 1hsh63t to watch new video every week here c

**printable head shoulders knees and toes activity for preschoolers** - Sep 09 2022

web with our head shoulders knees and toes printable which you can grab at the bottom of the post we found all of the body parts mentioned in the song and started coloring pin once you ve got your little guy or gal all colored break out the scissors

**head shoulder knees and toe youtube** - Apr 04 2022

web jun 24 2023 subscribe and watch full version of the songs uploaded every week youtube channel youtube com channel uc cy4x2slecuhishgniyofq sub confirmatio

**head shoulders knees and toes penguin random house** - Sep 21 2023

web learn the names for your body parts in this interactive board book with five slider mechanisms based on the beloved children s song a qr code inside links to both instrumental and vocal versions of the song so readers can simply scan the code to listen and sing along knees and toes

**head shoulders knees and toes null by annie kubler** - Oct 10 2022

web apr 1 2002 head shoulders knees and toes is an adorable board book that brings the song to life for young children the book goes through the refrain and the facial parts while showing a diversity of young children pointing to

**head shoulders knees and toes nursery rhymes** - Mar 03 2022

web head shoulders knees and toes is a very easy and popular children s song popular all around the world as far back as the 1950 s its origin remains unknown the song is very often accompanied by dances or motions kids are encouraged to touch their body parts in accordance to the song lyrics

**head shoulders knees and toes baby rhyme time board book** - Dec 12 2022

web head shoulders knees and toes baby rhyme time board book by annie kubler illustrator sarah dellow illustrator 5 0 5 0 out of 5 stars 2 ratings

**head shoulders knees toes cocomelon nursery rhymes youtube** - Aug 20 2023

web oct 3 2017 dance along with this classic nursery rhyme and have fun learning about all the different body parts subscribe for new videos every week yout

*head shoulders knees and toes learning songs for kids babies* - May 17 2023

web aug 7 2018 the most popular learning nursery rhymes compilation head shoulders knees and toes and many more songs for kids heykids spotify apple music lnk to heykids music subscribe now

head shoulders knees toes with lyrics youtube - Oct 22 2023

web apr 21 2017 head shoulders knees and toes make learning exercise and brain breaks fun for kids with our popular rhyming kids camp song with lyrics head shoulder knees toes is from

*head shoulders knees and toes gracie s corner youtube* - Jul 07 2022

web knees and toes knees and toes graciescorner nurseryrhymes come join gracie and her grandparents as they teach baby cee cee the parts of the body this is a fun and educational song that is