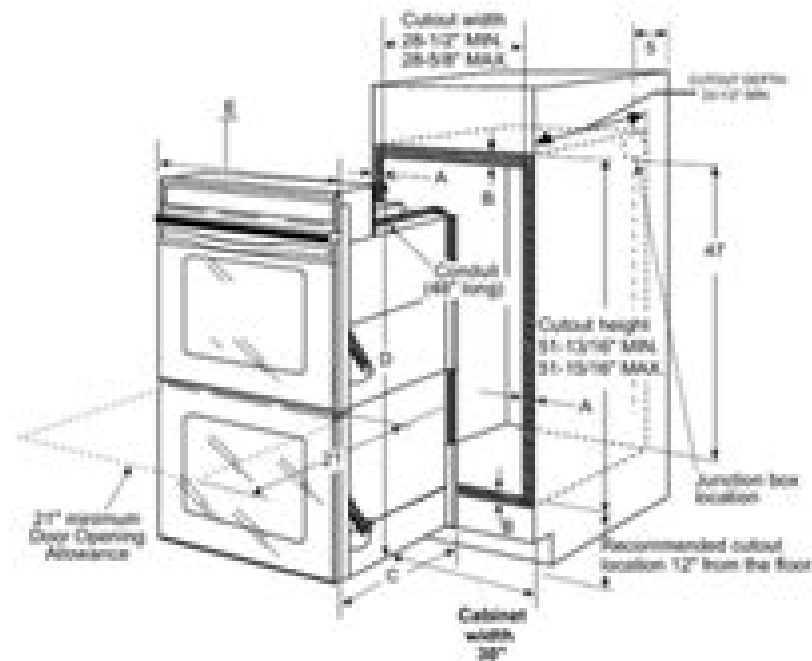




Profile™

JTP56BD/CD/SD/WD - GE Profile™ 30" Built-In Double Convection/Thermal Wall Oven

Cabinet Installation Dimensions (in inches)



Cabinet	30"
A-Overlap of Oven Door Side Edges of Cutout	11/16"-3/4"
B-Overlap of Oven at Top and Bottom of Cutout	1"
Oven	
C-Overall Depth	23-1/2"
D-Overall Height	52-3/8"
E-Overall Width	29-3/4"

KW Rating	
240V	7.2
208V	5.4
Breaker Size	
240V	40 Amps
208V	30 Amps

Installation Information: Before installing, consult installation instructions packed with product for current dimensional data.

NOTE: MOST 30" WALL CABINETS CAN BE USED WITH THIS UNIT. THE OPENING BETWEEN THE INSIDE WALLS MUST BE AT LEAST 28-1/2" WIDE.

Note: Cabinets installed adjacent to wall ovens must have an adhesion spec of at least 154° temperature rating.

Specification Created 7/01

For answers to your Monogram® GE Profile™ or GE appliance questions, visit our website at GEAppliances.com or call GE Answer Center® service, 800.626.2000.



Ge Double Wall Oven Manual

Judd E. Hollander



Ge Double Wall Oven Manual:

Manual of Classification United States. Patent and Trademark Office, United States. Patent and Trademark Office. Office of Documentation Planning, Support, and Control, 1994 Includes list of replacement pages **Buying Guide 2001** Consumer Reports Books Editors, The Editors of Consumer R, Consumer Reports, 2000-11 This compact book contains the best buying advice from Consumer Reports along with expert strategies for finding many products at the best prices Includes advice for shopping online by mail order or in stores lab test results and a preview of the 2001 model year vehicles House Beautiful's Maintenance & Postwar Building Manual, 1935 Consumers Digest, 2001 **Black Enterprise**, 1989-12 BLACK ENTERPRISE is the ultimate source for wealth creation for African American professionals entrepreneurs and corporate executives Every month BLACK ENTERPRISE delivers timely useful information on careers small business and personal finance Consumer Reports 2004, 2003 *Black Enterprise*, 1989 **Popular Science**, 2002-12 Popular Science gives our readers the information and tools to improve their technology and their world The core belief that Popular Science and our readers share The future is going to be better and science and technology are the driving forces that will help make it better **Organic Gardening**, 1980 Catalogue Montgomery Ward, 1959 **The Buying Guide 2004** Consumer Reports, 2003-11-29 Whatever your shopping style diligent researcher casual browser or determined time saver Consumer Reports is there with its all new 2004 edition of The Buying Guide Trusted product reviews comparisons test results and Ratings of over 800 products combined with the expertise of Consumer Reports will help you in making your buying decisions for the entire year Outlook Alfred Emanuel Smith, Francis Walton, 1873 Scientific American, 1868 Monthly magazine devoted to topics of general scientific interest **Old-House Journal**, 1985-12 Old House Journal is the original magazine devoted to restoring and preserving old houses For more than 35 years our mission has been to help old house owners repair restore update and decorate buildings of every age and architectural style Each issue explores hands on restoration techniques practical architectural guidelines historical overviews and homeowner stories all in a trusted authoritative voice Black Enterprise, 1989-12 BLACK ENTERPRISE is the ultimate source for wealth creation for African American professionals entrepreneurs and corporate executives Every month BLACK ENTERPRISE delivers timely useful information on careers small business and personal finance Thieme-Preusser Dictionary of the English and German Languages Friedrich Wilhelm Thieme, 1903 **Wörterbuch der englischen und deutschen Sprache** Friedrich Wilhelm Thieme, 1898 **Thieme-Preusser** Friedrich Wilhelm Thieme, 1903 *The Northwestern Miller*, 1922 **The Timberman**, 1954

This Enthralling Realm of E-book Books: A Comprehensive Guide Unveiling the Advantages of E-book Books: A World of Ease and Flexibility Kindle books, with their inherent portability and simplicity of availability, have liberated readers from the limitations of hardcopy books. Gone are the days of carrying bulky novels or meticulously searching for specific titles in shops. E-book devices, sleek and portable, effortlessly store an wide library of books, allowing readers to immerse in their preferred reads anytime, anywhere. Whether traveling on a bustling train, lounging on a sunny beach, or simply cozying up in bed, E-book books provide an exceptional level of convenience. A Reading World Unfolded: Discovering the Wide Array of E-book Ge Double Wall Oven Manual Ge Double Wall Oven Manual The E-book Shop, a virtual treasure trove of bookish gems, boasts an wide collection of books spanning diverse genres, catering to every readers taste and preference. From captivating fiction and mind-stimulating non-fiction to classic classics and modern bestsellers, the E-book Store offers an exceptional variety of titles to explore. Whether looking for escape through engrossing tales of imagination and adventure, diving into the depths of past narratives, or broadening ones understanding with insightful works of scientific and philosophy, the E-book Shop provides a doorway to a literary world brimming with endless possibilities. A Transformative Force in the Literary Landscape: The Lasting Influence of Kindle Books Ge Double Wall Oven Manual The advent of Kindle books has certainly reshaped the literary scene, introducing a paradigm shift in the way books are published, disseminated, and read. Traditional publication houses have embraced the digital revolution, adapting their approaches to accommodate the growing demand for e-books. This has led to a rise in the availability of Kindle titles, ensuring that readers have entry to a vast array of literary works at their fingertips. Moreover, Kindle books have democratized access to literature, breaking down geographical barriers and offering readers worldwide with similar opportunities to engage with the written word. Regardless of their location or socioeconomic background, individuals can now immerse themselves in the captivating world of books, fostering a global community of readers. Conclusion: Embracing the Kindle Experience Ge Double Wall Oven Manual Kindle books Ge Double Wall Oven Manual, with their inherent convenience, versatility, and vast array of titles, have unquestionably transformed the way we encounter literature. They offer readers the freedom to discover the limitless realm of written expression, whenever, everywhere. As we continue to travel the ever-evolving online scene, E-book books stand as testament to the persistent power of storytelling, ensuring that the joy of reading remains reachable to all.

https://staging.conocer.cide.edu/data/virtual-library/index.jsp/I_Fly_Like_A_Bird.pdf

Table of Contents Ge Double Wall Oven Manual

1. Understanding the eBook Ge Double Wall Oven Manual
 - The Rise of Digital Reading Ge Double Wall Oven Manual
 - Advantages of eBooks Over Traditional Books
2. Identifying Ge Double Wall Oven Manual
 - Exploring Different Genres
 - Considering Fiction vs. Non-Fiction
 - Determining Your Reading Goals
3. Choosing the Right eBook Platform
 - Popular eBook Platforms
 - Features to Look for in an Ge Double Wall Oven Manual
 - User-Friendly Interface
4. Exploring eBook Recommendations from Ge Double Wall Oven Manual
 - Personalized Recommendations
 - Ge Double Wall Oven Manual User Reviews and Ratings
 - Ge Double Wall Oven Manual and Bestseller Lists
5. Accessing Ge Double Wall Oven Manual Free and Paid eBooks
 - Ge Double Wall Oven Manual Public Domain eBooks
 - Ge Double Wall Oven Manual eBook Subscription Services
 - Ge Double Wall Oven Manual Budget-Friendly Options
6. Navigating Ge Double Wall Oven Manual eBook Formats
 - ePub, PDF, MOBI, and More
 - Ge Double Wall Oven Manual Compatibility with Devices
 - Ge Double Wall Oven Manual Enhanced eBook Features
7. Enhancing Your Reading Experience
 - Adjustable Fonts and Text Sizes of Ge Double Wall Oven Manual
 - Highlighting and Note-Taking Ge Double Wall Oven Manual
 - Interactive Elements Ge Double Wall Oven Manual
8. Staying Engaged with Ge Double Wall Oven Manual

- Joining Online Reading Communities
 - Participating in Virtual Book Clubs
 - Following Authors and Publishers Ge Double Wall Oven Manual
9. Balancing eBooks and Physical Books Ge Double Wall Oven Manual
- Benefits of a Digital Library
 - Creating a Diverse Reading Collection Ge Double Wall Oven Manual
10. Overcoming Reading Challenges
- Dealing with Digital Eye Strain
 - Minimizing Distractions
 - Managing Screen Time
11. Cultivating a Reading Routine Ge Double Wall Oven Manual
- Setting Reading Goals Ge Double Wall Oven Manual
 - Carving Out Dedicated Reading Time
12. Sourcing Reliable Information of Ge Double Wall Oven Manual
- Fact-Checking eBook Content of Ge Double Wall Oven Manual
 - Distinguishing Credible Sources
13. Promoting Lifelong Learning
- Utilizing eBooks for Skill Development
 - Exploring Educational eBooks
14. Embracing eBook Trends
- Integration of Multimedia Elements
 - Interactive and Gamified eBooks

Ge Double Wall Oven Manual Introduction

In today's digital age, the availability of Ge Double Wall Oven Manual books and manuals for download has revolutionized the way we access information. Gone are the days of physically flipping through pages and carrying heavy textbooks or manuals. With just a few clicks, we can now access a wealth of knowledge from the comfort of our own homes or on the go. This article will explore the advantages of Ge Double Wall Oven Manual books and manuals for download, along with some popular platforms that offer these resources. One of the significant advantages of Ge Double Wall Oven Manual books and manuals for download is the cost-saving aspect. Traditional books and manuals can be costly, especially if you need to purchase

several of them for educational or professional purposes. By accessing Ge Double Wall Oven Manual versions, you eliminate the need to spend money on physical copies. This not only saves you money but also reduces the environmental impact associated with book production and transportation. Furthermore, Ge Double Wall Oven Manual books and manuals for download are incredibly convenient. With just a computer or smartphone and an internet connection, you can access a vast library of resources on any subject imaginable. Whether you're a student looking for textbooks, a professional seeking industry-specific manuals, or someone interested in self-improvement, these digital resources provide an efficient and accessible means of acquiring knowledge. Moreover, PDF books and manuals offer a range of benefits compared to other digital formats. PDF files are designed to retain their formatting regardless of the device used to open them. This ensures that the content appears exactly as intended by the author, with no loss of formatting or missing graphics. Additionally, PDF files can be easily annotated, bookmarked, and searched for specific terms, making them highly practical for studying or referencing. When it comes to accessing Ge Double Wall Oven Manual books and manuals, several platforms offer an extensive collection of resources. One such platform is Project Gutenberg, a nonprofit organization that provides over 60,000 free eBooks. These books are primarily in the public domain, meaning they can be freely distributed and downloaded. Project Gutenberg offers a wide range of classic literature, making it an excellent resource for literature enthusiasts. Another popular platform for Ge Double Wall Oven Manual books and manuals is Open Library. Open Library is an initiative of the Internet Archive, a non-profit organization dedicated to digitizing cultural artifacts and making them accessible to the public. Open Library hosts millions of books, including both public domain works and contemporary titles. It also allows users to borrow digital copies of certain books for a limited period, similar to a library lending system. Additionally, many universities and educational institutions have their own digital libraries that provide free access to PDF books and manuals. These libraries often offer academic texts, research papers, and technical manuals, making them invaluable resources for students and researchers. Some notable examples include MIT OpenCourseWare, which offers free access to course materials from the Massachusetts Institute of Technology, and the Digital Public Library of America, which provides a vast collection of digitized books and historical documents. In conclusion, Ge Double Wall Oven Manual books and manuals for download have transformed the way we access information. They provide a cost-effective and convenient means of acquiring knowledge, offering the ability to access a vast library of resources at our fingertips. With platforms like Project Gutenberg, Open Library, and various digital libraries offered by educational institutions, we have access to an ever-expanding collection of books and manuals. Whether for educational, professional, or personal purposes, these digital resources serve as valuable tools for continuous learning and self-improvement. So why not take advantage of the vast world of Ge Double Wall Oven Manual books and manuals for download and embark on your journey of knowledge?

FAQs About Ge Double Wall Oven Manual Books

1. Where can I buy Ge Double Wall Oven Manual books? Bookstores: Physical bookstores like Barnes & Noble, Waterstones, and independent local stores. Online Retailers: Amazon, Book Depository, and various online bookstores offer a wide range of books in physical and digital formats.
2. What are the different book formats available? Hardcover: Sturdy and durable, usually more expensive. Paperback: Cheaper, lighter, and more portable than hardcovers. E-books: Digital books available for e-readers like Kindle or software like Apple Books, Kindle, and Google Play Books.
3. How do I choose a Ge Double Wall Oven Manual book to read? Genres: Consider the genre you enjoy (fiction, non-fiction, mystery, sci-fi, etc.). Recommendations: Ask friends, join book clubs, or explore online reviews and recommendations. Author: If you like a particular author, you might enjoy more of their work.
4. How do I take care of Ge Double Wall Oven Manual books? Storage: Keep them away from direct sunlight and in a dry environment. Handling: Avoid folding pages, use bookmarks, and handle them with clean hands. Cleaning: Gently dust the covers and pages occasionally.
5. Can I borrow books without buying them? Public Libraries: Local libraries offer a wide range of books for borrowing. Book Swaps: Community book exchanges or online platforms where people exchange books.
6. How can I track my reading progress or manage my book collection? Book Tracking Apps: Goodreads, LibraryThing, and Book Catalogue are popular apps for tracking your reading progress and managing book collections. Spreadsheets: You can create your own spreadsheet to track books read, ratings, and other details.
7. What are Ge Double Wall Oven Manual audiobooks, and where can I find them? Audiobooks: Audio recordings of books, perfect for listening while commuting or multitasking. Platforms: Audible, LibriVox, and Google Play Books offer a wide selection of audiobooks.
8. How do I support authors or the book industry? Buy Books: Purchase books from authors or independent bookstores. Reviews: Leave reviews on platforms like Goodreads or Amazon. Promotion: Share your favorite books on social media or recommend them to friends.
9. Are there book clubs or reading communities I can join? Local Clubs: Check for local book clubs in libraries or community centers. Online Communities: Platforms like Goodreads have virtual book clubs and discussion groups.
10. Can I read Ge Double Wall Oven Manual books for free? Public Domain Books: Many classic books are available for free as they're in the public domain. Free E-books: Some websites offer free e-books legally, like Project Gutenberg or Open Library.

Find Ge Double Wall Oven Manual :

~~i fly like a bird~~

~~i can learn rhyming reading flashcards~~

~~i never saw a purple cow and other nonsense poems~~

~~i cieli della sera~~

~~i can write my abcs~~

~~i love fishing~~

~~i only like what i like~~

~~i like pets scott foresman reading~~

~~i shudder at your touch 22 tales of sex~~

~~i ching the of changes~~

~~i remember the oneroom school~~

~~i search for rainbows.~~

i piccoli maestri

i live where eagles soar

i turn to the light

Ge Double Wall Oven Manual :

Marketing Estrategico - 3b: Edicion (Spanish Edition) Marketing Estrategico - 3b: Edicion (Spanish Edition) ; US\$16.99 ; Seguridad del juguete. Nuestra edad recomendada: ; Idioma, Español ; ISBN-10, 8448116119 ; ISBN- ... Marketing estratégico y operativo (Spanish Edition) ... McGraw-Hill Interamericana Editores S.A. de C.V.; 2nd edición (11 Mayo 2009). Idioma, Español. Tapa blanda, 620 páginas. ISBN-10, 970106710X. ISBN-13, 978 ... Marketing Estrategico Lambin Mcgraw Hill 3ra Edicion Pdf Page 1. Marketing Estrategico Lambin Mcgraw Hill 3ra. Edicion Pdf. INTRODUCTION Marketing Estrategico Lambin Mcgraw Hill. 3ra Edicion Pdf [PDF] marketing estrategico. 3 edicion MARKETING ESTRATEGICO. 3 EDICION. LAMBIN, JEAN JACQUES. 45,95 €. IVA incluido. No disponible Pregúntanos antes de pagar. Editorial: MCGRAW-HILL; Materia ... Libro-Marketing-Estrategico-lambin-jean-jacques MARKETING ESTRATÉGICO -OBJETIVO.-un análisis sistemático y permanente de las necesidades del mercado y el desarrollo de conceptos de productos rentables ... Marketing Estrategico Lambin Mcgraw Hill 3ra Edicion Diagnóstico del marketing del producto Golf en la instalación ... - Gestipolis. Planificación Estratégica de Marketing para un negocio - Gestipolis. MARKETING ESTRATEGICO 3ª ED - JEAN JACQUES ...

Jean Jacques Lambin. Editorial, McGraw-Hill Interamericana de España S.L.. Edición, 1. ed.(01/07/1995). Páginas, 608. Dimensiones, 24x17 cm. Idioma, Español. MARKETING ESTRATEGICO | JEAN JACQUES LAMBIN Sinopsis de MARKETING ESTRATEGICO ; Encuadernación: Tapa blanda ; ISBN: 9788473563529 ; Año de edición: 2003 ; Plaza de edición: ESPAÑA ; Fecha de lanzamiento: 07/10 ... Marketing estratégico Madrid: McGraw-Hill, 1995; Edición: 3a. ed. Notas: -- Edición traducida por Salvador Miquel y Antonio Carlos Cuenca. Revisado por Jaime Rivera y Nora Lado ... Australian National Curriculum Checklists For Progression Points Knowledge at the Crossroads? Australian Bird Names. Teaching for Numeracy Across the Age Range. Australian Curriculum English. K-2 Number Activities. Australian curriculum checklist This bundle of editable Australian Curriculum Assessment Checklists for Year 3 will make your planning and assessment simple and ... National Literacy and Numeracy Learning Progressions In the Australian Curriculum, learning area content describes the knowledge, understanding and skills that are to be taught in each year or band of years. National Literacy Learning Progression The progression has not been designed as a checklist and does not replace the Australian Curriculum: English. Each sub-element has been mapped to the year level ... Australian Curriculum Mathematics Assessment Checklists ... Progression Point by the end of the term/year. Each checklist is broken up into the ACARA Australian Curriculum Mathematics Content Strands and Sub Strands ... Australian curriculum assessment checklist ... assessment checklist linked to AusVELs progression points for reading and viewing. Subjects: Reading. Grades: 2nd - 6th. Types: Assessment. Year 4 Maths National Curriculum Assessment Checklist Track pupil knowledge against the Maths National Curriculum for year 4 with this handy checklist, which includes Ready-to-Progress criteria on a separate ... National Literacy Learning Progression The progression amplifies the literacy skills in the. Australian Curriculum: English, particularly in the Language and Literacy strands, and is organised by ... Australian Curriculum Mathematics Assessment Checklists Australian Curriculum ~ Australian Assessment: These Australian Curriculum Mathematics Checklists are designed to make your assessment A LOT easier! Pages - Literacy learning progressions The need to develop national Literacy and Numeracy Progressions was identified by all Australian education ministers in December 2015. The Australian Curriculum ... Oxford Bookworms Library: Orca | United States But one day, they meet an orca - a killer whale - one of the most dangerous animals in the sea. And life gets a little too exciting. Part of: Oxford Bookworms ... Oxford Bookworms Library Starter Level: Orca e-book But one day, they meet an orca - a killer whale - one of the most dangerous animals in the sea. And life gets a little too exciting. CEFR A1 Word count 1,600. Orca (Oxford Bookworms Starters) - Amazon.com But one day, they meet an orca and#150; a killer whale and#150; one of the most dangerous animals in the sea. And life gets a little too exciting. Oxford Bookworms Starter. Orca MP3 Pack Oxford Bookworms Starter. Orca MP3 Pack. 3rd Revised edition Edition. ISBN-13: 978-0194620307, ISBN-10: 0194620301. 4.6 4.6 out of 5 stars 11 Reviews. Orca Starter Level Oxford Bookworms Library But one day, they meet an orca - a killer whale - one of the most dangerous animals in the sea. And life gets a little too exciting. Orca Starter Level Oxford

Bookworms Library When Tonya and her friends decide to sail around the world they want to see exciting things and visit exciting places. But one day, they meet an orca - a killer ... Oxford Bookworms Library: Starter Level:: Orca Word count 1600 Suitable for young learners - Oxford Bookworms Library: Starter Level:: Orca. ... 5. Oxford Bookworms Library: Starter Level:: Orca. 148 ratings ... Oxford Bookworms Library: Orca: Starter: 250-Word ... Oxford Bookworms Library: Orca: Starter: 250-Word Vocabulary · Paperback(New Edition) · \$11.00. Oxford Bookworms Library Orca Starter 250-Word ... Oxford Bookworms Library Orca Starter 250-Word Vocabulary Oxf ; Quantity. 9 available ; Item Number. 305164972930 ; ISBN. 9780194234245 ; Book Title. Oxford ...