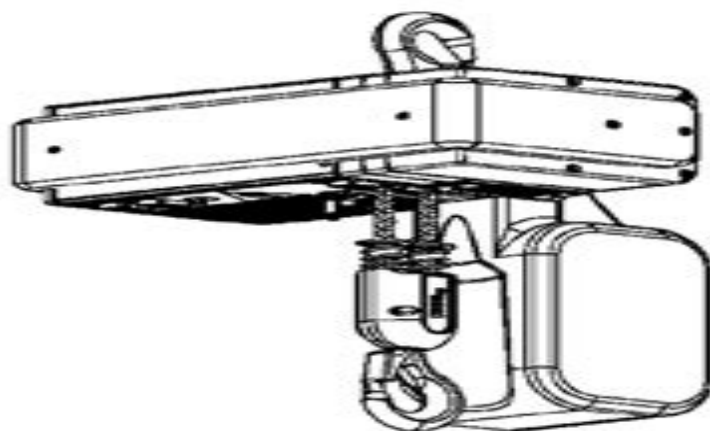


# INSTALLATION AND MAINTENANCE MANUAL XN CHAIN HOIST

## XN10 CHAIN HOIST

English  
STD-K-KHA-F-CQD-ENG



# Kone Cranes Installation Manual

**Joacim Rocklöv**



## **Kone Cranes Installation Manual:**

Recognizing the way ways to acquire this book **Kone Cranes Installation Manual** is additionally useful. You have remained in right site to start getting this info. get the Kone Cranes Installation Manual associate that we have enough money here and check out the link.

You could buy lead Kone Cranes Installation Manual or acquire it as soon as feasible. You could quickly download this Kone Cranes Installation Manual after getting deal. So, when you require the ebook swiftly, you can straight acquire it. Its appropriately agreed easy and so fats, isnt it? You have to favor to in this spread

<https://staging.conocer.cide.edu/book/publication/default.aspx/II%20Tribunale%20Delle%20Anime.pdf>

## **Table of Contents Kone Cranes Installation Manual**

1. Understanding the eBook Kone Cranes Installation Manual
  - The Rise of Digital Reading Kone Cranes Installation Manual
  - Advantages of eBooks Over Traditional Books
2. Identifying Kone Cranes Installation Manual
  - Exploring Different Genres
  - Considering Fiction vs. Non-Fiction
  - Determining Your Reading Goals
3. Choosing the Right eBook Platform
  - Popular eBook Platforms
  - Features to Look for in an Kone Cranes Installation Manual
  - User-Friendly Interface
4. Exploring eBook Recommendations from Kone Cranes Installation Manual
  - Personalized Recommendations
  - Kone Cranes Installation Manual User Reviews and Ratings
  - Kone Cranes Installation Manual and Bestseller Lists
5. Accessing Kone Cranes Installation Manual Free and Paid eBooks

- Kone Cranes Installation Manual Public Domain eBooks
  - Kone Cranes Installation Manual eBook Subscription Services
  - Kone Cranes Installation Manual Budget-Friendly Options
6. Navigating Kone Cranes Installation Manual eBook Formats
    - ePub, PDF, MOBI, and More
    - Kone Cranes Installation Manual Compatibility with Devices
    - Kone Cranes Installation Manual Enhanced eBook Features
  7. Enhancing Your Reading Experience
    - Adjustable Fonts and Text Sizes of Kone Cranes Installation Manual
    - Highlighting and Note-Taking Kone Cranes Installation Manual
    - Interactive Elements Kone Cranes Installation Manual
  8. Staying Engaged with Kone Cranes Installation Manual
    - Joining Online Reading Communities
    - Participating in Virtual Book Clubs
    - Following Authors and Publishers Kone Cranes Installation Manual
  9. Balancing eBooks and Physical Books Kone Cranes Installation Manual
    - Benefits of a Digital Library
    - Creating a Diverse Reading Collection Kone Cranes Installation Manual
  10. Overcoming Reading Challenges
    - Dealing with Digital Eye Strain
    - Minimizing Distractions
    - Managing Screen Time
  11. Cultivating a Reading Routine Kone Cranes Installation Manual
    - Setting Reading Goals Kone Cranes Installation Manual
    - Carving Out Dedicated Reading Time
  12. Sourcing Reliable Information of Kone Cranes Installation Manual
    - Fact-Checking eBook Content of Kone Cranes Installation Manual
    - Distinguishing Credible Sources
  13. Promoting Lifelong Learning
    - Utilizing eBooks for Skill Development

- Exploring Educational eBooks
14. Embracing eBook Trends
- Integration of Multimedia Elements
  - Interactive and Gamified eBooks

### **Kone Cranes Installation Manual Introduction**

In this digital age, the convenience of accessing information at our fingertips has become a necessity. Whether its research papers, eBooks, or user manuals, PDF files have become the preferred format for sharing and reading documents. However, the cost associated with purchasing PDF files can sometimes be a barrier for many individuals and organizations. Thankfully, there are numerous websites and platforms that allow users to download free PDF files legally. In this article, we will explore some of the best platforms to download free PDFs. One of the most popular platforms to download free PDF files is Project Gutenberg. This online library offers over 60,000 free eBooks that are in the public domain. From classic literature to historical documents, Project Gutenberg provides a wide range of PDF files that can be downloaded and enjoyed on various devices. The website is user-friendly and allows users to search for specific titles or browse through different categories. Another reliable platform for downloading Kone Cranes Installation Manual free PDF files is Open Library. With its vast collection of over 1 million eBooks, Open Library has something for every reader. The website offers a seamless experience by providing options to borrow or download PDF files. Users simply need to create a free account to access this treasure trove of knowledge. Open Library also allows users to contribute by uploading and sharing their own PDF files, making it a collaborative platform for book enthusiasts. For those interested in academic resources, there are websites dedicated to providing free PDFs of research papers and scientific articles. One such website is Academia.edu, which allows researchers and scholars to share their work with a global audience. Users can download PDF files of research papers, theses, and dissertations covering a wide range of subjects. Academia.edu also provides a platform for discussions and networking within the academic community. When it comes to downloading Kone Cranes Installation Manual free PDF files of magazines, brochures, and catalogs, Issuu is a popular choice. This digital publishing platform hosts a vast collection of publications from around the world. Users can search for specific titles or explore various categories and genres. Issuu offers a seamless reading experience with its user-friendly interface and allows users to download PDF files for offline reading. Apart from dedicated platforms, search engines also play a crucial role in finding free PDF files. Google, for instance, has an advanced search feature that allows users to filter results by file type. By specifying the file type as "PDF," users can find websites that offer free PDF downloads on a specific topic. While downloading Kone Cranes Installation Manual free PDF files is convenient, its important to note that copyright laws must be respected. Always ensure that the PDF files you download are

legally available for free. Many authors and publishers voluntarily provide free PDF versions of their work, but its essential to be cautious and verify the authenticity of the source before downloading Kone Cranes Installation Manual. In conclusion, the internet offers numerous platforms and websites that allow users to download free PDF files legally. Whether its classic literature, research papers, or magazines, there is something for everyone. The platforms mentioned in this article, such as Project Gutenberg, Open Library, Academia.edu, and Issuu, provide access to a vast collection of PDF files. However, users should always be cautious and verify the legality of the source before downloading Kone Cranes Installation Manual any PDF files. With these platforms, the world of PDF downloads is just a click away.

### FAQs About Kone Cranes Installation Manual Books

**What is a Kone Cranes Installation Manual PDF?** A PDF (Portable Document Format) is a file format developed by Adobe that preserves the layout and formatting of a document, regardless of the software, hardware, or operating system used to view or print it. **How do I create a Kone Cranes Installation Manual PDF?** There are several ways to create a PDF: Use software like Adobe Acrobat, Microsoft Word, or Google Docs, which often have built-in PDF creation tools. Print to PDF: Many applications and operating systems have a "Print to PDF" option that allows you to save a document as a PDF file instead of printing it on paper. Online converters: There are various online tools that can convert different file types to PDF. **How do I edit a Kone Cranes Installation Manual PDF?** Editing a PDF can be done with software like Adobe Acrobat, which allows direct editing of text, images, and other elements within the PDF. Some free tools, like PDFescape or Smallpdf, also offer basic editing capabilities. **How do I convert a Kone Cranes Installation Manual PDF to another file format?** There are multiple ways to convert a PDF to another format: Use online converters like Smallpdf, Zamzar, or Adobe Acrobats export feature to convert PDFs to formats like Word, Excel, JPEG, etc. Software like Adobe Acrobat, Microsoft Word, or other PDF editors may have options to export or save PDFs in different formats. **How do I password-protect a Kone Cranes Installation Manual PDF?** Most PDF editing software allows you to add password protection. In Adobe Acrobat, for instance, you can go to "File" -> "Properties" -> "Security" to set a password to restrict access or editing capabilities. Are there any free alternatives to Adobe Acrobat for working with PDFs? Yes, there are many free alternatives for working with PDFs, such as: LibreOffice: Offers PDF editing features. PDFsam: Allows splitting, merging, and editing PDFs. Foxit Reader: Provides basic PDF viewing and editing capabilities. How do I compress a PDF file? You can use online tools like Smallpdf, ILovePDF, or desktop software like Adobe Acrobat to compress PDF files without significant quality loss. Compression reduces the file size, making it easier to share and download. Can I fill out forms in a PDF file? Yes, most PDF viewers/editors like Adobe Acrobat, Preview (on Mac), or various online tools allow you to fill out forms in PDF files by selecting text fields

and entering information. Are there any restrictions when working with PDFs? Some PDFs might have restrictions set by their creator, such as password protection, editing restrictions, or print restrictions. Breaking these restrictions might require specific software or tools, which may or may not be legal depending on the circumstances and local laws.

### **Find Kone Cranes Installation Manual :**

[il tribunale delle anime](#)

~~[illinois leasing agent license practice exam](#)~~

~~[igcse physics past papers for grade 9](#)~~

**illinois fish dichotomous key**

**illustrated position guide**

[illinois constitution test study guide 2014](#)

**igfxcui manual registry removal instructions**

**iiui entry test sample papers**

**ilive sound bar instruction manual**

~~[ihed ambulance service basic training manual](#)~~

*illuminating disease an introduction to green fluorescent proteins*

[igcse ict november 2paper 3](#)

**il ne faut pas**

[igcse chemistry past papers multiple choice](#)

**igloo fr320b user guide**

### **Kone Cranes Installation Manual :**

*handbook of optomechanical engineering* - Aug 27 2022

web this comprehensive handbook covers all major aspects of optomechanical engineering from conceptual design to fabrication and integration of complex optical systems the practical information within is ideal for optical and optomechanical engineers and scientists involved in the design development and integration of modern optical systems for

**handbook of optomechanical engineering google books** - Oct 29 2022

web dec 20 1996 this is the first handbook on the subject of optomechanical engineering a subject that has become very important in the area of optics during the last decade covering all major aspects of



**handbook of optomechanical engineering 2nd edition anees** - Jul 06 2023

web this comprehensive handbook covers all major aspects of optomechanical engineering from conceptual design to fabrication and integration of complex optical systems the practical information within is ideal for optical and optomechanical engineers and scientists involved in the design development and integration of modern optical systems for

**handbook of optomechanical engineering** - Feb 01 2023

web 176 handbook of optomechanical engineering the mirror bending or drumhead frequency  $f_n$  is proportional to mirror self weight deflection  $1/2$  and assuming that the mirror thickness is a variable the scaling relationship for mirror mass at constant deflection or frequency is  $3$  as follows  $w_d \propto e w_d f_c^4 32 05 4 3 11$  a na deflection  $1/2 05$

**handbook of optomechanical engineering routledge handbooks** - Mar 02 2023

web handbook of optomechanical engineering anees ahmad optomechanical engineering basics publication details routledgehandbooks.com doi 10.4324/9781315153247.1 robert parks ron willey Frédéric Lamontagne published online on 13 jun 2017 how to cite robert

**handbook of optomechanical engineering** - Dec 31 2022

web 414 handbook of optomechanical engineering the influence coefficients that form the optomechanical constraint equations are determined from both the intrinsic imaging properties of the lenses and from the way that they are used in the system  $1/2$  coordinate systems and sign conventions  $1/2 1$  lens prescription

handbook of optomechanical engineering optical sciences and - Jul 26 2022

web jun 13 2017 buy handbook of optomechanical engineering optical sciences and applications of light on amazon.com free shipping on qualified orders handbook of optomechanical engineering optical sciences and applications of light ahmad anees 9781498761482 amazon.com books

**d r** - Jun 24 2022

web binlerce kitap teknoloji ürünü hediye müzik ve daha fazlası indirim kampanyalarıyla kültür sanat ve eğlence dünyası d r da

*handbook of optomechanical engineering optical sciences and* - Feb 18 2022

web feb 1 1997 this is the first handbook on the subject of optomechanical engineering a subject that has become very important in the area of optics during the last decade covering all major aspects of optomechanical engineering from conceptual design to fabrication and integration of complex optical systems this handbook is comprehensive

handbook of optomechanical engineering google books - Nov 29 2022

web jul 11 2017 this comprehensive handbook covers all major aspects of optomechanical engineering from conceptual design to fabrication and integration of complex optical systems the practical information within is ideal for optical and

optomechanical engineers and scientists involved in the design development and integration of modern optical  
*handbook of optomechanical engineering open library* - Apr 22 2022

web sep 20 2021 *handbook of optomechanical engineering by anees ahmad 2018 taylor francis group edition in english*

**handbook of optomechanical engineering routledge handbooks** - Sep 08 2023

web this comprehensive handbook covers all major aspects of optomechanical engineering from conceptual design to  
fabrication and integration of complex optical systems the practical information within is ideal for optical and optomechanical  
engineers and scientists involved in the design development and integration of modern optical systems for

**handbook of optomechanical engineering google books** - Mar 22 2022

web this is the first handbook on the subject of optomechanical engineering a subject that has become very important in the  
area of optics during the last decade covering all major aspects of optomechanical engineering from conceptual design to  
fabrication and integration of complex optical systems this handbook is comprehensive

*handbook of optomechanical engineering* - Oct 09 2023

web 208 *handbook of optomechanical engineering 1 7 n o i t c du ro t n i* optical designers and optomechanical engineers  
must work together to develop optical systems performance manufacturability and cost are most often the

*handbook of optomechanical engineering anees ahmad* - Jun 05 2023

web jun 22 2017 this comprehensive handbook covers all major aspects of optomechanical engineering from conceptual  
design to fabrication and integration of complex optical systems the practical information within is ideal for optical and  
optomechanical engineers and scientists involved in the design development and integration of modern optical

**book review handbook of optomechanical engineering spie** - Sep 27 2022

web optical engineering oe publishes peer reviewed papers reporting on research development and applications of optics  
photonics and imaging science and engineering

**handbook of optomechanical engineering routledge handbooks** - Aug 07 2023

web this comprehensive handbook covers all major aspects of optomechanical engineering from conceptual design to  
fabrication and integration of complex optical systems the practical information within is ideal for optical and optomechanical  
engineers and scientists involved in the design development and integration of modern optical systems for

**handbook of optomechanical engineering** - May 04 2023

web 518 *handbook of optomechanical engineering electron beam x ray diffraction and scanning tunneling microscope stm or  
atomic force microprobe afm* are some of the sophisticated inspection tools which might be required to be used it is not easy  
to nd a single skilled person to do all the required tasks when polishing a surface

**handbook of optomechanical engineering worldcat org** - May 24 2022

web summary this is the first handbook on the subject of optomechanical engineering a subject that has become very important in the area of optics over the last decade covering all major aspects of optomechanical engineering from conceptual design to fabrication and integration of complex optical systems this handbook is self contained

**handbook of optomechanical engineering anees ahmad** - Apr 03 2023

web oct 31 2018 handbook of optomechanical engineering anees ahmad anees ahmad pau good optical design is not in itself adequate for optimum performance of optical systems the mechanical design of the optics and associated support structures

**your pelvic floor the inside story education wisdom from pelvic** - Jul 14 2023

web jan 22 2017 an easy to read comprehensive guide to optimal pelvic health function in pregnancy motherhood and menopause gain valuable insight into your pelvic floor from trusted pelvic health professionals around the world print length 69 pages sticky notes

**your pelvic floor the inside story education wisdo david** - Sep 04 2022

web your pelvic floor the inside story education wisdo yeah reviewing a books your pelvic floor the inside story education wisdo could mount up your close contacts listings this is just one of the solutions for you to be successful as understood execution does not suggest that you have wonderful points

[your pelvic floor the inside story education wisdo pdf](#) - Nov 06 2022

web your pelvic floor the inside story education wisdo 1 13 downloaded from uniport edu ng on may 19 2023 by guest your pelvic floor the inside story education wisdo getting the books your pelvic floor the inside story education wisdo now is not type of challenging means you could not isolated going in the same way as

[your pelvic floor the inside story education wisdo pdf](#) - Mar 10 2023

web your pelvic floor heal pelvic pain the proven stretching strengthening and nutrition program for relieving pain incontinence i b s and other symptoms without surgery

[your pelvic floor the inside story education wisdo pdf](#) - Apr 30 2022

web aug 18 2023 your pelvic floor the inside story education wisdo 1 13 downloaded from uniport edu ng on august 18 2023 by guest your pelvic floor the inside story education wisdo as recognized adventure as without difficulty as experience nearly lesson amusement as well as

*your pelvic floor the inside story education wisdo pdf* - Apr 11 2023

web right site to begin getting this info get the your pelvic floor the inside story education wisdo pdf belong to that we have the funds for here and check out the link you could buy lead your pelvic floor the inside story education wisdo pdf or get it as soon as feasible you could speedily download this your pelvic floor the inside story

*pelvic floor anatomy and nerves trivia questions quiz* - Dec 27 2021

web mar 21 2023 do you have the knowledge about the pelvic floor anatomy and nerves the pelvic floor supports the bladder bowel and uterus the quiz below is specifically designed to help you see just how much you got to understand give it a try and be sure to keep an eye out for the other quizzes like it all the best questions and answers 1

*your pelvic floor the inside story education wisdom from pelvic* - Aug 15 2023

web jan 25 2017 your pelvic floor the inside story education wisdom from pelvic health professionals across the globe vopni kim on amazon com free shipping on qualifying offers your pelvic floor the inside story education wisdom from pelvic health professionals across the globe

your pelvic floor the inside story education wisdo - Jan 08 2023

web of working life and professional practice inside a further education institution with the flexibility to explore every topic essential to the student teacher from professionalism differentiation and inclusion to behaviour management and student teacher relationships

**your pelvic floor the inside story education wisdo pdf** - Jun 01 2022

web aug 2 2023 behaviour and substance misuse along with education and preventative strategies it also features other adolescent health problems such as self harm eating disorders and psychosomatic presentations this book is a

**the pelvic floor structure function muscles** - Dec 07 2022

web jan 19 2023 the pelvic floor is a funnel shaped structure it attaches to the walls of the lesser pelvis separating the pelvic cavity from the perineum inferiorly region which includes the genitalia and anus in order to allow for urination and defecation there are a few gaps in the pelvic floor there are two holes that have significance

your pelvic floor the inside story education wisdo download - Mar 30 2022

web your pelvic floor the inside story education wisdo primary education apr 24 2022 talking sense in science nov 19 2021 talking sense in science is a highly practical guide to getting the most out of primary science lessons through talking with children this clearly written and straightforward book helps teachers to support understanding by

**your pelvic floor the inside story education wisdo isa herrera** - Jun 13 2023

web kindly say the your pelvic floor the inside story education wisdo is universally compatible with any devices to read oxford handbook of clinical examination and practical skills james thomas 2014 07 03

have your say your pelvic floor story your pelvic floor - Feb 09 2023

web having a problem like prolapse or incontinence can be humiliating and upsetting you may have experienced a sense of shame embarrassment or even fear pelvic floor disorders are a personal issue and many women are afraid to seek help or are unaware that they can be helped these problems are common but not often discussed

your pelvic floor the inside story education wisdo pdf - Aug 03 2022

web jul 31 2023 pelvic pain explained stephanie a prendergast 2017 11 28 pelvic pain is more ubiquitous than most people think and yet many suffer in silence because they don t know there is help or they are too embarrassed to seek it this book looks at the variety of problems that can lead to pelvic pain and how to address the issues when they arise

*the pelvic floor what it is and how to care for it kcm* - Oct 05 2022

web oct 6 2021 in a seated position slowly inhale through the nose and allow the rib cage to expand the pelvic floor will lengthen to accommodate the expanded rib cage then when you slowly exhale the pelvic floor will contract to help release the air roup says that even while she was still in the hospital after giving birth she was doing these breathing

**your pelvic floor the inside story education wisdo a stewart** - Feb 26 2022

web feb 27 2023 your pelvic floor the inside story education wisdo is available in our digital library an online access to it is set as public so you can get it instantly our book servers hosts in multiple locations allowing you to get the most less latency time to download any of

**your pelvic floor the inside story education wisdo copy** - Jan 28 2022

web jun 17 2023 your pelvic floor the inside story education wisdo 2 10 downloaded from uniport edu ng on june 17 2023 by guest body matters darca lee nicholson bfa ma cmt 2007 imagination heather edwards 2020 04 19 this is the third coloring book in the crotch enthusiast series the first book important parts a coloring book for the crotch

*your pelvic floor the inside story education wisdom from pelvic* - May 12 2023

web the pelvic floor is a part of the body that you can t see and is often not thought about until there is a problem because the pelvic floor is so central to daily life it can become the only thing a woman thinks about when things aren t working as they should

**your pelvic floor the inside story education wisdo yvonne k** - Jul 02 2022

web 4730486 your pelvic floor the inside story education wisdo 2 7 downloaded from robbinsmanuscripts berkeley edu on by guest by body systems and specific diseases complications atul gawande 2003 04 01 a brilliant and courageous doctor reveals in gripping accounts of true cases the power and limits of modern medicine sometimes in

ucmas arkis abacus calculation flashcards quizlet - Mar 03 2023

web jan 15 2020 ucmas petros efthymiou 1 downloads everyone info about this app arrow forward set how many flash cards you want to see set the number of digits and

**ucmas cy gr apk for android download apkpure com** - May 25 2022

web most common ucmas abbreviation full forms updated in october 2023 suggest ucmas meaning what does ucmas mean as an abbreviation 4 popular meanings of ucmas

ucmas cyprus ucmas english speakers - Jan 01 2023

web read reviews compare customer ratings see screenshots and learn more about ucmas cy gr download ucmas cy gr and enjoy it on your iphone ipad and ipod touch

**flash ucmas canada** - Mar 23 2022

web displaying all worksheets related to ucmas worksheets are ucmas qatar educational center level 5 ucmas qatar educational center abacus and mental work 4 ucmas

**ucmas** - Jun 25 2022

web rank abbr meaning ucmas universal concept of mental arithmetic system ucmas universal chinese mental arithmetic system new search suggest new definition 2

ucmas cyprus flash cards app - May 05 2023

web ucmas cyprus flash cards app if you are english speaker and you want to buy the ucmas flash cards app click here Βήμα 1 Πληρωμή Ο κωδικός επιβεβαίωσης

**ucmas cyprus flash cards app** - Jul 07 2023

web 10 per device for one year set the number of digits set the speed set the number of flash cards records your voice so that you can check if you are correct buy now step 2

**ucmas cy gr latest version for android download apk** - Jul 27 2022

web feb 4 2023 enquire now 1877 ucmas 90 register today we are hiring about us abacus math program philosophy mission vision statement awards recognition

**ucmas basic pdf leisure scribd** - Apr 23 2022

web nov 10 2023 gms flash alert 2023 208 following the introduction of the new european union directive 2021 1883 1 concerning conditions of entry and stay for highly qualified

**ucmas library** - Aug 08 2023

web member login login

ucmas cy gr on the app store - Sep 28 2022

web may 4 2023 increase ucmas skills by practising ucmas flash cards set how many flash cards you want to see set the number of digits and the flash speed what s new

*ucmas abacus mental arithmetic* - Feb 02 2023

web improving observational and listening skills with the help of the flash cards ucmas students train their observation skills by taking millisecond glimpses at the image the

*ucmas flashcards flashcards quizlet* - Sep 09 2023

web oct 22 2023 ucmas flashcards flash card 1 click the card to flip 65 click the card to flip 1 10 flashcards learn test match

q chat created by shahida sharif

[ucmas definition by acronymfinder](#) - Feb 19 2022

web enquire now 1877 ucmas 90 register today we are hiring about us abacus math program philosophy mission vision statement awards recognition canada

**ucmas student app apps on google play** - Aug 28 2022

web ucmas vietnam question paper 2022 08 06 16 33 35 thanh anzan exercises vlkx8b anzan exercises vlkx8b aamir b level school papers b level school

[ucmas apps on google play](#) - Nov 30 2022

web may 3 2023 ucmas cy gr currently has 30 reviews with average vote value 4.9 set how many flash cards you want to see set the number of digits and the flash speed

**ucmas flash cards flashcards quizlet** - Jun 06 2023

web 1 click the card to flip 1245 click the card to flip 1 10 flashcards learn test match created by dalalkaa teacher good luck terms in this set 10 1 1245 2 5138 3 7569

**ucmas flashcards quizlet** - Oct 10 2023

web ucmas small friends 1 click the card to flip 5 4 click the card to flip 1 34 flashcards learn test match q chat goraptors88 top creator on quizlet small friends terms in this

**ucmas thaka** - Oct 30 2022

web toggle navigation username online

*flash card icon ucmas canada* - Oct 18 2021

**ucmas worksheets lesson worksheets** - Nov 18 2021

**ucmas cy gr apps on google play** - Apr 04 2023

web calculate by using abacus beads basic intermediate b learn with flashcards games and more for free

**ucmas meanings what does ucmas stand for all acronyms** - Jan 21 2022

**it new eu blue card rules kpmg global** - Dec 20 2021