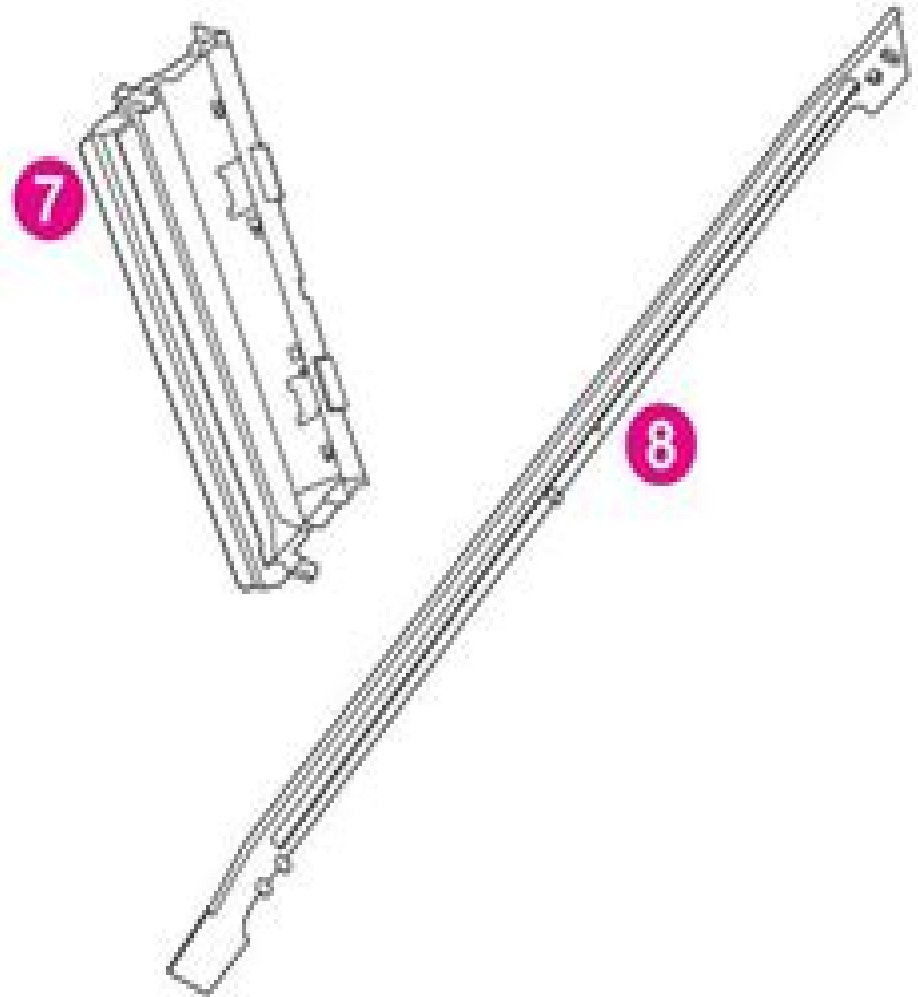
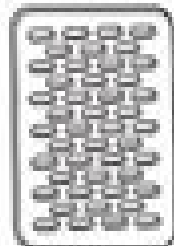
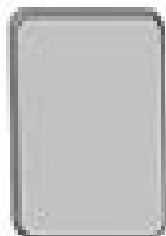
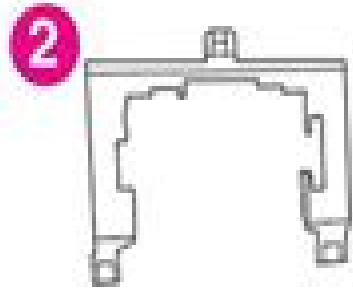
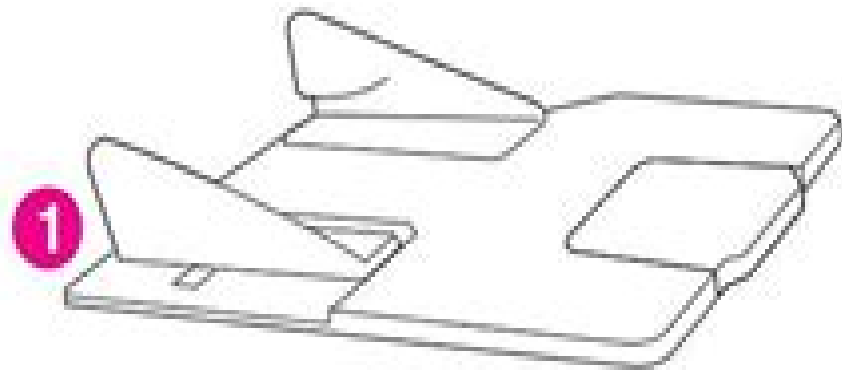


Customer-replaceable components (ADF and scanner)



Hp Laserjet 4345 Mfp User Guide

JE Gale



Hp Laserjet 4345 Mfp User Guide:

InfoWorld ,2005-11-14 InfoWorld is targeted to Senior IT professionals Content is segmented into Channels and Topic Centers InfoWorld also celebrates people companies and projects **PC Mag** ,2006-05-23 PCMag com is a leading authority on technology delivering Labs based independent reviews of the latest products and services Our expert industry analysis and practical solutions help you make better buying decisions and get more from technology Microsoft Project 2010 Step by Step Carl S. Chatfield,Timothy D. Johnson,2010 Microsoft Project 2010 offers flexibility and choice for individuals teams and the enterprise to effectively manage all types of work from simple tasks to complex projects and programs PC Mag ,2005-04-26 PCMag com is a leading authority on technology delivering Labs based independent reviews of the latest products and services Our expert industry analysis and practical solutions help you make better buying decisions and get more from technology **Golf Business** ,2005 PC Magazine ,2006 **Focus** ,2005 Der Spiegel ,2005 □□□□ ,2005 **Informationweek** ,2005

This is likewise one of the factors by obtaining the soft documents of this **Hp Laserjet 4345 Mfp User Guide** by online. You might not require more era to spend to go to the books foundation as capably as search for them. In some cases, you likewise realize not discover the pronouncement Hp Laserjet 4345 Mfp User Guide that you are looking for. It will totally squander the time.

However below, behind you visit this web page, it will be so completely easy to acquire as skillfully as download lead Hp Laserjet 4345 Mfp User Guide

It will not endure many get older as we accustom before. You can pull off it even though feign something else at house and even in your workplace. as a result easy! So, are you question? Just exercise just what we give under as capably as review **Hp Laserjet 4345 Mfp User Guide** what you similar to to read!

<https://staging.conocer.cide.edu/files/virtual-library/Documents/Mambo%20In%20Chinatown.pdf>

Table of Contents Hp Laserjet 4345 Mfp User Guide

1. Understanding the eBook Hp Laserjet 4345 Mfp User Guide
 - The Rise of Digital Reading Hp Laserjet 4345 Mfp User Guide
 - Advantages of eBooks Over Traditional Books
2. Identifying Hp Laserjet 4345 Mfp User Guide
 - Exploring Different Genres
 - Considering Fiction vs. Non-Fiction
 - Determining Your Reading Goals
3. Choosing the Right eBook Platform
 - Popular eBook Platforms
 - Features to Look for in an Hp Laserjet 4345 Mfp User Guide
 - User-Friendly Interface
4. Exploring eBook Recommendations from Hp Laserjet 4345 Mfp User Guide

- Personalized Recommendations
 - Hp Laserjet 4345 Mfp User Guide User Reviews and Ratings
 - Hp Laserjet 4345 Mfp User Guide and Bestseller Lists
5. Accessing Hp Laserjet 4345 Mfp User Guide Free and Paid eBooks
 - Hp Laserjet 4345 Mfp User Guide Public Domain eBooks
 - Hp Laserjet 4345 Mfp User Guide eBook Subscription Services
 - Hp Laserjet 4345 Mfp User Guide Budget-Friendly Options
 6. Navigating Hp Laserjet 4345 Mfp User Guide eBook Formats
 - ePub, PDF, MOBI, and More
 - Hp Laserjet 4345 Mfp User Guide Compatibility with Devices
 - Hp Laserjet 4345 Mfp User Guide Enhanced eBook Features
 7. Enhancing Your Reading Experience
 - Adjustable Fonts and Text Sizes of Hp Laserjet 4345 Mfp User Guide
 - Highlighting and Note-Taking Hp Laserjet 4345 Mfp User Guide
 - Interactive Elements Hp Laserjet 4345 Mfp User Guide
 8. Staying Engaged with Hp Laserjet 4345 Mfp User Guide
 - Joining Online Reading Communities
 - Participating in Virtual Book Clubs
 - Following Authors and Publishers Hp Laserjet 4345 Mfp User Guide
 9. Balancing eBooks and Physical Books Hp Laserjet 4345 Mfp User Guide
 - Benefits of a Digital Library
 - Creating a Diverse Reading Collection Hp Laserjet 4345 Mfp User Guide
 10. Overcoming Reading Challenges
 - Dealing with Digital Eye Strain
 - Minimizing Distractions
 - Managing Screen Time
 11. Cultivating a Reading Routine Hp Laserjet 4345 Mfp User Guide
 - Setting Reading Goals Hp Laserjet 4345 Mfp User Guide
 - Carving Out Dedicated Reading Time
 12. Sourcing Reliable Information of Hp Laserjet 4345 Mfp User Guide

- Fact-Checking eBook Content of Hp Laserjet 4345 Mfp User Guide
 - Distinguishing Credible Sources
13. Promoting Lifelong Learning
- Utilizing eBooks for Skill Development
 - Exploring Educational eBooks
14. Embracing eBook Trends
- Integration of Multimedia Elements
 - Interactive and Gamified eBooks

Hp Laserjet 4345 Mfp User Guide Introduction

In today's digital age, the availability of Hp Laserjet 4345 Mfp User Guide books and manuals for download has revolutionized the way we access information. Gone are the days of physically flipping through pages and carrying heavy textbooks or manuals. With just a few clicks, we can now access a wealth of knowledge from the comfort of our own homes or on the go. This article will explore the advantages of Hp Laserjet 4345 Mfp User Guide books and manuals for download, along with some popular platforms that offer these resources. One of the significant advantages of Hp Laserjet 4345 Mfp User Guide books and manuals for download is the cost-saving aspect. Traditional books and manuals can be costly, especially if you need to purchase several of them for educational or professional purposes. By accessing Hp Laserjet 4345 Mfp User Guide versions, you eliminate the need to spend money on physical copies. This not only saves you money but also reduces the environmental impact associated with book production and transportation. Furthermore, Hp Laserjet 4345 Mfp User Guide books and manuals for download are incredibly convenient. With just a computer or smartphone and an internet connection, you can access a vast library of resources on any subject imaginable. Whether you're a student looking for textbooks, a professional seeking industry-specific manuals, or someone interested in self-improvement, these digital resources provide an efficient and accessible means of acquiring knowledge. Moreover, PDF books and manuals offer a range of benefits compared to other digital formats. PDF files are designed to retain their formatting regardless of the device used to open them. This ensures that the content appears exactly as intended by the author, with no loss of formatting or missing graphics. Additionally, PDF files can be easily annotated, bookmarked, and searched for specific terms, making them highly practical for studying or referencing. When it comes to accessing Hp Laserjet 4345 Mfp User Guide books and manuals, several platforms offer an extensive collection of resources. One such platform is Project Gutenberg, a nonprofit organization that provides over 60,000 free eBooks. These books are primarily in the public domain, meaning they can be freely distributed and downloaded. Project Gutenberg offers a wide range of classic literature, making it an excellent resource for literature

enthusiasts. Another popular platform for Hp Laserjet 4345 Mfp User Guide books and manuals is Open Library. Open Library is an initiative of the Internet Archive, a non-profit organization dedicated to digitizing cultural artifacts and making them accessible to the public. Open Library hosts millions of books, including both public domain works and contemporary titles. It also allows users to borrow digital copies of certain books for a limited period, similar to a library lending system. Additionally, many universities and educational institutions have their own digital libraries that provide free access to PDF books and manuals. These libraries often offer academic texts, research papers, and technical manuals, making them invaluable resources for students and researchers. Some notable examples include MIT OpenCourseWare, which offers free access to course materials from the Massachusetts Institute of Technology, and the Digital Public Library of America, which provides a vast collection of digitized books and historical documents. In conclusion, Hp Laserjet 4345 Mfp User Guide books and manuals for download have transformed the way we access information. They provide a cost-effective and convenient means of acquiring knowledge, offering the ability to access a vast library of resources at our fingertips. With platforms like Project Gutenberg, Open Library, and various digital libraries offered by educational institutions, we have access to an ever-expanding collection of books and manuals. Whether for educational, professional, or personal purposes, these digital resources serve as valuable tools for continuous learning and self-improvement. So why not take advantage of the vast world of Hp Laserjet 4345 Mfp User Guide books and manuals for download and embark on your journey of knowledge?

FAQs About Hp Laserjet 4345 Mfp User Guide Books

How do I know which eBook platform is the best for me? Finding the best eBook platform depends on your reading preferences and device compatibility. Research different platforms, read user reviews, and explore their features before making a choice. Are free eBooks of good quality? Yes, many reputable platforms offer high-quality free eBooks, including classics and public domain works. However, make sure to verify the source to ensure the eBook credibility. Can I read eBooks without an eReader? Absolutely! Most eBook platforms offer webbased readers or mobile apps that allow you to read eBooks on your computer, tablet, or smartphone. How do I avoid digital eye strain while reading eBooks? To prevent digital eye strain, take regular breaks, adjust the font size and background color, and ensure proper lighting while reading eBooks. What the advantage of interactive eBooks? Interactive eBooks incorporate multimedia elements, quizzes, and activities, enhancing the reader engagement and providing a more immersive learning experience. Hp Laserjet 4345 Mfp User Guide is one of the best book in our library for free trial. We provide copy of Hp Laserjet 4345 Mfp User Guide in digital format, so the resources that you find are reliable. There are also many Ebooks of related with Hp Laserjet 4345 Mfp User Guide. Where to download Hp Laserjet 4345 Mfp User Guide online for free? Are you looking for Hp Laserjet 4345 Mfp User Guide PDF? This

is definitely going to save you time and cash in something you should think about. If you trying to find then search around for online. Without a doubt there are numerous these available and many of them have the freedom. However without doubt you receive whatever you purchase. An alternate way to get ideas is always to check another Hp Laserjet 4345 Mfp User Guide. This method for see exactly what may be included and adopt these ideas to your book. This site will almost certainly help you save time and effort, money and stress. If you are looking for free books then you really should consider finding to assist you try this. Several of Hp Laserjet 4345 Mfp User Guide are for sale to free while some are payable. If you arent sure if the books you would like to download works with for usage along with your computer, it is possible to download free trials. The free guides make it easy for someone to free access online library for download books to your device. You can get free download on free trial for lots of books categories. Our library is the biggest of these that have literally hundreds of thousands of different products categories represented. You will also see that there are specific sites catered to different product types or categories, brands or niches related with Hp Laserjet 4345 Mfp User Guide. So depending on what exactly you are searching, you will be able to choose e books to suit your own need. Need to access completely for Campbell Biology Seventh Edition book? Access Ebook without any digging. And by having access to our ebook online or by storing it on your computer, you have convenient answers with Hp Laserjet 4345 Mfp User Guide To get started finding Hp Laserjet 4345 Mfp User Guide, you are right to find our website which has a comprehensive collection of books online. Our library is the biggest of these that have literally hundreds of thousands of different products represented. You will also see that there are specific sites catered to different categories or niches related with Hp Laserjet 4345 Mfp User Guide So depending on what exactly you are searching, you will be able tochoose ebook to suit your own need. Thank you for reading Hp Laserjet 4345 Mfp User Guide. Maybe you have knowledge that, people have search numerous times for their favorite readings like this Hp Laserjet 4345 Mfp User Guide, but end up in harmful downloads. Rather than reading a good book with a cup of coffee in the afternoon, instead they juggled with some harmful bugs inside their laptop. Hp Laserjet 4345 Mfp User Guide is available in our book collection an online access to it is set as public so you can download it instantly. Our digital library spans in multiple locations, allowing you to get the most less latency time to download any of our books like this one. Merely said, Hp Laserjet 4345 Mfp User Guide is universally compatible with any devices to read.

Find Hp Laserjet 4345 Mfp User Guide :

[mambo in chinatown](#)

mameluke ali with napoleon from the tuileries to st helena

male companions and guide jobs

management assistant n6 question papers

**makerere university intake list 2015 2016 on private
management information systems for the age fourth canadian edition**

making practice fun 46 answers substion

makita ls1020 manual

makerere university postgraduate admission list 2015 2016

malte morius the accursed sorcerer of morgal tram

making science graphs answers

mamiya m645 1000s digital cameras owners manual

malaguti phantom max service manual

maloo r8 owners manual

man truck manual 12 speed gearbox

Hp Laserjet 4345 Mfp User Guide :

interpersonal therapy ipt psychology tools - May 29 2022

web interpersonal psychotherapy ipt practice guide this brief guide provides information on interpersonal psychotherapy ipt including the underlying principles components and

interpersonal therapy techniques and what to expect - Feb 23 2022

web abstract this book presents a practical manual for psychodynamic interpersonal therapy chapter one provides a brief introduction to how this model of psychotherapy developed

interpersonal therapy chapter 20 clinical handbook for the - Jan 05 2023

web abstract this book is the definitive and most up to date guide to the elements and adaptations of interpersonal psychotherapy ipt and has been written by its

revised curriculum for dynamic interpersonal therapy for - Nov 03 2022

web structure of treatment ipt is a time limited acutely 12 16 weeks treatment with three phases a beginning 1 3 sessions middle and end 3 sessions the initial phase

psychodynamic interpersonal therapy a conversational model - Mar 27 2022

web interpersonal psychotherapy ipt is a time limited diagnosis targeted psychotherapy originally developed for the treatment of major depression research studies have

interpersonal psychotherapy for ptsd treating trauma without - Apr 27 2022

web interpersonal psychotherapy ipt is a short term psychological talking therapy its foundations lie in attachment theory

owlby 1969 communication theory e g kiesler

[the guide to interpersonal psychotherapy updated and](#) - Feb 06 2023

web interpersonal psychotherapy ipt is a time limited diagnosis targeted well studied manualized treatment for major depression and other psychiatric disorders therapists

[interpersonal effectiveness skills manual e version](#) - Jun 10 2023

ipt helps the client revisit and improve interpersonal relationships through a variety of interventions including see more

all about interpersonal therapy ipt for depression and - Sep 01 2022

web comprehensive guide to interpersonal psychotherapy weissman markowitz klerman 2000 is the ipt treatment manual and is provided to clinicians participating in the va

[interpersonal psychotherapy](#) - Apr 08 2023

web the ideas presented in this manual can introduce you to the skills that will help you to maintain or improve interpersonal relationships while maintaining your self respect

[books manuals international society of interpersonal isipt](#) - Aug 12 2023

ipt recognizes a strong link between the quality of interpersonal relationships and mental health dietz et al 2018 a suitably trained therapist can improve such relationships and see more

[interpersonal psychotherapy for depression in veterans](#) - Oct 02 2022

web curriculum for dynamic interpersonal therapy introduction this curriculum constitutes a refresh of the curriculum for dynamic interpersonal therapy dit published in 2011

brief interpersonal psychotherapy ipt b overview and review - Jul 31 2022

web jun 10 2021 interpersonal psychotherapy or interpersonal therapy is a targeted short term therapeutic approach that usually takes between 12 and 16 weeks sessions

[interpersonal psychotherapy ipt practice guide aps](#) - Jun 29 2022

web apr 30 2018 brief interpersonal psychotherapy ipt b is an eight session adaption of interpersonal psychotherapy ipt an evidence based psychotherapy for depression

[interpersonal psychotherapy for depression society of clinical](#) - Jan 25 2022

web oct 26 2023 interpersonal therapy ipt is a short term type of psychotherapy that treats mental health conditions including depression you ll usually do it for 12 to 16 sessions

[21 best interpersonal therapy techniques](#) - Oct 14 2023

interpersonal psychotherapy ipt was initially developed as a time limited treatment for depression it has since been extended to treat several other mood and non mood disorders and validated in multiple clinical research studies weissman markowitz

klerman 2000 the underlying see more

[pdf the guide to interpersonal psychotherapy](#) - Jul 11 2023

dimaggio ottavi popolo and salvatore 2020 highlight the importance of metacognition in understanding interpersonal relationships and treating personality disorders see more

[overview of ipt international society of interpersonal](#) - Mar 07 2023

web interpersonal psychotherapy ipt was developed by gerald l klerman and myrna m weissman see annex 1 for key resources and references on the origins of ipt and its

interpersonal psychotherapy principles and applications - Dec 24 2021

web treatment manuals outlines treatment manuals freely available manuals group ipt for depression world health organization contact authors of the following manuscripts for

interpersonal therapy techniques benefits limitations - Nov 22 2021

web nov 1 2004 this article briefly describes the fundamental principles and some of the clinical applications of interpersonal psychotherapy ipt a time limited empirically

interpersonal psychotherapy principles and applications pmc - Dec 04 2022

web may 5 2013 interpersonal psychotherapy ipt is a time limited evidenced based therapy initially developed to treat major depressive disorder mdd in adults in clinical

group interpersonal therapy ipt for depression - May 09 2023

web interpersonal psychotherapy ipt is an evidence based time limited affect and life event focused psychotherapy repeatedly tested in more than forty years of treatment

group interpersonal therapy ipt for depression - Sep 13 2023

ipt interventions correct maladaptive interpersonal problems increase self awareness while deepening emotions associated with interpersonal needs and are highly successful see more

the reluctant warrior high sierra sweethearts amazon com tr - Mar 03 2023

web the reluctant warrior high sierra sweethearts connealy mary amazon com tr kitap

[high sierra sweethearts 3 book series kindle edition](#) - Feb 02 2023

web the reluctant warrior high sierra sweethearts book 2 an inspirational historical western mountain romance by mary connealy author 4.6 out of 5 stars 1 680

the reluctant warrior high sierra sweethearts book 2 - May 05 2023

web the reluctant warrior continues the saga of two sisters and two young children who survive a wagon train massacre near the sierra nevada mountains older sister deb s story is revealed in the accidental guardian and this time it is younger sister

gwen s turn

[the reluctant warrior high sierra sweethearts book 2](#) - Aug 08 2023

web the reluctant warrior high sierra sweethearts book 2 ebook connealy mary amazon co uk kindle store

[the reluctant warrior high sierra sweethearts book 2](#) - Nov 30 2022

web learn more union army officer cameron scott is used to being obeyed but nothing about this journey to lake tahoe has gone as expected he s come to fetch his daughter and nephew and seek revenge on the people who killed his brother

the reluctant warrior high sierra sweethearts book 2 - Jun 25 2022

web read the reluctant warrior high sierra sweethearts book 2 by mary connealy with a free trial read millions of ebooks and audiobooks on the web ipad iphone and android union army officer cameron scott is used to being obeyed but nothing about this journey to lake tahoe has gone as expected

the reluctant warrior baker publishing group - Oct 30 2022

web the reluctant warrior by mary connealy series high sierra sweethearts format paperback isbn 9780764219306

dimensions 5 5 x 8 5 pub date oct 2018 srp 14 99 praise for high sierra sweethearts in the first installment of connealy s new high sierra sweethearts series

the reluctant warrior high sierra sweethearts 2 goodreads - Sep 09 2023

web oct 1 2018 1 910 ratings 194 reviews union army officer cameron scott is used to being obeyed but nothing about this journey to lake tahoe has gone as expected he s come to fetch his daughter and nephew and seek revenge on the people who killed his brother

the reluctant warrior high sierra sweethearts amazon com - Jul 07 2023

web oct 2 2018 the reluctant warrior high sierra sweethearts connealy mary on amazon com free shipping on qualifying offers the reluctant warrior high sierra sweethearts

the reluctant warrior high sierra sweethearts series book - Apr 23 2022

web the reluctant warrior high sierra sweethearts series book 2 adobe epub ebook kindle book overdrive read

[the reluctant warrior high sierra sweethearts book 3](#) - May 25 2022

web the reluctant warrior high sierra sweethearts book 3 audible audiobook unabridged mary connealy author morgan hallett narrator recorded books publisher 0 more 4 6 4 6 out of 5 stars 1 658 ratings

high sierra sweethearts series by mary connealy goodreads - Aug 28 2022

web the accidental guardian high sierra sweethearts 1 the reluctant warrior high sierra sweethearts 2 and the unexpected champion high sierra swe

the reluctant warrior mary connealy - Sep 28 2022

web the reluctant warrior high sierra sweethearts book 2 union army officer cameron scott is used to being obeyed but nothing about this journey to lake tahoe has gone as expected he s come to fetch his daughter and nephew and seek revenge on the people who killed his brother

the reluctant warrior high sierra sweethearts book 2 - Oct 10 2023

web oct 2 2018 the reluctant warrior high sierra sweethearts book 2 kindle edition union army officer cameron scott is used to being obeyed but nothing about this journey to lake tahoe has gone as expected he s come to fetch his daughter and nephew and seek revenge on the people who killed his brother

the reluctant warrior high sierra sweethearts series 2 - Jan 01 2023

web oct 2 2018 union army officer cameron scott is used to being obeyed but nothing about this journey to lake tahoe has gone as expected he s come to fetch his daughter and nephew and seek revenge on the people who killed his brother instead he finds himself trapped by a blizzard with two children who are

the reluctant warrior high sierra sweethearts book 2 - Jun 06 2023

web the reluctant warrior high sierra sweethearts book 2 ebook connealy mary amazon com au kindle store

amazon com customer reviews the reluctant warrior high sierra - Feb 19 2022

web find helpful customer reviews and review ratings for the reluctant warrior high sierra sweethearts book 3 at amazon com read honest and unbiased product reviews from our users

the reluctant warrior high sierra sweethearts book 2 - Jul 27 2022

web union army officer cameron scott is used to being obeyed but nothing about this journey to lake tahoe has gone as expected he s come to fetch his daughter and nephew and seek revenge on the people who killed his brother instead he finds himself trapped by a blizzard with two children who are terrified of him and stubborn but beautiful gwen harkness who

the reluctant warrior high sierra sweethearts boo tracie - Mar 23 2022

web the unexpected champion high sierra sweethearts book 3 mary connealy 2019 03 05 city dweller john mccall never expected to be out in the high sierras of 1868 on a wild goose chase to find the chiltons supposedly lost grandson but now that he s out here things have gotten even more complicated mostly due to wildcat penny scott

the reluctant warrior high sierra sweethearts book 2 - Apr 04 2023

web the reluctant warrior high sierra sweethearts book 2 ebook written by mary connealy read this book using google play books app on your pc android ios devices download for offline reading highlight bookmark or take notes while you read the reluctant warrior high sierra sweethearts book 2

eog testing dates in north carolina 2014 2023 - Nov 06 2022

web yet set within the lyrical pages of eog testing dates in north carolina 2014 a fascinating perform of fictional brilliance

that impulses with organic feelings lies an remarkable journey waiting to be embarked upon

end of course eoc nc dpi - Apr 30 2022

web the north carolina end of course tests are used to sample a student s knowledge of subject related concepts as specified in the north carolina standard course of study and to provide a global estimate of the student s mastery

2023 24 north carolina operational testing calendar nc dpi - Jun 13 2023

web test date 1 february 27 2024 test date 2 march 12 2024 test date 3 april 9 2024

eog testing dates 2014 in greensboro nc pdf yvc moeys gov - Dec 07 2022

web webfeb 20 2023 eog testing dates in north carolina 2014 yeah reviewing a ebook eog testing dates in north carolina 2014 could grow your near associates listings this is just one of the solutions for you to be successful

state tests nc dpi - Jul 14 2023

web the eog testing window is the last ten 10 days of the school year science the eog science tests at grades 5 and 8 are aligned to the north carolina essential standards for science the eog science tests are required to be administered online

north carolina end of grade tests assessment brief nc dpi - Sep 04 2022

web the north carolina end of grade eog tests are standards based achievement tests in the areas of reading and mathematics at grades 3 8 and science at grades 5 and 8 the reading and mathematics tests are aligned to the north carolina standard course of study nc scs and the science tests are aligned to the north carolina

a family guide to annual state tests in north carolina - Jun 01 2022

web state assessments 101 the every student succeeds act or essa requires students to take state tests in reading and math every year in third through eighth grade and once in high school in north carolina students in third through eighth grade take end of grade tests eog in reading and math

state testing 2023 2024 testing calendars for state assessments - Apr 11 2023

web aug 15 2023 overview 2023 2024 testing calendars for state assessments meet the team how much time will your child spend on state required assessments nc eoc eog test specifications elementary middle school testing calendar high school testing calendar academies middle colleges stem early college at nc

eog testing dates in north carolina 2014 pdf pdf api2 igetweb - Jan 08 2023

web eog testing dates in north carolina 2014 pdf upload betty i williamson 2 6 downloaded from api2 igetweb com on september 5 2023 by betty i williamson reference ideal for ophthalmic practitioners and allied health professionals alike this indispensable resource is your comprehensive guide for the speedy diagnosis and treatment of the most

eog testing dates in north carolina 2014 secure4 khronos - Feb 09 2023

web may 30 2023 gaining the digital documents of this eog testing dates in north carolina 2014 by online it is not

approximately by word of mouth the expenses its almost what you constraint currently speaking simply stated the eog testing dates in north carolina 2014 is globally consistent with any devices to download

eog testing dates in north carolina 2014 - Aug 03 2022

web we allow eog testing dates in north carolina 2014 and numerous book collections from fictions to scientific research in any way in the middle of them is this eog testing dates in north carolina 2014 that can be your partner

eog testing dates in north carolina 2014 yair galily pdf - May 12 2023

web eog testing dates in north carolina 2014 getting the books eog testing dates in north carolina 2014 now is not type of challenging means you could not unaided going similar to book amassing or library or borrowing from your links to way in them this is an unquestionably simple means to specifically get guide by on line this online broadcast eog

the north carolina annual testing program 2021 22 cloudinary - Dec 27 2021

web the bog3 testing window begins on the eleventh day of the school year and continues through the fifteenth day end of grade eog tests reading the eog reading tests are aligned to the ncscls for english language arts students read authentic selections and then answer questions related to the selections

end of grade eog nc dpi - Aug 15 2023

web the north carolina end of grade eog tests are designed to measure student performance on the goals objectives and grade level competencies specified in the north carolina standard course of study mathematics grades 3 8 reading grades 3 8 science grades 5 and 8

eog testing dates in north carolina 2014 - Oct 05 2022

web eog testing dates in north carolina 2014 north carolina 2014 master electrician study guide aug 25 2020 the north carolina 2014 master electrician s exam questions and study guide is a comprehensive study preparation guide written by ray holder the study guide will help you prepare for the exam by providing 12 practice open book exams and

2020 21 north carolina operational test calendar grades k 8 nc - Jan 28 2022

web jul 24 2020 test date initial assessment required within 30 calendar days of enrollment window january 25 march 5 2021 window january 25 march 5 2021 by day 20 of the school year final 10 instructional days of the school year final 10 instructional days of the school year there are three windows within the year

eog testing dates in north carolina 2014 pdf free - Mar 10 2023

web eog testing dates in north carolina 2014 pdf free digitalworkgroup skidmore edu created date 9 7 2023 10 22 11 pm *schedule of state tests and administration dates fall* - Mar 30 2022

web schedule of state tests and administration dates fall spring makeup testing elementary grades 3 5 middle grades 6 8 high grades 9 12 test grad es testing eog math k 5 6 1 2023 eog science 8th n a nc math i na eog science 5th 6 5 2023 nc

final exams 6 8 n a nc final exams na rta test 3rd fall 9 16 2022 11 1 2022

north carolina end of grade eog tests cary elementary - Feb 26 2022

web may 3 2014 as you may already know the north carolina end of grade eog test is right around the corner cary elementary students in grades 3 4 and 5 will begin testing on friday may 30 our testing schedule is as follows friday may 30 reading 3rd 5th grade monday june 2 math 3rd 5th grade tuesday june 3 science 5th grade only

eog test dates 2014 for mecklenburg media joomlashine com - Jul 02 2022

web eog test dates 2014 for mecklenburg eog test dates 2014 for mecklenburg gridded response practice activity dpi fall 2014 released north carolina public schools eog test dates charlotte mecklenburg nc end of grade testing to be held may 18 21 learn nc has been archived the eia has apparently bienvenidos a la clase de sra garcia