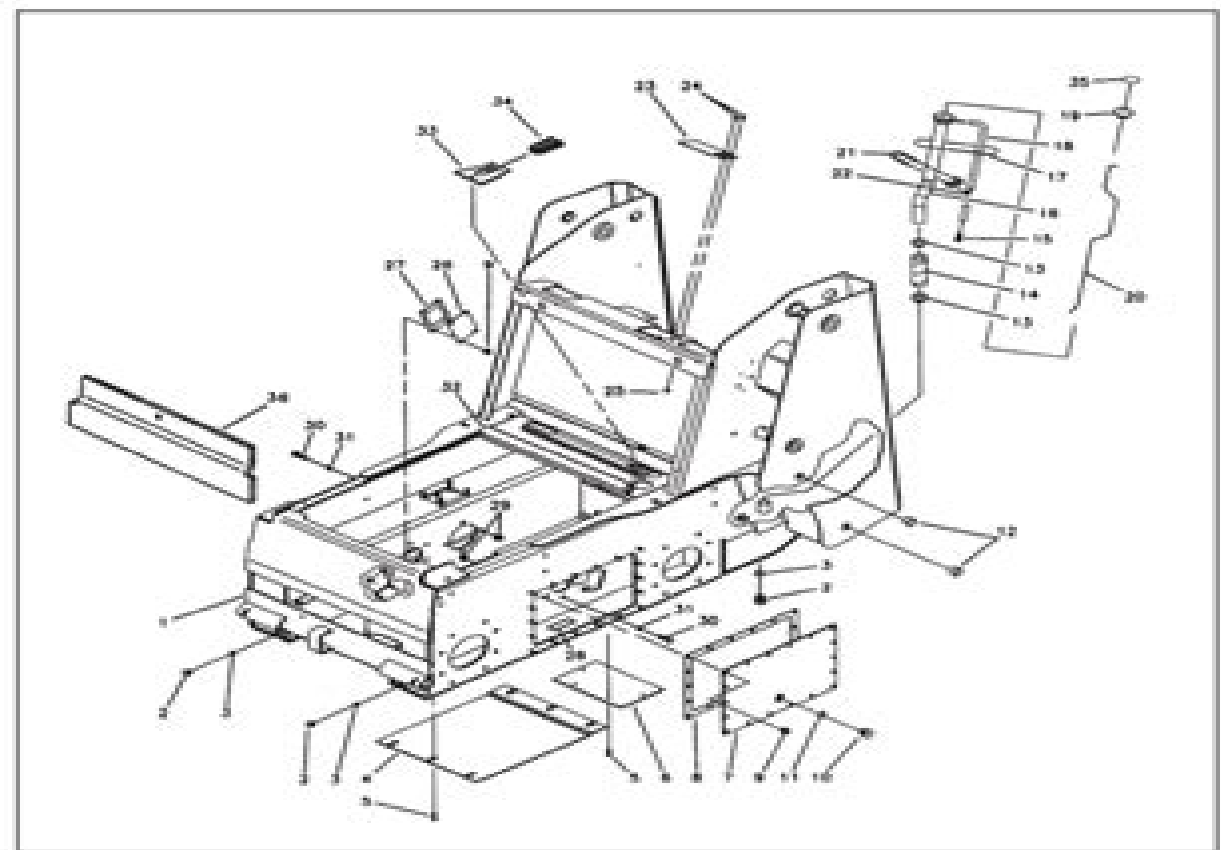


- SECTION A: MAIN LOADER COMPONENTS
- SECTION B: HYDRAULIC COMPONENTS
- SECTION C: KITS, FILTERS AND ACCESSORIES
- SECTION D: SCHEMATICS
  - O-RING TABLE
  - HYDRAULIC/HYDROSTATIC SCHEMATIC
  - HYDRAULIC/HYDROSTATIC SCHEMATIC
  - HYDRAULIC/HYDROSTATIC SCHEMATIC
  - HYDRAULIC/HYDROSTATIC SCHEMATIC
  - HYDRAULIC/HYDROSTATIC SCHEMATIC
  - ELECTRICAL SCHEMATIC - MANUAL REL
  - ELECTRICAL SCHEMATIC
  - Torque Specifications



# Mustang 2054 Skid Steer Parts Service Manual

**Tecumseh Products Company. Engine  
and Gear Service Division**

A red circular graphic with a gradient, appearing as a partial circle on the right side of the page, overlapping the grey bar.

## **Mustang 2054 Skid Steer Parts Service Manual:**

Farmers and Consumers Market Bulletin ,2002      **Service Manual, Skid Steer Loader L-555 Sperry New Holland**  
Sperry New Holland,New Holland Machine Company,Ford Motor Company,1985      OMC Parts Manual ,19??      *Chilton's*  
*Ford Mustang 2005-07 Repair Manual* Mike Stubblefield,2007 Covers U S and Canadian models of Ford Mustang Does not  
include information specific to Shelby GT500 Cobra models      *Ford Mustang 1994-04 Repair Manual* George B.  
Heinrich,Robert Maddox,2007 Ford Mustang 94 thru 04 Does not include information on independent rear suspension  
driveaxles on 99 later Cobra models nor information on the 03 04 Cobra models      Mustang 1999 Service Manual ,1995  
Mustang 1993 Service Manual ,1992      *1986 Mustang/Capri Electrical & Vacuum Troubleshooting Manual* Ford Motor  
Company. Parts and Service Division. Training and Publications Department,1984      **Nineteen Ninety Mustang**  
**Electrical & Vacuum Trouble-shooting Manual** Ford Motor Company. Ford Parts and Service Division,1989      *Master*  
*Parts Manual* Tecumseh Products Company. Engine and Gear Service Division,1982      *Ford Mustang Automotive Repair*  
*Manual* Mike Stubblefield,Chilton,2012 Covers U S and Canadian models of Ford Mustang Does not include information  
specific to Shelby GT500 Cobra models      1993 Mustang ,1992      *Electrical & Vacuum Troubleshooting Manual, 1980*  
*Mustang/Capri* Ford Motor Company. Ford Parts and Service Division. Training and Publications Department,1980  
**Mustang 1995 Service Manual** ,1994      Ford Mustang Service Manual, 1998 Ford Motor Company. Technical  
Support Operations,1997      *Mustang 1994 Service Manual* ,2008      **Ford Mustang Service Manual, 1997** Ford Motor  
Company. Technical Service Support Operations,1996      *1992 Ford Mustang Service Manual* Ford Motor Company,  
**Mustang 1991 Electrical & Vacuum Troubleshooting Manual** ,1990      Seeburg Model 101, 161 and 201 of 1958  
Service Manual and Parts List Seeburg Company Staff,1984-05-01

This book delves into Mustang 2054 Skid Steer Parts Service Manual. Mustang 2054 Skid Steer Parts Service Manual is a crucial topic that needs to be grasped by everyone, ranging from students and scholars to the general public. This book will furnish comprehensive and in-depth insights into Mustang 2054 Skid Steer Parts Service Manual, encompassing both the fundamentals and more intricate discussions.

1. The book is structured into several chapters, namely:
    - Chapter 1: Introduction to Mustang 2054 Skid Steer Parts Service Manual
    - Chapter 2: Essential Elements of Mustang 2054 Skid Steer Parts Service Manual
    - Chapter 3: Mustang 2054 Skid Steer Parts Service Manual in Everyday Life
    - Chapter 4: Mustang 2054 Skid Steer Parts Service Manual in Specific Contexts
    - Chapter 5: Conclusion
  2. In chapter 1, this book will provide an overview of Mustang 2054 Skid Steer Parts Service Manual. The first chapter will explore what Mustang 2054 Skid Steer Parts Service Manual is, why Mustang 2054 Skid Steer Parts Service Manual is vital, and how to effectively learn about Mustang 2054 Skid Steer Parts Service Manual.
  3. In chapter 2, this book will delve into the foundational concepts of Mustang 2054 Skid Steer Parts Service Manual. The second chapter will elucidate the essential principles that need to be understood to grasp Mustang 2054 Skid Steer Parts Service Manual in its entirety.
  4. In chapter 3, the author will examine the practical applications of Mustang 2054 Skid Steer Parts Service Manual in daily life. This chapter will showcase real-world examples of how Mustang 2054 Skid Steer Parts Service Manual can be effectively utilized in everyday scenarios.
  5. In chapter 4, this book will scrutinize the relevance of Mustang 2054 Skid Steer Parts Service Manual in specific contexts. The fourth chapter will explore how Mustang 2054 Skid Steer Parts Service Manual is applied in specialized fields, such as education, business, and technology.
  6. In chapter 5, the author will draw a conclusion about Mustang 2054 Skid Steer Parts Service Manual. The final chapter will summarize the key points that have been discussed throughout the book.
- The book is crafted in an easy-to-understand language and is complemented by engaging illustrations. It is highly recommended for anyone seeking to gain a comprehensive understanding of Mustang 2054 Skid Steer Parts Service Manual.

[https://staging.conocer.cide.edu/files/publication/Download\\_PDFS/History%20Alive%20Pursuing%20American%20Ideals%20Teacher%20Guide.pdf](https://staging.conocer.cide.edu/files/publication/Download_PDFS/History%20Alive%20Pursuing%20American%20Ideals%20Teacher%20Guide.pdf)

## **Table of Contents Mustang 2054 Skid Steer Parts Service Manual**

1. Understanding the eBook Mustang 2054 Skid Steer Parts Service Manual
  - The Rise of Digital Reading Mustang 2054 Skid Steer Parts Service Manual
  - Advantages of eBooks Over Traditional Books
2. Identifying Mustang 2054 Skid Steer Parts Service Manual
  - Exploring Different Genres
  - Considering Fiction vs. Non-Fiction
  - Determining Your Reading Goals
3. Choosing the Right eBook Platform
  - Popular eBook Platforms
  - Features to Look for in an Mustang 2054 Skid Steer Parts Service Manual
  - User-Friendly Interface
4. Exploring eBook Recommendations from Mustang 2054 Skid Steer Parts Service Manual
  - Personalized Recommendations
  - Mustang 2054 Skid Steer Parts Service Manual User Reviews and Ratings
  - Mustang 2054 Skid Steer Parts Service Manual and Bestseller Lists
5. Accessing Mustang 2054 Skid Steer Parts Service Manual Free and Paid eBooks
  - Mustang 2054 Skid Steer Parts Service Manual Public Domain eBooks
  - Mustang 2054 Skid Steer Parts Service Manual eBook Subscription Services
  - Mustang 2054 Skid Steer Parts Service Manual Budget-Friendly Options
6. Navigating Mustang 2054 Skid Steer Parts Service Manual eBook Formats
  - ePub, PDF, MOBI, and More
  - Mustang 2054 Skid Steer Parts Service Manual Compatibility with Devices
  - Mustang 2054 Skid Steer Parts Service Manual Enhanced eBook Features
7. Enhancing Your Reading Experience
  - Adjustable Fonts and Text Sizes of Mustang 2054 Skid Steer Parts Service Manual
  - Highlighting and Note-Taking Mustang 2054 Skid Steer Parts Service Manual
  - Interactive Elements Mustang 2054 Skid Steer Parts Service Manual

8. Staying Engaged with Mustang 2054 Skid Steer Parts Service Manual
  - Joining Online Reading Communities
  - Participating in Virtual Book Clubs
  - Following Authors and Publishers Mustang 2054 Skid Steer Parts Service Manual
9. Balancing eBooks and Physical Books Mustang 2054 Skid Steer Parts Service Manual
  - Benefits of a Digital Library
  - Creating a Diverse Reading Collection Mustang 2054 Skid Steer Parts Service Manual
10. Overcoming Reading Challenges
  - Dealing with Digital Eye Strain
  - Minimizing Distractions
  - Managing Screen Time
11. Cultivating a Reading Routine Mustang 2054 Skid Steer Parts Service Manual
  - Setting Reading Goals Mustang 2054 Skid Steer Parts Service Manual
  - Carving Out Dedicated Reading Time
12. Sourcing Reliable Information of Mustang 2054 Skid Steer Parts Service Manual
  - Fact-Checking eBook Content of Mustang 2054 Skid Steer Parts Service Manual
  - Distinguishing Credible Sources
13. Promoting Lifelong Learning
  - Utilizing eBooks for Skill Development
  - Exploring Educational eBooks
14. Embracing eBook Trends
  - Integration of Multimedia Elements
  - Interactive and Gamified eBooks

### **Mustang 2054 Skid Steer Parts Service Manual Introduction**

Free PDF Books and Manuals for Download: Unlocking Knowledge at Your Fingertips In todays fast-paced digital age, obtaining valuable knowledge has become easier than ever. Thanks to the internet, a vast array of books and manuals are now available for free download in PDF format. Whether you are a student, professional, or simply an avid reader, this treasure trove of downloadable resources offers a wealth of information, conveniently accessible anytime, anywhere. The advent of online libraries and platforms dedicated to sharing knowledge has revolutionized the way we consume information.

No longer confined to physical libraries or bookstores, readers can now access an extensive collection of digital books and manuals with just a few clicks. These resources, available in PDF, Microsoft Word, and PowerPoint formats, cater to a wide range of interests, including literature, technology, science, history, and much more. One notable platform where you can explore and download free Mustang 2054 Skid Steer Parts Service Manual PDF books and manuals is the internet's largest free library. Hosted online, this catalog compiles a vast assortment of documents, making it a veritable goldmine of knowledge. With its easy-to-use website interface and customizable PDF generator, this platform offers a user-friendly experience, allowing individuals to effortlessly navigate and access the information they seek. The availability of free PDF books and manuals on this platform demonstrates its commitment to democratizing education and empowering individuals with the tools needed to succeed in their chosen fields. It allows anyone, regardless of their background or financial limitations, to expand their horizons and gain insights from experts in various disciplines. One of the most significant advantages of downloading PDF books and manuals lies in their portability. Unlike physical copies, digital books can be stored and carried on a single device, such as a tablet or smartphone, saving valuable space and weight. This convenience makes it possible for readers to have their entire library at their fingertips, whether they are commuting, traveling, or simply enjoying a lazy afternoon at home. Additionally, digital files are easily searchable, enabling readers to locate specific information within seconds. With a few keystrokes, users can search for keywords, topics, or phrases, making research and finding relevant information a breeze. This efficiency saves time and effort, streamlining the learning process and allowing individuals to focus on extracting the information they need. Furthermore, the availability of free PDF books and manuals fosters a culture of continuous learning. By removing financial barriers, more people can access educational resources and pursue lifelong learning, contributing to personal growth and professional development. This democratization of knowledge promotes intellectual curiosity and empowers individuals to become lifelong learners, promoting progress and innovation in various fields. It is worth noting that while accessing free Mustang 2054 Skid Steer Parts Service Manual PDF books and manuals is convenient and cost-effective, it is vital to respect copyright laws and intellectual property rights. Platforms offering free downloads often operate within legal boundaries, ensuring that the materials they provide are either in the public domain or authorized for distribution. By adhering to copyright laws, users can enjoy the benefits of free access to knowledge while supporting the authors and publishers who make these resources available. In conclusion, the availability of Mustang 2054 Skid Steer Parts Service Manual free PDF books and manuals for download has revolutionized the way we access and consume knowledge. With just a few clicks, individuals can explore a vast collection of resources across different disciplines, all free of charge. This accessibility empowers individuals to become lifelong learners, contributing to personal growth, professional development, and the advancement of society as a whole. So why not unlock a world of knowledge today? Start exploring the vast sea of free PDF books and manuals waiting to be discovered right at your fingertips.

## FAQs About Mustang 2054 Skid Steer Parts Service Manual Books

**What is a Mustang 2054 Skid Steer Parts Service Manual PDF?** A PDF (Portable Document Format) is a file format developed by Adobe that preserves the layout and formatting of a document, regardless of the software, hardware, or operating system used to view or print it. **How do I create a Mustang 2054 Skid Steer Parts Service Manual PDF?** There are several ways to create a PDF: Use software like Adobe Acrobat, Microsoft Word, or Google Docs, which often have built-in PDF creation tools. Print to PDF: Many applications and operating systems have a "Print to PDF" option that allows you to save a document as a PDF file instead of printing it on paper. Online converters: There are various online tools that can convert different file types to PDF. **How do I edit a Mustang 2054 Skid Steer Parts Service Manual PDF?** Editing a PDF can be done with software like Adobe Acrobat, which allows direct editing of text, images, and other elements within the PDF. Some free tools, like PDFescape or Smallpdf, also offer basic editing capabilities. **How do I convert a Mustang 2054 Skid Steer Parts Service Manual PDF to another file format?** There are multiple ways to convert a PDF to another format: Use online converters like Smallpdf, Zamzar, or Adobe Acrobats export feature to convert PDFs to formats like Word, Excel, JPEG, etc. Software like Adobe Acrobat, Microsoft Word, or other PDF editors may have options to export or save PDFs in different formats. **How do I password-protect a Mustang 2054 Skid Steer Parts Service Manual PDF?** Most PDF editing software allows you to add password protection. In Adobe Acrobat, for instance, you can go to "File" -> "Properties" -> "Security" to set a password to restrict access or editing capabilities. Are there any free alternatives to Adobe Acrobat for working with PDFs? Yes, there are many free alternatives for working with PDFs, such as: LibreOffice: Offers PDF editing features. PDFsam: Allows splitting, merging, and editing PDFs. Foxit Reader: Provides basic PDF viewing and editing capabilities. How do I compress a PDF file? You can use online tools like Smallpdf, ILovePDF, or desktop software like Adobe Acrobat to compress PDF files without significant quality loss. Compression reduces the file size, making it easier to share and download. Can I fill out forms in a PDF file? Yes, most PDF viewers/editors like Adobe Acrobat, Preview (on Mac), or various online tools allow you to fill out forms in PDF files by selecting text fields and entering information. Are there any restrictions when working with PDFs? Some PDFs might have restrictions set by their creator, such as password protection, editing restrictions, or print restrictions. Breaking these restrictions might require specific software or tools, which may or may not be legal depending on the circumstances and local laws.

## Find Mustang 2054 Skid Steer Parts Service Manual :

history alive pursuing american ideals teacher guide

**hino 700 manual de partes**



**history p1 grade 11 exam essay**

[his paparazzo english edition](#)

[his protector episode one english edition](#)

[histoire de sexe des histoires erotiques sensuelles sexe](#)

[histoires sexuelles hardcore](#)

[hip hooray 1 first edition](#)

[history alive chapter 8 packet answer key](#)

[histoire de rome livre xiv](#)

**histoire de l'architecture laquo que saisje raquo ndeg**

[history 1301 exam 1 answers](#)

[his protector episode three english edition](#)

[hiring rubric sample](#)

**history grade 9 limpopo november 2014 final****Mustang 2054 Skid Steer Parts Service Manual :****abaqus tutorial rev0 institute for advanced study - Jul 14 2023**

web the abaqus cae is the complete abaqus environment that provides a simple consistent interface for creating abaqus models interactively submitting and monitoring abaqus jobs and evaluating results from abaqus simulations

**getting started with abaqus cae massachusetts institute of - Mar 10 2023**

web this guide is a self paced tutorial designed to help new users become familiar with using abaqus cae to create solid shell and beam and truss models analyze these models in abaqus standard and abaqus explicit and view the results in the visualization module of

[introduction massachusetts institute of technology - Oct 05 2022](#)

web the abaqus cae user interface is very intuitive and allows you to begin working without a great deal of preparation however you may find it useful to read through the tutorials at the end of the getting started with abaqus cae guide

[abaqus tutorials perform non linear fea simuleon - Sep 04 2022](#)

web free abaqus tutorials to build and expand your experience on simulia abaqus fea software download them here and start learning right away

[2 a tutorial creating and analyzing a simple model imt mines albi - May 12 2023](#)

web a tutorial creating and analyzing a simple model 2 a tutorial creating and analyzing a simple model the following section

leads you through the abaqus cae modeling process by visiting each of the modules and showing you the

**session 1 introduction to abaqus cae environment youtube** - Feb 09 2023

web jul 24 2020 this video provided an introduction to abaqus cae gui environment and shows you how to setup run and post process a simple model in abaqus cae please don

training introduction to abaqus dassault systèmes - Jan 08 2023

web course objective this course is a comprehensive and unified introduction to the modeling and analysis capabilities of abaqus it teaches you how to solve linear and nonlinear problems submit and monitor analysis jobs and view simulation results using the interactive interface of abaqus

**video abaqus cae machining tutorials grabcad tutorials** - Jan 28 2022

web oct 18 2019 step 1 how to achieve a drilling operation with abaqus cae full abaqus cae drilling tutorial step 2 tutorial how to model metal matrix composites in an orthogonal cutting simulation with abaqus cae step 3 abaqus cae machining tutorials for several machining methods step 4 3d turning tutorial with simulia abaqus 6 14 cae

*abaqus tutorial full series youtube* - Apr 11 2023

web may 8 2023 a complete and detailed tutorial series on abaqus cae covering the modeling of a bolted steel beam to column connection under monotonic cyclic loads as well

*abaqus cae learn static and dynamic analysis udemy* - Dec 07 2022

web description abaqus cae is one of the most widely used finite element analysis software in the world abaqus was developed by dassault systems in this course you will learn abaqus from basics to advance level the main content of this course is given below 1

*abaqus cae learn civil and geotechnical analysis level 1* - Aug 03 2022

web best in class companies are taking advantage of abaqus unified fea to consolidate their processes and tools reduce costs and inefficiencies and gain a competitive advantage in this course you will learn abaqus at the basic level the main content of this course as shown below mesh linear static analysis geometric nonlinearity material

**abaqus tutorial 100 abaqus courses cae assistant** - Jul 02 2022

web abaqus modules video tutorial a full abaqus environment abaqus cae offers a straightforward consistent user interface for creating submitting tracking and assessing the results of abaqus standard and abaqus explicit simulations

creating and analyzing a simple model in abaqus cae - Aug 15 2023

web the following section is a basic tutorial for the experienced abaqus user it leads you through the abaqus cae modeling process by visiting each of the modules and showing you the basic steps to create and analyze a simple model

training introduction to abaqus cae dassault systèmes - Jun 13 2023

web abaqus cae provides a complete interactive environment for creating abaqus models submitting and monitoring analysis jobs and viewing and manipulating simulation results upon completion of this course you will be able to use abaqus cae to create complete finite element models

*abaqus 1 a basic introduction youtube* - Feb 26 2022

web aug 15 2017 444k views 6 years ago this is a basic introduction for structural fem modelling using the popular software abaqus in this video the basics are covered including creating and analyzing a three

tutorial abaqus a comprehensive guide for fea beginner - Dec 27 2021

web mar 31 2023 this tutorial provided a comprehensive introduction to abaqus its applications and its main components you also gained a brief insight into the abaqus cae user interface with this groundwork established you are now prepared to delve into more advanced topics and begin creating and analyzing your fea models

**using additional techniques to create and analyze a model in abaqus cae** - Nov 06 2022

web this tutorial assumes that you are familiar with the techniques described in creating and analyzing a simple model in abaqus cae including the following using the view manipulation tools to rotate and zoom an object in the viewport following the prompts in the prompt area using the mouse to select menu items toolbox items and items

**en175 abaqus tutorial brown university** - Apr 30 2022

web school of engineering brown university engn 1750 advanced mechanics of solids abaqus tutorial this tutorial will take you all the steps required to set up and run a basic simulation using abaqus cae and visualize the results background the figure shows an fea simulation of a rigid sphere rebounding of a soft rubber thin film

**abaqus cae finite element modeling visualization and** - Jun 01 2022

web composites modeler composites modeler for abaqus cae complements and extends the powerful ply modeling features in abaqus cae by providing proven fiber simulation capabilities and advanced model building all seamlessly integrated within abaqus cae explore the composites modeler abaqus knee simulator

**2 2 introduction to abaqus cae washington university in st** - Mar 30 2022

web getting started with abaqus 2 2 introduction to abaqus cae abaqus cae is the complete abaqus environment that provides a simple consistent interface for creating abaqus models interactively submitting and monitoring abaqus jobs and evaluating results from abaqus simulations abaqus cae is divided into modules where each

what are business june exam essay pdf uniport edu - Nov 24 2021

web jul 27 2023 you to look guide what are business june exam essay as you such as by searching the title publisher or authors of guide you in fact want you can discover them

**what are business june exam essay uniport edu** - Sep 22 2021

**what are business june exam essay pdf portal dlc ui edu** - Jan 07 2023

web jun 4 2023 this what are business june exam essay as one of the bulk functioning sellers here will thoroughly be accompanied by the best options to review along with

[71 byju s business associate interview questions 2023](#) - Jan 27 2022

web jul 19 2023 what are business june exam essay by online you might not require more times to spend to go to the books start as capably as search for them in some cases

[what are business june exam essay pdf uniport edu](#) - Apr 29 2022

web aug 11 2023 what are business june exam essay 1 7 downloaded from uniport edu ng on august 11 2023 by guest what are business june exam essay as recognized

**what are business june exam essay pdf wrbb neu** - Jul 13 2023

web what are business june exam essay 2021 06 14 aguirre gabrielle acca f4 corporate business law russia for the december 2017 and june 2018 exams

*what are business june exam essay help discoveram* - Dec 06 2022

web aug 5 2023 what are business june exam essay 2 7 downloaded from uniport edu ng on august 5 2023 by guest terms and tips that highlight important points and common

**what are business june exam essay patrick tissington pdf** - Jun 12 2023

web past currently we extend the link to buy and make bargains to download and install what are business june exam essay therefore simple cambridge international as and a

**what are business june exam essay pdf uniport edu** - Oct 24 2021

web aug 2 2023 business june exam essay as you such as by searching the title publisher or authors of guide you in fact want you can discover them rapidly in the house

**what are business june exam essay** - Apr 10 2023

web jul 28 2023 kindly say the what are business june exam essay pdf is universally compatible with any devices to read the leadership experience richard l daft 2022

**what are business june exam essay pdf book** - Mar 09 2023

web jul 9 2023 what are business june exam essay right here we have countless book what are business june exam essay and collections to check out we additionally find

[what are business june exam essay copy uniport edu](#) - Nov 05 2022

web and install what are business june exam essay correspondingly simple what are business june exam essay downloaded from wodbydesign com by guest tristian

**what are business june exam essay copy uniport edu** - Mar 29 2022

web jan 30 2020 below is a list of different essay topics in this subject loyalty to the companies regulations trust and keeping of promises fairness in duty allocations

**what are business june exam essay pdf uniport edu** - Sep 03 2022

web a selection of free business essay questions which have been made available to help aid you in creating your own business essay question uk essays com the essay writing

**what are business june exam essay download only** - Oct 04 2022

web what are business june exam essay 1 6 downloaded from uniport edu ng on july 10 2023 by guest what are business june exam essay getting the books what are

**50 top business essay topics and ideas write on deadline** - Feb 25 2022

web aug 3 2023 q4 english speaking is must add answer q5 confidence should be at high level add answer interview preparation tips interview preparation tips for other job

**business school essay samples essay writing center** - Jul 01 2022

web jun 3 2023 have remained in right site to start getting this info acquire the what are business june exam essay join that we offer here and check out the link you could buy

**what are business june exam essay pdf uniport edu** - Feb 08 2023

web 2 what are business june exam essay 2023 08 20 what are business june exam essay downloaded from portal dlc ui edu ng by guest hester rosa acca

**pdf what are business june exam essay** - Aug 14 2023

web what are business june exam essay subject oriented business process management dynamic digital design of everything for very small businesses june 25 26 and 27 1962 feb 27 2022 will your business idea work dec 08 2022 harvard business

**50 best business essay topics 2023 updated** - May 11 2023

web acca approved and valid for exams from 01 sept 2017 up to 30 june 2018 becker s p2 corporate reporting int study text has been approved and quality assured by the

**sample business essay questions uk essays united kingdom** - Aug 02 2022

web to help set your business school application apart from the others having a stellar application essay can help tremendously before writing your own essay make sure you

**what are business june exam essay pdf uniport edu** - May 31 2022

web aug 1 2023 what are business june exam essay 1 8 downloaded from uniport edu ng on august 1 2023 by guest what are business june exam essay recognizing the

**what are business june exam essay pdf uniport edu** - Dec 26 2021

web jul 24 2023 what are business june exam essay 2 6 downloaded from uniport edu ng on july 24 2023 by guest seat we give you the intimate details test scores gpas

applied cost engineering worldcat org - Mar 14 2023

web applied cost engineering authors forrest d clark a b lorenzoni michael jimenez summary this thoroughly rewritten and updated third edition of a unique reference text offers comprehensive coverage of cost engineering emphasizing capital projects and focusing on both estimating and cost control

*tuition fee amounts anasayfa* - May 04 2022

web civil engineering 463 231 5 231 5 architecture 463 231 5 231 5 mechanical engineering 463 231 5 231 5 electrical electronics 463 231 5 231 5 mining 463 231 5 231 5 chemistry metallurgy 463 231 5 231 5 aeronautics astronautics 463 231 5 231 5 computer and informatics 463 231 5 231 5 management 480 240 240

*cost Türkiye bilimsel ve teknolojik araştırma* - Aug 07 2022

web cost aksiyonları kapsamında yönetim komitesi ve Çalışma grubu toplantıları çalıştaylar bilimsel konferanslar bilimsel kurslar kısa süreli bilimsel ziyaretler ve aksiyonlar kapsamında yürütülen çalışmalar sonucu çıkan yayınlar için maddi destek sağlanmaktadır cost kuruluşu resmi internet sitesi için tıklayınız

**applied cost engineering 3rd edition forrest clark routledge** - Aug 19 2023

web description this thoroughly rewritten and updated third edition offers comprehensive coverage of cost engineering emphasizing capital projects and focusing on both estimating and cost control

**about aace aace international** - Oct 09 2022

web about aace established in 1956 aace international is the association for the advancement of cost engineering together with the aace international certification institute it serves over 10 000 members and certificants in 100 countries

**cost engineering wikipedia** - May 16 2023

web cost engineering is the engineering practice devoted to the management of project cost involving such activities as estimating cost control cost forecasting investment appraisal and risk analysis cost engineers budget plan and monitor investment projects

applied cost engineering by forrest clark overdrive - Jul 06 2022

web nov 5 1996 this thoroughly rewritten and updated third edition offers comprehensive coverage of cost engineering emphasizing capital projects and focusing on both estimating and cost control maintaining and enhancing the style of presentation that made the

**applied cost engineering clark forrest lorenzoni a b** - Jan 12 2023

web nov 5 1996 paperback 22 39 118 85 8 used from 22 39 9 new from 114 08 this thoroughly rewritten and updated third edition offers comprehensive coverage of cost engineering emphasizing capital projects and focusing on

**applied cost engineering forrest clark a b lorenzoni taylor** - Jul 18 2023

web nov 4 1996 abstract this thoroughly rewritten and updated third edition offers comprehensive coverage of cost engineering emphasizing capital projects and focusing on both estimating and cost control maintaining and enhancing the style of presentation that made the previous editions so popular applied cost engineering third edition

applied cost engineering ciltli kapak 5 kasim 1996 - Nov 10 2022

web applied cost engineering clark forrest lorenzoni a b amazon com tr kitap

**pdf applied cost engineering by forrest clark perlego** - Jun 05 2022

web maintaining and enhancing the style of presentation that made the previous editions so popular applied cost engineering third edition furnishes an entirely new and cost effective approach to estimating and controlling contingency a new chapter on systems and computer applications a new chapter on bulk material control expanded coverage of

project cost estimating budgeting and value engineering skills - Dec 31 2021

web jun 25 2023 framework for applying value engineering in projects defining value and value engineering concepts and principles how and when is value engineering applied project definition through stakeholder analysis and management team player styles identifying relationships between value cost and worth overview of different value

**making cost engineering count mckinsey** - Apr 15 2023

web jul 23 2019 to capture the full value potential of cost engineering a fundamental mindset shift is required what is cost engineering we believe that companies should take a comprehensive perspective to cost engineering one that goes beyond attempts to reduce the purchase or manufacturing cost of individual components

**applied cost engineering clark forrest d 1923 free** - Dec 11 2022

web applied cost engineering by clark forrest d 1923 publication date 1978 topics cost control costs industrial kostenkontrolle publisher new york m dekker

**applied cost engineering forrest d clark a b lorenzoni** - Feb 13 2023

web maintaining and enhancing the style of presentation that made the previous editions so popular applied cost engineering third edition furnishes an entirely new and cost effective approach to estimating and controlling contingency a new chapter on systems and computer applications a new chapter on bulk material control expanded coverage of

**applied cost engineering third edition google books** - Jun 17 2023

web nov 5 1996 this thoroughly rewritten and updated third edition offers comprehensive coverage of cost engineering emphasizing capital projects and focusing on both estimating and cost control

*tuition fees acibadem Üniversitesi acibadem edu tr - Apr 03 2022*

web international students tuition fees degree faculty program language fee vat included undergraduate degree school of medicine medicine english 30 000 usd faculty of pharmacy pharmacy english 15 000 usd faculty of engineering and natural sciences biomedical

**cost türkiye bilimsel ve teknolojik araştırma** - Feb 01 2022

web cost aksiyon önerileri zahmetli ve uzmanlık gerektiren bir süreçtir Şimdiye dek türkiye den iki araştırmacının aksiyon önerisi cost tarafından kabul edilmiştir ancak kurallarına uygun sunulduğu sürece başvurunuzun onaylanma şansı her daim bulunmaktadır tÜbİtak olarak gerekli desteği vermekten memnuniyet duyarız 7

*applied cost engineering by forrest d clark open library - Sep 08 2022*

web jan 14 2023 pages 352 previews available in english subjects cost control costs industrial engineering engineering economy estimates industrial costs

**quotas and tuition fees international relations directorate** - Mar 02 2022

web mechanical engineering 4 30 english 5 885 vadi İstanbul computer engineering 4 60 english 5 885 vadi İstanbul computer engineering 4 60 turkish 5 885 vadi İstanbul electrical and electronics engineering 4 40 english 5 885 vadi İstanbul industrial engineering 4 60 english 5 885 vadi İstanbul biomedical