

HEALTHRIDER

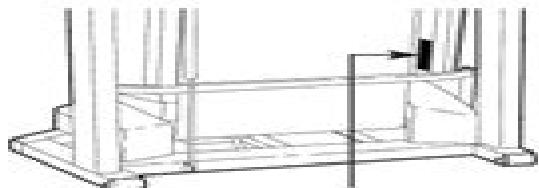
S O F T S T R I D E R

S300i

USER'S MANUAL

Model No. HRTL09990
Serial No. _____

Write the serial number in the space above for future reference.



Serial Number Decal

QUESTIONS?

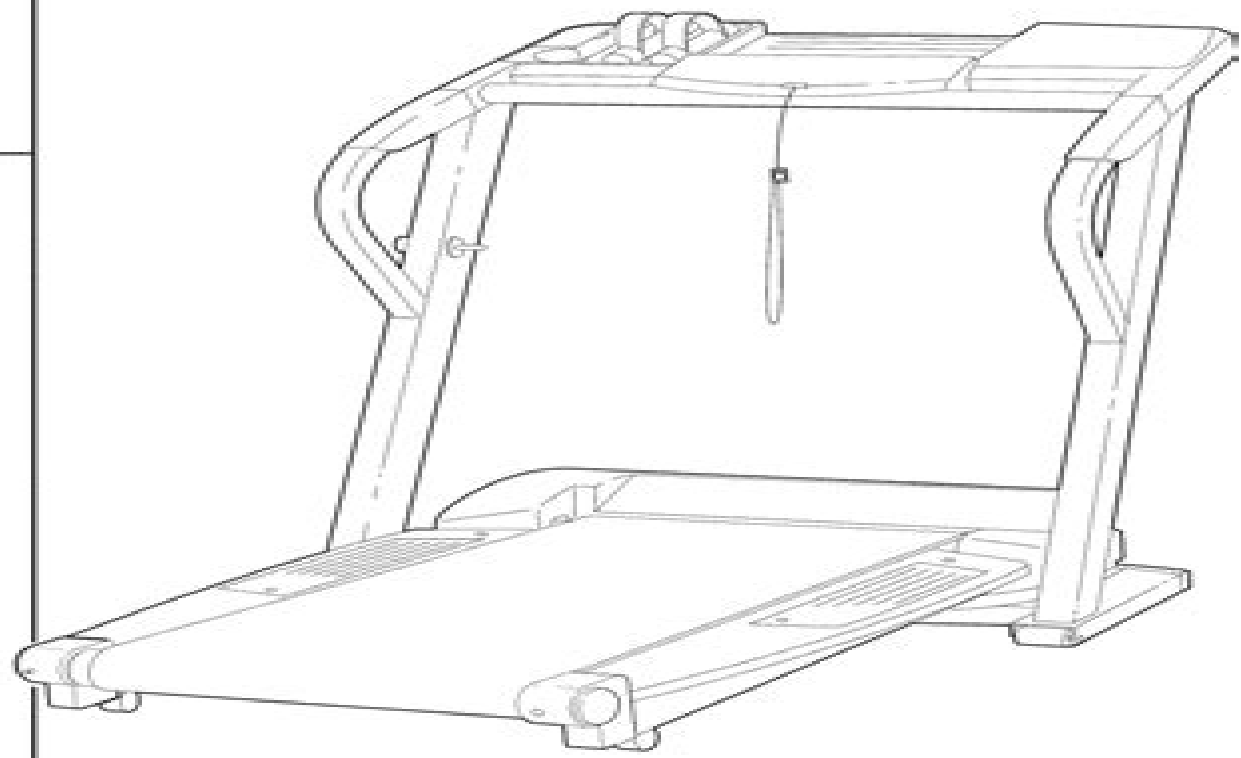
As a manufacturer, we are committed to providing complete customer satisfaction. If you have questions, or if there are missing parts, we will guarantee complete satisfaction through direct assistance from our factory.

TO AVOID UNNECESSARY DELAYS, PLEASE CALL DIRECT TO OUR TOLL-FREE CUSTOMER HOT LINE. The trained technicians on our customer hot line will provide immediate assistance, free of charge.

CUSTOMER HOT LINE:
1-800-999-3756
Mon.-Fri., 6 a.m.-6 p.m. MST

CAUTION

Read all precautions and instructions in this manual before using this equipment. Save this manual for future reference.



Visit our website at
www.healthrider.com
*new products, prizes,
fitness tips, and much more!*

Healthrider Manual User Guide

Huangqi Zhang



Healthrider Manual User Guide:

Adopting the Tune of Phrase: An Psychological Symphony within **Healthrider Manual User Guide**

In a global eaten by displays and the ceaseless chatter of fast interaction, the melodic splendor and emotional symphony created by the written word often diminish in to the back ground, eclipsed by the persistent noise and disruptions that permeate our lives. However, located within the pages of **Healthrider Manual User Guide** an enchanting literary prize overflowing with natural emotions, lies an immersive symphony waiting to be embraced. Constructed by a masterful composer of language, this charming masterpiece conducts readers on a mental trip, skillfully unraveling the hidden tunes and profound influence resonating within each carefully crafted phrase. Within the depths of the poignant analysis, we can discover the book is key harmonies, analyze its enthralling writing model, and submit ourselves to the profound resonance that echoes in the depths of readers souls.

https://staging.conocer.cide.edu/data/scholarship/index.jsp/Internationalisation_Of_Young_Hightech_Firms_An_Empirical_Analysis_In_Germany_And_The_United_Kingdom.pdf

Table of Contents Healthrider Manual User Guide

1. Understanding the eBook Healthrider Manual User Guide
 - The Rise of Digital Reading Healthrider Manual User Guide
 - Advantages of eBooks Over Traditional Books
2. Identifying Healthrider Manual User Guide
 - Exploring Different Genres
 - Considering Fiction vs. Non-Fiction
 - Determining Your Reading Goals
3. Choosing the Right eBook Platform
 - Popular eBook Platforms
 - Features to Look for in an Healthrider Manual User Guide
 - User-Friendly Interface
4. Exploring eBook Recommendations from Healthrider Manual User Guide

- Personalized Recommendations
 - Healthrider Manual User Guide User Reviews and Ratings
 - Healthrider Manual User Guide and Bestseller Lists
5. Accessing Healthrider Manual User Guide Free and Paid eBooks
 - Healthrider Manual User Guide Public Domain eBooks
 - Healthrider Manual User Guide eBook Subscription Services
 - Healthrider Manual User Guide Budget-Friendly Options
 6. Navigating Healthrider Manual User Guide eBook Formats
 - ePub, PDF, MOBI, and More
 - Healthrider Manual User Guide Compatibility with Devices
 - Healthrider Manual User Guide Enhanced eBook Features
 7. Enhancing Your Reading Experience
 - Adjustable Fonts and Text Sizes of Healthrider Manual User Guide
 - Highlighting and Note-Taking Healthrider Manual User Guide
 - Interactive Elements Healthrider Manual User Guide
 8. Staying Engaged with Healthrider Manual User Guide
 - Joining Online Reading Communities
 - Participating in Virtual Book Clubs
 - Following Authors and Publishers Healthrider Manual User Guide
 9. Balancing eBooks and Physical Books Healthrider Manual User Guide
 - Benefits of a Digital Library
 - Creating a Diverse Reading Collection Healthrider Manual User Guide
 10. Overcoming Reading Challenges
 - Dealing with Digital Eye Strain
 - Minimizing Distractions
 - Managing Screen Time
 11. Cultivating a Reading Routine Healthrider Manual User Guide
 - Setting Reading Goals Healthrider Manual User Guide
 - Carving Out Dedicated Reading Time
 12. Sourcing Reliable Information of Healthrider Manual User Guide

- Fact-Checking eBook Content of Healthrider Manual User Guide
 - Distinguishing Credible Sources
13. Promoting Lifelong Learning
- Utilizing eBooks for Skill Development
 - Exploring Educational eBooks
14. Embracing eBook Trends
- Integration of Multimedia Elements
 - Interactive and Gamified eBooks

Healthrider Manual User Guide Introduction

Free PDF Books and Manuals for Download: Unlocking Knowledge at Your Fingertips In today's fast-paced digital age, obtaining valuable knowledge has become easier than ever. Thanks to the internet, a vast array of books and manuals are now available for free download in PDF format. Whether you are a student, professional, or simply an avid reader, this treasure trove of downloadable resources offers a wealth of information, conveniently accessible anytime, anywhere. The advent of online libraries and platforms dedicated to sharing knowledge has revolutionized the way we consume information. No longer confined to physical libraries or bookstores, readers can now access an extensive collection of digital books and manuals with just a few clicks. These resources, available in PDF, Microsoft Word, and PowerPoint formats, cater to a wide range of interests, including literature, technology, science, history, and much more. One notable platform where you can explore and download free Healthrider Manual User Guide PDF books and manuals is the internet's largest free library. Hosted online, this catalog compiles a vast assortment of documents, making it a veritable goldmine of knowledge. With its easy-to-use website interface and customizable PDF generator, this platform offers a user-friendly experience, allowing individuals to effortlessly navigate and access the information they seek. The availability of free PDF books and manuals on this platform demonstrates its commitment to democratizing education and empowering individuals with the tools needed to succeed in their chosen fields. It allows anyone, regardless of their background or financial limitations, to expand their horizons and gain insights from experts in various disciplines. One of the most significant advantages of downloading PDF books and manuals lies in their portability. Unlike physical copies, digital books can be stored and carried on a single device, such as a tablet or smartphone, saving valuable space and weight. This convenience makes it possible for readers to have their entire library at their fingertips, whether they are commuting, traveling, or simply enjoying a lazy afternoon at home. Additionally, digital files are easily searchable, enabling readers to locate specific information within seconds. With a few keystrokes, users can search for keywords, topics, or phrases, making research and finding relevant information a breeze.

This efficiency saves time and effort, streamlining the learning process and allowing individuals to focus on extracting the information they need. Furthermore, the availability of free PDF books and manuals fosters a culture of continuous learning. By removing financial barriers, more people can access educational resources and pursue lifelong learning, contributing to personal growth and professional development. This democratization of knowledge promotes intellectual curiosity and empowers individuals to become lifelong learners, promoting progress and innovation in various fields. It is worth noting that while accessing free Healthrider Manual User Guide PDF books and manuals is convenient and cost-effective, it is vital to respect copyright laws and intellectual property rights. Platforms offering free downloads often operate within legal boundaries, ensuring that the materials they provide are either in the public domain or authorized for distribution. By adhering to copyright laws, users can enjoy the benefits of free access to knowledge while supporting the authors and publishers who make these resources available. In conclusion, the availability of Healthrider Manual User Guide free PDF books and manuals for download has revolutionized the way we access and consume knowledge. With just a few clicks, individuals can explore a vast collection of resources across different disciplines, all free of charge. This accessibility empowers individuals to become lifelong learners, contributing to personal growth, professional development, and the advancement of society as a whole. So why not unlock a world of knowledge today? Start exploring the vast sea of free PDF books and manuals waiting to be discovered right at your fingertips.

FAQs About Healthrider Manual User Guide Books

What is a Healthrider Manual User Guide PDF? A PDF (Portable Document Format) is a file format developed by Adobe that preserves the layout and formatting of a document, regardless of the software, hardware, or operating system used to view or print it. **How do I create a Healthrider Manual User Guide PDF?** There are several ways to create a PDF: Use software like Adobe Acrobat, Microsoft Word, or Google Docs, which often have built-in PDF creation tools. Print to PDF: Many applications and operating systems have a "Print to PDF" option that allows you to save a document as a PDF file instead of printing it on paper. Online converters: There are various online tools that can convert different file types to PDF. **How do I edit a Healthrider Manual User Guide PDF?** Editing a PDF can be done with software like Adobe Acrobat, which allows direct editing of text, images, and other elements within the PDF. Some free tools, like PDFescape or Smallpdf, also offer basic editing capabilities. **How do I convert a Healthrider Manual User Guide PDF to another file format?** There are multiple ways to convert a PDF to another format: Use online converters like Smallpdf, Zamzar, or Adobe Acrobats export feature to convert PDFs to formats like Word, Excel, JPEG, etc. Software like Adobe Acrobat, Microsoft Word, or other PDF editors may have options to export or save PDFs in different formats. **How do I password-protect a Healthrider**

Manual User Guide PDF? Most PDF editing software allows you to add password protection. In Adobe Acrobat, for instance, you can go to "File" -> "Properties" -> "Security" to set a password to restrict access or editing capabilities. Are there any free alternatives to Adobe Acrobat for working with PDFs? Yes, there are many free alternatives for working with PDFs, such as: LibreOffice: Offers PDF editing features. PDFsam: Allows splitting, merging, and editing PDFs. Foxit Reader: Provides basic PDF viewing and editing capabilities. How do I compress a PDF file? You can use online tools like Smallpdf, ILovePDF, or desktop software like Adobe Acrobat to compress PDF files without significant quality loss. Compression reduces the file size, making it easier to share and download. Can I fill out forms in a PDF file? Yes, most PDF viewers/editors like Adobe Acrobat, Preview (on Mac), or various online tools allow you to fill out forms in PDF files by selecting text fields and entering information. Are there any restrictions when working with PDFs? Some PDFs might have restrictions set by their creator, such as password protection, editing restrictions, or print restrictions. Breaking these restrictions might require specific software or tools, which may or may not be legal depending on the circumstances and local laws.

Find Healthrider Manual User Guide :

~~[internationalisation of young hightech firms an empirical analysis in germany and the united kingdom](#)~~

[internet investor](#)

[international trends in optics](#)

interpersonal communication selected readings

international securities law and regulation

interpretations and causes

[intl enc of technical analysis](#)

[international symposium on advanced techniques and clinical applications in biomedical thermology](#)

interviewing strategy techniques and tactics

interpretations of spirit baptism in the charismatic renewal movement treasures old and new

[interpreting neville](#)

[intimate couple](#)

[international treasury solutions 2004](#)

[international television and video almanac 1988](#)

[intimate strangers the margaret laurencegabrielle roy letters](#)

Healthrider Manual User Guide :

j balvin colores lyrics and tracklist genius - Apr 20 2022

web mar 19 2020 blanco lyrics lanzado el 19 de marzo de 2020 colores es el sexto álbum de estudio lanzado por el artista colombiano j balvin con la salida de blanco j balvin daría la iniciativa de lo

el color rojo significados usos diseño thecolorblog - Mar 20 2022

web jan 14 2023 su código hexadecimal es ff0000 información sobre el rojo ff0000 en un espacio de color rgb el hexadecimal ff0000 está hecho de 100 rojo 0 verde y 0 azul

j balvin rojo lyrics genius lyrics - May 22 2022

web feb 27 2020 rojo lyrics colores yeah j balvin man leggo leggo a quién le mientes si en tu soledad quieres verme otra ve por ti respondo lo que tú me das lo que nadie sabe me decido por

color rojo para niños youtube - Dec 17 2021

web en este vídeo aprenderemos a identificar el color rojo de una manera divertida y entretenida ampliando nuestro vocabulario y aprendizaje ayúdanos a seguir

color rojo colores org es - Aug 25 2022

web la composicion por componentes rgb del color rojo se refiere a la cantidad de cada uno de estos colores primario que contiene el color rojo es un sistema llamado aditivo ya que permite representar un color mediante la mezcla por adición de los tres colores de luz primarios el rojo r verde g y azul b rojo 255 verde 0 azul 0

rojo wikipedia la enciclopedia libre - Jun 03 2023

web se considera que el rojo es un color cálido con una relación con el fuego y la incandescencia el rojo estándar puede verse en el recuadro de la derecha arriba los valores que se dan debajo corresponden al mismo la denominación de color rojo abarca al conjunto de coloraciones similares al estándar rojizas 4 etimología

spanish red rojo color colorxs com - Oct 27 2022

web in the rgb color model spanish red rojo has a red value of 230 a green value of 0 and a blue value of 38 the cmyk color model also known as process color used in color printing comprises 0 0 cyan 100 0 magenta 83 5 yellow and 9 8 key black the hsl color scale has a hue of 350 1 degrees 100 0 saturation and 45 1

j balvin rojo official lyric video youtube - Sep 06 2023

web mar 12 2020 colores out now jbalvin lnk to coloresydshop jbalvinstore universalmusica comsubscribe to my youtube channel here youtube com

j balvin rojo official video youtube - Oct 07 2023

web j balvin rojo official video j balvin 34 2m subscribers subscribe subscribed 1 2 3 4 5 6 7 8 9 0 1 2 3 4 5 6 7 8 9 0 1 2 3 4 5

6 7 8 9 1 2 3

tabla de códigos de colores rgb rt - Nov 27 2022

web rojo verde azul espacio de color rgb espacio de color rgb o sistema de color rgb construye todos los colores de la combinación de la r ed g reen y b colores lue el rojo el verde y el azul usan 8 bits cada uno que tienen valores enteros de 0 a 255 esto hace que 256 256 256 16777216 colores posibles rgb rojo verde azul

tipos de rojo clases categorías y clasificación - Jan 18 2022

web el rojo es un color que está muy presente en nuestra vida cotidiana porque como sabrán esta tonalidad identifica a ciertas flores a los corazones a los tomates a la sangre a las banderas que alertan sobre algún peligro y a las frutillas por citar algunas referencias se puede hablar en este marco de rojos intensos del rojo espectral tono del espectro

cómo llevar pantalones de terciopelo en otoño 2023 vogue - Nov 15 2021

web 1 day ago cortesía 3 pantalones de terciopelo rojo el rojo en todos sus matices es el color que se lleva para el otoño invierno 2023 desde el clásico burdeos hasta el óxido pasando por colores de moda como el tomate y el cereza perfecto para lucir en looks incluso durante las fiestas navideñas pero no solo

paletas de color rojo códigos combinaciones - Aug 05 2023

web monocromático complementario análogo tríada 7f0000 explorar bd0003 explorar ff0000 explorar ff6c3e explorar ffa372 explorar paleta de colores rojo paletas de color rojo tipos y combinaciones

códigos de colores html - Jul 24 2022

web fácilmente encontrar códigos de colores html para su sitio web utilizando nuestro selector de color tabla de color y de color html nombres con códigos hex color rgb y valores hsl los tres colores primarios rojo verde y azul están elaborados con una mezcla la mayor intensidad del color deseado con la menor intensidad de los otros

código de color rojo html rgb color rojo rt - Apr 01 2023

web colores rojos rgb códigos de color rojo código de color rgb rojo código de color rojo hex rgb ff0000 255 65536 0 256 0 255 0 0 rojo 255 verde 0 azul 0 tabla de códigos de color rojo color nombre de color html css código hexadecimal rrggbb código decimal r g b

ff6961 código hex de combinaciones de colores paletas y - Feb 16 2022

web el código de color hexadecimal ff6961 es una sombra claro medio de rojo en el modelo de color rgb ff6961 dicho color se compone de 100 de rojo 41 18 de verde y 38 04 de azul en el espacio de color hsl ff6961 tiene un tono de 3 grados 100 de saturación y 69 de luminosidad este color tiene una longitud de onda aproximada de

color rojo paleta de colores - Dec 29 2022

web color rojo el color rojo es considerado el color más vibrante dentro de la paleta de colores se trata del más puro y

saturado de los colores calientes el color rojo contiene un gran número de coloraciones llamadas rojizas los colores web rojos en html más utilizados así como sus referencias en hexadecimal rgb y en cmyk son

[learn the colors in spanish colors song for kids canción de los colores](#) - Sep 25 2022

web dec 13 2018 join our platform with ad free videos exclusive content cantaconjess tv the colors in spanish by a native spanish speaker with phrases too co

lista de colores wikilengua - Jan 30 2023

web en las siguientes tablas se da una lista de colores están agrupados por similitud de modo que a cada color básico se le han asociado sus matices el matiz es la cualidad que permite diferenciar un color de otro permite clasificarlo en términos de rojizo verdoso azulado etc se refiere a la ligera variación de tono que un color hace en el círculo

anexo colores wikipedia la enciclopedia libre - Jul 04 2023

web rojos sin muestra de color cartamina tonalidades rojas naranja naranjas ejemplos y coloraciones similares marrones o pardos otros ejemplos y tipos de marrón marrones sin muestra de color acicoria albero amarillos amarillos sin muestra de color amarillo de plata amarillo monoazo amarillos verde té verde verdes color verde bosque del sauce llorón

three colors red 1994 imdb - Jun 22 2022

web nov 23 1994 three colors red original title trois couleurs rouge 1994 r 1h 39m imdb rating 8.1/10 108k your rating rate play trailer 1/41/2 videos 99 photos drama mystery romance a model discovers a retired judge is keen on invading people's privacy director krzysztof Kieslowski writers krzysztof Kieslowski krzysztof Piesiewicz

[colores wikipedia](#) - Feb 28 2023

web colores colores english colors is the fourth 1 solo studio album fifth overall by colombian reggaeton singer j balvin released on 19 march 2020 through universal latin 2 the album was produced by sky rompiendo 3 it was preceded by the singles blanco morado and rojo with the latter being released the same day as the album

[red rojo ff0000 f00 código hex de combinaciones de colores](#) - May 02 2023

web comex rojo 000 23 el color red rojo con el código de color hexadecimal ff0000 f00 es una sombra de rojo en el modelo de color rgb ff0000 dicho color se compone de 100 de rojo 0 de verde y 0 de azul en el espacio de color hsl ff0000 tiene un tono de 0 grados 100 de saturación y 50 de luminosidad

browse editions for omringd door idioten the storygraph - Aug 01 2022

web omringd door idioten helpt je collega's vrienden en familie beter te begrijpen je hoeft echt geen coach te zijn om omringd door idioten te kunnen lezen en het werkt

omringd door idioten review annekeschrijft.com - Mar 28 2022

web omringd door idioten dutch edition downloaded from db csda.org by guest cristina maximilian it didn't start with you

voracious dutch a comprehensive grammar is a

[omringd door idioten dutch edition by thomas erikson](#) - Sep 14 2023

web dec 17 2019 omringd door idioten ebook beter communiceren met collega s vrienden en familie auteur thomas erikson taal nederlands 3 7 5 3 reviews delen

[omringd door idioten ebook thomas erikson bol com](#) - Aug 13 2023

web jun 26 2018 buy omringd door idioten dutch edition read kindle store reviews amazon com

[pdf epub omringd door idioten dutch edition](#) - Oct 15 2023

web jun 4 2014 thomas erikson leert je om op praktische en eenvoudige wijze dit kleurenschema toe te passen omringd door idioten helpt je collega s vrienden en

omringd door slechte bazen dutch edition kindle edition - Jan 06 2023

web find helpful customer reviews and review ratings for omringd door idioten dutch edition at amazon com read honest and unbiased product reviews from our users

amazon co uk customer reviews omringd door idioten dutch - Dec 05 2022

web oct 25 2023 omringd door idioten dutch edition by thomas erikson juliette von knilling s review oct 25 2023 it was amazing i think this is a very important book to

[boek recensie omringd door idioten coolesuggesties](#) - Dec 25 2021

web omringd door idioten thomas erikson 8 hours 11 minutes first pub 2014 format audio language dutch publisher not specified publication date not specified

[omringd door idioten dutch edition copy db csda](#) - Feb 24 2022

web omringd door idioten inzicht in de vier gedragstypes erikson thomas amazon com au books

omringd door idioten beter communiceren met collega s - May 10 2023

web omringd door idioten dutch edition ebook erikson thomas jongeneel wiveca amazon de kindle shop

omringd door tegenslag dutch edition by thomas erikson - Feb 07 2023

web van de bestsellerauteur van omringd door idioten hoe om te gaan met idioten op de werkvloer wordt jouw kracht op de werkvloer vaak onderschat voel je je

omringd door idioten inzicht in de vier gedragstypes of hoe - Apr 28 2022

web jul 10 2018 omringd door idioten is een populair boek het is al in twintig talen vertaald en alleen al in zweden zijn er al ruim 600 000 exemplaren van verkocht de schrijver wil

omringd door idioten dutch edition kindle ausgabe amazon de - Apr 09 2023

web omringd door idioten dutch edition ebook erikson thomas jongeneel wiveca amazon de kindle store

omringd door idioten reader q a goodreads - Oct 03 2022

web add edition current edition omringd door idioten thomas erikson omringd door idioten thomas erikson nonfiction business psychology self help informative medium

omringd door idioten dutch edition kindle edition - Jul 12 2023

web jun 4 2014 surrounded by idiots the four types of human behavior and how to effectively communicate with each in business and in life the surrounded by idiots

europese omroep omringd door idioten thomas erikson - Jun 30 2022

web omringd door idioten thomas erikson 318 pages first pub 2014 isbn uid 9789402710236 format paperback language dutch publisher not specified

juliette von knilling s review of omringd door idioten goodreads - Nov 04 2022

web readers questions about omringd door idioten dutch edition 3 questions answered

editions of surrounded by idiots by thomas erikson goodreads - Jun 11 2023

web omringd door idioten beter communiceren met collega s vrienden en familie dutch edition by erikson thomas isbn 10 9402701443 isbn 13 9789402701449

browse editions for omringd door idioten the storygraph - Sep 02 2022

web add edition current edition omringd door idioten thomas erikson 8 hours 11 minutes

omringd door idioten by thomas erikson the storygraph - Nov 23 2021

omringd door idioten dutch edition kindle edition amazon de - Mar 08 2023

web aan de hand van de vier gedragstypes die hij uitgebreid beschreef in zijn boek omringd door idioten legt hij uit hoe deze gedragstypes met tegenslagen omgaan en dit kunnen

omringd door idioten inzicht in de vier gedragstypes - Jan 26 2022

web oct 12 2018 het boek omringd door idioten laat je zien hoe mensen op te delen zijn in vier categorieën op basis van gedrag het boek is makkelijk geschreven en is zeker geen

omringd door idioten by thomas erikson the storygraph - May 30 2022

web buy omringd door idioten inzicht in de vier gedragstypes of hoe hen te begrijpen die niet begrepen kunnen worden heruitgave by erikson thomas isbn 9789402710236

pdf instructor s solutions manual to accompany power system analysis - Sep 20 2023

web instructor s solutions manual to accompany power system analysis and design fifth edition pdf instructor s solutions manual to accompany power system analysis and design fifth edition saif ali academia edu

glover power system analysis design 5esolutions studylib net - Aug 19 2023

web free essays homework help flashcards research papers book reports term papers history science politics

power system analysis and design j d glover t j overbye - Dec 11 2022

web the objective of this book is to present methods of power system analysis and design particularly with the aid of a personal computer in sufficient depth to give the student the basic theory at the undergraduate level

power system analysis and design 5th edition solutions quizlet - Feb 13 2023

web now with expert verified solutions from power system analysis and design 5th edition you ll learn how to solve your toughest homework problems our resource for power system analysis and design includes answers to chapter exercises as well as detailed information to walk you through the process step by step

power system analysis design si version 5th edition textbook chegg - Mar 14 2023

web unlike static pdf power system analysis design si version 5th edition solution manuals or printed answer keys our experts show you how to solve each problem step by step no need to wait for office hours or assignments to be

power system analysis and design 5th ee297 b academia edu - Sep 08 2022

web power system analysis and design j d glover t j overbye m s sarma oliver lm the objective of this book is to present methods of power system analysis and design particularly with the aid of a personal computer in sufficient depth to give the student the basic theory at the undergraduate level

power system analysis and design 5th edition glover solutions manual - Oct 09 2022

web mar 14 2023 power system analysis and design 5th edition glover solutions manual full download

solutions manual for power system analysis and design 5th edition by glover - May 04 2022

web feb 21 2019 solutions manual for power system analysis and design 5th edition by glover full download

power system analysis and design google books - Mar 02 2022

web cengage learning jan 1 2022 technology engineering 864 pages examine the basic concepts behind today s power systems as well as the tools you need to apply your newly acquired skills to real world situations with power system analysis and design 7th

5th edition amazon com - Aug 07 2022

web jan 3 2011 power system analysis and design fifth edition 5th edition by j duncan glover author mulukutla s sarma author thomas overbye author 0 more 4 4 4 4 out of 5 stars 91 ratings

power system analysis and design pdf 211pm0bi2ugg e - Jun 05 2022

web introduce the basic concepts of power systems as well as the tools students need to apply these skills to real world situations with power system analysis and design 6e this new edition highlights physical concepts while also giving necessary

attention to mathematical techniques

[power system analysis and design solution manual pdf](#) - Oct 21 2023

web power system analysis and design solution manual pdf 64qou33g4m40 the new edition of glover and sarma s highly respected text provides students with an introduction to the basic concepts vdoc pub

[power system analysis and design textbook solutions chegg](#) - Apr 15 2023

web power system analysis and design 5th edition by j duncan glover thomas overbye j duncan j duncan glover glover mulukutla s sarma 766 power system analysis and design 6th edition by j d glover thomas overbye mulukutla s sarma

power system analysis and design 5th edition solutions - May 16 2023

web verified textbook solutions need answers to power system analysis and design 5th edition published by cengage learning get help now with immediate access to step by step textbook answers solve your toughest engineering and

solved chapter 12 problem 19p solution power system analysis - Nov 10 2022

web corresponding textbook 9781133172871 j duncan glover thomas overbye j duncan j duncan glover glover mulukutla s sarma rent buy this is an alternate isbn view the primary isbn for power system analysis and design 5th edition textbook solutions

2012 jdj power systems analysis and design 5th ed tanda - Jul 18 2023

web sep 18 2020 book title power system analysis and design 5th edition book author j duncan glover mulukutla s sarma thomas j overbye book isbn 978 1 111 42577 7 book copyright 2012 book publisher cengage learning addeddate 2020 09 18 14 31 09 identifier 2012 jdj power systems analysis and design 5th ed tand a

solutions manual to accompany power system analysis and design - Jan 12 2023

web solutions manual to accompany power system analysis and design with personal computer applications glover j d staff j duncan glover sarma m staff pws publishers 1987 electric

power system analysis and design fifth edition hardcover - Apr 03 2022

web power system analysis and design fifth edition by glover j duncan sarma mulukutla s overbye thomas isbn 10 1111425779 isbn 13 9781111425777 cengage learning 2011 hardcover

[solutions manual for power system analysis and design 5th edition by glover](#) - Jul 06 2022

web the real power absorbed by the load is given by $p = 120 \cdot 6 \cdot 63 \cdot \cos 56.4^\circ = 440 \text{ W}$ which can be checked by $i_r^2 = 6 \cdot 63 \cdot 10 \cdot 440 \text{ W}^2$ the reactive power absorbed by the load is $q = 120 \cdot 6 \cdot 63 \cdot \sin 36.4^\circ = 663 \text{ var}$ c peak magnetic energy $w_{li} = 0.04 \cdot 6 \cdot 63 \cdot 1 \cdot 76 \cdot 2 \cdot q \cdot \omega = 377 \cdot 1 \cdot 76 \cdot 663 \text{ var}$ is satisfied $2 \cdot 17 \cdot a \cdot \text{svi} \cdot z_{ii} \cdot j \cdot l_i \cdot 2 \cdot 2 \cdot \omega$

[power system analysis and design solutions manual chegg](#) - Jun 17 2023

web get instant access to our step by step power system analysis and design solutions manual our solution manuals are

written by chegg experts so you can be assured of the highest quality