

⚠ WARNING
 Power head must be unplugged before working on each other.

⚠ CAUTION
 Use of an incorrect wire will cause the light not to work.
 Do not touch the wires to malfunction. Do not touch the wires.

1. Place the wall control:
 - In sight of door
 - At least 5 feet from floor, so small children can not reach it.
 - Away from moving parts of door and door hardware.
2. Use staples to fasten wire to ceiling and wall.
3. Remove 1/2" insulation from each wire (Fig. 3-6)(pg. 19).
4. Attach wall control (Fig. 4-1a, 4-1b).
 - Loosen, but Do Not remove screw from terminal.
 - Connect striped wires to terminal "2" on power head and "B" on wall control.
 - Connect white wire to terminal "1" on power head and "W" on wall control.
 - Connect striped wires to terminal "1" on power head and "B" on wall control.
 - Connect white wire to terminal "2" on power head and "W" on wall control.
5. Mount wall control (Fig. 4-2).
 - Use two pan head screws.
 - Remove protective backing and stick near wall control.
 - Use tacks or staples to permanently mount Label.
 - Make sure everyone reads and follows WARNINGS.

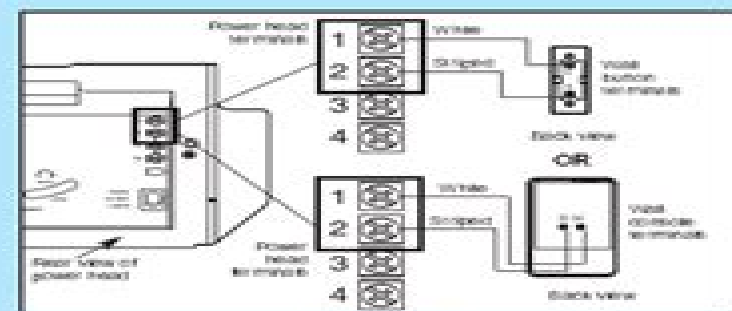


Fig. 4-1a

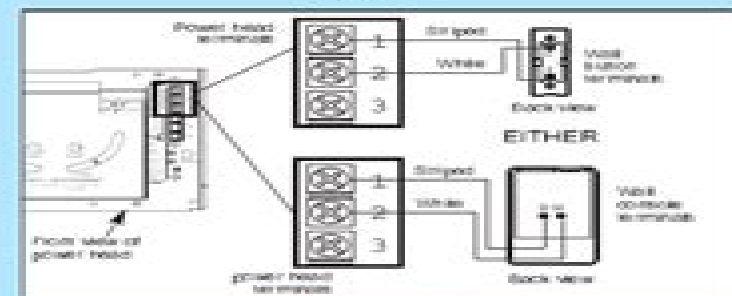


Fig. 4-1b

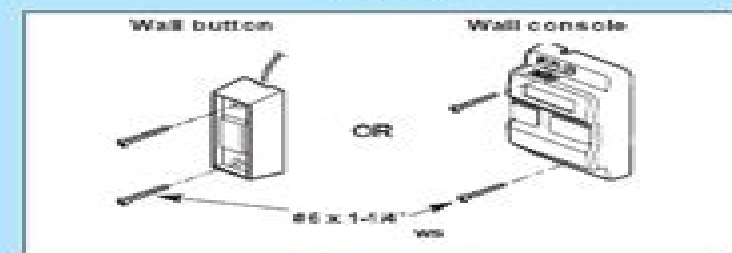
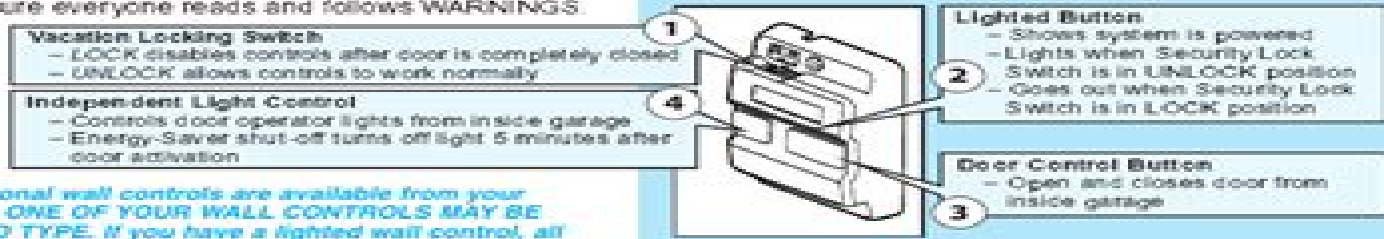


Fig. 4-2



Vacation Locking Switch
 - LOCK disables controls after door is completely closed
 - UNLOCK allows controls to work normally

Independent Light Control
 - Controls door operator lights from inside garage
 - Energy-Saver shut-off turns off light 5 minutes after door activation

Lighted Button
 - Shows system is powered
 - Lights when Security Lock Switch is in UNLOCK position
 - Goes out when Security Lock Switch is in LOCK position

Door Control Button
 - Open and closes door from inside garage

NOTE: Additional wall controls are available from your dealer. ONLY ONE OF YOUR WALL CONTROLS MAY BE THE LIGHTED TYPE. If you have a lighted wall control, all your additional controls must be un-lighted. More than one lighted wall control per operator will cause a malfunction.

Fig. 4-3

Genie Pro Max Model Pmx500ic B Manual

Didier Musso



Genie Pro Max Model Pmx500ic B Manual:

This is likewise one of the factors by obtaining the soft documents of this **Genie Pro Max Model Pmx500ic B Manual** by online. You might not require more grow old to spend to go to the ebook instigation as skillfully as search for them. In some cases, you likewise pull off not discover the proclamation Genie Pro Max Model Pmx500ic B Manual that you are looking for. It will agreed squander the time.

However below, when you visit this web page, it will be thus no question easy to get as capably as download lead Genie Pro Max Model Pmx500ic B Manual

It will not receive many times as we notify before. You can attain it while ham it up something else at house and even in your workplace. correspondingly easy! So, are you question? Just exercise just what we come up with the money for below as capably as evaluation **Genie Pro Max Model Pmx500ic B Manual** what you in the manner of to read!

https://staging.conocer.cide.edu/files/browse/Download_PDFS/Meacutemoires_De_La_Grande_Guerre.pdf

Table of Contents Genie Pro Max Model Pmx500ic B Manual

1. Understanding the eBook Genie Pro Max Model Pmx500ic B Manual
 - The Rise of Digital Reading Genie Pro Max Model Pmx500ic B Manual
 - Advantages of eBooks Over Traditional Books
2. Identifying Genie Pro Max Model Pmx500ic B Manual
 - Exploring Different Genres
 - Considering Fiction vs. Non-Fiction
 - Determining Your Reading Goals
3. Choosing the Right eBook Platform
 - Popular eBook Platforms
 - Features to Look for in an Genie Pro Max Model Pmx500ic B Manual
 - User-Friendly Interface
4. Exploring eBook Recommendations from Genie Pro Max Model Pmx500ic B Manual

- Personalized Recommendations
 - Genie Pro Max Model Pmx500ic B Manual User Reviews and Ratings
 - Genie Pro Max Model Pmx500ic B Manual and Bestseller Lists
5. Accessing Genie Pro Max Model Pmx500ic B Manual Free and Paid eBooks
- Genie Pro Max Model Pmx500ic B Manual Public Domain eBooks
 - Genie Pro Max Model Pmx500ic B Manual eBook Subscription Services
 - Genie Pro Max Model Pmx500ic B Manual Budget-Friendly Options
6. Navigating Genie Pro Max Model Pmx500ic B Manual eBook Formats
- ePub, PDF, MOBI, and More
 - Genie Pro Max Model Pmx500ic B Manual Compatibility with Devices
 - Genie Pro Max Model Pmx500ic B Manual Enhanced eBook Features
7. Enhancing Your Reading Experience
- Adjustable Fonts and Text Sizes of Genie Pro Max Model Pmx500ic B Manual
 - Highlighting and Note-Taking Genie Pro Max Model Pmx500ic B Manual
 - Interactive Elements Genie Pro Max Model Pmx500ic B Manual
8. Staying Engaged with Genie Pro Max Model Pmx500ic B Manual
- Joining Online Reading Communities
 - Participating in Virtual Book Clubs
 - Following Authors and Publishers Genie Pro Max Model Pmx500ic B Manual
9. Balancing eBooks and Physical Books Genie Pro Max Model Pmx500ic B Manual
- Benefits of a Digital Library
 - Creating a Diverse Reading Collection Genie Pro Max Model Pmx500ic B Manual
10. Overcoming Reading Challenges
- Dealing with Digital Eye Strain
 - Minimizing Distractions
 - Managing Screen Time
11. Cultivating a Reading Routine Genie Pro Max Model Pmx500ic B Manual
- Setting Reading Goals Genie Pro Max Model Pmx500ic B Manual
 - Carving Out Dedicated Reading Time
12. Sourcing Reliable Information of Genie Pro Max Model Pmx500ic B Manual

- Fact-Checking eBook Content of Genie Pro Max Model Pmx500ic B Manual
 - Distinguishing Credible Sources
13. Promoting Lifelong Learning
- Utilizing eBooks for Skill Development
 - Exploring Educational eBooks
14. Embracing eBook Trends
- Integration of Multimedia Elements
 - Interactive and Gamified eBooks

Genie Pro Max Model Pmx500ic B Manual Introduction

In this digital age, the convenience of accessing information at our fingertips has become a necessity. Whether its research papers, eBooks, or user manuals, PDF files have become the preferred format for sharing and reading documents. However, the cost associated with purchasing PDF files can sometimes be a barrier for many individuals and organizations. Thankfully, there are numerous websites and platforms that allow users to download free PDF files legally. In this article, we will explore some of the best platforms to download free PDFs. One of the most popular platforms to download free PDF files is Project Gutenberg. This online library offers over 60,000 free eBooks that are in the public domain. From classic literature to historical documents, Project Gutenberg provides a wide range of PDF files that can be downloaded and enjoyed on various devices. The website is user-friendly and allows users to search for specific titles or browse through different categories. Another reliable platform for downloading Genie Pro Max Model Pmx500ic B Manual free PDF files is Open Library. With its vast collection of over 1 million eBooks, Open Library has something for every reader. The website offers a seamless experience by providing options to borrow or download PDF files. Users simply need to create a free account to access this treasure trove of knowledge. Open Library also allows users to contribute by uploading and sharing their own PDF files, making it a collaborative platform for book enthusiasts. For those interested in academic resources, there are websites dedicated to providing free PDFs of research papers and scientific articles. One such website is Academia.edu, which allows researchers and scholars to share their work with a global audience. Users can download PDF files of research papers, theses, and dissertations covering a wide range of subjects. Academia.edu also provides a platform for discussions and networking within the academic community. When it comes to downloading Genie Pro Max Model Pmx500ic B Manual free PDF files of magazines, brochures, and catalogs, Issuu is a popular choice. This digital publishing platform hosts a vast collection of publications from around the world. Users can search for specific titles or explore various categories and genres. Issuu offers a seamless reading experience with its user-friendly interface and allows users to download PDF files for

offline reading. Apart from dedicated platforms, search engines also play a crucial role in finding free PDF files. Google, for instance, has an advanced search feature that allows users to filter results by file type. By specifying the file type as "PDF," users can find websites that offer free PDF downloads on a specific topic. While downloading Genie Pro Max Model Pmx500ic B Manual free PDF files is convenient, it's important to note that copyright laws must be respected. Always ensure that the PDF files you download are legally available for free. Many authors and publishers voluntarily provide free PDF versions of their work, but it's essential to be cautious and verify the authenticity of the source before downloading Genie Pro Max Model Pmx500ic B Manual. In conclusion, the internet offers numerous platforms and websites that allow users to download free PDF files legally. Whether it's classic literature, research papers, or magazines, there is something for everyone. The platforms mentioned in this article, such as Project Gutenberg, Open Library, Academia.edu, and Issuu, provide access to a vast collection of PDF files. However, users should always be cautious and verify the legality of the source before downloading Genie Pro Max Model Pmx500ic B Manual any PDF files. With these platforms, the world of PDF downloads is just a click away.

FAQs About Genie Pro Max Model Pmx500ic B Manual Books

1. Where can I buy Genie Pro Max Model Pmx500ic B Manual books? Bookstores: Physical bookstores like Barnes & Noble, Waterstones, and independent local stores. Online Retailers: Amazon, Book Depository, and various online bookstores offer a wide range of books in physical and digital formats.
2. What are the different book formats available? Hardcover: Sturdy and durable, usually more expensive. Paperback: Cheaper, lighter, and more portable than hardcovers. E-books: Digital books available for e-readers like Kindle or software like Apple Books, Kindle, and Google Play Books.
3. How do I choose a Genie Pro Max Model Pmx500ic B Manual book to read? Genres: Consider the genre you enjoy (fiction, non-fiction, mystery, sci-fi, etc.). Recommendations: Ask friends, join book clubs, or explore online reviews and recommendations. Author: If you like a particular author, you might enjoy more of their work.
4. How do I take care of Genie Pro Max Model Pmx500ic B Manual books? Storage: Keep them away from direct sunlight and in a dry environment. Handling: Avoid folding pages, use bookmarks, and handle them with clean hands. Cleaning: Gently dust the covers and pages occasionally.
5. Can I borrow books without buying them? Public Libraries: Local libraries offer a wide range of books for borrowing. Book Swaps: Community book exchanges or online platforms where people exchange books.

6. How can I track my reading progress or manage my book collection? Book Tracking Apps: Goodreads, LibraryThing, and Book Catalogue are popular apps for tracking your reading progress and managing book collections. Spreadsheets: You can create your own spreadsheet to track books read, ratings, and other details.
7. What are Genie Pro Max Model Pmx500ic B Manual audiobooks, and where can I find them? Audiobooks: Audio recordings of books, perfect for listening while commuting or multitasking. Platforms: Audible, LibriVox, and Google Play Books offer a wide selection of audiobooks.
8. How do I support authors or the book industry? Buy Books: Purchase books from authors or independent bookstores. Reviews: Leave reviews on platforms like Goodreads or Amazon. Promotion: Share your favorite books on social media or recommend them to friends.
9. Are there book clubs or reading communities I can join? Local Clubs: Check for local book clubs in libraries or community centers. Online Communities: Platforms like Goodreads have virtual book clubs and discussion groups.
10. Can I read Genie Pro Max Model Pmx500ic B Manual books for free? Public Domain Books: Many classic books are available for free as they're in the public domain. Free E-books: Some websites offer free e-books legally, like Project Gutenberg or Open Library.

Find Genie Pro Max Model Pmx500ic B Manual :

meacutemoires de la grande guerre

mcm 350 mag mpi service manual

mecc alte spa wire diagram

mcgrawhill financial accounting edition exercise answers

mean range quartile work sheet

mechanical technology examplar 2014

mechanical drawing nprevious question papers

measuring up answer key level h

mcgrawhill leveled dra level

md 30 volvo manual

mechanical technology june exam 2014

mcts guide to windows server 2008 active directory configuration

mcq related mhcet testis

mechanical engineering reference manual index
mechanical drawing piping symbols

Genie Pro Max Model Pmx500ic B Manual :

sitting bull toro sentado sioux war chief jefe sioux alibris - Oct 02 2022

web buy sitting bull toro sentado sioux war chief jefe sioux by chris hayhurst online at alibris we have new and used copies available in 1 editions starting at 2 98 shop now

[category sitting bull wikimedia commons](#) - Sep 01 2022

web english sitting bull c 1831 december 15 1890 was a hunkpapa lakota sioux holy man who led his people as a war chief during years of resistance to united states government policies

chief sitting bull tatanka iyotake indigenous people - Mar 27 2022

web feb 8 1996 chief sitting bull tatanka iyotake hunkpapa sioux 1831 1890 lakota medicine man and chief was considered the last sioux to surrender to the u s government the capture of sitting bull submitted by kathy johnson quotes from chief sitting bull if the great spirit had desired me to be a white man he would have made

sitting bull killed by indian police history - Jan 05 2023

web nov 16 2009 sitting bull s refusal to follow an 1875 order to bring his people to the sioux reservation directly led to the famous battle of the little bighorn during which the sioux and cheyenne wiped out

sitting bull the civil war - May 29 2022

web chief sitting bull sitting bull 1837 1890 was a beloved medicine man and chief of the sioux indian tribe chief sitting bull was born in about 1837 in what is now north dakota he was the son of sioux chief jumping bull he gained significant influence among the restless and dissatisfied young indians

sitting bull toro sentado sioux war chief jefe si pdf pdf - Feb 23 2022

web toro sentado gerónimo y nube roja que las más de las veces pelearon forzados defendiendo a sus mujeres y niños en un combate que sabían perdido de antemano empero no hay sensiblería no se hurtan ni las mezquindades ni el racismo latente en buena parte de la administración estadounidense ni las continuas querellas intestinas y

sitting bull toro sentado sioux war chief jefe sioux - Jun 10 2023

web aug 28 2003 the colorful life of sitting bull is explored from the battle of the little bighorn to his death by the hands of reservation police during the ghost dance turmoil full color 32 pages hardcover

sitting bull toro sentado sioux war chief jefe sioux google - Aug 12 2023

web sitting bull first went to battle at the age of 14 he grew to be widely respected for his bravery and insight and became

chief of the lakota nation in his thirties by the time he met

sitting bull sioux war chief toro sentado jefe sioux - Jun 29 2022

web click to read more about sitting bull sioux war chief toro sentado jefe sioux by chris hayhurst librarything is a cataloging and social networking site for booklovers all about sitting bull sioux war chief toro sentado jefe sioux by chris hayhurst

sitting bull toro sentado sioux war chief jefe sioux library - Jul 11 2023

web sitting bull toro sentado sioux war chief jefe sioux hayhurst chris amazon sg books

sitting bull 2004 edition open library - Mar 07 2023

web sitting bull sioux war chief toro sentado jefe sioux 1st bilingual ed by chris hayhurst 0 ratings 0 want to read 0 currently reading 0 have read

biblio toro sentado sitting bull jefe sioux sioux war chief - Feb 06 2023

web find the best prices on toro sentado sitting bull jefe sioux sioux war chief by chris hayhurst at biblio library binding 2003 rosen young adult 1st edition 9780823941445

sitting bull toro sentado sioux war chief jefe sioux primary - Nov 03 2022

web sitting bull toro sentado sioux war chief jefe sioux primary sources of famous people in american history english and spanish edition by hayhurst chris isbn 10 082394168x isbn 13 9780823941681 rosen pub group 2003

sitting bull sioux war chief toro sentado jefe sioux - Oct 14 2023

web sitting bull sioux war chief toro sentado jefe sioux inproceedings hayhurst2004sittingb title sitting bull sioux war chief toro sentado jefe sioux author chris hayhurst and eida de la vega year 2004 c hayhurst e d l vega published 2004 history

sitting bull toro sentado sioux war chief jefe sioux primary - May 09 2023

web dec 30 2003 chris hayhurst sitting bull toro sentado sioux war chief jefe sioux primary sources of famous people in american history english and spanish edition library binding december 30 2003 spanish edition by chris hayhurst author eida de la vega translator see all formats and editions library binding

toro sentado jefe sioux sitting bull sioux war chief alibris - Jul 31 2022

web buy toro sentado jefe sioux sitting bull sioux war chief by chris hayhurst online at alibris we have new and used copies available in 1 editions starting at 4 08 shop now

toro sentado sitting bull jefe sioux sioux war chief - Apr 27 2022

web toro sentado sitting bull jefe sioux sioux war chief grandes personajes en la historia de los estados unidos famous people in american history spanish edition isbn 13 9780823941445 hayhurst chris

toro sentado jefe sioux hayhurst chris free download - Apr 08 2023

web a biography of the sioux chief who worked to maintain the rights of native american people and who led the defeat of

general custer at the little big horn in 1876 translation of sitting bull includes bibliographical references and index a young boy the warrior the leader war timeline

[sitting bull wikipedia](#) - Sep 13 2023

web sitting bull was the subject of or a featured character in several hollywood motion pictures and documentaries which have reflected changing ideas about him and lakota culture in relation to the united states among them are sitting

sitting bull toro sentado sioux war chief jefe si copy - Dec 04 2022

web justicia a vencedores y vencidos sitting bull chef des sioux hunkpapas biographie aug 03 2021 chef traditionnel du clan des sioux hunkpapas sitting bull tatanka yokanta de son vrai nom cristallise autour de sa personne l âme indienne la résistance aux colons et à l armée dès 1868 après les guerres de red cloud

[el fútbol top chistes 1 escritura desatada amazon es](#) - Aug 14 2023

web una tronchante selección de los mejores chistes de fútbol que ha habido y habrá si eres de los que quieren fútbol para desayunar comer y cenar de los que no pueden dejar de pensar en el fútbol de los que juegan al fútbol a la hora del recreo los fines de semana en la calle en casa a todas horas y en todos lados

descargar pdf el fútbol top chistes 1 gema moraleda gratis - Jun 12 2023

web pdf epub el fútbol top chistes 1 descargar una tronchante selección de los mejores chistes de fútbol que ha habido y habrá si eres de los que quieren fútbol para desayunar comer y cenar de los que no pueden dejar de pensar en el fútbol de los que juegan al fútbol a la hora del recreo los fines de semana en la calle en casa a

30 chistes de fútbol cortos y largos para finalizar el partido - Sep 15 2023

web aquí están los mas originales y divertidos chistes de fútbol el mejor humor con chistes de fútbol clásicos cortos y largos para reir con todo el equipo

top chistes 1 el fútbol top chistes 1 ebook gema moraleda - Feb 08 2023

web una tronchante selección de los mejores chistes de fútbol que ha habido y habrá si eres de los que quieren top chistes 1 el fútbol top chistes 1 ebook gema moraleda 9788417736422 boeken bol com

[top chistes el fútbol top chistes 1 moraleda](#) - Sep 03 2022

web top chistes el fútbol top chistes 1 moraleda gema 13 95 una tronchante selección de los mejores chistes de fútbol que ha habido y habrá si eres de

[top chistes el fútbol top chistes 1 9788416712847](#) - Apr 29 2022

web el fútbol top chistes 1 9788416712847 una tronchante selección de los mejores chistes de fútbol que ha habido y habrá si eres de los que quieren fútbol para desayunar comer y cenar de los que no pueden dejar de pensar en el fútbol de los que juegan al fútbol a la hora del recreo los fines de semana en la calle en casa a

el fútbol top chistes 1 spanish edition goodreads - Mar 09 2023

web una tronchante selección de los mejores chistes de fútbol que ha habido y habrá si eres de lo el fútbol top chistes 1 spanish edition by gema moraleda goodreads

top chistes el fútbol top chistes 1 el futbol - Mar 29 2022

web top chistes el fútbol top chistes 1 el futbol moraleda gema 14 96 una tronchante selección de los mejores chistes de fútbol que ha habido y habrá s

el fútbol top chistes 1 penguin libros - Jul 13 2023

web una tronchante selección de los mejores chistes de fútbol que ha habido y habrá

el Fútbol top chistes 1 gema moraleda alibrato - Nov 05 2022

web sinopsis de el fútbol top chistes 1 una tronchante selección de los mejores chistes de fútbol que ha habido y habrá si eres de los que quieren fútbol para desayunar comer y cenar de los que no pueden dejar de pensar en el fútbol de los que juegan al fútbol a la hora del recreo los fines de semana en la calle en casa a todas

[el futbol top chistes 1 help environment harvard edu](#) - Jan 27 2022

web kindly say the el futbol top chistes 1 is universally compatible with any devices to read a fondo 1980 aitana y willy el misterio de yamashita montoro a mario meses después de regresar de África aitana recibe una invitación de boda que la llevará con sus amigos y willy a conocer un nuevo y fascinante continente asia

el fútbol top chistes 1 by gema moraleda google play - May 11 2023

web el fútbol top chistes 1 ebook written by gema moraleda read this book using google play books app on your pc android ios devices download for offline reading highlight bookmark or take notes while you read el fútbol top chistes 1

[descargar el fútbol top chistes 1 de gema moraleda pdf](#) - Apr 10 2023

web el fútbol top chistes 1 es un libro divertido y ameno que hará las delicias de los amantes del fútbol gema moraleda ha logrado reunir en un solo libro una selección de chistes y anécdotas que reflejan la pasión y el humor que rodea este deporte

el fútbol top chistes 1 versión kindle amazon es - Dec 06 2022

web el fútbol top chistes 1 ebook moraleda gema amazon es libros saltar al contenido principal es hola elige tu selecciona el departamento que quieras buscar buscar amazon es es hola identifícate cuenta y listas devoluciones y pedidos cesta todo servicio al cliente con discapacidad

el fútbol top chistes 1 by moraleda gema amazon ae - May 31 2022

web buy el fútbol top chistes 1 by moraleda gema online on amazon ae at best prices fast and free shipping free returns cash on delivery available on eligible purchase

el fútbol top chistes 1 paperback 3 may 2018 amazon com au - Oct 04 2022

web select the department you want to search in

el fútbol top chistes 1 apple books - Feb 25 2022

web una tronchante selección de los mejores chistes de fútbol que ha habido y habrá si eres de los que quieren fútbol para desayunar comer y cenar de los que no pueden dejar de pensar en el fútbol de los que juegan al fútbol a la

el fútbol top chistes 1 ebook lavanguardia com - Aug 02 2022

web may 16 2019 el fútbol top chistes 1 ebook es una libro escrito por gema moraleda descubre todos los libros de ebooks infantil infantil 10 a 12 años libros de deportes en la vanguardia

el fútbol top chistes 1 de moraleda gema 978 84 16712 84 7 - Jul 01 2022

web una tronchante selección de los mejores chistes de fútbol que ha habido y habrá si eres de los que quieren fútbol para desayunar comer y cenar de los que no pueden dejar de pensar en el fútbol de los que juegan al fútbol a la hora del recreo los fines de semana en la calle en casa a todas horas y en todos lados

chistes de fútbol euroresidentes - Jan 07 2023

web un tío entra al bar y están viendo un partido de fútbol cómo vamos perdemos 1 a 0 Árbitroooo cabroon todos los jugadores de un equipo de fútbol tenían el número de su camiseta de color negro menos uno cuando le preguntaron por qué el color del número de su camiseta es rojo respondió porque me llamo domingo

field guide to mammals of southern africa chris stuart tilde stuart - Dec 07 2022

web southern africa has a wealth of mammal species a total of 337 all of which are covered in this fully revised comprehensive field guide while the term african mammals conjures up the more celebrated species of elephant lion buffalo leopard and rhino it is in fact the smaller animals shrews genets suricates and bats that comprise

stuarts field guide to mammals of southern africa goodreads - Aug 03 2022

web this is a fully revised edition of the stuart s best selling field guide to southern africa s extraordinary wealth of mammal species from tiny shrews to the iconic big five and including those that live in the sea

e stuarts field guide to mammals of southern africa - Mar 10 2023

web about the book greater southern africa has a wealth of mammal species almost 400 all of which are covered in this fully updated comprehensive field guide

stuarts field guide to mammals of southern africa by chris stuart - Jan 08 2023

web may 19 2015 buy stuarts field guide to mammals of southern africa by chris stuart from waterstones today click and collect from your local waterstones or get free uk delivery on orders over 25

books app review stuarts field guide to the mammals of southern african - Jan 28 2022

web nov 27 2018 back in 1991 chris and tilde stuart s field guide to the mammals of southern africa was the first field guide

i ever brought so it feels like an induction into the mammalwatching hall of fame to be asked by them to review the latest edition

[stuarths field guide to mammals of southern africa field guide](#) - Feb 09 2023

web may 20 2015 buy stuarths field guide to mammals of southern africa field guide series including angola zambia malawi 5 by chris mathilde stuart isbn 9781775841111 from amazon s book store everyday low

stuarths field guide to mammals of southern africa - May 12 2023

web dec 1 2014 this is a fully revised edition of the stuart s best selling field guide to southern africa s extraordinary wealth of mammal species from tiny shrews to the iconic big five and including those that live in the sea

[stuarths field guide to mammals of southern africa penguin](#) - Apr 11 2023

web greater southern africa has a wealth of mammal species almost 400 all of which are covered in this fully updated comprehensive field guide

field guide to mammals of southern africa pdf pdf room - Aug 15 2023

web mar 14 2021 chris stuart 2001 278 pages 40 24 mb english africa posted march 14 2021 submitted by soberbrunner buy on amazon explore pdf download pdf convert to view on amazon read pdf online read online summary of field guide to mammals of southern africa page 1 f f f f f f f f f f f f f f f f related books

stuarths field guide to mammals of southern africa including - Mar 30 2022

web chris stuart stuarths field guide to mammals of southern africa including angola zambia malawi kindle edition by chris stuart author format kindle edition 4 6 77 ratings see all formats and editions greater southern africa has a wealth of mammal species almost 400 all of which are covered in this fully updated comprehensive field

[stuarths field guide to mammals of southern africa including](#) - Nov 06 2022

web stuarths field guide to mammals of southern africa including angola zambia malawi edition 5 ebook written by chris stuart read this book using google play books app on your pc android ios devices download for offline reading highlight bookmark or take notes while you read stuarths field guide to mammals of southern africa including

[stuarths field guide to mammals of southern africa apple books](#) - Sep 04 2022

web mar 27 2015 greater southern africa has a wealth of mammal species almost 400 all of which are covered in this fully updated comprehensive field guide now expanded to include species found in angola zambia and malawi it

[stuarths field guide to mammals of southern africa overdrive](#) - Feb 26 2022

web mar 27 2015 greater southern africa has a wealth of mammal species almost 400 all of which are covered in this fully updated comprehensive field guide now expanded to include species found in angola zambia and malawi it

[stuarths field guide to mammals of southern africa nhbs](#) - Oct 05 2022

web stuart's field guide to mammals of southern africa including angola zambia malawi field identification guide by chris stuart author mathilde stuart author 456 pages 2500 colour photos distribution maps publisher penguin random house south africa isbn 9781775841111 edition 5 paperback may 2015 in stock 16 99 222331

stuart's field guide to mammals of southern africa including - Jun 13 2023

web mar 27 2015 struik nature 2015 mammals 456 pages this is a fully revised edition of the stuart's best selling field guide to southern africa's extraordinary wealth of mammal species

stuart's field guide to mammals of southern africa ebook - Apr 30 2022

web mar 27 2015 chris and mathilde stuart are the highly regarded authors of a range of books on african mammals wildlife and conservation as well as scientific papers and popular articles much of their time is spent travelling the world searching for wild mammals and promoting their conservation visit stuartonnature.com

stuart's field guide to mammals of southern africa including - Dec 27 2021

web this is a fully revised edition of the stuart's best selling field guide to southern africa's extraordinary wealth of mammal species from tiny shrews to the iconic big five and including those that live in the sea

field guide to mammals of southern africa stuart chris free - Jul 02 2022

web field guide to mammals of southern africa stuart chris free download borrow and streaming internet archive

stuart's field guide to mammals of southern africa google books - Jul 14 2023

web stuart's field guide to mammals of southern africa chris stuart penguin random house south africa mar 27 2015 nature 456 pages greater southern africa has a wealth of

stuart's field guide to mammals of southern africa 5th edition - Jun 01 2022

web stuart's field guide to mammals of southern africa including angola zambia malawi 5th edition is written by chris stuart and published by random house struik the digital and etextbook isbns for stuart's field guide to mammals of southern africa are 9781775842668 1775842665 and the print isbns are 9781775841111 1775841111