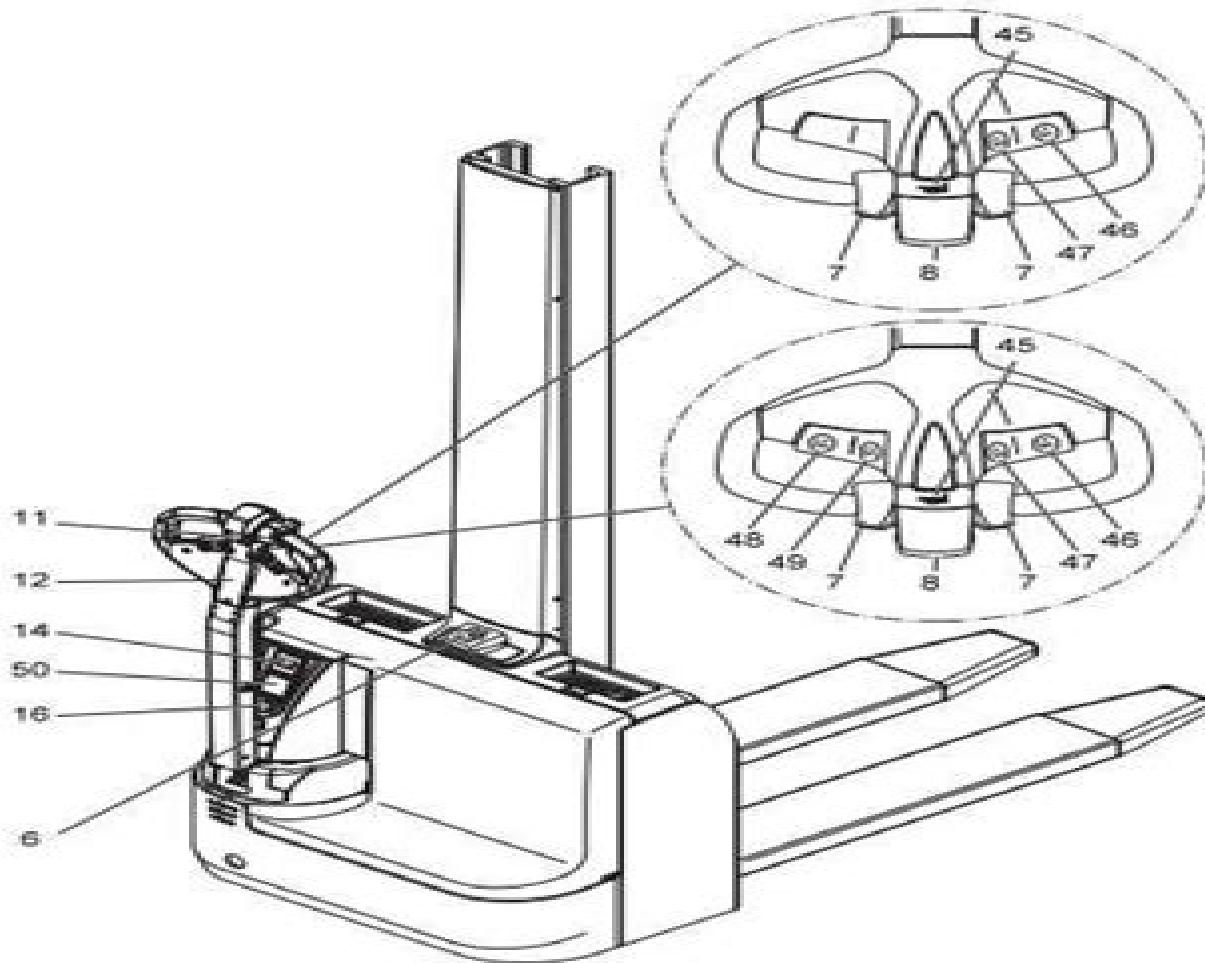


2 Beschreibung der Anzeige und Bedienelemente



Emc 110 Jungheinrich Manual

Lauren Gardner



Emc 110 Jungheinrich Manual:

Discover tales of courage and bravery in Crafted by is empowering ebook, **Emc 110 Jungheinrich Manual** . In a downloadable PDF format (*), this collection inspires and motivates. Download now to witness the indomitable spirit of those who dared to be brave.

https://staging.conocer.cide.edu/data/scholarship/index.jsp/Federal_Policy_Options_For_Improving_The_Education_Of_Low_income_Students_Commentaries.pdf

Table of Contents Emc 110 Jungheinrich Manual

1. Understanding the eBook Emc 110 Jungheinrich Manual
 - The Rise of Digital Reading Emc 110 Jungheinrich Manual
 - Advantages of eBooks Over Traditional Books
2. Identifying Emc 110 Jungheinrich Manual
 - Exploring Different Genres
 - Considering Fiction vs. Non-Fiction
 - Determining Your Reading Goals
3. Choosing the Right eBook Platform
 - Popular eBook Platforms
 - Features to Look for in an Emc 110 Jungheinrich Manual
 - User-Friendly Interface
4. Exploring eBook Recommendations from Emc 110 Jungheinrich Manual
 - Personalized Recommendations
 - Emc 110 Jungheinrich Manual User Reviews and Ratings
 - Emc 110 Jungheinrich Manual and Bestseller Lists
5. Accessing Emc 110 Jungheinrich Manual Free and Paid eBooks
 - Emc 110 Jungheinrich Manual Public Domain eBooks
 - Emc 110 Jungheinrich Manual eBook Subscription Services
 - Emc 110 Jungheinrich Manual Budget-Friendly Options

-
6. Navigating Emc 110 Jungheinrich Manual eBook Formats
 - ePub, PDF, MOBI, and More
 - Emc 110 Jungheinrich Manual Compatibility with Devices
 - Emc 110 Jungheinrich Manual Enhanced eBook Features
 7. Enhancing Your Reading Experience
 - Adjustable Fonts and Text Sizes of Emc 110 Jungheinrich Manual
 - Highlighting and Note-Taking Emc 110 Jungheinrich Manual
 - Interactive Elements Emc 110 Jungheinrich Manual
 8. Staying Engaged with Emc 110 Jungheinrich Manual
 - Joining Online Reading Communities
 - Participating in Virtual Book Clubs
 - Following Authors and Publishers Emc 110 Jungheinrich Manual
 9. Balancing eBooks and Physical Books Emc 110 Jungheinrich Manual
 - Benefits of a Digital Library
 - Creating a Diverse Reading Collection Emc 110 Jungheinrich Manual
 10. Overcoming Reading Challenges
 - Dealing with Digital Eye Strain
 - Minimizing Distractions
 - Managing Screen Time
 11. Cultivating a Reading Routine Emc 110 Jungheinrich Manual
 - Setting Reading Goals Emc 110 Jungheinrich Manual
 - Carving Out Dedicated Reading Time
 12. Sourcing Reliable Information of Emc 110 Jungheinrich Manual
 - Fact-Checking eBook Content of Emc 110 Jungheinrich Manual
 - Distinguishing Credible Sources
 13. Promoting Lifelong Learning
 - Utilizing eBooks for Skill Development
 - Exploring Educational eBooks
 14. Embracing eBook Trends
 - Integration of Multimedia Elements

-
- Interactive and Gamified eBooks

Emc 110 Jungheinrich Manual Introduction

In the digital age, access to information has become easier than ever before. The ability to download Emc 110 Jungheinrich Manual has revolutionized the way we consume written content. Whether you are a student looking for course material, an avid reader searching for your next favorite book, or a professional seeking research papers, the option to download Emc 110 Jungheinrich Manual has opened up a world of possibilities. Downloading Emc 110 Jungheinrich Manual provides numerous advantages over physical copies of books and documents. Firstly, it is incredibly convenient. Gone are the days of carrying around heavy textbooks or bulky folders filled with papers. With the click of a button, you can gain immediate access to valuable resources on any device. This convenience allows for efficient studying, researching, and reading on the go. Moreover, the cost-effective nature of downloading Emc 110 Jungheinrich Manual has democratized knowledge. Traditional books and academic journals can be expensive, making it difficult for individuals with limited financial resources to access information. By offering free PDF downloads, publishers and authors are enabling a wider audience to benefit from their work. This inclusivity promotes equal opportunities for learning and personal growth. There are numerous websites and platforms where individuals can download Emc 110 Jungheinrich Manual. These websites range from academic databases offering research papers and journals to online libraries with an expansive collection of books from various genres. Many authors and publishers also upload their work to specific websites, granting readers access to their content without any charge. These platforms not only provide access to existing literature but also serve as an excellent platform for undiscovered authors to share their work with the world. However, it is essential to be cautious while downloading Emc 110 Jungheinrich Manual. Some websites may offer pirated or illegally obtained copies of copyrighted material. Engaging in such activities not only violates copyright laws but also undermines the efforts of authors, publishers, and researchers. To ensure ethical downloading, it is advisable to utilize reputable websites that prioritize the legal distribution of content. When downloading Emc 110 Jungheinrich Manual, users should also consider the potential security risks associated with online platforms. Malicious actors may exploit vulnerabilities in unprotected websites to distribute malware or steal personal information. To protect themselves, individuals should ensure their devices have reliable antivirus software installed and validate the legitimacy of the websites they are downloading from. In conclusion, the ability to download Emc 110 Jungheinrich Manual has transformed the way we access information. With the convenience, cost-effectiveness, and accessibility it offers, free PDF downloads have become a popular choice for students, researchers, and book lovers worldwide. However, it is crucial to engage in ethical downloading practices and prioritize personal security when utilizing online platforms. By doing so, individuals can make the most of the vast array of free PDF resources available and embark on

a journey of continuous learning and intellectual growth.

FAQs About Emc 110 Jungheinrich Manual Books

How do I know which eBook platform is the best for me? Finding the best eBook platform depends on your reading preferences and device compatibility. Research different platforms, read user reviews, and explore their features before making a choice. Are free eBooks of good quality? Yes, many reputable platforms offer high-quality free eBooks, including classics and public domain works. However, make sure to verify the source to ensure the eBook credibility. Can I read eBooks without an eReader? Absolutely! Most eBook platforms offer web-based readers or mobile apps that allow you to read eBooks on your computer, tablet, or smartphone. How do I avoid digital eye strain while reading eBooks? To prevent digital eye strain, take regular breaks, adjust the font size and background color, and ensure proper lighting while reading eBooks. What the advantage of interactive eBooks? Interactive eBooks incorporate multimedia elements, quizzes, and activities, enhancing the reader engagement and providing a more immersive learning experience. Emc 110 Jungheinrich Manual is one of the best book in our library for free trial. We provide copy of Emc 110 Jungheinrich Manual in digital format, so the resources that you find are reliable. There are also many Ebooks of related with Emc 110 Jungheinrich Manual. Where to download Emc 110 Jungheinrich Manual online for free? Are you looking for Emc 110 Jungheinrich Manual PDF? This is definitely going to save you time and cash in something you should think about.

Find Emc 110 Jungheinrich Manual :

federal policy options for improving the education of low-income students commentaries

~~feng shui back to balance an entertaining lighthearted common sense approach~~

feel good little changes to simplify your complicated life

feng shui 101 the fundamentals a first step

festival hoppers guide to new england

female forms experiencing and understanding disability

feminist challenge to the canadian left 1900-1918

feeling fooled

~~feeding the family~~

feedback control problems using matlab and the controls system toolbox

fencing ebential skills training

feed a cold starve a fever a dictionary of medical folklore

fender getting started on guitar - the first step electric & acoustic

felony probation problems and prospects

felicidad y penurias**Emc 110 Jungheinrich Manual :****the hidden messages in water by masaru emoto goodreads** - Feb 26 2022

web jan 1 2001 in this new york times bestseller internationally renowned japanese scientist masaru emoto shows how the influence of our thoughts words and feelings on molecules of water can positively impact the earth and our personal health this book has the potential to profoundly transform your world view


science of water office masaru emoto - Dec 07 2022

web science of water office masaru emoto science of water complete survey we usually observe 50 to 100 water crystals from one water sample for educational purpose we usually choose a representative one from them e g messages from water

water has memory dr masaru emoto s water experiment - Jul 02 2022

web masaru emoto s water experiment masaru emoto was a japanese scientist he studied the molecular structure of water he wanted to know that does human thoughts and emotions have any impact on

masaru emoto messages from water youtube - Mar 30 2022

web aug 5 2016 masaru emoto messages from water  the water crystal from the waterexposed to the word love and gratitude welcome to the masaru emoto s had

*masaru emoto wikipe*di - Jul 14 2023

web masaru emoto

dr masaru emoto and water consciousness the wellness - Jan 08 2023

web mar 23 2017 dr masaru emoto put water as a living consciousness on the map for the scientific world he showed us how water is an energy capable of more than we ever imagined the power human thoughts sounds and intentions has to strengthen and disempower is one of the greatest discoveries of our time

books by masaru emoto author of the hidden messages in water goodreads - Jan 28 2022

web masaru emoto has 133 books on goodreads with 40916 ratings masaru emoto s most popular book is the hidden

messages in water

masaru emoto office masaru emoto - Jun 01 2022

web what is the significance it becomes clear when we remember that the adult human body is approximately 70 water and infant bodies are about 90 water we can be hurt emotionally and as the water can be changed for the worse physically by negativity

dr masaru emoto message in the water interview youtube - Sep 04 2022

web mar 24 2021 dr masaru emoto was interviewed by dean and dudley evenson in 2006 the famed japanese author and researcher of innovative photographs of water crystals had captivated public attention with

dr masaru emoto flaska eu - Aug 03 2022

web dr masaru emoto was a japanese researcher whose photographs of water crystals are responsible for us not perceiving water merely as h₂o molecules any more he was born in 1943 in yokohama in 1992 he graduated from the open international university with a phd in alternative medicine

the experiments of masaru emoto with emotional imprinting of water - Apr 30 2022

web jun 20 2018 masaru emoto has carried out very interesting experiments with water at critical point for freezing he claims that words expressing emotions have effect on the crystals formed in the

[hidden messages in water book by masaru emoto official](#) - Dec 27 2021

web in this new york times bestseller internationally renowned japanese scientist masaru emoto shows how the influence of our thoughts words and feelings on molecules of water can positively impact the earth and our personal health

the hidden messages in water emoto masaru - Apr 11 2023

web the hidden messages in water is an eye opening theory showing how water is deeply connected to our individual and collective consciousness drawing from his own research scientific researcher healer and popular lecturer dr masaru emoto describes the ability of water to absorb hold and even retransmit human feelings and emotions

office masaru emoto - Feb 09 2023

web regrettably former president dr emoto passed away on october 17 2014 but other staffs at office masaru emoto llc took over his mission and continuously produced water crystal photographs and give seminars and workshops about our research of water development of new science of water

[the hidden messages in water wikipedia](#) - Oct 05 2022

web the hidden messages in water is a 2004 new york times bestseller book written by masaru emoto advancing the pseudoscientific idea that the molecular structure of water is changed by the presence of human consciousness nearby backed by exhaustive and wildly unscientific research claiming to back this conjecture

[masaru emoto wikipedia](#) - Aug 15 2023

web masaru emoto 日本 日本 emoto masaru july 22 1943 october 17 2014 was a japanese businessman author and pseudoscientist who claimed that human consciousness could affect the molecular structure of water his 2004 book the hidden messages in water was a new york times best seller

[the miracle of water emoto masaru 1943 free download](#) - Nov 06 2022

web in the miracle of water the author mr emoto presents the reader with a dual focus the fascinating crystal formations produced by water and his belief that water carries vibrations from the universe the first half of the book which discusses the crystal formations is particularly interesting and well done

[water consciousness intent dr masaru emoto youtube](#) - Mar 10 2023

web mar 13 2009 water consciousness intent dr masaru emoto purpleleisureologist 7 56k subscribers subscribe 19k 3 4m views 14 years ago masaru emoto was born in yokohama japan in july 1943 and a

[water experiment by dr masaru emoto on water consciousness alive water](#) - Jun 13 2023

web the short answer yes dr masaru emoto s experiments on water molecules actually proved that our thoughts attitudes emotions and intentions could physically change the molecular structure of water

[masaru emoto water experiments youtube](#) - May 12 2023

web masaru emoto water experiments thisis432 5 01k subscribers subscribe 13k share 705k views 10 years ago the words themselves actually emit a unique vibration that the water is sensing when

quiet power growing up as an introvert in a world that can t - Jun 14 2023

web quiet power growing up as an introvert in a world that can t stop talking amazon com tr kitap

quiet power growing up as an introvert in a world that can t - Jan 09 2023

web the highly anticipated follow up to the sensational bestseller quiet empowering introverted children teens and young adults susan cain sparked a worldwide conversation with quiet the power of introverts in a world that can t stop talking she inspired millions of people and permanently changed the way we see introverts and

quiet power growing up as an introvert in a world that can t - Nov 07 2022

web jul 6 2016 susan cain sparked a worldwide conversation with quiet the power of introverts in a world that can t stop talking she inspired millions of people and permanently changed the way we see introverts and the way introverts see themselves now she takes the quiet revolution to a younger audience

quiet power growing up as an introvert in a world that can t - Jan 29 2022

web sep 12 2023 quiet power growing up as an introvert in a world that can t stop talking by susan cain booksxbits 7 18k subscribers join subscribe 0 share no views 1 minute ago books booksxbits bittoremeber

quiet power growing up as an introvert in a world that can t - May 13 2023

web susan cain sparked a worldwide conversation with quiet the power of introverts in a world that can t stop talking she inspired millions of people and permanently changed the way we see introverts and the way introverts see themselves now she takes the quiet revolution to a younger audience

quiet the power of introverts in a world that can t stop talking - Mar 11 2023

web in quiet susan cain shows how the brain chemistry of introverts and extroverts differs and how society misunderstands and undervalues introverts she gives introverts the tools to better understand themselves and take full advantage of their strengths

quiet power growing up as an introvert in a world that can t - May 01 2022

web susan cain sparked a worldwide conversation with quiet the power of introverts in a world that can t stop talking she inspired millions of people and permanently changed the way we see introverts and the way introverts see themselves now she takes the quiet revolution to a younger audience

book review quiet power growing up as an introvert in a world - Feb 27 2022

web dec 24 2018 she starts talking about introvert kids in primary school introvert teenagers in high school battling adolescent and introvert young adults in university then introvert professionals at the work place she also talks about introverts in family settings where one of the parent or kids is an introvert

quiet the power of introverts in a world that can t stop talking - Jun 02 2022

web extroverts and introverts have their own pros and cons in every position in life and society the second part goes into the brains of introverted kids and tries to explore the reasons for introverted behavior whether it depends on the nature of their mind or can be nurtured while growing depending on their environments

quiet power by susan cain used 9780241273555 world of - Mar 31 2022

web buy quiet power growing up as an introvert in a world that can t stop talking by susan cain available in used condition with free delivery in the uk isbn 9780241273555

quiet power growing up as an introvert in a world that can t - Dec 08 2022

web quiet power growing up as an introvert in a world that can t stop talking ebook written by susan cain read this book using google play books app on your pc android ios devices download for offline reading highlight bookmark or take notes while you read quiet power growing up as an introvert in a world that can t stop talking

quiet power growing up as an introvert in a world that can t stop - Oct 06 2022

web summary the highly anticipated follow up to the sensational bestseller quiet empowering introverted children teens and young adults susan cain sparked a worldwide conversation with quiet the power of introverts in a world that can t stop

talking she inspired millions of people and permanently changed the way we see introverts and

quiet power growing up as an introvert in a world that can t - Apr 12 2023

web focusing on the strengths and challenges of being introverted quiet power applies the breakthrough discoveries of quiet the power of introverts in a world that can t stop talking to young readers that so badly need them the world is made up of all kinds of people and being an introvert is not a personality flaw as you may have been made to

quiet power growing up as an introvert in a world that can t - Aug 04 2022

web the highly anticipated follow up to the sensational bestseller quiet empowering introverted children teens and young adults susan cain sparked a worldwide conversation with quiet the power of introverts in a world that can t stop talking she inspired millions of people and permanently changed the way we see introverts and

loading interface goodreads - Jul 03 2022

web 3 93 5 740 ratings 764 reviews the highly anticipated follow up to the sensational bestseller quiet empowering introverted children teens and young adults susan cain sparked a worldwide conversation with quiet the power of introverts in a world that can t stop talking she inspired millions of people and permanently changed the way we

quiet the power of introverts in a world that can t stop talking - Feb 10 2023

web susan cain presents a strong case for introverts vs extroverts in the us emphasizing that the more socially desirable types have limitations while the silent minority of introverts who receive fewer social rewards have assets which make them valuable too

quiet power growing up as an introvert in a world that can t - Aug 16 2023

web quiet power growing up as an introvert in a world that can t stop talking cain susan amazon com tr kitap

quiet the power of introverts in a world that can t stop talking - Sep 05 2022

web jan 29 2013 quiet the power of introverts in a world that can t stop talking cain susan amazon in books books reference encyclopaedias reference works buy new 998 00 m r p 1 476 00 save 478 00 32 inclusive of all taxes free delivery thursday 7 september details or fastest delivery today order within 2 hrs 34 mins

quiet power growing up as an introvert in a world that can t - Dec 28 2021

web susan cain sparked a worldwide conversation with quiet the power of introverts in a world that can t stop talking she inspired millions of people and permanently changed the way we see

quiet power growing up as an introvert in a world that can t - Jul 15 2023

web may 3 2016 susan cain sparked a worldwide conversation with quiet the power of introverts in a world that can t stop talking she inspired millions of people and permanently changed the way we see

chemthink ionic bonding simbucket - Sep 03 2022

web chemical formula tells the relative number of atoms of each element in a compound molecular covalent bonding formula represents the of atoms of each element in a

chemthink ion formation simbucket - May 31 2022

web dec 10 2014 in this chemthink tutorial you will explore ionic formulas and take a short quiz topics include positive and negative ions chemthink covalent bonding

chemthink simbucket - Oct 24 2021

chemthink ionic formulas simbucket - May 11 2023

web study with quizlet and memorize flashcards containing terms like ionic bonds are formed between and involved the of ions charges that are alike will each other

chemthink ionic formulas simbucket - Oct 04 2022

web chemthink com s tutorial for our chapter 8 ionic bonding is use as an introduction to the chapter also i explained how to do flash cards for memorize ions sheet being printed for

solved chemthink ionic formulas docx chem think ionic - Mar 09 2023

web ionic vs covalent key formative work reading assignment 1 the world of chemistry episode 8 chemical bonds ions their charges key naming

chemthink ionic bonding flashcards quizlet - Apr 10 2023

web expert answer 100 1 rating transcribed image text chemthink ionic formulas docx chem think ionic formulas noble gases never form atoms react with each other to

chemthink com ch 8 ionic bonding questions part 1 - Jul 01 2022

web 1 chemthink ionic formulas 1 docx 2 chemthink ionic bonding ionic bonds are formed between ions and involved the transfer

5 5 writing formulas for ionic compounds chemistry - Jun 12 2023

web sep 25 2022 write the correct formula for an ionic compound recognize polyatomic ions in chemical formulas ionic compounds do not exist as molecules in the solid state

chemthink ionic formulas simbucket chemthink ionic - Nov 05 2022

web apr 28 2022 best answer copy x would be the metal in ionic formulas these equations you will be solving for x and x alone every time wiki user 9y ago this

what is x for chemthink ionic formulas answers - Aug 02 2022

web nov 4 2022 examine with quizlet and memorize flashcards containing phrases like binary compound 33 terms ionic

bonds are formed between and involved the of ions

[chemthink ionic compounds key lps](#) - Aug 14 2023

web when atoms react to form of electrons that are equal to the total number of electrons that are the total number must always be formula ion total formula total formula

[simulations simbucket](#) - Jan 27 2022

formative work and answer keys unit 2 mrs terry s science - Feb 08 2023

web chemthink ionic formulas link noble gases never form atoms react with each other to become atoms form ions that have the same number of as noble

chemthink ionic bonding docx chemthink ionic bonding - Feb 25 2022

web conclusion and can bond together by forming an ionic bond when multiple ion pairs are attracted to each other it forms an ionic

chemthink ionic formulas pdf chemthink ionic formulas - Jan 07 2023

web in this chemthink tutorial you will explore ionic formulas and take a short quiz topics include positivity and negative ions balancing definite press negative charges text ionic

ionic formula writing flashcards quizlet - Apr 29 2022

web chemthink ionic bonding ionic bonds are formed between and involved the of ions charges that are alike will each other while opposite in ionic

chemthink ionic bonding simbucket - Dec 26 2021

chemthink com ch 8 ionic bonding questions - Nov 24 2021

chemthink ionic bonding flashcards quizlet - Jul 13 2023

web study with quizlet and memorize flashcards containing terms like ionic bonds are formed between and involved the of ions charges that are alike will each

chemthink ionic formulas docx chemthink ionic - Dec 06 2022

web chemthink ionic formulas noble gases never form atoms react with each other to become atoms form ions that have the same number of as noble gases

chemthink ionic formulas athens mutual student corner - Mar 29 2022

web try upgrading your browser to the latest version what is a browser microsoft internet explorer mozilla firefox google

chrome apple safari

home simbucket - Sep 22 2021