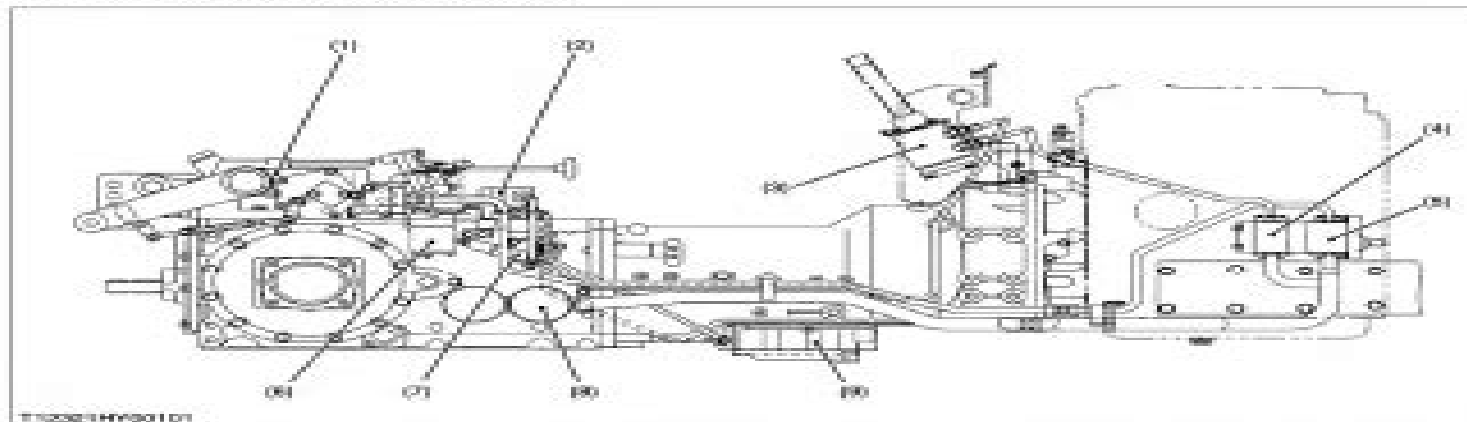


8. HYDRAULIC SYSTEM

[1] MECHANISM

(1) Three Point Hydraulic System



- | | | | |
|--|---|-----------------------------|-------------------------------------|
| (1) Hydraulic Control Valve | (4) Hydraulic Pump for Power Steering | (6) Auxiliary Control Valve | (9) 4WD / Bi-speed Turn Clutch Pack |
| (2) 4WD / Bi-speed Turn Solenoid Valve | (5) Hydraulic Pump for Three Point Hydraulic System | (7) PTO Control Valve | |
| (3) Power Steering Controller | | (8) Oil Filter Cartridge | |

The hydraulic system of these tractors are composed of the main components as shown in the figure.

- To raise and lower the implement connected to the three point hitch. For this motion, the position control valve and the linkage installed on the hydraulic cylinder body provide three different applications : position control, draft control and mix control.
- Take out hydraulic power from the hydraulic cylinder body to operate an implement's hydraulic actuator.
- Take out hydraulic power from the quick couplers for the implements with either single acting or double acting actuators. In this case, the implement's cylinders can be actuated by operating the auxiliary control valves.

Kubota M8200dnb M8200sdnb M8200sdnbc Workshop Service Manual

J Rink



Kubota M8200dnb M8200sdnb M8200sdnbc Workshop Service Manual:

The book delves into Kubota M8200dnb M8200sdnb M8200sdnbc Workshop Service Manual. Kubota M8200dnb M8200sdnb M8200sdnbc Workshop Service Manual is a vital topic that needs to be grasped by everyone, ranging from students and scholars to the general public. The book will furnish comprehensive and in-depth insights into Kubota M8200dnb M8200sdnb M8200sdnbc Workshop Service Manual, encompassing both the fundamentals and more intricate discussions.

1. This book is structured into several chapters, namely:
 - Chapter 1: Introduction to Kubota M8200dnb M8200sdnb M8200sdnbc Workshop Service Manual
 - Chapter 2: Essential Elements of Kubota M8200dnb M8200sdnb M8200sdnbc Workshop Service Manual
 - Chapter 3: Kubota M8200dnb M8200sdnb M8200sdnbc Workshop Service Manual in Everyday Life
 - Chapter 4: Kubota M8200dnb M8200sdnb M8200sdnbc Workshop Service Manual in Specific Contexts
 - Chapter 5: Conclusion
 2. In chapter 1, the author will provide an overview of Kubota M8200dnb M8200sdnb M8200sdnbc Workshop Service Manual. This chapter will explore what Kubota M8200dnb M8200sdnb M8200sdnbc Workshop Service Manual is, why Kubota M8200dnb M8200sdnb M8200sdnbc Workshop Service Manual is vital, and how to effectively learn about Kubota M8200dnb M8200sdnb M8200sdnbc Workshop Service Manual.
 3. In chapter 2, the author will delve into the foundational concepts of Kubota M8200dnb M8200sdnb M8200sdnbc Workshop Service Manual. The second chapter will elucidate the essential principles that must be understood to grasp Kubota M8200dnb M8200sdnb M8200sdnbc Workshop Service Manual in its entirety.
 4. In chapter 3, this book will examine the practical applications of Kubota M8200dnb M8200sdnb M8200sdnbc Workshop Service Manual in daily life. This chapter will showcase real-world examples of how Kubota M8200dnb M8200sdnb M8200sdnbc Workshop Service Manual can be effectively utilized in everyday scenarios.
 5. In chapter 4, the author will scrutinize the relevance of Kubota M8200dnb M8200sdnb M8200sdnbc Workshop Service Manual in specific contexts. This chapter will explore how Kubota M8200dnb M8200sdnb M8200sdnbc Workshop Service Manual is applied in specialized fields, such as education, business, and technology.
 6. In chapter 5, the author will draw a conclusion about Kubota M8200dnb M8200sdnb M8200sdnbc Workshop Service Manual. This chapter will summarize the key points that have been discussed throughout the book.
- This book is crafted in an easy-to-understand language and is complemented by engaging illustrations. This book is highly recommended for anyone seeking to gain a comprehensive understanding of Kubota M8200dnb M8200sdnb M8200sdnbc Workshop Service Manual.

https://staging.conocer.cide.edu/files/book-search/fetch.php/Intertherm_Mmha_Series_Furnace_Manual.pdf

Table of Contents Kubota M8200dnb M8200sdnb M8200sdnbc Workshop Service Manual

1. Understanding the eBook Kubota M8200dnb M8200sdnb M8200sdnbc Workshop Service Manual
 - The Rise of Digital Reading Kubota M8200dnb M8200sdnb M8200sdnbc Workshop Service Manual
 - Advantages of eBooks Over Traditional Books
2. Identifying Kubota M8200dnb M8200sdnb M8200sdnbc Workshop Service Manual
 - Exploring Different Genres
 - Considering Fiction vs. Non-Fiction
 - Determining Your Reading Goals
3. Choosing the Right eBook Platform
 - Popular eBook Platforms
 - Features to Look for in an eBook Platform
 - User-Friendly Interface
4. Exploring eBook Recommendations from Kubota M8200dnb M8200sdnb M8200sdnbc Workshop Service Manual
 - Personalized Recommendations
 - Kubota M8200dnb M8200sdnb M8200sdnbc Workshop Service Manual User Reviews and Ratings
 - Kubota M8200dnb M8200sdnb M8200sdnbc Workshop Service Manual and Bestseller Lists
5. Accessing Kubota M8200dnb M8200sdnb M8200sdnbc Workshop Service Manual Free and Paid eBooks
 - Kubota M8200dnb M8200sdnb M8200sdnbc Workshop Service Manual Public Domain eBooks
 - Kubota M8200dnb M8200sdnb M8200sdnbc Workshop Service Manual eBook Subscription Services
 - Kubota M8200dnb M8200sdnb M8200sdnbc Workshop Service Manual Budget-Friendly Options
6. Navigating Kubota M8200dnb M8200sdnb M8200sdnbc Workshop Service Manual eBook Formats
 - ePub, PDF, MOBI, and More
 - Kubota M8200dnb M8200sdnb M8200sdnbc Workshop Service Manual Compatibility with Devices
 - Kubota M8200dnb M8200sdnb M8200sdnbc Workshop Service Manual Enhanced eBook Features
7. Enhancing Your Reading Experience

- Adjustable Fonts and Text Sizes of Kubota M8200dnb M8200sdnb M8200sdnbc Workshop Service Manual
 - Highlighting and Note-Taking Kubota M8200dnb M8200sdnb M8200sdnbc Workshop Service Manual
 - Interactive Elements Kubota M8200dnb M8200sdnb M8200sdnbc Workshop Service Manual
8. Staying Engaged with Kubota M8200dnb M8200sdnb M8200sdnbc Workshop Service Manual
- Joining Online Reading Communities
 - Participating in Virtual Book Clubs
 - Following Authors and Publishers Kubota M8200dnb M8200sdnb M8200sdnbc Workshop Service Manual
9. Balancing eBooks and Physical Books Kubota M8200dnb M8200sdnb M8200sdnbc Workshop Service Manual
- Benefits of a Digital Library
 - Creating a Diverse Reading Collection Kubota M8200dnb M8200sdnb M8200sdnbc Workshop Service Manual
10. Overcoming Reading Challenges
- Dealing with Digital Eye Strain
 - Minimizing Distractions
 - Managing Screen Time
11. Cultivating a Reading Routine Kubota M8200dnb M8200sdnb M8200sdnbc Workshop Service Manual
- Setting Reading Goals Kubota M8200dnb M8200sdnb M8200sdnbc Workshop Service Manual
 - Carving Out Dedicated Reading Time
12. Sourcing Reliable Information of Kubota M8200dnb M8200sdnb M8200sdnbc Workshop Service Manual
- Fact-Checking eBook Content of Kubota M8200dnb M8200sdnb M8200sdnbc Workshop Service Manual
 - Distinguishing Credible Sources
13. Promoting Lifelong Learning
- Utilizing eBooks for Skill Development
 - Exploring Educational eBooks
14. Embracing eBook Trends
- Integration of Multimedia Elements
 - Interactive and Gamified eBooks

Kubota M8200dnb M8200sdnb M8200sdnbc Workshop Service Manual Introduction

Kubota M8200dnb M8200sdnb M8200sdnbc Workshop Service Manual Offers over 60,000 free eBooks, including many classics that are in the public domain. Open Library: Provides access to over 1 million free eBooks, including classic

literature and contemporary works. Kubota M8200dnb M8200sdbn M8200sdbnc Workshop Service Manual Offers a vast collection of books, some of which are available for free as PDF downloads, particularly older books in the public domain. Kubota M8200dnb M8200sdbn M8200sdbnc Workshop Service Manual : This website hosts a vast collection of scientific articles, books, and textbooks. While it operates in a legal gray area due to copyright issues, its a popular resource for finding various publications. Internet Archive for Kubota M8200dnb M8200sdbn M8200sdbnc Workshop Service Manual : Has an extensive collection of digital content, including books, articles, videos, and more. It has a massive library of free downloadable books. Free-eBooks Kubota M8200dnb M8200sdbn M8200sdbnc Workshop Service Manual Offers a diverse range of free eBooks across various genres. Kubota M8200dnb M8200sdbn M8200sdbnc Workshop Service Manual Focuses mainly on educational books, textbooks, and business books. It offers free PDF downloads for educational purposes. Kubota M8200dnb M8200sdbn M8200sdbnc Workshop Service Manual Provides a large selection of free eBooks in different genres, which are available for download in various formats, including PDF. Finding specific Kubota M8200dnb M8200sdbn M8200sdbnc Workshop Service Manual, especially related to Kubota M8200dnb M8200sdbn M8200sdbnc Workshop Service Manual, might be challenging as theyre often artistic creations rather than practical blueprints. However, you can explore the following steps to search for or create your own Online Searches: Look for websites, forums, or blogs dedicated to Kubota M8200dnb M8200sdbn M8200sdbnc Workshop Service Manual, Sometimes enthusiasts share their designs or concepts in PDF format. Books and Magazines Some Kubota M8200dnb M8200sdbn M8200sdbnc Workshop Service Manual books or magazines might include. Look for these in online stores or libraries. Remember that while Kubota M8200dnb M8200sdbn M8200sdbnc Workshop Service Manual, sharing copyrighted material without permission is not legal. Always ensure youre either creating your own or obtaining them from legitimate sources that allow sharing and downloading. Library Check if your local library offers eBook lending services. Many libraries have digital catalogs where you can borrow Kubota M8200dnb M8200sdbn M8200sdbnc Workshop Service Manual eBooks for free, including popular titles. Online Retailers: Websites like Amazon, Google Books, or Apple Books often sell eBooks. Sometimes, authors or publishers offer promotions or free periods for certain books. Authors Website Occasionally, authors provide excerpts or short stories for free on their websites. While this might not be the Kubota M8200dnb M8200sdbn M8200sdbnc Workshop Service Manual full book , it can give you a taste of the authors writing style. Subscription Services Platforms like Kindle Unlimited or Scribd offer subscription-based access to a wide range of Kubota M8200dnb M8200sdbn M8200sdbnc Workshop Service Manual eBooks, including some popular titles.

FAQs About Kubota M8200dnb M8200sdnb M8200sdnbc Workshop Service Manual Books

1. Where can I buy Kubota M8200dnb M8200sdnb M8200sdnbc Workshop Service Manual books? Bookstores: Physical bookstores like Barnes & Noble, Waterstones, and independent local stores. Online Retailers: Amazon, Book Depository, and various online bookstores offer a wide range of books in physical and digital formats.
2. What are the different book formats available? Hardcover: Sturdy and durable, usually more expensive. Paperback: Cheaper, lighter, and more portable than hardcovers. E-books: Digital books available for e-readers like Kindle or software like Apple Books, Kindle, and Google Play Books.
3. How do I choose a Kubota M8200dnb M8200sdnb M8200sdnbc Workshop Service Manual book to read? Genres: Consider the genre you enjoy (fiction, non-fiction, mystery, sci-fi, etc.). Recommendations: Ask friends, join book clubs, or explore online reviews and recommendations. Author: If you like a particular author, you might enjoy more of their work.
4. How do I take care of Kubota M8200dnb M8200sdnb M8200sdnbc Workshop Service Manual books? Storage: Keep them away from direct sunlight and in a dry environment. Handling: Avoid folding pages, use bookmarks, and handle them with clean hands. Cleaning: Gently dust the covers and pages occasionally.
5. Can I borrow books without buying them? Public Libraries: Local libraries offer a wide range of books for borrowing. Book Swaps: Community book exchanges or online platforms where people exchange books.
6. How can I track my reading progress or manage my book collection? Book Tracking Apps: Goodreads, LibraryThing, and Book Catalogue are popular apps for tracking your reading progress and managing book collections. Spreadsheets: You can create your own spreadsheet to track books read, ratings, and other details.
7. What are Kubota M8200dnb M8200sdnb M8200sdnbc Workshop Service Manual audiobooks, and where can I find them? Audiobooks: Audio recordings of books, perfect for listening while commuting or multitasking. Platforms: Audible, LibriVox, and Google Play Books offer a wide selection of audiobooks.
8. How do I support authors or the book industry? Buy Books: Purchase books from authors or independent bookstores. Reviews: Leave reviews on platforms like Goodreads or Amazon. Promotion: Share your favorite books on social media or recommend them to friends.
9. Are there book clubs or reading communities I can join? Local Clubs: Check for local book clubs in libraries or community centers. Online Communities: Platforms like Goodreads have virtual book clubs and discussion groups.
10. Can I read Kubota M8200dnb M8200sdnb M8200sdnbc Workshop Service Manual books for free? Public Domain Books: Many classic books are available for free as they're in the public domain. Free E-books: Some websites offer free

e-books legally, like Project Gutenberg or Open Library.

Find Kubota M8200dnb M8200sdnb M8200sdnbc Workshop Service Manual :

intertherm mmha series furnace manual

international truck isis service manual drive shaf

international economics carbaugh 13th edition solution manual

intro to thermal physics solutions manual notes

introduction risk management and insurance 9th edition

international harvester 234 hydro 234 244 254 tractors shop service repair improved manual

intex 635 manual

internet programming manual

into the woods monologues for little red

introduction for diabetes essay

introduccion a la linguistica espanola

international transtar 4700 service manual

introduction fluid mechanics solution manual fox

international trucks repair manual 1964

international politics purpose global affairs

Kubota M8200dnb M8200sdnb M8200sdnbc Workshop Service Manual :

learn about section 8 requirements in michigan my section 8 - Apr 29 2022

web important documents to have include proof of citizenship in the form of a u s driver s license state id passport or birth certificate proof of legal presence if you are a non

michigan merit curriculum graduation requirements - Dec 26 2021

web the michigan merit curriculum is the result of an extraordinary partnership between the executive branch state board of education superintendent of public instruction

middle school 7 8 michigan model for health - May 31 2022

web the michigan model for health tm middle school curriculum grades 7 8 addresses the major youth health risk behaviors identified by the center for disease control and

test changes coming for michigan 8th graders the detroit news - Jul 01 2022

web mar 20 2019 starting this april eighth graders will take the college board s psat 8 9 instead of the michigan student test of educational progress m step in math and

quick reference guide courses that can be taught state of - Feb 08 2023

web courses that can be taught michigan compiled laws mcl 380 1531 and the teacher certification code typically require teachers hold the endorsement for the subject s and

michigan k 12 standards for social studies - Sep 03 2022

web 6th 8th grades michigan k 12 social studies standards v 6 19 michigan department of education introduction michigan s social studies content

m step summative state of michigan - Oct 24 2021

web m step summative the michigan student test of educational progress or m step is a 21st century computer based assessment designed to gauge how well students are

michigan 8th grade requirements harvard university - Jan 07 2023

web m step grade 8 social studies success strategies includes the 5 secret keys to m step success time is your greatest enemy guessing is not guesswork practice

academic standards state of michigan - Aug 14 2023

web k 8 glces for health education mathematics mathematics course credit requirements michigan k 12 mathematics standards

9 things to know about standardized testing in michigan - Mar 29 2022

web apr 7 2022 grades three through seven will take english math science and social studies m step assessments students in eighth through 10th grades take the psat

curriculum standards state of michigan - Sep 22 2021

web curriculum standards like adults at work students at school have difficulty being successful if they are depressed tired not engaging in enough physical activity bullied

michigan k 12 standards science state of michigan - Apr 10 2023

web michigan s science standards are organized by grade level k 5 and then by grade span in middle school and high school the k 5 grade level organization reflects the

school teacher requirements in michigan mi education - Feb 25 2022

web learn about michigan teaching requirements licensing and applying for accreditation school teacher requirements in michigan mi michigan ranking 8th in population

k 8 glce mathematics companion documents state of michigan - Nov 24 2021

web academic standards k 8 glce mathematics companion documents underwoodb michigan gov michigan s nationally recognized glce provide schools

michigan k 12 standards english language arts state of michigan - Aug 02 2022

web grade levels for k 8 grade bands for 9 10 and 11 12 the standards use individual grade levels in kindergarten through grade 8 to provide useful specificity the standards use

ixl michigan eighth grade science standards - Jun 12 2023

web common core state standards grades 6 8 literacy in science technical subjects actions print standards ps physical sciences structure and properties of matter ms

guide to state assessments state of michigan - May 11 2023

web ñl i iu o8Ââ 6Ï³ Ñ c LÃb²n r x m tÿ^arð dn jy 4öí ^Øé È Ê8Ñ ræ jqÚ èqs^aÑfð Û Ö 1 l ë ùj4Ïp Øyní² e uŠ²Â¹Ìhòyu øyi n a d Ô

learn about section 8 requirements in michigan - Jan 27 2022

web however beyond just understanding the state qualifications for section 8 it is also important to understand the qualifications per county michigan counties vary in terms of the

michigan math standards - Mar 09 2023

web with the reauthorizaion of the 2001 elementary and secondary educaion act esea commonly known as no child let behind nclb michigan embarked on a standards

8th grade state of michigan - Jul 13 2023

web mar 28 2008 the k 8 social studies glce were developed to meet the following criteria rigor challenging enough to equip students to succeed at the next grade level represent

high school graduation requirements state of michigan - Dec 06 2022

web districts must ensure that any student who entered 8th grade in 2006 year and wishes to receive a high school diploma from a public school must meet the requirements of the

college preparation university of michigan office of - Oct 04 2022

web beyond specific academic requirements focusing on what you can do in your curriculum to be successful is an excellent starting point 9th 12th grade subject patterns for students

michigan k 12 standards for social studies state of michigan - Nov 05 2022

web michigan k 12 social studies standards v 6 19 michigan department of education 3 the goals of social studies introduction michigan s social

a twisted tale collection a boxed set by liz braswell books a million - May 01 2022

web a paperback boxed set that collects the first three books in the wildly popular a twisted tale series for the first time discover your favorite worlds and stories with game changing twists that will have you feverishly turning pages to follow your heroes and heroines into all new adventures

a twisted tale series 7 book set amazon com - Jun 02 2022

web jan 1 2020 this hardcover set of twisted tales collects seven of your favorite disney classics boldly re imagined includes the following titles mirror mirror conceal don t feel part of your world reflection straight on till morning as old as time and so this is love language english

a twisted tale collection a boxed set bookshop - Aug 04 2022

web a paperback boxed set that collects the first three books in the wildly popular a twisted tale series for the first time a whole new world once upon a dream as old as time discover your favorite worlds and stories with game changing twists that will have you feverishly turning pages to follow your heroes and heroines into all new adventures

a twisted tale collection a boxed set shopdisney - May 13 2023

web this paperback boxed set collects the first three books in the wildly popular a twisted tale series for the first time a whole new world once upon a dream and as old as time reintroduces fans to their favorite worlds and stories

amazon com customer reviews a twisted tale collection a boxed set - Sep 05 2022

web dec 28 2022 a twisted tale collection a boxed set twisted tale a customer reviews customer reviews 4 8 out of 5 3 764 global ratings how customer reviews and ratings work top positive review all positive reviews anae my grand daughter love it

a twisted tale collection a boxed set ██████████ ████████ - Feb 27 2022

web sep 4 2018 a paperback boxed set that collects the first three books in the wildly popular a twisted tale series for the first time a whole new world once upon a dream and as old as time will reintroduce fans to their favorite worlds and stories with game changing twists that have readers feverishly turning pages to follow their heroes and heroines

a twisted tale collection by liz braswell disney books - Dec 08 2022

web print a paperback boxed set that collects the first three books in the wildly popular a twisted tale series for the first time a whole new world once upon a dream and as old as time will reintroduce fans to their favorite worlds and stories with game changing twists that have readers feverishly turning pages to follow their heroes and

a twisted tale collection a boxed set goodreads - Jun 14 2023

web sep 4 2018 a paperback boxed set that collects the first three books in the wildly popular a twisted tale series for the first time discover your favorite worlds and stories with game changing twists that will have you feverishly turning pages to follow your heroes and heroines into all new adventures

[a twisted tale collection a boxed set amazon in](#) - Jul 03 2022

web a twisted tale collection a boxed set paperback 4 september 2018 by liz braswell author 4 8 3 725 ratings see all formats and editions paperback 2 499 20 2 used from 4 466 00 7 new from 2 499 20 emi starts at 121 no cost emi available emi options save extra with 3 offers

a twisted tale collection a boxed set amazon ca - Nov 07 2022

web in stock quantity add to cart buy now secure transaction ships from and sold by amazon ca add gift options have one to sell sell on amazon see this image follow the author liz braswell a twisted tale collection a boxed set paperback sept 4 2018 by liz braswell author 3 719 ratings collects books from twisted tale a

a twisted tale collection a boxed set amazon pl - Dec 28 2021

web a paperback boxed set that collects the first three books in the wildly popular a twisted tale series for the first time a whole new world once upon a dream as old as time discover your favorite worlds and stories with game changing twists that will have you feverishly turning pages to follow your heroes and heroines into all new adventures

a twisted tale collection a boxed set amazon com - Aug 16 2023

web sep 4 2018 paperback 15 39 29 used from 8 41 24 new from 15 39 a paperback boxed set that collects the first three books in the wildly popular a twisted tale series for the first time a whole new world once upon a dream

a twisted tale collection a boxed set softcover abebooks - Oct 06 2022

web abebooks com a twisted tale collection a boxed set 9781368022101 by braswell liz and a great selection of similar new used and collectible books available now at great prices

buy a twisted tale collection a boxed set twisted tale a - Mar 11 2023

web nov 9 2021 shop for a twisted tale collection a boxed set twisted tale a paperback box set september 4 2018 online at an affordable price in ubuy turkey get special offers deals discounts fast delivery options on international shipping with every purchase on ubuy 1368022103

a twisted tale collection a boxed set amazon ae - Jan 09 2023

web a twisted tale collection a boxed set by braswell liz amazon ae books children s books literature fiction yes i want free delivery enjoy free fast delivery with amazon prime buy new aed 125 00 all prices include vat free returns free delivery tomorrow 5 september order within 6 hrs 53 mins select delivery location

a twisted tale collection a boxed set amazon fr - Mar 31 2022

web a paperback boxed set that collects the first three books in the wildly popular a twisted tale series for the first time a whole new world once upon a dream as old as time discover your favorite worlds and stories with game changing twists that will have you feverishly turning pages to follow your heroes and heroines into all new adventures

twisted tale collection a boxed set amazon com au - Jan 29 2022

web about the author after the sort of introverted childhood you would expect from a writer liz earned a degree in egyptology at brown university and then promptly spent the next ten years producing video games

a twisted tale collection a boxed set barnes noble - Apr 12 2023

web sep 4 2018 a paperback boxed set that collects the first three books in the wildly popular a twisted tale series for the first time a whole new world once upon a dream as old as time discover your favorite worlds and stories with game changing twists that will have you feverishly turning pages to follow your heroes and heroines into all new adventures

a twisted tale collection a boxed set amazon co uk - Feb 10 2023

web a paperback boxed set that collects the first three books in the wildly popular a twisted tale series for the first time a whole new world once upon a dream as old as time discover your favorite worlds and stories with game changing twists that will have you feverishly turning pages to follow your heroes and heroines into all new adventures

a twisted tale collection a boxed set amazon com tr - Jul 15 2023

web a twisted tale collection a boxed set braswell liz amazon com tr kitap Çerez tercihlerinizi seçin Çerez bildirimimizde ayrıntılı şekilde açıklandığı üzere alışveriş yapmanızı sağlamak alışveriş deneyiminizi iyileştirmek ve hizmetlerimizi sunmak için gerekli olan çerezleri ve benzer araçları kullanırız

loretta lynn coal miner s daughter releases discogs - Jun 03 2022

web coal miner s daughterlp reissue stereo explore the tracklist credits statistics and more for coal miner s daughter by loretta lynn compare versions and buy on discogs

loretta lynn coal miner s daughter by loretta lynn goodreads - May 14 2023

web may 1 1976 loretta lynn book read 382 reviews from the world s largest community for readers loretta lynn s classic memoir tells the story of her early life in bu

she s a coal miner s daughter but loretta lynn s mother taught - Oct 07 2022

web mar 31 2020 loretta lynn 87 is a country singer songwriter and a recipient of the presidential medal of freedom she is the author of coal miner s daughter and more recently me and patsy kickin

coal miner s daughter by loretta lynn goodreads - Jul 16 2023

web may 1 1976 kindle 9 99 rate this book coal miner s daughter loretta lynn 3 97 5 550 ratings419 reviews new york times bestselling author and nashville legend loretta lynn tells the story of her rise from deep poverty in butcher holler kentucky to the top of the male dominated country music industry

coal miner s daughter 1976 edition open library - Feb 28 2022

web coal miner s daughter by loretta lynn 0 ratings 3 want to read 0 currently reading 0 have read

editions of loretta lynn coal miner s daughter by loretta lynn - Sep 18 2023

web coal miner s daughter kindle edition published february 16th 2021 by grand central publishing expanded and updated edition kindle edition 321 pages more details want to read rate this book 1 of 5 stars 2 of 5 stars 3 of 5 stars 4 of 5 stars 5 of 5 stars

coal miner s daughter by loretta lynn open library - Jun 15 2023

web aug 11 2011 coal miner s daughter by loretta lynn george vescey 1977 warner books edition in english

coal miner s daughter 2022 edition open library - Mar 12 2023

web mar 2 2022 coal miner s daughter by loretta lynn george vescey 2022 grand central publishing edition in english

coal miner s daughter kindle edition amazon in - Apr 13 2023

web reissued for the 40th anniversary of the oscar winning sissy spacek starring film of the same name coal miner s daughter recounts loretta lynn s astonishing journey to become one of the original queens of country music loretta grew up dirt poor in the mountains of kentucky she was married at thirteen years old and became a mother

amazon com coal miner s daughter ebook lynn loretta books - Oct 19 2023

web feb 16 2021 coal miner s daughter kindle edition by loretta lynn author format kindle edition 4 7 1 479 ratings see all formats and editions kindle 9 99 read with our free app audiobook 0 00 free with your audible trial hardcover 114 40 33 used from 4 11 2 new from 75 22 11 collectible from 34 99 paperback 12 49 38 used from 4 60 32

loretta lynn coal miner s daughter youtube - May 02 2022

web mar 13 2007 loretta lynn coal miner s daughter

coal miner s daughter bringing loretta lynn s story to life - Feb 11 2023

web oct 5 2022 george vecsey a former sports columnist and reporter for the new york times who covered religion and appalachia among his other beats co wrote coal miner s daughter with loretta lynn

loretta lynn coal miner s daughter official audio youtube - Nov 08 2022

web apr 2 2020 claim offer coal miner s daughter by loretta lynn listen to loretta lynn lorettalynn lnk to listenyd subscribe to the official loretta lynn youtube channel h

coal miners daughter by loretta lynn open library - Jul 04 2022

web coal miner s daughter by loretta lynn warner books c o little br edition an edition of coal miner s daughter 1976 coal miners daughter by loretta lynn 0 ratings 3 want to read 0 currently reading 0 have read share

coal miner s daughter by loretta lynn open library - Jan 10 2023

web coal miner s daughter by loretta lynn george vescey 2021 grand central publishing edition in english

stream coal miner s daughter by loretta lynn soundcloud - Apr 01 2022

web stream coal miner s daughter by loretta lynn on desktop and mobile play over 320 million tracks for free on soundcloud
[loretta lynn coal miner s daughter worldcat org](#) - Sep 06 2022

web loretta lynn coal miner s daughter loretta lynn author george vecsey author summary 1980 edition publisher warner
books new york 1980 genre autobiographies physical description isbn 0446914770 6134673 subjects autobiographies
country musicians country musicians correspondence lynn loretta musiciens country

[loretta lynn coal miner s daughter singer songwriter dies at 90](#) - Aug 05 2022

web oct 4 2022 loretta lynn the coal miner s daughter singer and songwriter has died at age 90 her songs mixed
vulnerability and toughness and their success shifted the power balance for women in

loretta lynn coal miner s daughter youtube - Dec 09 2022

web aug 26 2008 coal miner s daughter single version loretta lynn amzn to 2zzrlxc loretta lynn coal miner s daughter album
mp3 download amzn

loretta lynn coal miner s daughter free download borrow - Aug 17 2023

web mar 7 2023 loretta lynn coal miner s daughter free download borrow and streaming internet archive