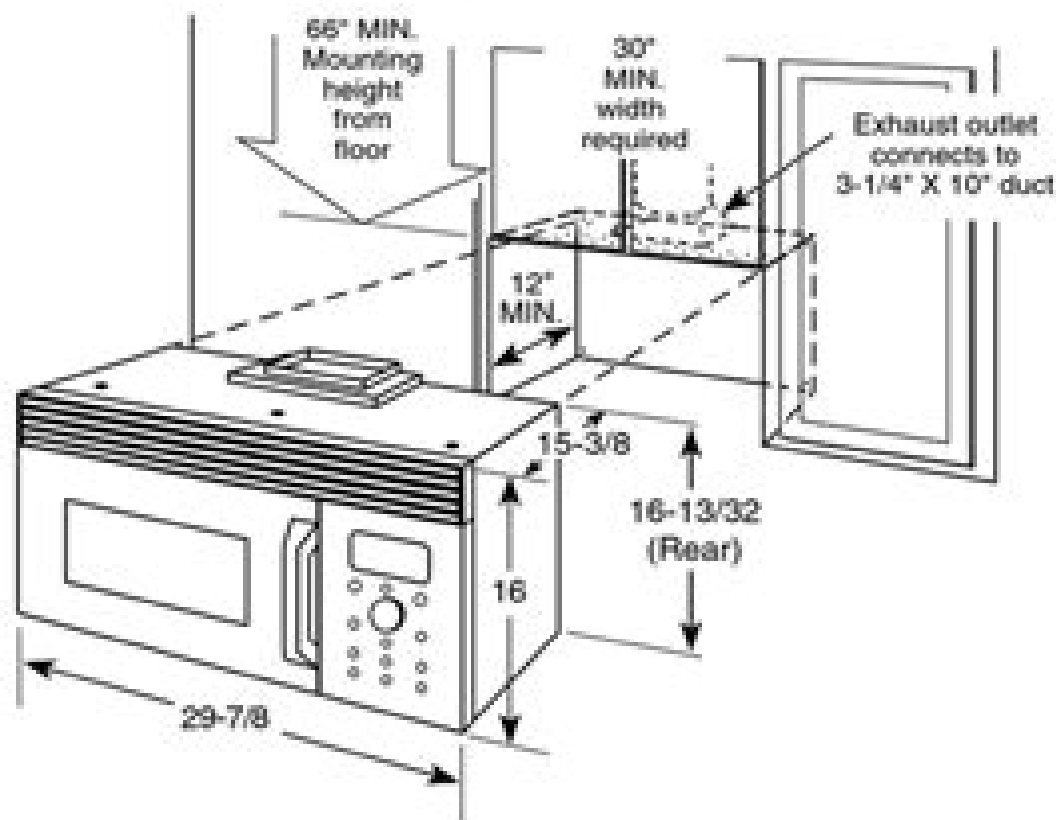




Profile

SCA1001KSS – Advantium® 120 Above-the-Cooktop Oven

Dimensional Information (in inches)



Important: Please read carefully. For personal safety, this appliance **must** be properly grounded to avoid severe or fatal shock.

Do not, under any circumstances, cut, deform, or remove any of the prongs from the power cord. Do not use with an extension cord.

Installation Information: This information is not intended to be used for installing unit described. Before installing, consult installation instructions packed with product/kit for current dimensional data.



Note: Outside venting is optional. Vent (duct) can be horizontal or vertical.

Specification Revised 5/05
26427

For answers to your Monogram®, GE Profile™ or GE® appliance questions, visit our website at GEAppliances.com or call GE Answer Center® service, 800.626.2000.

Ge Microwave Repair Manual Advantium Sca2015

L Darling-Hammond



Ge Microwave Repair Manual Advantium Sca2015:

Unveiling the Magic of Words: A Overview of "**Ge Microwave Repair Manual Advantium Sca2015**"

In some sort of defined by information and interconnectivity, the enchanting power of words has acquired unparalleled significance. Their capability to kindle emotions, provoke contemplation, and ignite transformative change is actually awe-inspiring. Enter the realm of "**Ge Microwave Repair Manual Advantium Sca2015**," a mesmerizing literary masterpiece penned with a distinguished author, guiding readers on a profound journey to unravel the secrets and potential hidden within every word. In this critique, we shall delve in to the book is central themes, examine its distinctive writing style, and assess its profound impact on the souls of its readers.

https://staging.conocer.cide.edu/book/Resources/Documents/grandma_hekmat_remembers.pdf

Table of Contents Ge Microwave Repair Manual Advantium Sca2015

1. Understanding the eBook Ge Microwave Repair Manual Advantium Sca2015
 - The Rise of Digital Reading Ge Microwave Repair Manual Advantium Sca2015
 - Advantages of eBooks Over Traditional Books
2. Identifying Ge Microwave Repair Manual Advantium Sca2015
 - Exploring Different Genres
 - Considering Fiction vs. Non-Fiction
 - Determining Your Reading Goals
3. Choosing the Right eBook Platform
 - Popular eBook Platforms
 - Features to Look for in an Ge Microwave Repair Manual Advantium Sca2015
 - User-Friendly Interface
4. Exploring eBook Recommendations from Ge Microwave Repair Manual Advantium Sca2015
 - Personalized Recommendations
 - Ge Microwave Repair Manual Advantium Sca2015 User Reviews and Ratings
 - Ge Microwave Repair Manual Advantium Sca2015 and Bestseller Lists

5. Accessing Ge Microwave Repair Manual Advantium Sca2015 Free and Paid eBooks
 - Ge Microwave Repair Manual Advantium Sca2015 Public Domain eBooks
 - Ge Microwave Repair Manual Advantium Sca2015 eBook Subscription Services
 - Ge Microwave Repair Manual Advantium Sca2015 Budget-Friendly Options
6. Navigating Ge Microwave Repair Manual Advantium Sca2015 eBook Formats
 - ePub, PDF, MOBI, and More
 - Ge Microwave Repair Manual Advantium Sca2015 Compatibility with Devices
 - Ge Microwave Repair Manual Advantium Sca2015 Enhanced eBook Features
7. Enhancing Your Reading Experience
 - Adjustable Fonts and Text Sizes of Ge Microwave Repair Manual Advantium Sca2015
 - Highlighting and Note-Taking Ge Microwave Repair Manual Advantium Sca2015
 - Interactive Elements Ge Microwave Repair Manual Advantium Sca2015
8. Staying Engaged with Ge Microwave Repair Manual Advantium Sca2015
 - Joining Online Reading Communities
 - Participating in Virtual Book Clubs
 - Following Authors and Publishers Ge Microwave Repair Manual Advantium Sca2015
9. Balancing eBooks and Physical Books Ge Microwave Repair Manual Advantium Sca2015
 - Benefits of a Digital Library
 - Creating a Diverse Reading Collection Ge Microwave Repair Manual Advantium Sca2015
10. Overcoming Reading Challenges
 - Dealing with Digital Eye Strain
 - Minimizing Distractions
 - Managing Screen Time
11. Cultivating a Reading Routine Ge Microwave Repair Manual Advantium Sca2015
 - Setting Reading Goals Ge Microwave Repair Manual Advantium Sca2015
 - Carving Out Dedicated Reading Time
12. Sourcing Reliable Information of Ge Microwave Repair Manual Advantium Sca2015
 - Fact-Checking eBook Content of Ge Microwave Repair Manual Advantium Sca2015
 - Distinguishing Credible Sources
13. Promoting Lifelong Learning

- Utilizing eBooks for Skill Development
 - Exploring Educational eBooks
14. Embracing eBook Trends
- Integration of Multimedia Elements
 - Interactive and Gamified eBooks

Ge Microwave Repair Manual Advantium Sca2015 Introduction

Ge Microwave Repair Manual Advantium Sca2015 Offers over 60,000 free eBooks, including many classics that are in the public domain. Open Library: Provides access to over 1 million free eBooks, including classic literature and contemporary works. Ge Microwave Repair Manual Advantium Sca2015 Offers a vast collection of books, some of which are available for free as PDF downloads, particularly older books in the public domain. Ge Microwave Repair Manual Advantium Sca2015 : This website hosts a vast collection of scientific articles, books, and textbooks. While it operates in a legal gray area due to copyright issues, its a popular resource for finding various publications. Internet Archive for Ge Microwave Repair Manual Advantium Sca2015 : Has an extensive collection of digital content, including books, articles, videos, and more. It has a massive library of free downloadable books. Free-eBooks Ge Microwave Repair Manual Advantium Sca2015 Offers a diverse range of free eBooks across various genres. Ge Microwave Repair Manual Advantium Sca2015 Focuses mainly on educational books, textbooks, and business books. It offers free PDF downloads for educational purposes. Ge Microwave Repair Manual Advantium Sca2015 Provides a large selection of free eBooks in different genres, which are available for download in various formats, including PDF. Finding specific Ge Microwave Repair Manual Advantium Sca2015, especially related to Ge Microwave Repair Manual Advantium Sca2015, might be challenging as theyre often artistic creations rather than practical blueprints. However, you can explore the following steps to search for or create your own Online Searches: Look for websites, forums, or blogs dedicated to Ge Microwave Repair Manual Advantium Sca2015, Sometimes enthusiasts share their designs or concepts in PDF format. Books and Magazines Some Ge Microwave Repair Manual Advantium Sca2015 books or magazines might include. Look for these in online stores or libraries. Remember that while Ge Microwave Repair Manual Advantium Sca2015, sharing copyrighted material without permission is not legal. Always ensure youre either creating your own or obtaining them from legitimate sources that allow sharing and downloading. Library Check if your local library offers eBook lending services. Many libraries have digital catalogs where you can borrow Ge Microwave Repair Manual Advantium Sca2015 eBooks for free, including popular titles. Online Retailers: Websites like Amazon, Google Books, or Apple Books often sell eBooks. Sometimes, authors or publishers offer promotions or free periods for certain books. Authors Website Occasionally, authors provide excerpts or short stories for free on their websites. While this might not

be the Ge Microwave Repair Manual Advantium Sca2015 full book , it can give you a taste of the authors writing style. Subscription Services Platforms like Kindle Unlimited or Scribd offer subscription-based access to a wide range of Ge Microwave Repair Manual Advantium Sca2015 eBooks, including some popular titles.

FAQs About Ge Microwave Repair Manual Advantium Sca2015 Books

How do I know which eBook platform is the best for me? Finding the best eBook platform depends on your reading preferences and device compatibility. Research different platforms, read user reviews, and explore their features before making a choice. Are free eBooks of good quality? Yes, many reputable platforms offer high-quality free eBooks, including classics and public domain works. However, make sure to verify the source to ensure the eBook credibility. Can I read eBooks without an eReader? Absolutely! Most eBook platforms offer webbased readers or mobile apps that allow you to read eBooks on your computer, tablet, or smartphone. How do I avoid digital eye strain while reading eBooks? To prevent digital eye strain, take regular breaks, adjust the font size and background color, and ensure proper lighting while reading eBooks. What the advantage of interactive eBooks? Interactive eBooks incorporate multimedia elements, quizzes, and activities, enhancing the reader engagement and providing a more immersive learning experience. Ge Microwave Repair Manual Advantium Sca2015 is one of the best book in our library for free trial. We provide copy of Ge Microwave Repair Manual Advantium Sca2015 in digital format, so the resources that you find are reliable. There are also many Ebooks of related with Ge Microwave Repair Manual Advantium Sca2015. Where to download Ge Microwave Repair Manual Advantium Sca2015 online for free? Are you looking for Ge Microwave Repair Manual Advantium Sca2015 PDF? This is definitely going to save you time and cash in something you should think about. If you trying to find then search around for online. Without a doubt there are numerous these available and many of them have the freedom. However without doubt you receive whatever you purchase. An alternate way to get ideas is always to check another Ge Microwave Repair Manual Advantium Sca2015. This method for see exactly what may be included and adopt these ideas to your book. This site will almost certainly help you save time and effort, money and stress. If you are looking for free books then you really should consider finding to assist you try this. Several of Ge Microwave Repair Manual Advantium Sca2015 are for sale to free while some are payable. If you arent sure if the books you would like to download works with for usage along with your computer, it is possible to download free trials. The free guides make it easy for someone to free access online library for download books to your device. You can get free download on free trial for lots of books categories. Our library is the biggest of these that have literally hundreds of thousands of different products categories represented. You will also see that there are specific sites catered to different product types or categories, brands or niches related with Ge Microwave Repair Manual Advantium Sca2015. So depending

on what exactly you are searching, you will be able to choose e books to suit your own need. Need to access completely for Campbell Biology Seventh Edition book? Access Ebook without any digging. And by having access to our ebook online or by storing it on your computer, you have convenient answers with Ge Microwave Repair Manual Advantium Sca2015 To get started finding Ge Microwave Repair Manual Advantium Sca2015, you are right to find our website which has a comprehensive collection of books online. Our library is the biggest of these that have literally hundreds of thousands of different products represented. You will also see that there are specific sites catered to different categories or niches related with Ge Microwave Repair Manual Advantium Sca2015 So depending on what exactly you are searching, you will be able to choose ebook to suit your own need. Thank you for reading Ge Microwave Repair Manual Advantium Sca2015. Maybe you have knowledge that, people have search numerous times for their favorite readings like this Ge Microwave Repair Manual Advantium Sca2015, but end up in harmful downloads. Rather than reading a good book with a cup of coffee in the afternoon, instead they juggled with some harmful bugs inside their laptop. Ge Microwave Repair Manual Advantium Sca2015 is available in our book collection an online access to it is set as public so you can download it instantly. Our digital library spans in multiple locations, allowing you to get the most less latency time to download any of our books like this one. Merely said, Ge Microwave Repair Manual Advantium Sca2015 is universally compatible with any devices to read.

Find Ge Microwave Repair Manual Advantium Sca2015 :

grandma hekmata remembers

graphic artists guilds directory of illustration

great and terrible beauty

great american debate the

grandpa's scrapbook

grave digger

grandma and me at the flea los meros meros remateros

great age guide to the internet

grasping the world the idea of the museum histories of vision

grant writing made easy

granta 44 the last place on earth

grandmother mary

graphics master five a workbook of planning aids reference guides and graphic

great black entertainers paper dolls in full color

grapefruit its composition physiology

Ge Microwave Repair Manual Advantium Sca2015 :

one flew over the cuckoo s nest meaning themes - Jul 24 2022

web jan 12 2022 lesson summary what is one flew over the cuckoo s nest about ken kesey what is one flew over the cuckoo s nest about the story involves several characters patients and

one flew over the cuckoo s nest novelguide - Jun 22 2022

web this is a study guide one flew over the cuckoo s nest 1962 is a novel written by ken kesey set in an oregon asylum the narrative serves as a study of the institutional process and the human mind as well as a critique of behaviorism and a

one flew over the cuckoo s nest 1975 imdb - Sep 25 2022

web nov 19 1975 one flew over the cuckoo s nest directed by milos forman with michael berryman peter brocco dean r brooks alonzo brown in the fall of 1963 a korean war veteran and criminal pleads insanity and is admitted to a mental institution where he rallies up the scared patients against the tyrannical nurse

one flew over the cuckoo s nest encyclopedia com - Aug 25 2022

web one flew over the cuckoo s nest by ken kesey the literary work a novel set in a mental hospital in oregon during the late 1950s published in 1962 synopsis an energetic con man seeks institutionalization as a means of escaping the rigors of a prison work farm

one flew over the cuckoo s nest overview thoughtco - May 02 2023

web oct 31 2019 one flew over the cuckoo s nest is a novel by ken kesey published in 1962 and set in an oregon psychiatric hospital the narrative actually serves as a study of the contraposition between society s repressiveness through its institutions and individualistic principles

one flew over the cuckoo s nest questions answers sparknotes - Jul 04 2023

web the phrase one flew over the cuckoo s nest is taken from a children s folk rhyme which is quoted in the novel s epigraph one flew east one flew west one flew over the cuckoo s nest flying over the cuckoo s nest implies that someone has gone insane as the slang word cuckoo has long been synonymous with crazy

the one flew over the cuckoo s nest ending explained looper - Mar 20 2022

web sep 18 2020 writer ken kesey s time working as a nurse s aid at a psychiatric ward at a veteran s hospital in 1960 inspired the idea for one flew over the cuckoo s nest that same year dr freeman performed

one flew over the cuckoo s nest film wikipedia - Jun 03 2023

web one flew over the cuckoo s nest is a 1975 american psychological drama film directed by miloř forman based on the 1962

novel of the same name by ken kesey the film stars jack nicholson who plays a new patient at a mental institution alongside louise fletcher who plays an austere nurse

one flew over the cuckoo s nest study guide litcharts - Nov 27 2022

web detailed summary analysis part one part two part three part four themes all themessanity v institutional control vs human dignity social pressure and shame the combine machine nature and man emasculation and sexuality quotes characters all characterschief bromden randle p mcmurphy nurse ratched dale harding doctor

one flew over the cuckoo s nest novel wikiwand - Sep 06 2023

web one flew over the cuckoo s nest is a novel by ken kesey published in 1962 set in an oregon psychiatric hospital the narrative serves as a study of institutional processes and the human mind including a critique of psychiatry and a tribute to individualistic principles

one flew over the cuckoo s nest cliffsnotes - Oct 27 2022

web bibbit a 31 year old virgin had made a date with the prostitute candy starr and mcmurphy vows to stay until bibbit and starr have sex starr and another prostitute smuggle themselves onto the ward with liquor which combined with the marijuana provided by the african american night watchman mr turkle contribute to a night of debauchery

one flew over the cuckoo s nest study guide sparknotes - Apr 01 2023

web one flew over the cuckoo s nest sparknotes literature guide buy now view all available study guides from a general summary to chapter summaries to explanations of famous quotes the sparknotes one flew over the cuckoo s nest study guide has everything you need to ace quizzes tests and essays

one flew over the cuckoo s nest literary devices - May 22 2022

web a unique story of psychological impacts on human beings by ken kesey one flew over the cuckoo s nest first appeared in the markets in 1962 the story of the novel revolves around the institutional processes in which the psychological patients find themselves trapped the novel wins instant success on account of its touching storyline

one flew over the cuckoo s nest introduction summary - Feb 28 2023

web one flew over the cuckoo s nest novel by ken kesey first published in 1962 at a veterans administration hospital in menlo park california kesey had been a paid volunteer and experimental subject taking mind altering drugs and recording their effects and this experience and his work as an aide at the hospital served as fodder for this

one flew over the cuckoo s nest wikipedia - Aug 05 2023

web one flew over the cuckoo s nest may refer to one flew over the cuckoo s nest a 1962 novel by ken kesey one flew over the cuckoo s nest a 1963 stage adaptation of the novel starring kirk douglas one flew over the cuckoo s nest a 1975 film adaptation of the novel starring jack nicholson see also

one flew over the cuckoo s nest penguin orange collection - Dec 29 2022

web oct 18 2016 one flew over the cuckoo s nest boisterous ribald and ultimately shattering ken kesey s one flew over the cuckoo s nest is a seminal novel of the 1960s here is the unforgettable story of a mental ward and its inhabitants a counterculture classic that inspired the 1975 film adaptation widely considered one of the greatest

one flew over the cuckoo s nest summary thoughtco - Apr 20 2022

web oct 31 2019 the novel one flew over the cuckoo s nest conveys kesey s interest in the altered consciousness he wrote the sections where chief bromden is in a paranoid state believing that the hospital is an emasculating factory meant to repress individuality while under the influence upon the publication of one flew over the cuckoo s nest

one flew over the cuckoo s nest rhetoric and vision - Jan 30 2023

web dec 18 2016 michael m boardman ken kesey s one flew over the cuckoo s nest illustrates well the difficul ties of writing a successful tragic action in the modern world in large part the problem stems from what david daiches long ago termed the break down of the implicit agreement between author and readers about what was

[one flew over the cuckoo s nest novel wikipedia](#) - Oct 07 2023

web one flew over the cuckoo s nest is a novel by ken kesey published in 1962 set in an oregon psychiatric hospital the narrative serves as a study of institutional processes and the human mind including a critique of psychiatry 3 and a

one flew over the cuckoo s nest a novel idioma ing albert - Feb 16 2022

web right here we have countless books one flew over the cuckoo s nest a novel idioma ing and collections to check out we additionally provide variant types and moreover type of the books to browse the standard book fiction history novel scientific research as without difficulty as various extra sorts of books are readily user friendly

[build your own 2024 q5 sportback 2024 audi usa](#) - Sep 22 2021

web sep 7 2023 impressive power you need with the efficiency you want the available 3 5l powerboost full hybrid v6 engine cranks out a hefty dose of power 430

build your own car luxury car customizer by bmw usa - Mar 09 2023

web customize your own luxury car to fit your needs build and price a luxury sedan suv convertible and more with bmw s car customizer

[build a car online design a car online autobytel com](#) - Jun 12 2023

web build a car online for free using the autobytel vehicle configurator choose the trim color options and accessories see the price summary breakdown and get a quote

[3d configurator for a car threekit](#) - May 19 2021

[the 9 best model car kits in 2023 popular mechanics](#) - Oct 24 2021

web sep 8 2023 elon musk was so obsessed with robotaxis that he repeatedly vetoed his own plan to build a 25 000 electric car in favor of them until skeptical tesla executives

[artis forged 3d pro builder 3d vehicle configurator](#) - Nov 24 2021

web build your own 2024 q5 sportback 2024 q5 sportback redirect audi luxury sedans suvs convertibles electric vehicles more 2024 q5 sportback and be

2024 ford f 150 truck pricing photos specs more ford com - Jul 21 2021

web threekit enables you to create virtual experience for your product through ar photorealistic images and interactive 3d designs customize a sports car with whatever color suits

best kit car 2023 got the time money and space why not build - Dec 26 2021

web sep 11 2023 the best model car kits best chevy impala car model kit amt 1967 chevy impala model car kit best lamborghini car model kit maisto lamborghini

[diy dreams our 20 favorite kit cars autowise](#) - Oct 04 2022

web jul 29 2020 mev exocet designed by mills extreme vehicles mev the exocet is a kit car with a difference the full kit costs 3 495 making it the cheapest on the market

[build your own car luxury custom cars mercedes benz usa](#) - May 11 2023

web build your own custom luxury car to fit your needs build and price a luxury sedan suv convertible more with mercedes benz car customizer

[build your own car roadster hot rod supercar factory](#) - Feb 25 2022

web jan 4 2023 caterham seven 620 r mention kit cars and one brand comes to mind caterham the caterham seven is almost legendary and its ultimate form is the 620 r

7 amazing kit cars to build in your own garage carbuzz - Jul 01 2022

web a motor car that is yours and yours alone every rolls royce that leaves goodwood is unique to its owner our configurator lets you begin the journey of commissioning your

create a car build drive your creation abcya - Sep 03 2022

web jul 4 2020 1 caterham 7 caterham is the most well known kit car company in the world the british company started making a kit car version of the lotus seven in 1973 based

build your own toyota toyota configurator - Apr 10 2023

web build your toyota customize your own toyota car truck suv crossover hybrid or minivan by selecting the below models to get started cars minivan trucks

[configure your rolls royce rolls royce motor cars](#) - Apr 29 2022

web factory five racing was founded in 1995 over the years we have grown from a start up business in a small garage to become the world s largest manufacturer of build it

bentley car configurator bentley motors - Nov 05 2022

web design your very own vehicle with abcya s create a car choose from cars trucks buses and even construction vehicles customize your vehicle with different wheels

formacar 3d configurator - Feb 08 2023

web formacar 3d configurator

20 best kit cars you could build in your own garage luxatic - Mar 29 2022

web learn about building your own race car sports car or off road vehicle discover the types of race cars vehicles you can build learn the fundamentals of car physics design and

build your own race car sports car off road truck - Jan 27 2022

web artis forged 3d pro builder 3d vehicle configurator contact us phone 800 833 9700 34420 gateway dr bldg 100 palm desert ca 92211

[ferrari official car configurator](#) - Jul 13 2023

web ferrari official car configurator racing sports cars collections experiences about us sf90 xx stradale sf90 xx spider ferrari purosangue

how to build a culture that enables everyone to flourish forbes - Jun 19 2021

[21 car building plans how to build you own car at](#) - Jan 07 2023

web your commissioning experience starts here discover the world of luxury commissioning menu models world of bentley request test drive configurator please consult

[inside tesla why musk favored a 25k electric car over his own](#) - Aug 22 2021

web 1 day ago by taking these steps to create a culture where each member of your team is able to flourish you can unlock their full potential and all the benefits that come along

[build customize your car with ultra wheels car builder ultra](#) - May 31 2022

web jan 20 2023 buying your own car is rewarding at least for a while but building your own car brings a whole new level of accomplishment that s unparalleled by owning any

could you build a car from scratch redex - Aug 02 2022

web build customize your car with ultra wheels car builder test fit your tuner import track car with our new wheels by ultra

wheels

how to build your own car in just 400 easy steps - Dec 06 2022

web nov 10 2021 building your own car is a lot of work like car restoration projects it s a big job that can be overwhelming fortunately there are plenty of car kits available to

build and price your own car online vehicle configurator - Aug 14 2023

web Create your own car with the carbuzz car configurator tool select make model trim options and more to build and price your own car

user manual ricoh aficio mp 301spf english 212 pages - Jun 22 2022

web view the manual for the ricoh aficio mp 301spf here for free this manual comes under the category printers and has been rated by 17 people with an average of a 8 6 this manual is available in the following languages english do you have a question about the ricoh aficio mp 301spf or do you need help ask your question here

ricoh aficio mp 301spf user manual pdf download manualslib - Jul 04 2023

web view and download ricoh aficio mp 301spf user manual online manuals aficio mp 301spf all in one printer pdf manual download also for aficio mp 301sp mp 301spf mp 301sp

ricoh ricoh aficio mp 301spf users manual manualslib makes - Feb 16 2022

web ricoh aficio mp 301spf users manual manualslib makes it easy to find manuals online 2014 12 11 ricoh ricoh aficio mp 301spf users manual 121108 ricoh aficio mp 301spf users manual 121108 ricoh pdf

ricoh aficio mp 301sp 301spf service manual and parts - Sep 25 2022

web ricoh aficio mp 301sp 301spf service manual and parts catalog note up to 5 downloads only make sure to save your copy 9 00 quantity add to cart

ricoh aficio mp 301spf manuals manualslib - Aug 05 2023

web we have 5 ricoh aficio mp 301spf manuals available for free pdf download service manual user manual quick start manual brochure specs ricoh aficio mp 301spf service manual 553 pages brand ricoh category all in one printer size 4 67 mb

ricoh aficio mp301sp mp301spf service manual product code - Nov 27 2022

web ricoh aficio mp301sp mp301spf service manual product code d127 d128 this manual is in the pdf format and have detailed diagrams pictures and full procedures to diagnose and repair your ricoh you can print zoom or read any diagram picture or page from this manual

ricoh aficio mp301sp aficio mp301spf service manuals - Jan 30 2023

web our ricoh aficio mp301sp aficio mp301spf service manual provides the important servicing information and operating instructions you need to diagnose and repair your malfunctioning or failing unit

ricoh aficio mp 301spf assets ctfassets net - Apr 20 2022

web facsimile scanner mp 301spf 31 ppm monochrome affordable productive multitasking at your convenience raise your expectations and improve your productivity the ricoh aficio mp 301spf offers advanced capabilities to streamline workflow and reduce total cost of ownership

ricoh aficio mp 301spf owner s manual manualmachine com - Jan 18 2022

web aficio mp 301spf manual 1 pgs 203 82 kb 0 owner s manual 212 pgs 4 25 mb 0 table of contents ricoh aficio mp 301spf owner s manual ricoh owner s manual download user guide what you can do with this machine getting started you can use web services on devices

ricoh aficio mp 301spf user manual english 212 pages - May 22 2022

web view the manual for the ricoh aficio mp 301spf here for free this manual comes under the category printers and has been rated by 16 people with an average of a 8 7 this manual is available in the following languages english do you have a question about the ricoh aficio mp 301spf or do you need help ask your question here

ricoh mp301spf user manual pdf download manualslib - Apr 01 2023

web view and download ricoh mp301spf user manual online mp301spf printer pdf manual download also for mp c305spf

aficio mp 301sp 301spf download page ricoh support - Feb 28 2023

web jul 7 2022 aficio mp 301sp 301spf choose a language from the drop down list for users in europe description view download update file size manuals html pdf zip hqx 29 07 2014 9 764 kb user guide html pdf zip hqx 11 02 2016 2 898 kb fax connection unit type c optional operating instructions html pdf zip hqx

aficio mp 301sp 301spf download page ricoh support - Oct 07 2023

web jul 7 2022 aficio mp 301sp 301spf choose a language from the drop down list for users in europe description view download update file size manuals html pdf zip hqx 25 09 2012 10 188 kb user guide html pdf zip hqx 05 04 2012 4 148 kb fax connection unit type c optional operating instructions html pdf zip hqx

aficio mp 301sp 301spf downloads ricoh global - Dec 29 2022

web select driver language windows mac os x windows server firmware other os software device manager nx printer driver packager nx printer driver editor globalscan nx ricoh streamline nx card authentication package network device management web smartdevicemonitor remote communication gate s

ricoh aficio mp 301sp spf service manual ricoh black and - Aug 25 2022

web ricoh aficio mp 301sp spf service manual service manual ricoh aficio 240w contents 1 product information 2 installation 3 preventive maintenance

aficio mp 301sp 301spf download page ricoh support - Dec 17 2021

web jul 7 2022 aficio mp 301sp 301spf choose a language from the drop down list for users in europe description view
download update file size manuals html pdf zip hqx 29 07 2014 9 720 kb user guide html pdf zip hqx 11 02 2016 2 860 kb fax
connection unit type c optional operating instructions html pdf zip hqx

ricoh aficio mp 301spf service manual manualshelf - Sep 06 2023

web manuals brands ricoh manuals computer equipment aficio mp 301spf 1 2 3 4 5 6 7 8 9 10 1 2 3 553 summary of content
553 pages page 1 d127 d128 service manual page 2

ricoh aficio mp 301spf brochure specs manualslib - Mar 20 2022

web view and download ricoh aficio mp 301spf brochure specs online multifunction b w aficio mp 301spf all in one printer
pdf manual download

ricoh aficio mp301sp aficio mp301spf service manual - Jun 03 2023

web ricoh aficio mp301sp aficio mp301spf service manual includes technical bulletins product support guide 36 pages
service training manual 113 pages point 2 point diagrams 9 pages parts list 72 pages 105 pages field service manual 474
pages service manual 543 pages makes models covered

aficio mp 301sp 301spf download page ricoh support - May 02 2023

web last updated on 2022 07 07 15 35 00 aficio mp 301sp 301spf choose a language from the drop down list for users in
america page top

mp 301sp 301spf download page ricoh support - Nov 15 2021

web user guide htmlpdf zip hqx 04 05 2012 4 148 kb fax connection unit type c optional operating instructions htmlpdf zip hqx
11 29 2012 395 kb importing device setting information on the server htmlpdf zip hqx 05 26 2015 776 kb quick reference
copy guide html hqx 06 18 2013 716 kb quick reference fax guide html hqx

download ricoh aficio mp 301spf user manual manualslib - Oct 27 2022

web download ricoh aficio mp 301spf user manual ricoh aficio mp 301spf user manual brand ricoh category all in one printer
size 4 25 mb pages 212 this manual is also suitable for aficio mp 301sp mp 301spf mp 301sp

user manual ricoh mp 301 spf english 4 pages - Jul 24 2022

web view the manual for the ricoh mp 301 spf here for free this manual comes under the category printers and has been
rated by 1 people with an average of a 6 7 this manual is available in the following languages english do you have a question
about the ricoh mp 301 spf or do you need help ask your question here