

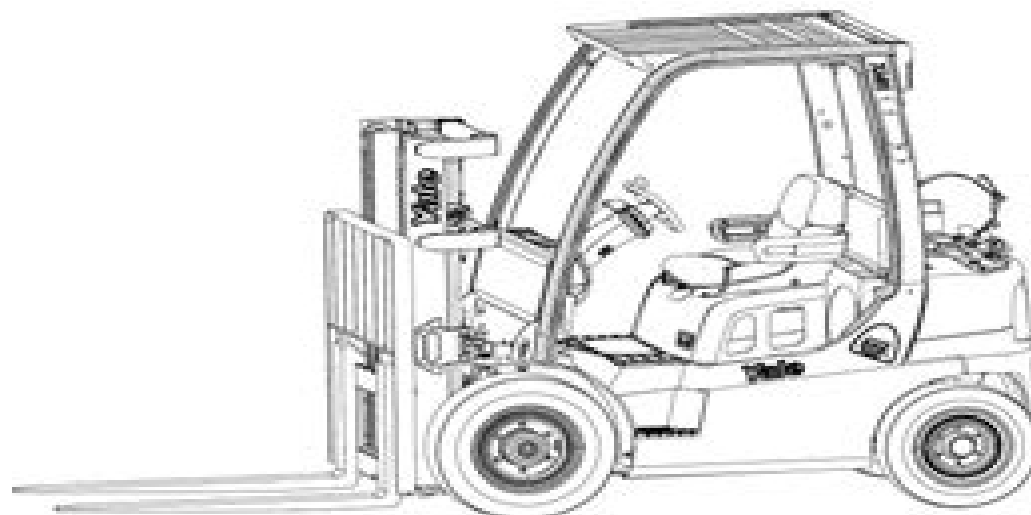
Bookmarks

- 1 GENERAL TRUCK
- 2 ENGINE ASSEMBLY
- 3 EXHAUST SYSTEM
- 4 COOLING SYSTEM
- 5 FUEL SYSTEM
- 6 ELECTRICAL SYSTEM
- 7 TRANSMISSION
- 8 DRIVE AXLE
- 9 STEERING SYSTEM
- 10 BRAKE SYSTEM
- 11 HYDRAULIC SYSTEM
- 12 LIFTING MECHANISM
- 13 ATTACHMENTS AND HEU
- 14 OPTIONS
- 15 FIELD CONVERSION KIT:



PARTS MANUAL

GP/GLP/GDP040VX-GP/GLP/GDP070VX (B875)



179921-01



Yale Materials Handling Corporation
1400 Sullivan Drive
Cedar No. 12011
Greenville, NC 27834-2011

PN# 524240895
© Yale Corp.
02/2007

Engine Overhaul Manual Yale Forklift

Zhe Xu



Engine Overhaul Manual Yale Forklift:

Thank you for downloading **Engine Overhaul Manual Yale Forklift**. Maybe you have knowledge that, people have search hundreds times for their favorite readings like this Engine Overhaul Manual Yale Forklift, but end up in infectious downloads. Rather than enjoying a good book with a cup of coffee in the afternoon, instead they juggled with some harmful virus inside their laptop.

Engine Overhaul Manual Yale Forklift is available in our book collection an online access to it is set as public so you can download it instantly.

Our book servers spans in multiple locations, allowing you to get the most less latency time to download any of our books like this one.

Merely said, the Engine Overhaul Manual Yale Forklift is universally compatible with any devices to read

https://staging.conocer.cide.edu/results/Resources/default.aspx/Eshre_Accreditation_For_Senior_Embryologists_Sample_Questions.pdf

Table of Contents Engine Overhaul Manual Yale Forklift

1. Understanding the eBook Engine Overhaul Manual Yale Forklift
 - The Rise of Digital Reading Engine Overhaul Manual Yale Forklift
 - Advantages of eBooks Over Traditional Books
2. Identifying Engine Overhaul Manual Yale Forklift
 - Exploring Different Genres
 - Considering Fiction vs. Non-Fiction
 - Determining Your Reading Goals
3. Choosing the Right eBook Platform
 - Popular eBook Platforms
 - Features to Look for in an Engine Overhaul Manual Yale Forklift
 - User-Friendly Interface
4. Exploring eBook Recommendations from Engine Overhaul Manual Yale Forklift

- Personalized Recommendations
- Engine Overhaul Manual Yale Forklift User Reviews and Ratings
- Engine Overhaul Manual Yale Forklift and Bestseller Lists
- 5. Accessing Engine Overhaul Manual Yale Forklift Free and Paid eBooks
 - Engine Overhaul Manual Yale Forklift Public Domain eBooks
 - Engine Overhaul Manual Yale Forklift eBook Subscription Services
 - Engine Overhaul Manual Yale Forklift Budget-Friendly Options
- 6. Navigating Engine Overhaul Manual Yale Forklift eBook Formats
 - ePub, PDF, MOBI, and More
 - Engine Overhaul Manual Yale Forklift Compatibility with Devices
 - Engine Overhaul Manual Yale Forklift Enhanced eBook Features
- 7. Enhancing Your Reading Experience
 - Adjustable Fonts and Text Sizes of Engine Overhaul Manual Yale Forklift
 - Highlighting and Note-Taking Engine Overhaul Manual Yale Forklift
 - Interactive Elements Engine Overhaul Manual Yale Forklift
- 8. Staying Engaged with Engine Overhaul Manual Yale Forklift
 - Joining Online Reading Communities
 - Participating in Virtual Book Clubs
 - Following Authors and Publishers Engine Overhaul Manual Yale Forklift
- 9. Balancing eBooks and Physical Books Engine Overhaul Manual Yale Forklift
 - Benefits of a Digital Library
 - Creating a Diverse Reading Collection Engine Overhaul Manual Yale Forklift
- 10. Overcoming Reading Challenges
 - Dealing with Digital Eye Strain
 - Minimizing Distractions
 - Managing Screen Time
- 11. Cultivating a Reading Routine Engine Overhaul Manual Yale Forklift
 - Setting Reading Goals Engine Overhaul Manual Yale Forklift
 - Carving Out Dedicated Reading Time
- 12. Sourcing Reliable Information of Engine Overhaul Manual Yale Forklift

- Fact-Checking eBook Content of Engine Overhaul Manual Yale Forklift
 - Distinguishing Credible Sources
13. Promoting Lifelong Learning
- Utilizing eBooks for Skill Development
 - Exploring Educational eBooks
14. Embracing eBook Trends
- Integration of Multimedia Elements
 - Interactive and Gamified eBooks

Engine Overhaul Manual Yale Forklift Introduction

In the digital age, access to information has become easier than ever before. The ability to download Engine Overhaul Manual Yale Forklift has revolutionized the way we consume written content. Whether you are a student looking for course material, an avid reader searching for your next favorite book, or a professional seeking research papers, the option to download Engine Overhaul Manual Yale Forklift has opened up a world of possibilities. Downloading Engine Overhaul Manual Yale Forklift provides numerous advantages over physical copies of books and documents. Firstly, it is incredibly convenient. Gone are the days of carrying around heavy textbooks or bulky folders filled with papers. With the click of a button, you can gain immediate access to valuable resources on any device. This convenience allows for efficient studying, researching, and reading on the go. Moreover, the cost-effective nature of downloading Engine Overhaul Manual Yale Forklift has democratized knowledge. Traditional books and academic journals can be expensive, making it difficult for individuals with limited financial resources to access information. By offering free PDF downloads, publishers and authors are enabling a wider audience to benefit from their work. This inclusivity promotes equal opportunities for learning and personal growth. There are numerous websites and platforms where individuals can download Engine Overhaul Manual Yale Forklift. These websites range from academic databases offering research papers and journals to online libraries with an expansive collection of books from various genres. Many authors and publishers also upload their work to specific websites, granting readers access to their content without any charge. These platforms not only provide access to existing literature but also serve as an excellent platform for undiscovered authors to share their work with the world. However, it is essential to be cautious while downloading Engine Overhaul Manual Yale Forklift. Some websites may offer pirated or illegally obtained copies of copyrighted material. Engaging in such activities not only violates copyright laws but also undermines the efforts of authors, publishers, and researchers. To ensure ethical downloading, it is advisable to utilize reputable websites that prioritize the legal distribution of content. When downloading Engine Overhaul Manual Yale Forklift, users should also

consider the potential security risks associated with online platforms. Malicious actors may exploit vulnerabilities in unprotected websites to distribute malware or steal personal information. To protect themselves, individuals should ensure their devices have reliable antivirus software installed and validate the legitimacy of the websites they are downloading from. In conclusion, the ability to download Engine Overhaul Manual Yale Forklift has transformed the way we access information. With the convenience, cost-effectiveness, and accessibility it offers, free PDF downloads have become a popular choice for students, researchers, and book lovers worldwide. However, it is crucial to engage in ethical downloading practices and prioritize personal security when utilizing online platforms. By doing so, individuals can make the most of the vast array of free PDF resources available and embark on a journey of continuous learning and intellectual growth.

FAQs About Engine Overhaul Manual Yale Forklift Books

1. Where can I buy Engine Overhaul Manual Yale Forklift books? Bookstores: Physical bookstores like Barnes & Noble, Waterstones, and independent local stores. Online Retailers: Amazon, Book Depository, and various online bookstores offer a wide range of books in physical and digital formats.
2. What are the different book formats available? Hardcover: Sturdy and durable, usually more expensive. Paperback: Cheaper, lighter, and more portable than hardcovers. E-books: Digital books available for e-readers like Kindle or software like Apple Books, Kindle, and Google Play Books.
3. How do I choose a Engine Overhaul Manual Yale Forklift book to read? Genres: Consider the genre you enjoy (fiction, non-fiction, mystery, sci-fi, etc.). Recommendations: Ask friends, join book clubs, or explore online reviews and recommendations. Author: If you like a particular author, you might enjoy more of their work.
4. How do I take care of Engine Overhaul Manual Yale Forklift books? Storage: Keep them away from direct sunlight and in a dry environment. Handling: Avoid folding pages, use bookmarks, and handle them with clean hands. Cleaning: Gently dust the covers and pages occasionally.
5. Can I borrow books without buying them? Public Libraries: Local libraries offer a wide range of books for borrowing. Book Swaps: Community book exchanges or online platforms where people exchange books.
6. How can I track my reading progress or manage my book collection? Book Tracking Apps: Goodreads, LibraryThing, and Book Catalogue are popular apps for tracking your reading progress and managing book collections. Spreadsheets: You can create your own spreadsheet to track books read, ratings, and other details.
7. What are Engine Overhaul Manual Yale Forklift audiobooks, and where can I find them? Audiobooks: Audio recordings

- of books, perfect for listening while commuting or multitasking. Platforms: Audible, LibriVox, and Google Play Books offer a wide selection of audiobooks.
8. How do I support authors or the book industry? Buy Books: Purchase books from authors or independent bookstores. Reviews: Leave reviews on platforms like Goodreads or Amazon. Promotion: Share your favorite books on social media or recommend them to friends.
 9. Are there book clubs or reading communities I can join? Local Clubs: Check for local book clubs in libraries or community centers. Online Communities: Platforms like Goodreads have virtual book clubs and discussion groups.
 10. Can I read Engine Overhaul Manual Yale Forklift books for free? Public Domain Books: Many classic books are available for free as they're in the public domain. Free E-books: Some websites offer free e-books legally, like Project Gutenberg or Open Library.

Find Engine Overhaul Manual Yale Forklift :

~~eshre accreditation for senior embryologists sample questions~~

esl study guide texas

erd diagram for equipment inventory system

escape from hell discussion guide questions

escape from butcher bay pc guide

epson stylus pro 7000 service manual user guide

ericsson dialog 442ip office user guide

escience biology labs manual answers

equilibrium pogil key

equations reducible to quadratics worksheet

~~epson stylus pro 7890 manual~~

epson vs220 manual

essay of final economic in matric 2014 paper1

epson stylus sx125 manual driver

erdpml instruction manual

Engine Overhaul Manual Yale Forklift :

[call center scripts templates and examples selmo pro com](#) - Jul 02 2022

web now that we ve considered how to write an effective high quality call center customer service script we ll now provide you with some outbound and inbound call center script templates these samples will give you an idea of the sort of tone you should aim for in call center scripts for your agents

effective call center scripts salesforce - Aug 03 2022

web although there isn t one single correct call center script that is perfect for every organisation there are certain commonalities between the best scripts that can be used to create sample scripts for call center agents the following sample inbound call center scripts may be helpful in giving you an idea of the basic preferred

call center scripts purpose examples and how to create your own indeed - Mar 30 2022

web feb 3 2023 a call center script is a carefully designed document that guides call center representatives as they interact with customers using scripts can reduce errors and provide representatives with answers so they can guide customers accurately and efficiently

the ultimate guide to crafting inbound call scripts that convert - Apr 11 2023

web apr 3 2023 take this inbound call script example you might say hi prospect name my name is your name from company name i m calling to introduce you to our new software solution which can help streamline your

inbound call center scripting for better agent customer - Sep 04 2022

web decision trees 9 mins read create inbound call center scripting for better agent customer engagement inbound call center scripting is an essential practice that agents or company representatives can rely on while interacting with customers both existing and potential over the phone depending upon the industry and function the script may vary

[customer service scripts 28 examples and templates to](#) - Jan 08 2023

web nov 3 2021 scripts can be easily tailored to suit your products services and style of business operation there will likely be some common scenarios you need to account for in your call center script sample inbound calls to e commerce companies will probably deal with delivery queries and defective product issues for example

inbound outbound call centre script examples best - Aug 15 2023

web jul 27 2021 here are examples of scripts you can use for an inbound call centre in such a scenario scenario 1 when a customer wants to buy a product out of stock customer hi i came across this product s name on your website

39 effective call center scripts your agents should be using - May 12 2023

web aug 16 2023 what is a call center script a call center script or customer service script is a document that outlines what an agent is supposed to say in response to a specific scenario a script guides agents through customer calls helping to reduce

errors and increase efficiency

[call center script pdf call centre telecommunications](#) - Dec 27 2021

web depending on the nature of the call or service these conversations can vary greatly in terms of content and approach hereunder are samples of typical conversations for an inbound outbound and directory assistance service inbound call agent thank you for calling abc company

[best practices for effective call center scripts callminer](#) - Oct 05 2022

web jun 16 2020 call center scripts are crucial for contact centers to ensure customer satisfaction read examples of best practices for call center scripting from the experts

7 inbound sales call script examples free templates - Nov 06 2022

web feb 14 2023 bitte exist seven outbound sales call picture view based on specific objectives such as setting an appointment citing a referral or follows up on a previous conversation download our free sales script templates and adjustable them to move leads through your sales treat more efficiency register to pdf or merge

[15 powerful customer service scripts for your team reve chat](#) - Feb 26 2022

web jun 22 2023 15 powerful customer service scripts for your team reach your customers on the 1 messaging channel whatsapp now available with reve chat learn more product make your customer communication smarter with our ai chatbot empower your service team with our enriched live chat solution

create the ultimate inbound sales script templates tips - Feb 09 2023

web dec 5 2022 it can feel daunting don t worry in this article we ll go through a few compelling script examples and actionable tips to create a persuasive inbound sales call script elements of an inbound sales call an inbound phone call from a prospect indicates a strong interest in buying your product service

call center scripts gladly - Apr 30 2022

web mar 19 2020 below is your essential call center script for e commerce and retail brand teams call center scripts best practices before we get into the actual script examples there are some important best practices that all calling agents should be aware of tone is half the battle you could have the best written script in the world and it won t mean

[15 super effective call center scripts for agents and](#) - Dec 07 2022

web feb 8 2023 let s check out some sample call center scripts feel free to use them as it is or modify them as per your needs opening scripts 1 opening scripts for call center agents hi thank you for calling company name my name is your name how may i

how to write an inbound call script what to ask when - Jun 01 2022

web everyone knows the first line of an inbound call script how can i help you today it s what comes next that may trip up

many canadian small and medium sized businesses

[call center script what is it balto real time guidance](#) - Jan 28 2022

web if you work in an inbound center a call center script inbound sample can be of use as you learn to interact with customers that may be calling for a variety of reasons including support or sales balto offers numerous features for helping call center agents as they converse with customers

9 call center script examples template screensteps - Jul 14 2023

web may 20 2022 copy and paste different call center script examples that you can use and update for your own business these call center script examples provide general script outlines for different industries plus you can download a free template that you can use to write your different call center call flows

[steal these inbound call center script samples the cx lead](#) - Jun 13 2023

web now you know what to pay attention to when working on your customer service templates i ve made a list of some ready made inbound call center scripts you can use in your company feel free to steal them go forth and make them your own inbound call center script examples

how to write an inbound call script simply contact - Mar 10 2023

web oct 2 2020 discover the objectives of an inbound call script the rules of writing it and using an inbound call script for establishing contact with potential clients

pearson the american revolution unit assesment pdf pdf - Dec 04 2022

web introduction pearson the american revolution unit assesment pdf pdf transformative ethnic studies in schools christine e sleeter 2020 this timely and compelling book conceptualizes ethnic studies not only as a vehicle to transform and revitalize the school curriculum but also as a way to reinvent teaching

pearson the american revolution unit assesment 2023 - Feb 06 2023

web pearson the american revolution unit assesment new york in the american revolution nov 29 2021 i survived the american revolution 1776 i survived 15 apr 03 2022 bestselling author lauren tarshis tackles the american revolution in this latest installment of the groundbreaking new york times bestselling i survived series

pearson the american revolution unit assesment pdf - Sep 01 2022

web untold sagas of the american revolution one that sheds light on the war itself and offers surprising at times unsettling insights into the way the war was conducted on both sides

test your knowledge on the american revolution proprofs - Jun 29 2022

web mar 20 2023 the american revolution is one of the most important events in the history of the world and it is also a part of your school s syllabus so gather all the knowledge you have of it and take this quiz right now anyone scoring above 75 in

this test deserves a medal questions and answers 1

pearson the american revolution unit assesment amoa - May 29 2022

web pearson the american revolution unit assesment 3 3 battle of brooklyn but thanks to a series of desperate charges by a single heroic regiment famously known as the immortal 400 washington was able to evacuate his men and the nascent continental army lived to fight another day in washington s immortals award winning military

pearson the american revolution unit assesment pdf old vulkk - Jul 31 2022

web pearson the american revolution unit assesment technically speaking the history and social foundations of american education 4 pearson the american revolution unit assesment 2022 10 02 quick reference to the most important persons dates events and movements that shaped the nation s system of

american revolution assessment teaching resources tpt - Jan 05 2023

web google forms google form assessment for the american revolution students will identify and analyze causes and effects key events people and motivations of the united states u s revolutionary war

ckhg unit 7 the american revolution core knowledge - Mar 07 2023

web ckhg grade levels ckhg units are correlated to topics at the grade levels specified in the core knowledge sequence which allows students in schools following the sequence to build knowledge grade by grade in other settings individual ckhg units may be used as supplemental resources

pearson the american revolution unit assesment download - Feb 23 2022

web the american yawp pearson the american revolution unit assesment downloaded from store1 shops widebot net by guest abbigail antonio the american revolution modern library this primary source edition provides 1 to 2 primary sources per chapter tied to the chapter s

american revolution unit test 835 plays quizizz - Aug 12 2023

web 1 pt in 1774 delegates from all the colonies except georgia met in philadelphia to discuss the problems the colonies were having with england this was called the a boston tea party b first continental congress c parliament d

pearson the american revolution unit assesment pdf - Oct 02 2022

web apr 3 2023 pearson the american revolution unit assesment 1 9 downloaded from uniport edu ng on april 3 2023 by guest pearson the american revolution unit assesment as recognized adventure as capably as experience roughly lesson amusement as capably as conformity can be gotten by just checking out a book

american revolution assessment pdf american revolution - Sep 13 2023

web assessment plans american revolution unit pre assessment multiple choices matching constructed response answer key included post assessment shortened version of the pre assessment answer key included performance assessments group

project rubric individual essay rubric participation rubric formative assessment

american revolution test practice proprofs - Apr 27 2022

web nov 3 2023 c heavily taxed by british government d denied religious freedom by the king correct answer b left mostly alone to govern themselves explanation the correct answer is left mostly alone to govern themselves this is because before 1763 the american colonies had a significant degree of self governance

pearson the american revolution unit assesment kristiana - Nov 03 2022

web pearson the american revolution unit assesment is available in our book collection an online access to it is set as public so you can download it instantly our book servers spans in multiple countries allowing you to get the most less latency time to download any of our books like this one

pearson the american revolution unit assesment - Mar 27 2022

web this pearson the american revolution unit assesment but end up in infectious downloads rather than enjoying a good book with a cup of tea in the afternoon instead they cope with some malicious bugs inside their computer pearson the american revolution unit assesment is available in our book collection an online access to it is

american revolution assessment overview il classroom - Jul 11 2023

web american revolution assessment overview this page provides information about the assessments for this unit wiki included in each guidebook unit assessment has three parts which together measure the following claims

the american revolution lesson overview khan academy - Apr 08 2023

web google classroom a high level overview of the american revolution after the seven years war the british government attempted to increase control over its american colonies the colonists rebelled against the change in policy which eventually led to the revolutionary war

pearson the american revolution unit assesment - May 09 2023

web kindly say the pearson the american revolution unit assesment is universally compatible with any devices to read the systematic design of instruction walter dick 1978 science instruction in the middle and secondary schools alfred t collette 1989 new edition of a text for preservice and inservice teachers covers background for science

pearson the american revolution unit assesment 2022 - Jun 10 2023

web pearson the american revolution unit assesment downloaded from cdn writermag com by guest brynn dillon edexcel gcse 9 1 history british america 1713 1783 pearson higher ed new york times bestseller an elegant synthesis done by the leading scholar in the field which nicely integrates the work on the american revolution over

pearson the american revolution unit assesment 2023 - Oct 14 2023

web level history the american revolution 1740 1796 and the usa in the 19th century 1803 1890 jan 03 2023 exam board ocr

level a level subject history first teaching september 2015 first exams as summer

[j explore le monde les bebes animaux national geographic](#) - Oct 08 2023

web j explore le monde les bebes animaux national geographic kids delano marfe ferguson amazon com tr kitap

[j explore le monde les bebes animaux explore my world baby](#) - Jun 04 2023

web j explore le monde les bebes animaux explore my world baby animals national geographic kids by marfe ferguson delano réalité qui en est donc a priori indépendante il s oppose donc à la fi 32 pages illustrées pour découvrir de nombreux animaux et en apprendre plus sur leur mode de vie et leur habitat des activités

j explore le monde les bebes animaux explore my world - Mar 01 2023

web apr 27 2021 download j explore le monde les bebes animaux explore my world baby animals national geographic kids de marfe ferguson delano libros ebooks j explore le monde les bebes animaux explore my world baby animals national geographic kids espanol pdf lee ahora download

national geographic kids j explore le monde les bébés animaux - Aug 06 2023

web may 28 2019 national geographic kids j explore le monde les bébés animaux delano marfe ferguson amazon ca books books

[j explore le monde les bebes animaux explore my world baby](#) - Jul 05 2023

web j explore le monde les bÃ bÃ s j explore le jardin de tout prÃ s mes premiÃ res essayer de ne pas rire vidÃ os drÃ les de chats et de chiens 27 15 livres d animaux dossiers mamanpourelavie j observe les animaux dans la nuit mes premiÃ res le monde de mumiah home facebook Ã ditions

[j explore le monde les bebes animaux explore my world baby](#) - Jun 23 2022

web oct 6 2023 j explore le monde les bebes animaux explore my world baby animals march 30th 2020 exploration marine les enfants ont exploré avec beaucoup d enthousiasme un bac sensoriel sur le thème de la mer j ai préparé dans un grand bac de la gélatine avec des poissons un

j explore le monde les bébés animaux scholastic - Sep 07 2023

web national geographic kids j explore le monde les bébés animaux de marfe ferguson delano Éditions scholastic isbn 9781443176453 couverture souple mai 2019 32 pages 20 cm x 20 cm 3 à 7 ans 7 99 les lecteurs curieux seront témoins d une journée typique dans la vie d un bébé animal et des premiers soins maternels qui

[explorer le monde archives le jardin d alysse](#) - Oct 28 2022

web dans le cadre d un projet sur les insectes et les petites bêtes du jardin j ai fait cet imagier pour travailler sur le vocabulaire les enfants connaissent mieux le nom des dinosaures que de certaines petites bêtes qu ils voient dans savoir plus [explorer le monde maternelle cycle 1 pdf à imprimer](#) - Jan 31 2023

web leçon exercices et évaluation pdf à imprimer de la catégorie explorer le monde maternelle cycle 1 plus de 33000 cours leçons exercices et évaluations avec correction de la maternelle au lycée pass edu ca tion les animaux les plantes le schéma corporel etc la matière l environnement l air le sable etc

[j explore le monde les babes animaux explore my world](#) - Apr 02 2023

web apr 2 2021 descargar j explore le monde les babes animaux explore my world baby animals national geographic kids de marfe ferguson delano ebooks pdf epub descargar libros gratis en español completos booksbszqal.blogspot.com

j explore le monde les babes animaux explore my w - Apr 21 2022

web j explore le monde les babes animaux explore my w 1 j explore le monde les babes animaux explore my w when somebody should go to the books stores search launch by shop shelf by shelf it is essentially problematic this is why we give the book compilations in this website it will categorically ease you to look guide j explore le

j explore le monde les babes animaux explore my w book - Jul 25 2022

web pages of j explore le monde les babes animaux explore my w a charming literary value full of fresh emotions lies an immersive symphony waiting to be embraced crafted by a wonderful composer of language that fascinating masterpiece conducts readers on a psychological trip well unraveling the

j explore le monde les babes animaux explore my w - Dec 30 2022

web jul 14 2023 explore my w national geographic kids j explore le monde les lions may 24 2021 see below for english description dans ce charmant album les enfants découvriront tout sur les lions leur comportement social leurs moyens de communication leur régime alimentaire et bien sûr leurs jeux les photographies et le texte simple

j explore le monde les babes animaux explore my world baby - Feb 17 2022

web jun 20 2023 j explore le monde les babes animaux explore my world baby animals national geographic kids by marfe ferguson delano les entoure curious kids will learn about a day in the life of a baby animal from a

[j explore le monde les babes animaux explore my w copy](#) - May 23 2022

web right here we have countless book j explore le monde les babes animaux explore my w and collections to check out we additionally offer variant types and in addition to type of the books to browse the gratifying book fiction history novel scientific research as skillfully as various additional sorts of books are readily open here as

j explore le monde les babes animaux alibris - Nov 28 2022

web buy j explore le monde les babes animaux by marfe ferguson delano online at alibris we have new and used copies available in 0 edition starting at shop now

j explore le monde les babes animaux explore my world baby - Aug 26 2022

web j explore le monde les babes animaux explore my world baby animals national geographic kids by marfe ferguson delano

il est dangereux de regarder vous pouvez mourir de rire bébés drôles may 26th 2020 il est dangereux de regarder vous pouvez mourir de rire bébés drôles tout le contenu est utilisé sous l'utilisation équitable accord

j explore le monde les bebes animaux explore my w bianchis - Mar 21 2022

web we have the funds for j explore le monde les bebes animaux explore my w and numerous book collections from fictions to scientific research in any way accompanied by them is this j explore le monde les bebes animaux explore

j explore le monde les bebes animaux explore my world baby - May 03 2023

web j explore le monde les bebes animaux explore my world baby animals national geographic kids by marfe ferguson delano le monde national geographic kids j explore le monde les bébés j adore le regard de la panthère bébés animaux infanticide cannibalisme viol la nature est le théâtre les 64 meilleures images de coucou mon petit

j explore le monde les bebes animaux explore my w pdf - Sep 26 2022

web inventer la situation des enfants dans le monde 2019 feb 10 2023 pour la première fois en 20 ans le rapport la situation des enfants dans le monde de l unicef examine le problème des enfants de la nourriture et de la nutrition fournissant une perspective actuelle sur un problème en rapide mutation malgré les progrès accomplis au