

Versiones 0.9 TwinAir 85 CV

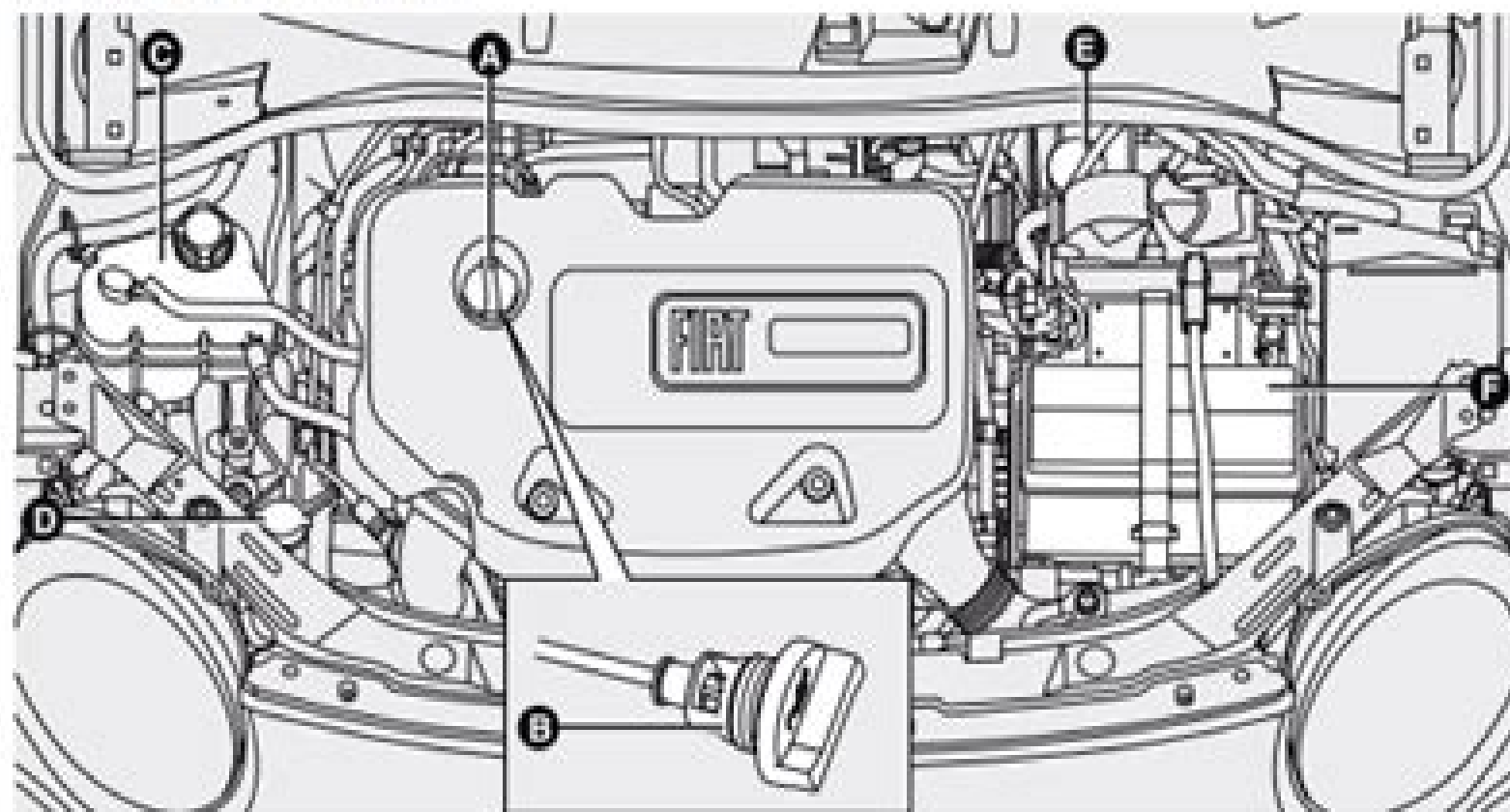


fig. 133

A. Tapón / Llenado del aceite del motor B. Varilla de control del nivel de aceite motor C. Líquido de refrigeración del motor D. Líquido del lavaparabrisas E. Líquido de frenos F. Batería

CONOCIMIENTO DE
CODICE

SEGURIDAD

PIEDRA EN MARCHA
Y CONDUCCIÓN

INDICADORES Y
MENSAJES

ENCASO DE
EMERGENCIA

MANTENIMIENTO
Y CUIDADOS

DATOS TÉCNICOS

ÍNDICE ALFABÉTICO

Manual Fiat 500 Espanol

K Morrison



Manual Fiat 500 Espanol:

Catalog of Copyright Entries. Third Series Library of Congress. Copyright Office,1979 **El Libro español** ,1978
Moody's Manual of Investments John Sherman Porter,1962 American government securities 1928 53 in 5 annual vols
v 1 Railroad securities 1952 53 Transportation v 2 Industrial securities v 3 Public utility securities v 4 Government securities
1928 54 v 5 Banks insurance companies investment trusts real estate finance and credit companies 1928 54 **Moody's
Bank and Finance Manual** ,1962 Catalogue of Title-entries of Books and Other Articles Entered in the Office of the
Librarian of Congress, at Washington, Under the Copyright Law ... Wherein the Copyright Has Been Completed by the
Deposit of Two Copies in the Office Library of Congress. Copyright Office,1979 **Moody's International Manual** ,1998
Books and Pamphlets, Including Serials and Contributions to Periodicals Library of Congress. Copyright Office,1977-07
Resources in Education ,1980 **Catalog of Copyright Entries. Third Series** Library of Congress. Copyright
Office,1977 Libros españoles, ISBN. ,1978

When people should go to the ebook stores, search inauguration by shop, shelf by shelf, it is in fact problematic. This is why we present the books compilations in this website. It will unconditionally ease you to see guide **Manual Fiat 500 Espanol** as you such as.

By searching the title, publisher, or authors of guide you in point of fact want, you can discover them rapidly. In the house, workplace, or perhaps in your method can be every best place within net connections. If you object to download and install the Manual Fiat 500 Espanol, it is enormously easy then, in the past currently we extend the link to purchase and create bargains to download and install Manual Fiat 500 Espanol appropriately simple!

<https://staging.conocer.cide.edu/book/virtual-library/fetch.php/ib%20chemistry%20sl%20paper%20november%202013.pdf>

Table of Contents Manual Fiat 500 Espanol

1. Understanding the eBook Manual Fiat 500 Espanol
 - The Rise of Digital Reading Manual Fiat 500 Espanol
 - Advantages of eBooks Over Traditional Books
2. Identifying Manual Fiat 500 Espanol
 - Exploring Different Genres
 - Considering Fiction vs. Non-Fiction
 - Determining Your Reading Goals
3. Choosing the Right eBook Platform
 - Popular eBook Platforms
 - Features to Look for in an Manual Fiat 500 Espanol
 - User-Friendly Interface
4. Exploring eBook Recommendations from Manual Fiat 500 Espanol
 - Personalized Recommendations
 - Manual Fiat 500 Espanol User Reviews and Ratings
 - Manual Fiat 500 Espanol and Bestseller Lists

5. Accessing Manual Fiat 500 Espanol Free and Paid eBooks
 - Manual Fiat 500 Espanol Public Domain eBooks
 - Manual Fiat 500 Espanol eBook Subscription Services
 - Manual Fiat 500 Espanol Budget-Friendly Options
6. Navigating Manual Fiat 500 Espanol eBook Formats
 - ePub, PDF, MOBI, and More
 - Manual Fiat 500 Espanol Compatibility with Devices
 - Manual Fiat 500 Espanol Enhanced eBook Features
7. Enhancing Your Reading Experience
 - Adjustable Fonts and Text Sizes of Manual Fiat 500 Espanol
 - Highlighting and Note-Taking Manual Fiat 500 Espanol
 - Interactive Elements Manual Fiat 500 Espanol
8. Staying Engaged with Manual Fiat 500 Espanol
 - Joining Online Reading Communities
 - Participating in Virtual Book Clubs
 - Following Authors and Publishers Manual Fiat 500 Espanol
9. Balancing eBooks and Physical Books Manual Fiat 500 Espanol
 - Benefits of a Digital Library
 - Creating a Diverse Reading Collection Manual Fiat 500 Espanol
10. Overcoming Reading Challenges
 - Dealing with Digital Eye Strain
 - Minimizing Distractions
 - Managing Screen Time
11. Cultivating a Reading Routine Manual Fiat 500 Espanol
 - Setting Reading Goals Manual Fiat 500 Espanol
 - Carving Out Dedicated Reading Time
12. Sourcing Reliable Information of Manual Fiat 500 Espanol
 - Fact-Checking eBook Content of Manual Fiat 500 Espanol
 - Distinguishing Credible Sources
13. Promoting Lifelong Learning

- Utilizing eBooks for Skill Development
 - Exploring Educational eBooks
14. Embracing eBook Trends
- Integration of Multimedia Elements
 - Interactive and Gamified eBooks

Manual Fiat 500 Espanol Introduction

In this digital age, the convenience of accessing information at our fingertips has become a necessity. Whether its research papers, eBooks, or user manuals, PDF files have become the preferred format for sharing and reading documents. However, the cost associated with purchasing PDF files can sometimes be a barrier for many individuals and organizations. Thankfully, there are numerous websites and platforms that allow users to download free PDF files legally. In this article, we will explore some of the best platforms to download free PDFs. One of the most popular platforms to download free PDF files is Project Gutenberg. This online library offers over 60,000 free eBooks that are in the public domain. From classic literature to historical documents, Project Gutenberg provides a wide range of PDF files that can be downloaded and enjoyed on various devices. The website is user-friendly and allows users to search for specific titles or browse through different categories. Another reliable platform for downloading Manual Fiat 500 Espanol free PDF files is Open Library. With its vast collection of over 1 million eBooks, Open Library has something for every reader. The website offers a seamless experience by providing options to borrow or download PDF files. Users simply need to create a free account to access this treasure trove of knowledge. Open Library also allows users to contribute by uploading and sharing their own PDF files, making it a collaborative platform for book enthusiasts. For those interested in academic resources, there are websites dedicated to providing free PDFs of research papers and scientific articles. One such website is Academia.edu, which allows researchers and scholars to share their work with a global audience. Users can download PDF files of research papers, theses, and dissertations covering a wide range of subjects. Academia.edu also provides a platform for discussions and networking within the academic community. When it comes to downloading Manual Fiat 500 Espanol free PDF files of magazines, brochures, and catalogs, Issuu is a popular choice. This digital publishing platform hosts a vast collection of publications from around the world. Users can search for specific titles or explore various categories and genres. Issuu offers a seamless reading experience with its user-friendly interface and allows users to download PDF files for offline reading. Apart from dedicated platforms, search engines also play a crucial role in finding free PDF files. Google, for instance, has an advanced search feature that allows users to filter results by file type. By specifying the file type as "PDF," users can find websites that offer free PDF downloads on a specific topic. While downloading Manual Fiat 500 Espanol free PDF files is convenient, its

important to note that copyright laws must be respected. Always ensure that the PDF files you download are legally available for free. Many authors and publishers voluntarily provide free PDF versions of their work, but its essential to be cautious and verify the authenticity of the source before downloading Manual Fiat 500 Espanol. In conclusion, the internet offers numerous platforms and websites that allow users to download free PDF files legally. Whether its classic literature, research papers, or magazines, there is something for everyone. The platforms mentioned in this article, such as Project Gutenberg, Open Library, Academia.edu, and Issuu, provide access to a vast collection of PDF files. However, users should always be cautious and verify the legality of the source before downloading Manual Fiat 500 Espanol any PDF files. With these platforms, the world of PDF downloads is just a click away.

FAQs About Manual Fiat 500 Espanol Books

What is a Manual Fiat 500 Espanol PDF? A PDF (Portable Document Format) is a file format developed by Adobe that preserves the layout and formatting of a document, regardless of the software, hardware, or operating system used to view or print it. **How do I create a Manual Fiat 500 Espanol PDF?** There are several ways to create a PDF: Use software like Adobe Acrobat, Microsoft Word, or Google Docs, which often have built-in PDF creation tools. Print to PDF: Many applications and operating systems have a "Print to PDF" option that allows you to save a document as a PDF file instead of printing it on paper. Online converters: There are various online tools that can convert different file types to PDF. **How do I edit a Manual Fiat 500 Espanol PDF?** Editing a PDF can be done with software like Adobe Acrobat, which allows direct editing of text, images, and other elements within the PDF. Some free tools, like PDFescape or Smallpdf, also offer basic editing capabilities. **How do I convert a Manual Fiat 500 Espanol PDF to another file format?** There are multiple ways to convert a PDF to another format: Use online converters like Smallpdf, Zamzar, or Adobe Acrobats export feature to convert PDFs to formats like Word, Excel, JPEG, etc. Software like Adobe Acrobat, Microsoft Word, or other PDF editors may have options to export or save PDFs in different formats. **How do I password-protect a Manual Fiat 500 Espanol PDF?** Most PDF editing software allows you to add password protection. In Adobe Acrobat, for instance, you can go to "File" -> "Properties" -> "Security" to set a password to restrict access or editing capabilities. Are there any free alternatives to Adobe Acrobat for working with PDFs? Yes, there are many free alternatives for working with PDFs, such as: LibreOffice: Offers PDF editing features. PDFsam: Allows splitting, merging, and editing PDFs. Foxit Reader: Provides basic PDF viewing and editing capabilities. How do I compress a PDF file? You can use online tools like Smallpdf, ILovePDF, or desktop software like Adobe Acrobat to compress PDF files without significant quality loss. Compression reduces the file size, making it easier to share and download. Can I fill out forms in a PDF file? Yes, most PDF viewers/editors like Adobe Acrobat, Preview (on Mac),

or various online tools allow you to fill out forms in PDF files by selecting text fields and entering information. Are there any restrictions when working with PDFs? Some PDFs might have restrictions set by their creator, such as password protection, editing restrictions, or print restrictions. Breaking these restrictions might require specific software or tools, which may or may not be legal depending on the circumstances and local laws.

Find Manual Fiat 500 Espanol :

ib chemistry sl paper november 2013

[ib eng hl paper sample](#)

[i c engine lab manual](#)

[i civics worksheet key federalism](#)

[ib economics hl math paper 3](#)

[ib ab initio paper 2013 german](#)

[ib economics papersl may 20markscheme](#)

ib chemistry sl study guide

[hyundai tucson 2008 manual](#)

i love nhs

~~i m not~~

ib exam 2question paper

~~ib history paper 3 may 2013 markschem~~

[ib german sl b past papers](#)

[ib exam paper 2010](#)

Manual Fiat 500 Espanol :

essential academic skills 2nd edition vitalsource - Oct 27 2022

web over 5 billion essential academic skills 2nd edition is written by kathy turner brenda krenus lynette ireland leigh pointon and published by oupanz the digital and etextbook isbn for essential academic skills are 9780195519006 0195519000 and the print isbn are 9780195576054 0195576055

[academic advising administration essential knowledge and skills](#) - Feb 16 2022

web the second edition of academic advising administration essential knowledge and skills for the 21st century examines the

evolving boundary crossing role of the advising administrator in an increasingly complex and diversified higher education environment

essential academic skills 2nd edition 9780195576054 - Jun 22 2022

web academic english skills for success second edition 9888208640 9789888208647 this book features five theme based units on cross disciplinary academic english skills focusing on the needs of first 2 692 398 108mb read more

essential academic skills by kathy turner boffins books - Jul 24 2022

web buy essential academic skills 2nd edition by kathy turner from boffins books in perth australia softcover published in 2011 by oxford university press visit us in the perth cbd

essential academic skills 2e 2nd edition amazon com - Sep 06 2023

web oct 19 2012 essential academic skills 2e 2nd edition by kathy turner author brenda krenus author lynette ireland author leigh pointon author 1 more see all formats and editions

oxford university press homepage - May 02 2023

web oxford university press homepage

sách oxford essential academic skills second edition - May 22 2022

web a step by step approach to the core skills of finding sources reading writing listening speaking and researching within a university context complete instructions on how to avoid plagiarism and enhance the use of sources through paraphrasing quotation summary in text citations and reference lists

essential academic skills 2e essential academic skills 2e - Jun 03 2023

web essential academic skills encourages and supports students to develop their skills to become the best learners they can be it takes a step by step approach to the essential skills

essential academic skills ebook oxford university press - Aug 05 2023

web sep 22 2011 student resources lecturer resources essential academic skills encourages and supports students to develop their skills to become the best learners they can be it takes a step by step approach to the essential skills required to complete a university degree and provides comprehensive learning support through examples and

essential academic skills second edition by kathy turner - Jul 04 2023

web sep 22 2011 a step by step approach to the core skills of finding sources reading writing listening speaking and researching within a university context complete instructions on how to avoid plagiarism and enhance the use of sources through paraphrasing quotation summary in text citations and reference lists

essential academic skills 2nd edition w9b most trusted web - Apr 20 2022

web sep 26 2023 essential academic skills 356 turner kathy krenus brenda ireland lynette pointon leigh 2020 second edition

with updated and improved

essential academic skills rent 9780195568363 chegg com - Aug 25 2022

web sep 28 2009 coupon rent essential academic skills 2nd edition 9780195568363 and save up to 80 on textbook rentals and 90 on used textbooks get free 7 day instant etextbook access

essential academic skills 2e oxford university press - Feb 28 2023

web comprehensive coverage of the essential assessment skills needed for success at university academic essays reports case studies reflective essays presentations group work examinations and primary research academic language support relevant to all university study and specific for each skill

essential academic skills 2e essential academic skills 2e 2nd edition - Sep 25 2022

web essential academic skills encourages and supports students to develop their skills to become the best learners they can be it takes a step by step approach to the essential skills required to complete a university degree and provides activities which give students the power to understand and improve how they learn

essential academic skills 2e essential academic skills 2e - Oct 07 2023

web essential academic skills 2e essential academic skills 2e turner kathy krenus brenda ireland lynette pointon leigh amazon com tr kitap

essential academic skills 2e 9780195576054 by turner kathy - Dec 29 2022

web essential academic skills 2nd edition by kathy turner english paperback book 2nd edition essential academic skills 2e essential academic skills 2e number of pages 352 pages 33 54

essential academic skills 2e essential academic skills 2e - Apr 01 2023

web essential academic skills encourages and supports students to develop their skills to become the best learners they can be it takes a step by step approach to the essential skills required to complete a university degree and provides activities which give students the power to understand and improve how they learn

essential academic skills 2e softcover abebooks - Jan 30 2023

web useful in book and online activities for students new to this edition new chapter 2 academic language support chapters 4 reading in an academic context and 5 basic academic writing skills have been significantly updated to cover the new technological possibilities in searching and referencing and to incorporate the latest version of the apa

engaging writing 2 essential skills for academic writing - Mar 20 2022

web jan 9 2011 appendices provide comprehensive grammar and mechanics review for reference and practice together engaging writing 1 and 2 feature a solid pedagogical core using clearly presented and logically sequenced rhetorical grammatical and lexical teaching points supported by high interest activities

[essential academic skills turner krenus ireland pointon](#) - Nov 27 2022

web comprehensive coverage of the essential assessment skills needed for success at university academic essays reports case studies reflective essays presentations group work examinations and primary research

il viaggio di argo i mitici sei google play - Jun 04 2023

web il viaggio di argo i mitici sei ebook written by simone frasca sara marconi read this book using google play books app on your pc android ios devices download for offline reading highlight bookmark or take notes while you read il viaggio di argo i mitici sei

il viaggio di argo i mitici sei frasca simone libreria ibs - Nov 28 2022

web i mitici sei frasca simone marconi sara ebook pdf con light drm ibs il viaggio di argo i mitici sei è un ebook di frasca simone marconi sara pubblicato da giunti junior nella collana i mitici sei a 4 99 il file è in formato pdf con light drm risparmia online con le offerte ibs ibs it l altro ecommerce

il viaggio di argo i mitici sei simone frasca sara marconi - Jul 05 2023

web il viaggio di argo i mitici sei è un libro di simone frasca sara marconi pubblicato da giunti junior acquista su ibs a 7 90 i mitici sei simone frasca sara marconi libro giunti junior ibs

il viaggio di argo i mitici sei libreria universitaria - Mar 21 2022

web acquista il bestseller il viaggio di argo i mitici sei spedizione gratuita sopra i 25 euro su libreria universitaria

il viaggio di argo i mitici sei formato kindle amazon it - May 03 2023

web il viaggio di argo i mitici sei ebook frasca simone marconi sara amazon it kindle store

[il viaggio di argo i mitici sei sara marconi simone frasca](#) - Mar 01 2023

web acquista online il viaggio di argo i mitici sei di sara marconi simone frasca in formato ebook su mondadori store

[il viaggio di argo giunti](#) - Jan 31 2023

web ma le lezioni sono un po strane e l isola nasconde molti segreti dopo aver scoperto l esistenza della stravagante squadra chimera è impossibile resistere alla tentazione di capire quale sarà la sua prossima missione e quando la nave argo si alzerà in volo all improvviso i mitici saranno catapultati in una grande avventura innevata

il viaggio di argo i mitici sei amazon com au - Jun 23 2022

web il viaggio di argo i mitici sei frasca simone marconi sara amazon com au books

il viaggio di argo i mitici sei kobo com - Dec 30 2022

web leggi il viaggio di argo i mitici sei di simone frasca disponibile su rakuten kobo sei bambini scoprono di avere gli stessi poteri di alcuni personaggi della mitologia di cui sono i bis bis bis bis bis

[il viaggio di argo i mitici sei download only](#) - Aug 26 2022

web breve prospetto della storia universale per servire all'intelligenza del torrente dei tempi opera originale tedesca tradotta ampliata e ridotta a completo compendio di storia sino all'anno 1844 sep 19 2020

[il viaggio di argo i mitici sei ebook libraccio it](#) - Feb 17 2022

web il viaggio di argo i mitici sei frasca simone marconi sara ebook ed giunti junior libraccio it home ebook libri per ragazzi
viaggio di argo i mitici sei il viaggio di argo i mitici sei è un ebook di frasca simone marconi sara pubblicato da giunti junior il file è nel formato epub2 libraccio it

il viaggio di argo i mitici sei amazon it - Sep 07 2023

web sei bambini scoprono di avere gli stessi poteri di alcuni personaggi della mitologia di cui sono i bis bis bis bis bis nipoti devono perciò frequentare la scuola della maga circe sull'isola di eos ma le lezioni sono un po' strane e l'isola nasconde molti segreti

il viaggio di argo i mitici sei apple books - Sep 26 2022

web oct 12 2016 sei bambini scoprono di avere gli stessi poteri di alcuni personaggi della mitologia di cui sono i bis bis bis bis bis nipoti devono perciò frequentare la scuola della maga circe sull'isola di eos ma le lezioni sono un po' strane e l'isola nasconde molti segreti le avventure di sei bambini mit

il viaggio di argo i mitici sei amazon com tr - Oct 08 2023

web il viaggio di argo i mitici sei frasca simone marconi sara amazon com tr kitap

i mitici sei series by simone frasca goodreads - Apr 02 2023

web l'isola di circe il segreto delle sirene il viaggio di argo i mitici sei m come mandragora i mitici sei italian edition il mistero di licaone a

il viaggio di argo i mitici sei ebook barnes noble - Jul 25 2022

web oct 12 2016 sei bambini scoprono di avere gli stessi poteri di alcuni personaggi della mitologia di cui sono i bis bis bis bis bis nipoti devono perciò il viaggio di argo i mitici sei 96 by simone frasca sara marconi view more ebook 5 99

il viaggio di argo i mitici sei 9788809819047 libreria unilibro - May 23 2022

web il viaggio di argo i mitici sei sei bambini scoprono di avere gli stessi poteri di alcuni personaggi della mitologia di cui sono i bis bis bis bis bis nipoti devono perciò frequentare la scuola della maga circe sull'isola di eos ma le lezioni sono un po' strane e l'isola nasconde molti segreti

il viaggio di argo i mitici sei italian edition kindle edition - Oct 28 2022

web oct 12 2016 buy il viaggio di argo i mitici sei italian edition read kindle store reviews amazon com

il viaggio di argo i mitici sei frasca simone marconi sara - Apr 21 2022

web il viaggio di argo i mitici sei è un libro di frasca simone marconi sara edito da giunti editore a settembre 2016 ean

9788809819047 puoi acquistarlo sul sito hoepli it la grande libreria online sei bambini scoprono di avere gli stessi poteri di alcuni personaggi della mitologia di cui sono i bis bis bis bis bis nipoti devono

il viaggio di argo i mitici sei by simone frasca goodreads - Aug 06 2023

web sep 1 2016 il viaggio di argo i mitici sei simone frasca sara marconi 5 00 1 rating0 reviews sei bambini scoprono di avere gli stessi poteri di alcuni personaggi della mitologia di cui sono i bis bis bis bis bis nipoti devono perciò frequentare la scuola della maga circe sull isola di eos

top 50 data warehouse interview questions and answers guru99 - Dec 13 2022

web sep 20 2023 here are data warehouse interview questions and answers for fresher as well experienced candidates to get their dream job 1 what is data warehouse data warehousing dw is the repository of a data and it is used for management decision support system

[data warehouse multiple choice questions and answers](#) - Feb 03 2022

web 55 data warehouse multiple choice questions and answers question 1 what is data warehouse question 2 what is data warehousing question 3 data warehousing concepts and explain home interview questionstop 55 data how to statement is true 100 real time data

data warehousing interview questions online tutorials library - Oct 11 2022

web q define the functions of a load manager a a load manager extracts data from the source system fast load the extracted data into temporary data store perform simple transformations into structure similar to the one in the data warehouse

data warehouse questions answers data warehouse quiz - Feb 15 2023

web 21 the load and index is which of the following a process to reject data from the data warehouse and to create the necessary indexes a process to load the data in the data warehouse and to create the necessary indexes a process to upgrade the quality of data after it is moved into a data warehouse

using effective questions center for teaching innovation - Oct 31 2021

web effective questions are meaningful and understandable to students effective questions challenge students but are not too difficult closed ended questions such as those requiring a yes no response or multiple choice can quickly check comprehension open ended questions probe and elicit expanded thinking and processing of information

[top 24 data warehouse interview questions updated for 2023](#) - Jun 07 2022

web jun 15 2023 establishing defaults for missing data accommodating source data definition changes 7 expand eis in data warehouse technology and brief about it answer executive information systems the tools are used to transform information and present that information to users in a meaningful and usable manner

200 top data warehouse online quiz questions exam test - Sep 29 2021

web 1 which of the following features usually applies to data in a data warehouse a data are often deleted b most applications consist of transactions c data are rarely deleted d relatively few records are processed by applications answer c 2 which of the following statement is true a the data warehouse consists of data marts and operational data

[*data warehouse multiple choice questions mcqs answers*](#) - Jun 19 2023

web free download in pdf data warehouse multiple choice questions mcqs answers these multiple choice questions on computer science are very useful for nielit bca b sc mca m sc b tech m tech be me students an interview for various positions like web developer system analyst etc

[*data warehousing mcqs practice questions and answers for*](#) - Jul 20 2023

web this article contains a collection of multiple choice questions mcqs on the topic of data warehousing the questions cover a range of topics related to the concepts design architecture and implementation of data warehouses

top 55 data warehouse multiple choice questions latest data - Nov 12 2022

web dec 8 2018 top 55 data warehouse multiple choice questions and answers question 1 what is data warehouse question 2 what is data warehousing question 3 data warehousing concepts and explain

400 data mining and data warehouse solved mcqs with pdf - Sep 10 2022

web tags question and answers in data mining and data warehouse data mining and data warehouse multiple choice questions and answers data mining and data warehouse important mcqs solved mcqs for data mining and data warehouse data mining and data warehouse mcqs with answers pdf download

70 data warehouse solved mcqs with pdf download mcqmate - Aug 21 2023

web tags question and answers in data warehouse data warehouse multiple choice questions and answers data warehouse important mcqs solved mcqs for data warehouse data warehouse mcqs with answers pdf download solved mcqs for data warehouse with pdf download and free mock test

[*data warehouse multiple choice questions and answers 2023*](#) - Apr 05 2022

web the features of cia part 3 test bank 2023 are 1 067 multiple choice questions with explanations of all answer choices challenging questions for brain attempt all possible exam formats direct access to author helping you in each stage of preparation ask unlimited questions through whatsapp or email and get answers to them

data warehouse mcqs and answers with explanation - Apr 17 2023

web mar 3 2023 1 what is a data warehouse a a database designed to handle transactions b a database designed to support analytical reporting c a database designed to support operational reporting d a database designed to support transactional processing answer b a database designed to support analytical reporting

data warehouse mcq quiz and online test pdf download - Jul 08 2022

web data warehouse mcq questions and answer pdf download data warehouse multiple choice questions and answer data warehouse quiz data warehouse stores data from multiple sources such as apis databases cloud storage etc by using the extract load transform process in this blog we have to upload important data warehouse mcq

[data warehousing and data mining mcq free pdf objective question](#) - Mar 16 2023

web nov 3 2023 data warehousing and data mining mcq quiz objective question with answer for data warehousing and data mining download free pdf last updated on nov 3 2023 for anyone interested in learning more about data management and analysis data warehousing and data mining mcqs offer a simple yet effective learning route

[40 data warehouse interview questions with sample answers](#) - May 06 2022

web mar 3 2023 here are 10 data warehouse interview questions and example answers for you to study 1 what s the purpose of a data warehouse this question allows the interviewer to see how well you can explain the function of a data warehouse and if you have the basic knowledge that the position requires in your answer provide a basic

40 important data warehouse interview questions unext - Aug 09 2022

web feb 12 2021 the answer is simple a data warehouse dw or dwh also known as an enterprise data warehouse edw is a framework used for documentation and data collection that is a crucial element of business intelligence dws are primary archives of combined data from one or more outlets they consolidate current and past events and

empower power bi users with microsoft fabric and copilot - Dec 01 2021

web nov 15 2023 there are four ways microsoft fabric is redefining the current analytics market fabric is a complete analytics platform by bringing together seven role specific workloads data factory data engineering data warehouse data science real time analytics data activator and power bi in a single unified experience and architecture

data warehousing database mcq questions and answers - May 18 2023

web data warehousing database mcq questions and answers with easy and logical explanations for various competitive examination interview and entrance test database mcq question are important for technical exam and interview

data warehouse questions answers important quiz gkseries - Jan 02 2022

web download data warehouse pdf home computer science download data warehouse mcqs data warehouse download pdf click here rs 49

data warehouse mcq questions answers letsfindcourse - Sep 22 2023

web these multiple choice questions mcqs should be practiced to improve the data warehousing skills required for various interviews campus interviews walk in interviews company interviews placements entrance exams and other competitive examinations

data warehouse mcqs with answer pdf data warehouse - Jan 14 2023

web data warehouse mcqs with answer multiple choice questions 1 is a subject oriented integrated time variant nonvolatile collection of data in support of management decisions a data mining b data warehousing c web mining d text mining answer b 2 the data warehouse is

sql server questions and answers management data warehouse - Mar 04 2022

web this set of sql server multiple choice questions answers mcqs focuses on management data warehouse 1 introduces the management data warehouse mdw to sql server management studio for streamlined performance troubleshooting a sql server 2005 b sql server 2008

200 updated data warehousing mcqs and answers - Oct 23 2023

web data warehousing multiple choice questions and answers pdf for freshers and experienced data warehousing objective type questions and answers 1 which of the following features usually applies to data in a data warehouse a data are often deleted b most applications consist of transactions c data are rarely deleted