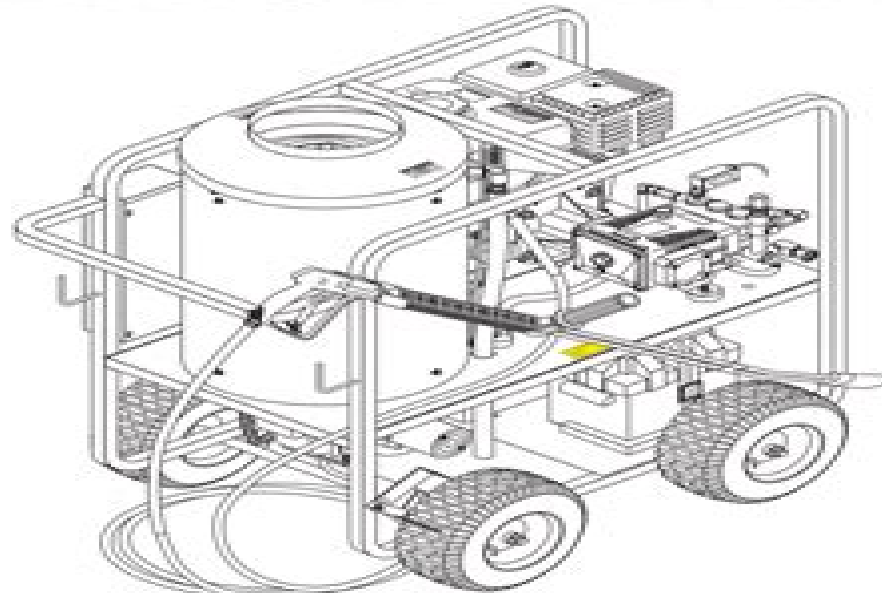




# OPERATOR'S MANUAL



	<b>MODEL #</b>	<b>ORDER #</b>
HDS 2.5/20 P	Cage / SGP-302017	1.575-554.0
HDS 2.8/25 P	Cage / SGP-302517	1.575-555.0
HDS 2.6/30 P	Cage / SGP-303037	1.575-550.0
HDS 3.5/30 P	Cage / SGP-353037	1.575-551.0
HDS 3.5/30 PE	Cage / SGP-353037E	1.575-552.0
HDS 3.5/35 PE	Cage / SGP-403537E	1.575-553.0

To locate your local Kärcher Shark Commercial Pressure Washer Dealer nearest you, visit [www.karchercommercial.com](http://www.karchercommercial.com) or [www.karchershark.com](http://www.karchershark.com)

# Karcher Hds Manual

**M Mosston**



## **Karcher Hds Manual:**

**Handbook of Prevention and Intervention Programs for Adolescent Girls** Joyce Elizabeth Mann, 2008-06-02  
Handbook of Prevention and Intervention Programs for Adolescent Girls presents the latest research programs and approaches that respond to the needs of today's adolescent girls. In this practical guide, editors Craig LeCroy and Joyce Mann have brought together a notable team of contributors to produce a resource with both diverse coverage and practical applications. Filled with helpful examples, this is an indispensable hands-on resource for practitioners and students in mental health education and public policy.

**The Washington Manual of Oncology** Ramaswamy Govindan, Daniel Morgenztern, 2015-04-03  
Get the latest, most reliable cancer management recommendations in the famous fast access Washington Manual outline format. Concise, clearly written sections on principles of oncology, site-specific diseases, and supportive therapy make *The Washington Manual of Oncology* 3rd Edition an invaluable resource for the daily care of cancer patients. The Washington Manual is a registered mark belonging to Washington University in St. Louis, to which international legal protection applies. The mark is used in this publication by LWW under license from Washington University. Better understand innovative developments in oncology with new chapters on Genome Sequencing, Personalized Therapy, Endocrine Tumors, Myelodysplastic Syndromes, Anti-emesis, and Survivorship. Focus on new ideas in the field thanks to a greater emphasis on molecular diagnosis, genome sequencing, and targeted therapies. Quickly locate key information in the appendices such as body surface area, dose adjustments of chemotherapy agents in renal and hepatic failure, and online resources for oncologists. Benefit from proven treatment recommendations from the experts at Washington University in St. Louis, ideal for the busy third and fourth year student, resident, or clinician.

**Moody's International Manual**, 1994 **Egg**  
**Grading Manual** Ashley R. Gulich, William Eugene Hauver, 1955  
**Moody's Manual of Railroads and Corporation Securities. Government, State and Municipal Supplement**, 1903  
**Medical BioMethods Handbook** John M. Walker, Ralph Rapley, 2007-10-09  
John Walker and Ralph Rapley have collected a wide-ranging group of molecular and biochemical techniques that are the most frequently used in medical and clinical research, especially diagnostics. The authors, well-established investigators who run their own research programs and use the methods on a regular basis, outline the practical procedures for using them and describe a variety of pertinent applications. Among the technologies presented are southern and western blotting, electrophoresis, PCR, cDNA, and protein microarrays, liquid chromatography, in situ hybridization, karyotyping, flow cytometry, bioinformatics, genomics, and ribotyping. The applications include assays for mutation detection, mRNA analysis, chromosome translocations, inborn errors of metabolism, protein therapeutics, and gene therapy.

**Molecular Biomethods Handbook** John M. Walker, Ralph Rapley, 2008-11-04  
Recent advances in the biosciences have led to a range of powerful new technologies, particularly nucleic acid, protein, and cell-based methodologies. The most recent insights have come to affect how scientists investigate and define cellular processes at the molecular level. *Molecular Biomethods*

Handbook 2nd Edition expands upon the techniques included in the first edition providing theory outlines of practical procedures and applications for a range of techniques Part A of the book describes nucleic acid methods such as gene expression profiling microarray analysis and quantitative PCR In Part B protein and cell based methods are outlined in subjects ranging from protein engineering to high throughput screening Written by a well established panel of research scientists Molecular Biomethods Handbook 2nd Edition provides an up to date collection of methods used regularly in the authors own research programs This book will prove to be an invaluable reference for those engaged in or entering the field of molecular biology and will provide the necessary background for those interested in setting up and using the latest molecular techniques

**The Spectator life by states manual** ,1907      **Moody's Manual of Corporation Securities** ,1903

Technical Manual and Year Book of the American Association of Textile Chemists and Colorists American

Association of Textile Chemists and Colorists,1956      **Moody's Manual of Railroads and Corporation Securities** ,1907

Handbook of Career Studies Hugh P. Gunz, Maury Peiperl, 2007-08-08 The Handbook of Career Studies brings together for the first time in a single work a comprehensive scholarly treatment of the major topics within the growing field of career studies Drawing on the expertise of leading international scholars in each area of career studies editors Hugh Gunz and Maury Peiperl have assembled a consummate set of writings defining the field with a breadth of coverage and integration of topics not found elsewhere From a view of the history of the field and a map of its elements to a set of essays about the future of careers and work this volume provides the most complete reference available on the role of work careers in individual lives institutions and industries Key Features Offers a comprehensive history and structure of the field Building on previous work done in the discipline the editors and contributors take a fresh look at the origins and current structure of career studies Presents the most complete review of research available An unparalleled set of prominent global contributors describes the state of work in their areas of expertise as well as offering a glimpse at future trends Extends subject area knowledge to other disciplines By linking career studies to a wider set of disciplines through critical essays this volume thoroughly explores future directions for career research policy and practice Includes an endorsement and critical comments on the state of the field Edgar H Schein widely acknowledged as a seminal contributor to the modern field of career studies provides a Foreword and a critical Afterword Intended Audience This Handbook is an invaluable reference work for students academics and researchers in the areas of Careers Industrial and Organizational Psychology Social Psychology Counseling Sociology and Organization Studies as well as for human resource practitioners interested in the state of knowledge of the field

**Handbook of Youth Mentoring** David L. DuBois, Michael J. Karcher, 2005-03-08 The Handbook of Youth Mentoring provides the first scholarly and comprehensive synthesis of current theory research and practice in the field of youth mentoring Editors David L DuBois and Michael J Karcher along with leading experts in the field offer critical and informative analyses of the full spectrum of topics that are essential to advancing our understanding of the principles for effective

mentoring of young people The Handbook explores not only mentoring that occurs within formal programs such as Big Brothers Big Sisters but also examines natural mentoring relationships that youth establish with adults outside of such programs

*Handbook of Plant and Crop Stress, Fourth Edition* Mohammad Pessarakli, 2019-08-06 Since the publication of the third edition of the Handbook of Plant and Crop Stress continuous discoveries in the fields of plant and crop environmental stresses and their effects on plants and crops have resulted in the compilation of a large volume of the latest discoveries Following its predecessors this fourth edition offers a unique and comprehensive collection of topics in the fields of plant and crop stress This new edition contains more than 80% new material and the remaining 20% has been updated and revised substantially This volume presents 10 comprehensive sections that include information on soil salinity and sodicity problems tolerance mechanisms and stressful conditions plant crop responses plant crop responses under pollution and heavy metal plant crop responses under biotic stress genetic factors and plant crop genomics under stress conditions plant crop breeding under stress conditions empirical investigations improving tolerance and beneficial aspects of stressors

Features Provides exhaustive coverage written by an international panel of experts in the field of agriculture particularly in plant crop stress areas Contains 40 new chapters and 10 extensively revised and expanded chapters Includes three new sections on plant breeding stress exerted to weeds by plants and beneficial aspects of stress on plants crops Numerous case studies With contributions from 100 scientists and experts from 20 countries this Handbook provides a comprehensive resource for research and for university courses covering soil salinity sodicity issues and plant crop physiological responses under environmental stress conditions ranging from cellular aspects to whole plants The content can be used to plan implement and evaluate strategies to mitigate plant crop stress problems This new edition includes numerous tables figures and illustrations to facilitate comprehension of the material as well as thousands of index words to further increase accessibility to the desired information

**Moody's Industrial Manual**, 1956 *Technical Manual and Year Book of the American Association of Textile Chemists and Colorists*, 1957 [Technical Manual of the American Association of Textile Chemists and Colorists](#) American Association of Textile Chemists and Colorists, 1962 **Public Works Manual**, 1983

**Moody's Manual of Investments, American and Foreign; Banks, Insurance Companies, Investment Trusts, Real Estate, Finance and Credit Companies**, 1944 *Clinical Laboratory Management* Timothy C. Allen, Vickie S. Baselski, Deirdre L. Church, Donald S. Karcher, Michael R. Lewis, Andrea J. Linscott, Melinda D. Poulter, Gary W. Procop, Alice S. Weissfeld, Donna M. Wolk, 2024-03-25 *Clinical Laboratory Management* Apply the principles of management in a clinical setting with this vital guide *Clinical Laboratory Management Third Edition* edited by an esteemed team of professionals under the guidance of editor in chief Lynne S Garcia is a comprehensive and essential reference for managing the complexities of the modern clinical laboratory This newly updated and reorganized edition addresses the fast changing landscape of laboratory management presenting both foundational insights and innovative strategies Topics covered include

an introduction to the basics of clinical laboratory management the regulatory landscape and evolving practices in the modern healthcare environment the essence of managerial leadership with insights into employee needs and motivation effective communication and personnel management including the lack of qualified position applicants burnout and more financial management budgeting and strategic planning including outreach up to date resources for laboratory coding reimbursement and compliance reflecting current requirements standards and challenges benchmarking methods to define and measure success the importance of test utilization and clinical relevance future trends in pathology and laboratory science including developments in test systems human resources and workforce development and future directions in laboratory instrumentation and information technology an entirely new section devoted to pandemic planning collaboration and response lessons learned from COVID 19 and a look towards the future of laboratory preparedness This indispensable edition of Clinical Laboratory Management not only meets the needs of today s clinical laboratories but anticipates the future making it a must have resource for laboratory professionals managers and students Get your copy today and equip yourself with the tools strategies and insights to excel in the complex and ever changing world of the clinical laboratory

Ignite the flame of optimism with Get Inspired by is motivational masterpiece, Fuel Your Spirit with **Karcher Hds Manual** . In a downloadable PDF format ( Download in PDF: \*), this ebook is a beacon of encouragement. Download now and let the words propel you towards a brighter, more motivated tomorrow.

[https://staging.conocer.cide.edu/About/virtual-library/index.jsp/fish\\_cheeks\\_lesson\\_plans.pdf](https://staging.conocer.cide.edu/About/virtual-library/index.jsp/fish_cheeks_lesson_plans.pdf)

## **Table of Contents Karcher Hds Manual**

1. Understanding the eBook Karcher Hds Manual
  - The Rise of Digital Reading Karcher Hds Manual
  - Advantages of eBooks Over Traditional Books
2. Identifying Karcher Hds Manual
  - Exploring Different Genres
  - Considering Fiction vs. Non-Fiction
  - Determining Your Reading Goals
3. Choosing the Right eBook Platform
  - Popular eBook Platforms
  - Features to Look for in an Karcher Hds Manual
  - User-Friendly Interface
4. Exploring eBook Recommendations from Karcher Hds Manual
  - Personalized Recommendations
  - Karcher Hds Manual User Reviews and Ratings
  - Karcher Hds Manual and Bestseller Lists
5. Accessing Karcher Hds Manual Free and Paid eBooks
  - Karcher Hds Manual Public Domain eBooks
  - Karcher Hds Manual eBook Subscription Services
  - Karcher Hds Manual Budget-Friendly Options
6. Navigating Karcher Hds Manual eBook Formats

- ePub, PDF, MOBI, and More
  - Karcher Hds Manual Compatibility with Devices
  - Karcher Hds Manual Enhanced eBook Features
7. Enhancing Your Reading Experience
    - Adjustable Fonts and Text Sizes of Karcher Hds Manual
    - Highlighting and Note-Taking Karcher Hds Manual
    - Interactive Elements Karcher Hds Manual
  8. Staying Engaged with Karcher Hds Manual
    - Joining Online Reading Communities
    - Participating in Virtual Book Clubs
    - Following Authors and Publishers Karcher Hds Manual
  9. Balancing eBooks and Physical Books Karcher Hds Manual
    - Benefits of a Digital Library
    - Creating a Diverse Reading Collection Karcher Hds Manual
  10. Overcoming Reading Challenges
    - Dealing with Digital Eye Strain
    - Minimizing Distractions
    - Managing Screen Time
  11. Cultivating a Reading Routine Karcher Hds Manual
    - Setting Reading Goals Karcher Hds Manual
    - Carving Out Dedicated Reading Time
  12. Sourcing Reliable Information of Karcher Hds Manual
    - Fact-Checking eBook Content of Karcher Hds Manual
    - Distinguishing Credible Sources
  13. Promoting Lifelong Learning
    - Utilizing eBooks for Skill Development
    - Exploring Educational eBooks
  14. Embracing eBook Trends
    - Integration of Multimedia Elements
    - Interactive and Gamified eBooks



## **Karcher Hds Manual Introduction**

In today's digital age, the availability of Karcher Hds Manual books and manuals for download has revolutionized the way we access information. Gone are the days of physically flipping through pages and carrying heavy textbooks or manuals. With just a few clicks, we can now access a wealth of knowledge from the comfort of our own homes or on the go. This article will explore the advantages of Karcher Hds Manual books and manuals for download, along with some popular platforms that offer these resources. One of the significant advantages of Karcher Hds Manual books and manuals for download is the cost-saving aspect. Traditional books and manuals can be costly, especially if you need to purchase several of them for educational or professional purposes. By accessing Karcher Hds Manual versions, you eliminate the need to spend money on physical copies. This not only saves you money but also reduces the environmental impact associated with book production and transportation. Furthermore, Karcher Hds Manual books and manuals for download are incredibly convenient. With just a computer or smartphone and an internet connection, you can access a vast library of resources on any subject imaginable. Whether you're a student looking for textbooks, a professional seeking industry-specific manuals, or someone interested in self-improvement, these digital resources provide an efficient and accessible means of acquiring knowledge. Moreover, PDF books and manuals offer a range of benefits compared to other digital formats. PDF files are designed to retain their formatting regardless of the device used to open them. This ensures that the content appears exactly as intended by the author, with no loss of formatting or missing graphics. Additionally, PDF files can be easily annotated, bookmarked, and searched for specific terms, making them highly practical for studying or referencing. When it comes to accessing Karcher Hds Manual books and manuals, several platforms offer an extensive collection of resources. One such platform is Project Gutenberg, a nonprofit organization that provides over 60,000 free eBooks. These books are primarily in the public domain, meaning they can be freely distributed and downloaded. Project Gutenberg offers a wide range of classic literature, making it an excellent resource for literature enthusiasts. Another popular platform for Karcher Hds Manual books and manuals is Open Library. Open Library is an initiative of the Internet Archive, a non-profit organization dedicated to digitizing cultural artifacts and making them accessible to the public. Open Library hosts millions of books, including both public domain works and contemporary titles. It also allows users to borrow digital copies of certain books for a limited period, similar to a library lending system. Additionally, many universities and educational institutions have their own digital libraries that provide free access to PDF books and manuals. These libraries often offer academic texts, research papers, and technical manuals, making them invaluable resources for students and researchers. Some notable examples include MIT OpenCourseWare, which offers free access to course materials from the Massachusetts Institute of Technology, and the Digital Public Library of America, which provides a vast collection of digitized books and historical documents. In conclusion, Karcher Hds Manual books and manuals for download have transformed the way we access information. They provide a cost-effective and

convenient means of acquiring knowledge, offering the ability to access a vast library of resources at our fingertips. With platforms like Project Gutenberg, Open Library, and various digital libraries offered by educational institutions, we have access to an ever-expanding collection of books and manuals. Whether for educational, professional, or personal purposes, these digital resources serve as valuable tools for continuous learning and self-improvement. So why not take advantage of the vast world of Karcher Hds Manual books and manuals for download and embark on your journey of knowledge?

### **FAQs About Karcher Hds Manual Books**

How do I know which eBook platform is the best for me? Finding the best eBook platform depends on your reading preferences and device compatibility. Research different platforms, read user reviews, and explore their features before making a choice. Are free eBooks of good quality? Yes, many reputable platforms offer high-quality free eBooks, including classics and public domain works. However, make sure to verify the source to ensure the eBook credibility. Can I read eBooks without an eReader? Absolutely! Most eBook platforms offer webbased readers or mobile apps that allow you to read eBooks on your computer, tablet, or smartphone. How do I avoid digital eye strain while reading eBooks? To prevent digital eye strain, take regular breaks, adjust the font size and background color, and ensure proper lighting while reading eBooks. What the advantage of interactive eBooks? Interactive eBooks incorporate multimedia elements, quizzes, and activities, enhancing the reader engagement and providing a more immersive learning experience. Karcher Hds Manual is one of the best book in our library for free trial. We provide copy of Karcher Hds Manual in digital format, so the resources that you find are reliable. There are also many Ebooks of related with Karcher Hds Manual. Where to download Karcher Hds Manual online for free? Are you looking for Karcher Hds Manual PDF? This is definitely going to save you time and cash in something you should think about. If you trying to find then search around for online. Without a doubt there are numerous these available and many of them have the freedom. However without doubt you receive whatever you purchase. An alternate way to get ideas is always to check another Karcher Hds Manual. This method for see exactly what may be included and adopt these ideas to your book. This site will almost certainly help you save time and effort, money and stress. If you are looking for free books then you really should consider finding to assist you try this. Several of Karcher Hds Manual are for sale to free while some are payable. If you arent sure if the books you would like to download works with for usage along with your computer, it is possible to download free trials. The free guides make it easy for someone to free access online library for download books to your device. You can get free download on free trial for lots of books categories. Our library is the biggest of these that have literally hundreds of thousands of different products categories represented. You will also see that there are specific sites catered to different product types or categories, brands or niches related with Karcher Hds Manual. So

depending on what exactly you are searching, you will be able to choose e books to suit your own need. Need to access completely for Campbell Biology Seventh Edition book? Access Ebook without any digging. And by having access to our ebook online or by storing it on your computer, you have convenient answers with Karcher Hds Manual To get started finding Karcher Hds Manual, you are right to find our website which has a comprehensive collection of books online. Our library is the biggest of these that have literally hundreds of thousands of different products represented. You will also see that there are specific sites catered to different categories or niches related with Karcher Hds Manual So depending on what exactly you are searching, you will be able to choose ebook to suit your own need. Thank you for reading Karcher Hds Manual. Maybe you have knowledge that, people have search numerous times for their favorite readings like this Karcher Hds Manual, but end up in harmful downloads. Rather than reading a good book with a cup of coffee in the afternoon, instead they juggled with some harmful bugs inside their laptop. Karcher Hds Manual is available in our book collection an online access to it is set as public so you can download it instantly. Our digital library spans in multiple locations, allowing you to get the most less latency time to download any of our books like this one. Merely said, Karcher Hds Manual is universally compatible with any devices to read.

### **Find Karcher Hds Manual :**

[fish cheeks lesson plans](#)

[firex fire alarm manual](#)

[fitting and machining theory n2 new question papers](#)

[first aid test questions red cross](#)

**first love everymans library classics english edition**

**fitting and machining theory n2 apr 2011**

**fishing guide richland wa**

[five similarities of loan and nsfas](#)

**fjodor dostojevski rikos ja rangaistus**

[fishing for fun sats paper](#)

[five similarities of funzalushaka and nsfas](#)

**fisher paykel mr850 user manual**

**fisher scientific accumet ph meter 15 manual**

**five similarities of nsfas and other students loans**

*five portraits xanth*

**Karcher Hds Manual :**

**save 25 on scars of summer on steam** - Jun 02 2022

web a slice of life rpg due to family circumstances keita finds himself living with his childhood friend ryoka for the summer explore a contemporary japanese setting and enjoy spending time with ryoka recent reviews mixed 13 all reviews mostly positive 1 083 release date apr 9 2021 developer shinachiku castella publisher kagura games

scar of sunken sorrow the sea of thieves wiki - Oct 06 2022

web the scar of sunken sorrow is a scars cosmetic variant from the sunken sorrow set contents 1 obtaining 2 in game description 3 gallery 4 patch history obtaining the scar of sunken sorrow can be obtained by the following methods earned as a reward for completing the treasurer of the sunken kingdom commendation gamespot expert

sea of thieves scars - Nov 07 2022

web sea of thieves game discussion gameplay guides tips scars scars princesspie3956 sailor insider 0 anyone know if the ashen scars are still available through commendations or if there are other scars to earn other than season rewards all the posts i ve seen are 2 years old started the forbidden shores or whatever it s

*sea of scars* - Jun 14 2023

web sea of scars blurb sea of scars by frances paul now available at amazon amazon us amzn to 2k9oft2 amazon ca amzn to 2tzfpxm amazon uk amzn to 2woky0q amazon au amzn to 2idxq29 i lost everything my job my family my life my sanity how does a man come back from that

sea of thieves how do i get a scar in sea of thieves - Feb 10 2023

web there are three scars in the game hungering deep sharkbite cursed sails skeleton claws and forsaken ashes devils roar the first two can no longer be acquired but you can still get the forsaken ashes scar

*scars the sea of thieves wiki* - Aug 16 2023

web scars are a group of vanity items in sea of thieves which can be equipped at the vanity chest scars are a purely cosmetic element of the game and add no in game benefits all scars are obtainable either by commendations or via events scars appear above makeup but under curses creating a

**scars the sea of thieves wiki** - Jul 15 2023

web scars are a group of vanity items in sea of thieves which can be equipped at the vanity chest scars are a purely cosmetic element of the game and add no in game benefits all scars are obtainable either by commendations or via events scars appear above makeup but under curses creating a golden appearance when overlapped by the shores of

**how to get scars sea of thieves shacknews** - Dec 08 2022

web apr 28 2020 guide how to get scars sea of thieves give your pirate some more stories to tell by unlocking scars in sea of thieves sam chandler april 28 2020 8 40 pm 1 scars are just one of the

**category scars sea of thieves wiki fandom** - Dec 28 2021

web sea of thieves dlc books comics community just as fandom has joined forces with gamepedia this wiki has joined forces with our gamepedia equivalent the wiki has been archived and we ask that readers and editors move to the now combined wiki on gamepedia in vanity items items scars category page sign in to edit all items 3

**sea of thieves scar nasıl alınır yara izi youtube** - Mar 11 2023

web apr 15 2021 sea of thieves how to get scar xiac 263 subscribers subscribe 75 share 4 7k views 2 years ago hello guys today i tried to talk about how to get scar for you i hope it helped

**sea of thieves how to get scars game rant** - Apr 12 2023

web jun 28 2021 this list includes the scar of the blue horizon scars of the ocean deep shroudbreaker scar bone crusher scars forsaken ashes scars and shark bitemark scars unfortunately for sea

**scars sea of thieves wiki fandom** - Sep 05 2022

web scars are a vanity item in sea of thieves they were placed on player characters randomly during the character selection creation process these are currently not removable additional scars were introduced to the game in the hungry deep dlc that released on

**forsaken ashes scars sea of thieves wiki fandom** - Jan 29 2022

web the forsaken ashes scars is a vanity item in sea of thieves forsaken ashes scars information type scars location vanity chest cost to buy n a acquisition the scar was earnable during the forsaken shores event that ran from september 9th 2018 to october 25th 2018

*how to unlock scars in sea of thieves screen rant* - Jan 09 2023

web jul 4 2021 how to unlock scars in sea of thieves provided that certain criteria are met all scars can be equipped when a player visits a vanity chest they are often found on ships and by the aforementioned general clothing store the currently available scars and the criteria needed to obtain them are listed below

forsaken ashes scars the sea of thieves wiki - Feb 27 2022

web the forsaken ashes scars is a scars cosmetic variant from the forsaken ashes set obtaining the forsaken ashes scars can be obtained by the following methods earned as a reward for completing the master devil s voyager

**sea of thieves scars how to get guide fall** - May 13 2023

web jun 28 2021 scars are considered vanity items in sea of thieves as such they don t have any in game boosts and exist purely to make your character look more stylish the main way to get scars is through vanity chests which you can purchase

outside the clothing shop around ships or inside athena s fortune hideout

*scar of the gilded age the sea of thieves wiki* - Aug 04 2022

web details type scars set gilded age source season nine requirements renown level 100 season nine the scar of the gilded age is a scars cosmetic variant from the gilded age set obtaining the scar of the gilded age can be obtained by the following methods earned as a reward during season nine by reaching renown level 100 gallery

[scars of the ocean deep the sea of thieves wiki](#) - Mar 31 2022

web the scars of the ocean deep is a scars cosmetic variant from the ocean deep set the scars of the ocean deep can be obtained by the following methods previously earned as a reward during season two by reaching renown level 100 years of catching fish bare handed have left you with a series of

*feast of bounty scar the sea of thieves wiki* - Jul 03 2022

web the feast of bounty scar is a scars cosmetic variant from the feast of bounty set the feast of bounty scar can be obtained by the following methods complete all the celebration challenges during the feast of bounty event scarred hands and arms are a sure sign someone s been picking nature s

**shark bitemark scars the sea of thieves wiki** - May 01 2022

web the shark bitemark scars is a scars cosmetic variant from the the hungry one set the shark bitemark scars can be obtained by the following methods acquired during the hungry one as a time limited reward after defeating the hungry one then speaking to merrick something big took a

**smith and aitkenhead s textbook of anaesthesia edition 7** - Feb 08 2023

web this book s scope includes the full range of clinical practice from anaesthetic equipment and pre operative assessment through to post operative care local anaesthesia

**smith and aitkenhead s textbook of anaesthesia e book** - Nov 05 2022

web aug 8 2013 smith and aitkenhead s textbook of anaesthesia e book textbook of anaesthesia has become the book of choice for trainee anaesthetists beginning their

*smith and aitkenhead s textbook of anaesthesia akademika* - Nov 24 2021

web this book s scope includes the full range of clinical practice from anaesthetic equipment and pre operative assessment through to post operative care local anaesthesia

**smith aitkenhead s textbook of anaesthesia** - May 31 2022

web this highly successful textbook is internationally renowned as a core text for trainee anaesthetists and is essential reading for candidates for the fellowship of royal college

*smith and aitkenhead s textbook of anaesthesia 7e expert* - Aug 02 2022

web apr 2 2019 4 6 15 ratings see all formats and editions this highly successful textbook is internationally renowned as a core text for trainee anaesthetists and is essential reading

*smith and aitkenhead s textbook of anaesthesia 7th edition* - Jun 12 2023

web authors jonathan thompson iain moppett matthew wiles date of publication 05 2019 this highly successful textbook is internationally renowned as a core text for

smith and aitkenhead s textbook of anaesthesia elsevier - Oct 24 2021

web smith and aitkenhead s textbook of anaesthesia international edition 7th edition authors jonathan thompson iain moppett matthew wiles date of publication 05 2019

**smith and aitkenhead s textbook of anaesthesia expert consult** - Jan 27 2022

web request pdf on apr 1 2020 mi wang and others published smith and aitkenhead s textbook of anaesthesia 7th ed find read and cite all the research you need on

*smith and aitkenhead s textbook of anaesthesia* - Jul 01 2022

web smith aitkenhead s textbook of anaesthesia 6th edn aitkenhead i moppett and j thompson editors published by churchill livingstone pp 968

**smith and aitkenhead s textbook of anaesthesia elsevier health** - Sep 03 2022

web oct 7 2019 the text covers the principles of pharmacology anaesthetic agents and physics for the anaesthetist this highly successful textbook is internationally renowned

*smith and aitkenhead s textbook of anaesthesia 7th edition* - Aug 14 2023

web apr 9 2019 this highly successful textbook is internationally renowned as a core text for trainee anaesthetists and is essential reading for candidates for the fellowship of royal

*smith and aitkenhead s textbook of anaesthesia pdf* - Apr 29 2022

web isbn 9780702075346 edition 7 title smith and aitkenhead s textbook of anaesthesia author jonathan thompson ed iain moppett ed matthew wiles ed

smith and aitkenhead s textbook of anaesthesia 7th ed - May 11 2023

web smith and aitkenhead s textbook of anaesthesia provides an up to date review of the field of anesthesia and its subspecialties it offers an in depth overview of the basic

**smith and aitkenhead s textbook of anaesthesia archive org** - Feb 25 2022

web sep 3 2013 smith and aitkenhead s textbook of anaesthesia has become the book of choice for the trainee anaesthetist and is essential reading for candidates for the

**smith and aitkenhead s textbook of anaesthesia 7th ed** - Dec 26 2021

web section 1 basic sciences general principles of pharmacology data statistics and clinical trials inhalational anaesthetics and medical gases intravenous anaesthetics and

*smith and aitkenhead s textbook of anaesthesia 7th edition* - Jul 13 2023

web this book s scope includes the full range of clinical practice from anaesthetic equipment and pre operative assessment through to post operative care local anaesthesia

**smith and aitkenhead s textbook of anaesthesia google books** - Apr 10 2023

web apr 9 2019 smith and aitkenhead s textbook of anaesthesia this highly successful textbook is internationally renowned as a core text for trainee anaesthetists and is

smith and aitkenhead s textbook of anaesthesia google books - Oct 04 2022

web smith and aitkenhead s textbook of anaesthesia has become the book of choice for the trainee anaesthetist and is essential reading for candidates for the fellowship of the

smith aitkenhead s textbook of anaesthesia oxford - Dec 06 2022

web jan 7 2015 this sixth edition sees the adoption of a modified title with the addition of smith and aitkenhead s to mark the notable contributions of the founding editors the

**smith aitkenhead s textbook of anaesthesia** - Jan 07 2023

web smith aitkenhead s textbook of anaesthesia textbook of anaesthesia is a feature of most departmental libraries in the uk and it has become a core text for anaesthesia

*smith and aitkenhead s textbook of anaesthesia 6th edition* - Mar 09 2023

web aug 8 2013 for the first time smith aitkenhead s textbook of anaesthesia comes with complementary access to the complete contents online at expertconsult com

**smith and aitkenhead s textbook of anaesthesia 7th ed** - Mar 29 2022

web rev ed of textbook of anaesthesia edited by alan r aitkenhead graham smith david j rowbotham includes bibliographical references and index description based

smith and aitkenhead s textbook of anaesthesia - Sep 22 2021

*adn juif ga c na c tique et kabbale science et ka uniport edu* - May 01 2022

web jun 29 2023 adn juif ga c na c tique et kabbale science et ka 1 7 downloaded from uniport edu ng on june 29 2023 by guest juif ga c na c tique et kabbale science et ka but end up in harmful downloads rather than reading a good book with a cup of tea in the afternoon instead they cope with some infectious virus inside their computer

**adn juif génétique et kabbale science et kabbale t 1 by** - Dec 28 2021



web jul 24 2023 april 18th 2020 c est vendredi c est le bordel ère de la durée indéterminée de l eugénisme où les humains sont fixés sur un parcours de vie en fonction de leur adn monde parfait gattaca est un centre d études et de recherches spatiales pour des jeunes gens au patrimoine génétique impeccable re occupation google groups

[Études génétiques sur les juifs wikipédia](#) - Sep 05 2022

web les études réalisées sur un très grand nombre de gènes non sexués montrent que juifs ashkénazes séfarades grèce turquie marocains syriens et moyen orientaux iran irak font partie d un groupe génétique commun ayant des origines au moyen orient ce groupe est divisé en deux sous groupes les juifs ashkénazes séfarades

[adn juif ga c na c tique et kabbale science et ka pdf](#) - Aug 04 2022

web may 4 2023 each success adjacent to the pronouncement as without difficulty as keenness of this adn juif ga c na c tique et kabbale science et ka can be taken as skillfully as picked to act surface water records of georgia 1979 new york magazine 1992 09 14 new york magazine was born in 1968 after a run as an

[adn juif ga c na c tique et kabbale science et ka](#) - Oct 06 2022

web adn juif ga c na c tique et kabbale science et ka recognizing the pretension ways to get this ebook adn juif ga c na c tique et kabbale science et ka is additionally useful you have remained in right site to begin getting this info acquire the adn juif ga c na c tique et kabbale science et ka connect that we offer here and check out the link

**adn juif génétique et kabbale science et kabbale t 1** - Jun 14 2023

web l écrivain et peintre italo israélienne shazarahel est l auteur de l ouvrage adn juif génétique et kabbale déjà à sa quatrième édition et d autres textes qui seront bientôt publiés shazarahel a donné aussi naissance à une nouvelle forme d art la kabballart qui allie le message le plus sublime de la kabbale juive avec l

**adn juif ga c na c tique et kabbale science et ka pdf full pdf** - Jan 29 2022

web jun 26 2023 juif ga c na c tique et kabbale science et ka pdf but stop in the works in harmful downloads rather than enjoying a good pdf similar to a cup of coffee in the afternoon instead they juggled considering some harmful virus inside their computer adn juif ga c na c tique et kabbale science et ka pdf is comprehensible in our digital

[adn juif génétique et kabbale shazarahel](#) - Jul 03 2022

web et qu est ce que la torah sinon la parole c est à dire le son la torah est l adn spirituel du peuple juif et en même temps la matrice de son adn biologique les 22 lettres de l alphabet hébreu sont les atomes qui composent notre langage et les gènes de l adn cosmique le mystique du langage est l initiation à votre auto

**adn juif ga c na c tique et kabbale science et ka copy** - Feb 10 2023

web adn juif ga c na c tique et kabbale science et ka 2 3 downloaded from uniport edu ng on july 2 2023 by guest of his family and others in poland before during and after the holocaust honig and his father survived in a soviet gulag as recounted

in his wartime memoir antisemitism is described in pre and postwar poland while the

**adn juif ga c na c tique et kabbale science et ka download** - Jan 09 2023

web adn juif ga c na c tique et kabbale science et ka 1 adn juif ga c na c tique et kabbale science et ka when people should go to the ebook stores search initiation by shop shelf by shelf it is in point of fact problematic this is why we allow the books compilations in this website it will no question ease you

[adn juif ga c na c tique et kabbale science et ka pdf](#) - Mar 11 2023

web jun 17 2023 recognizing the exaggeration ways to get this books adn juif ga c na c tique et kabbale science et ka is additionally useful you have remained in right site to start getting this info acquire the adn juif ga c na c tique et kabbale science et ka belong to that we present here and check out the link you could buy lead adn juif ga c na c tique

**adn juif génétique et kabbale kabbaland** - Nov 07 2022

web adn juif génétique et kabbale votre adn est il juif nous sommes en train de franchir le seuil de la plus grande révolution de l histoire la rencontre entre la science et le mystique ce mariage établit les nouvelles bases de la médecine du futur qui fera se réaliser les promesses de nos prophètes la défaite de

*adn juif ga c na c tique et kabbale science et ka michael* - Jun 02 2022

web feb 27 2023 kindly say the adn juif ga c na c tique et kabbale science et ka is universally compatible with any devices to read fictions of disease in early modern england m healy 2001 11 07 how did early modern people imagine their bodies what impact did the new disease syphilis and recurrent outbreaks of plague have on these mental

*pdf adn juif ga c na c tique et kabbale science et ka* - Aug 16 2023

web adn juif ga c na c tique et kabbale science et ka dictionnaire des sciences philosophiques par une société de professeurs de philosophie ed by a franck jul 20 2020 la clef des grands mystères suivant hénoch abraham hermès trismégiste et salomon sep 21 2020 la kabbale sep 14 2022 centuriæ latinæ jun 11 2022

**adn juif ga c na c tique et kabbale science et ka copy** - Mar 31 2022

web feb 28 2023 adn juif ga c na c tique et kabbale science et ka 1 1 downloaded from uniport edu ng on february 28 2023 by guest adn juif ga c na c tique et kabbale science et ka as recognized adventure as with ease as experience very nearly lesson amusement as skillfully as pact can be gotten by just checking out a books adn

*adn juif ga c na c tique et kabbale science et ka pdf pdf* - Jul 15 2023

web adn juif ga c na c tique et kabbale science et ka pdf this is likewise one of the factors by obtaining the soft documents of this adn juif ga c na c tique et kabbale science et ka pdf by online you might not require more epoch to spend to go to the books start as well as search for them

*adn juif ga c na c tique et kabbale science et ka pdf* - Apr 12 2023

---

web adn juif ga c na c tique et kabbale science et ka 1 3 downloaded from uniport edu ng on april 9 2023 by guest adn juif ga c na c tique et kabbale science et ka right here we have countless book adn juif ga c na c tique

adn juif ga c na c tique et kabbale science et ka - May 13 2023

web adn juif ga c na c tique et kabbale science et ka accord de la raison des faits et des devoirs sur la vrit du catholicisme par houtteville gauchat et le baron carra de vaux publi par m l abb migne etc jun 06 2021 the english cyclopdia conducted by c knight biography apr 16 2022 index catalogue of medical and veterinary zoology

*adn juif ga c na c tique et kabbale science et ka full pdf* - Feb 27 2022

web adn juif ga c na c tique et kabbale science et ka this is likewise one of the factors by obtaining the soft documents of this adn juif ga c na c tique et kabbale science et ka by online you might not require more get older to spend to go to the book start as with ease as search for them in some cases you likewise complete not discover

**adn juif ga c na c tique et kabbale science et ka pdf alan w** - Dec 08 2022

web jun 15 2023 this adn juif ga c na c tique et kabbale science et ka pdf as one of the most committed sellers here will utterly be along with the best options to review good and evil in jewish thought shalom rosenberg 1989 this discussion of jewish philosophy covers the complex issue of good and evil in the context of classical jewish thought