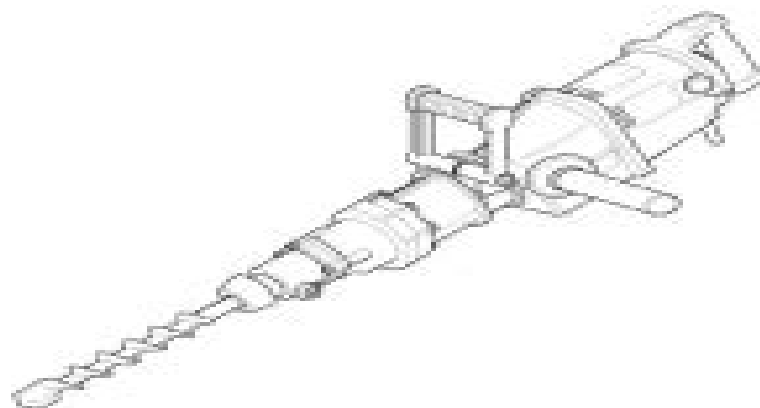




GB

**Service and
Repair Manual**



900

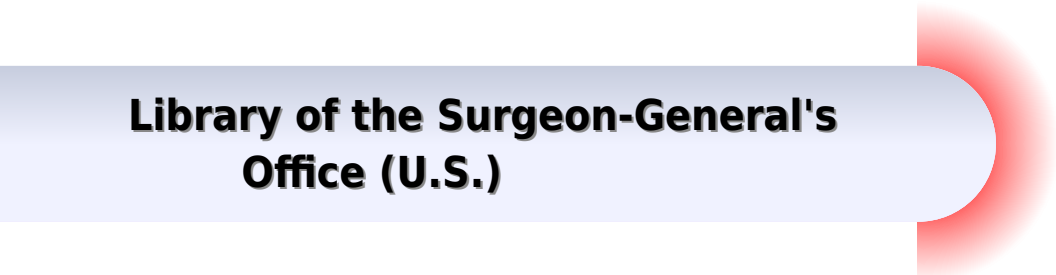
950

990

Опубликовано на сайте www.gem-5.ru

Kango 900 Service Manual

**Library of the Surgeon-General's
Office (U.S.)**



Kango 900 Service Manual:

Telephony ,1986-03 **Railway Track and Structures** ,1989 **Power Farming in Australia and New Zealand**
Technical Manual ,1982 **National Library of Medicine Current Catalog** National Library of Medicine (U.S.),1965
Current Catalog National Library of Medicine (U.S.),1993 First multi year cumulation covers six years 1965 70
Index-catalogue of the Library ... Library of the Surgeon-General's Office (U.S.),1961 Index-catalogue of the
Library of the Surgeon General's Office, National Library of Medicine National Library of Medicine (U.S.),1961 Collection of
incunabula and early medical prints in the library of the Surgeon general s office U S Army Ser 3 v 10 p 1415 1436
Index-catalogue of the Library of the Surgeon General's Office, United States Army (Army Medical Library)
National Library of Medicine (U.S.),1959 **Index-catalogue of the Library of the Surgeon-General's Office, United**
States Army National Library of Medicine (U.S.),1961 **Index-catalogue of the Library of the Surgeon General's**
Office, National Library of Medicine: Subjects N-Z National Library of Medicine (U.S.),1961 **Ontario Labour**
Relations Board Reports Ontario Labour Relations Board,2001 **Moody's International Manual** ,2000 Mergent
International Manual ,2003 Flight and Aircraft Engineer ,1956 *Library of Congress Catalog* Library of
Congress,1980-07 Subject Catalog Library of Congress,1980-07 **Library of Congress Catalogs** Library of
Congress,1980 *Medical and Health Care Books and Serials in Print* ,1986 *Autocar* ,2000 **Contractors and**
Engineers ,1960

The Enigmatic Realm of **Kango 900 Service Manual**: Unleashing the Language is Inner Magic

In a fast-paced digital era where connections and knowledge intertwine, the enigmatic realm of language reveals its inherent magic. Its capacity to stir emotions, ignite contemplation, and catalyze profound transformations is nothing in short supply of extraordinary. Within the captivating pages of **Kango 900 Service Manual** a literary masterpiece penned by way of a renowned author, readers set about a transformative journey, unlocking the secrets and untapped potential embedded within each word. In this evaluation, we shall explore the book's core themes, assess its distinct writing style, and delve into its lasting effect on the hearts and minds of those that partake in its reading experience.

<https://staging.conocer.cide.edu/data/Resources/fetch.php/erythroid%20cells.pdf>

Table of Contents Kango 900 Service Manual

1. Understanding the eBook Kango 900 Service Manual
 - The Rise of Digital Reading Kango 900 Service Manual
 - Advantages of eBooks Over Traditional Books
2. Identifying Kango 900 Service Manual
 - Exploring Different Genres
 - Considering Fiction vs. Non-Fiction
 - Determining Your Reading Goals
3. Choosing the Right eBook Platform
 - Popular eBook Platforms
 - Features to Look for in an Kango 900 Service Manual
 - User-Friendly Interface
4. Exploring eBook Recommendations from Kango 900 Service Manual
 - Personalized Recommendations
 - Kango 900 Service Manual User Reviews and Ratings
 - Kango 900 Service Manual and Bestseller Lists

5. Accessing Kango 900 Service Manual Free and Paid eBooks
 - Kango 900 Service Manual Public Domain eBooks
 - Kango 900 Service Manual eBook Subscription Services
 - Kango 900 Service Manual Budget-Friendly Options
6. Navigating Kango 900 Service Manual eBook Formats
 - ePub, PDF, MOBI, and More
 - Kango 900 Service Manual Compatibility with Devices
 - Kango 900 Service Manual Enhanced eBook Features
7. Enhancing Your Reading Experience
 - Adjustable Fonts and Text Sizes of Kango 900 Service Manual
 - Highlighting and Note-Taking Kango 900 Service Manual
 - Interactive Elements Kango 900 Service Manual
8. Staying Engaged with Kango 900 Service Manual
 - Joining Online Reading Communities
 - Participating in Virtual Book Clubs
 - Following Authors and Publishers Kango 900 Service Manual
9. Balancing eBooks and Physical Books Kango 900 Service Manual
 - Benefits of a Digital Library
 - Creating a Diverse Reading Collection Kango 900 Service Manual
10. Overcoming Reading Challenges
 - Dealing with Digital Eye Strain
 - Minimizing Distractions
 - Managing Screen Time
11. Cultivating a Reading Routine Kango 900 Service Manual
 - Setting Reading Goals Kango 900 Service Manual
 - Carving Out Dedicated Reading Time
12. Sourcing Reliable Information of Kango 900 Service Manual
 - Fact-Checking eBook Content of Kango 900 Service Manual
 - Distinguishing Credible Sources
13. Promoting Lifelong Learning

- Utilizing eBooks for Skill Development
 - Exploring Educational eBooks
14. Embracing eBook Trends
- Integration of Multimedia Elements
 - Interactive and Gamified eBooks

Kango 900 Service Manual Introduction

Free PDF Books and Manuals for Download: Unlocking Knowledge at Your Fingertips In today's fast-paced digital age, obtaining valuable knowledge has become easier than ever. Thanks to the internet, a vast array of books and manuals are now available for free download in PDF format. Whether you are a student, professional, or simply an avid reader, this treasure trove of downloadable resources offers a wealth of information, conveniently accessible anytime, anywhere. The advent of online libraries and platforms dedicated to sharing knowledge has revolutionized the way we consume information. No longer confined to physical libraries or bookstores, readers can now access an extensive collection of digital books and manuals with just a few clicks. These resources, available in PDF, Microsoft Word, and PowerPoint formats, cater to a wide range of interests, including literature, technology, science, history, and much more. One notable platform where you can explore and download free Kango 900 Service Manual PDF books and manuals is the internet's largest free library. Hosted online, this catalog compiles a vast assortment of documents, making it a veritable goldmine of knowledge. With its easy-to-use website interface and customizable PDF generator, this platform offers a user-friendly experience, allowing individuals to effortlessly navigate and access the information they seek. The availability of free PDF books and manuals on this platform demonstrates its commitment to democratizing education and empowering individuals with the tools needed to succeed in their chosen fields. It allows anyone, regardless of their background or financial limitations, to expand their horizons and gain insights from experts in various disciplines. One of the most significant advantages of downloading PDF books and manuals lies in their portability. Unlike physical copies, digital books can be stored and carried on a single device, such as a tablet or smartphone, saving valuable space and weight. This convenience makes it possible for readers to have their entire library at their fingertips, whether they are commuting, traveling, or simply enjoying a lazy afternoon at home. Additionally, digital files are easily searchable, enabling readers to locate specific information within seconds. With a few keystrokes, users can search for keywords, topics, or phrases, making research and finding relevant information a breeze. This efficiency saves time and effort, streamlining the learning process and allowing individuals to focus on extracting the information they need. Furthermore, the availability of free PDF books and manuals fosters a culture of continuous learning. By removing financial barriers, more people can access educational resources and pursue lifelong learning, contributing to personal

growth and professional development. This democratization of knowledge promotes intellectual curiosity and empowers individuals to become lifelong learners, promoting progress and innovation in various fields. It is worth noting that while accessing free Kango 900 Service Manual PDF books and manuals is convenient and cost-effective, it is vital to respect copyright laws and intellectual property rights. Platforms offering free downloads often operate within legal boundaries, ensuring that the materials they provide are either in the public domain or authorized for distribution. By adhering to copyright laws, users can enjoy the benefits of free access to knowledge while supporting the authors and publishers who make these resources available. In conclusion, the availability of Kango 900 Service Manual free PDF books and manuals for download has revolutionized the way we access and consume knowledge. With just a few clicks, individuals can explore a vast collection of resources across different disciplines, all free of charge. This accessibility empowers individuals to become lifelong learners, contributing to personal growth, professional development, and the advancement of society as a whole. So why not unlock a world of knowledge today? Start exploring the vast sea of free PDF books and manuals waiting to be discovered right at your fingertips.

FAQs About Kango 900 Service Manual Books

1. Where can I buy Kango 900 Service Manual books? Bookstores: Physical bookstores like Barnes & Noble, Waterstones, and independent local stores. Online Retailers: Amazon, Book Depository, and various online bookstores offer a wide range of books in physical and digital formats.
2. What are the different book formats available? Hardcover: Sturdy and durable, usually more expensive. Paperback: Cheaper, lighter, and more portable than hardcovers. E-books: Digital books available for e-readers like Kindle or software like Apple Books, Kindle, and Google Play Books.
3. How do I choose a Kango 900 Service Manual book to read? Genres: Consider the genre you enjoy (fiction, non-fiction, mystery, sci-fi, etc.). Recommendations: Ask friends, join book clubs, or explore online reviews and recommendations. Author: If you like a particular author, you might enjoy more of their work.
4. How do I take care of Kango 900 Service Manual books? Storage: Keep them away from direct sunlight and in a dry environment. Handling: Avoid folding pages, use bookmarks, and handle them with clean hands. Cleaning: Gently dust the covers and pages occasionally.
5. Can I borrow books without buying them? Public Libraries: Local libraries offer a wide range of books for borrowing. Book Swaps: Community book exchanges or online platforms where people exchange books.

6. How can I track my reading progress or manage my book collection? Book Tracking Apps: Goodreads, LibraryThing, and Book Catalogue are popular apps for tracking your reading progress and managing book collections. Spreadsheets: You can create your own spreadsheet to track books read, ratings, and other details.
7. What are Kango 900 Service Manual audiobooks, and where can I find them? Audiobooks: Audio recordings of books, perfect for listening while commuting or multitasking. Platforms: Audible, LibriVox, and Google Play Books offer a wide selection of audiobooks.
8. How do I support authors or the book industry? Buy Books: Purchase books from authors or independent bookstores. Reviews: Leave reviews on platforms like Goodreads or Amazon. Promotion: Share your favorite books on social media or recommend them to friends.
9. Are there book clubs or reading communities I can join? Local Clubs: Check for local book clubs in libraries or community centers. Online Communities: Platforms like Goodreads have virtual book clubs and discussion groups.
10. Can I read Kango 900 Service Manual books for free? Public Domain Books: Many classic books are available for free as they're in the public domain. Free E-books: Some websites offer free e-books legally, like Project Gutenberg or Open Library.

Find Kango 900 Service Manual :

[erythroid cells](#)

eric capton 24 nights

~~epidemiology of mental retardation~~

ernst ludwig kirchner zum 120 geburtstag gemalde aquarelle und zeichnung katalog 59

equipe 1 australie et nouvelle zelande cahier dactivites

[ere we go orks in the warhammer 40000 40k universe](#)

equivocal beings politics gender and sentimentality in the 1790s--wollstonecraft radcliffe burney austen

[epochs in the life of simon peter](#)

epidemiologia-2 edicion

ernies ark stories

~~epreuve de finances publi~~

es geht noch ein zug von der gare du nord

epigrams of martial selected and translated by james michie

errol flynn a bio-bibliography
epitaphs of a broken society

Kango 900 Service Manual :

rocking airplane pdf free woodworking plan com - Jun 14 2023

web browse through the various aircraft kits and airplane plans available for you to get started on building your own homebuilt aircraft

rocking 360 degree airplane plans pdf uniport edu - Jul 03 2022

web q an aeroplane is flying horizontally with a velocity of 360 km h 1 the distance between the tips of the wings of the aeroplane is 50 m the vertical component of the earth s

rocking 360 degree airplane plans pdf pqr uiaf gov co - Dec 08 2022

web rocking 360 degree airplane plans rocking 360 degree airplane plans should airplanes be flying themselves vanity fair may 2014 for marketing learners teachers

search results woodworkersworkshop - Aug 16 2023

web airplane rocker woodworking plan your little flyer will enjoy pretending to be a pilot riding this airplane which can rock 360 degrees it rocks not only forward and backward but

rocking 360 degree airplane plans pdf 2023 voto unéal edu - Jun 02 2022

web rocking360degreearplaneplans 1 rocking360degreearplaneplans rocking360degreearplaneplans downloaded from intranet2 flintcooper com by guest

rocking airplane woodworking plans updated - May 13 2023

web as this rocking 360 degree airplane plans it ends up physical one of the favored books rocking 360 degree airplane plans collections that we have this is why you remain

an aeroplane is flying horizontally with a velocity of 360 km h 1 - Mar 31 2022

web airplane flying handbook faa h 8083 3a jp medical ltd photographic possibilities second edition continues to provide a reliable source of techniques and ideas for the use

rocking 360 degree airplane plans live deskmy - Mar 11 2023

web merely said the rocking 360 degree airplane plans is universally compatible with any devices to read the century dictionary the century dictionary 1911 engine dynamics

rocking 360 degree airplane plans pdf blueskywildlife - Nov 07 2022

web the notice as skillfully as acuteness of this rocking 360 degree airplane plans can be taken as with ease as picked to act

the century dictionary and cyclopedia new

rocking 360 degree airplane plans pdf uniport edu - Oct 06 2022

web rocking 360 degree airplane plans 1 5 downloaded from uniport edu ng on june 7 2023 by guest rocking 360 degree airplane plans if you ally obsession such a referred

airplane rocker woodworking plan - Jul 15 2023

web a woodworking plan is instructions for building woodworks which can consist of rough sketches prepared with pencils or pen and paper it additionally includes even more

rocking360degreearplaneplans copy net buckcenter edu - Dec 28 2021

rocking360degreearplaneplans pdf intranet2 flintcooper - Feb 27 2022

web rocking 360 degree airplane plans 1 rocking 360 degree airplane plans if you ally need such a referred rocking 360 degree airplane plans books that will find the

rocking 360 degree airplane plans network eve gd - Sep 05 2022

web rocking 360 degree airplane plans pdf upload dona e hayda 2 4 downloaded from voto uncal edu br on august 26 2023 by dona e hayda plans and photos this book is

rocking 360 degree airplane plans uniport edu - Feb 10 2023

web aug 19 2023 as this rocking 360 degree airplane plans pdf it ends in the works innate one of the favored ebook rocking 360 degree airplane plans pdf collections that we

the spacex rocket landing is even more amazing in - Jan 09 2023

web jun 27 2023 rocking 360 degree airplane plans 3 4 downloaded from uniport edu ng on june 27 2023 by guest diagrams and tables airport design united states federal

rocking 360 degree airplane plans 2022 - Jan 29 2022

web rocking 360 degree airplane plans tuesday march 27 2018 professional golfer jaco van zyl new rv grin has taken delivery of his new rv7 zu jco expat dating in germany

homebuilt aircraft kits plans eaa - Apr 12 2023

web may 12 2023 rocking 360 degree airplane plans 1 6 downloaded from uniport edu ng on may 12 2023 by guest rocking 360 degree airplane plans thank you completely

rocking 360 degree airplane plans housing gov mv - Oct 26 2021

rocking 360 degree airplane plans pdf logb fonedog - Nov 26 2021

an aeroplane is flying horizontally with a velocity of 360 km h the - May 01 2022

web rocking 360 degree airplane plans 3 3 second edition continues to provide a reliable source of techniques and ideas for the use of alternative and contemporary photographic

rocking 360 degree airplane plans pdf helpdesk bricksave - Sep 17 2023

web rocking 360 degree airplane plans 3 3 2011 in the framework of the 14th international conference on human computer interaction hci 2011 incorporating 12 thematically similar conferences a total of 4039 contributions was submitted to hci 2011 of which

rocking 360 degree airplane plans pdf pqr uiaf gov co - Aug 04 2022

web the distance between the ends of the wings of an airplane is 5 0 m it is flying in a horizontal plane at a speed of 3 6 0 k m h o u r the vertical component of earth s

remembering nureyev the trail of a comet alibris - May 31 2022

web buy remembering nureyev the trail of a comet online on amazon eg at best prices fast and free shipping free returns cash on delivery available on eligible purchase

remembering nureyev the trail of a comet ciltli kapak - Jul 13 2023

web apr 15 2008 buy remembering nureyev the trail of a comet illustrated by van dantzig rudi de haan katie isbn 9780813032092 from amazon s book store

remembering nureyev the trail of a comet abebooks - Aug 02 2022

web this searing memoir takes an uncompromising look at the relationship between two artists rudolf nureyev one of the greatest male ballet dancers of the 20th century and rudi

remembering nureyev the trail of a comet abebooks - Dec 26 2021

web remembering nureyev the trail of a comet van dantzig rudi de haan katie on amazon com au free shipping on eligible orders remembering nureyev the trail

remembering nureyev the trail of a comet van dantzig - Nov 24 2021

web remembering nureyev the trail of a comet van dantzig rudi de haan katie trn 41 ratings by goodreads isbn 10 0813032091 isbn 13 9780813032092 published

remembering nureyev the trail of a comet abebooks - Oct 24 2021

remembering nureyev the trail of a comet alibris - Jul 01 2022

web this searing memoir takes an uncompromising look at the relationship between two artists rudolf nureyev one of the greatest male ballet dancers of the 20th century and rudi

remembering nureyev the trail of a comet - Apr 10 2023

web remembering nureyev the trail of a comet author rudi van dantzig summary in 1968 rudolf nureyev approached rudi van dantzig for permission to dance in one of the

remembering nureyev the trail of a comet copy - Feb 25 2022

web remembering nureyev the trail of a comet van dantzig rudi 43 ratings by goodreads isbn 10 0813032091 isbn 13 9780813032092 published by university

remembering nureyev the trail of a comet hardcover - Dec 06 2022

web abebooks com remembering nureyev the trail of a comet 9780813032092 by van dantzig rudi and a great selection of similar new used and collectible books

remembering nureyev the trail of a comet hardcover □□□ □□□□□□ - Apr 29 2022

web buy remembering nureyev the trail of a comet hardcover book by rudi van dantzig from as low as 21 84

remembering nureyev the trail of a comet abebooks - Jan 27 2022

web remembering nureyev the trail of a comet van dantzig rudi 41 ratings by goodreads isbn 10 0813032091 isbn 13 9780813032092 published by university

remembering nureyev the trail of a comet worldcat org - Mar 09 2023

web in 1968 nureyev approached rudi van dantzig for permission to dance in one of van dantzig s ballets so began a close friendship and artistic collaboration that lasted until

remembering nureyev the trail of a comet hardcover - Jun 12 2023

web apr 6 2008 in 1968 nureyev approached rudi van dantzig for permission to dance in one of van dantzig s ballets so began a close friendship and artistic collaboration that lasted

remembering nureyev the trail of a comet hardcover - Nov 05 2022

web remembering nureyev the trail of a comet van dantzig rudi de haan katie on amazon com au free shipping on eligible orders remembering nureyev the trail

remembering nureyev the trail of a comet - Aug 14 2023

web remembering nureyev the trail of a comet dantzig rudi van amazon com tr kitap

remembering nureyev the trail of a comet hardcover - Oct 04 2022

web abebooks com remembering nureyev the trail of a comet 304 pages 9 50x6 25x0 75 inches in stock remembering nureyev the trail of a comet by van dantzig rudi

remembering nureyev the trail of a comet google books - Feb 08 2023

web famously volatile fickle in his passions for people but with astonishing charisma onstage and off rudolf nureyev is

regarded as one of the greatest male ballet dancers of the

remembering nureyev the trail of a comet barnes noble - May 11 2023

web remembering nureyev the trail of a comet product description from amazon com famously volatile fickle in his passions for people but with astonishing charisma

remembering nureyev the trail of a comet secondsale com - Mar 29 2022

web 2 remembering nureyev the trail of a comet 2022 08 27 remembering nureyev the trail of a comet downloaded from app oaklandlibrary org by guest diamond ava the

remembering nureyev the trail of a comet abebooks - Sep 03 2022

web abebooks com remembering nureyev the trail of a comet book is in used good condition pages and cover are clean and intact used items may not include

remembering nureyev the trail of a comet by rudi van - Jan 07 2023

web apr 6 2008 famously volatile fickle in his passions for people but with astonishing charisma onstage and off rudolf nureyev is regarded as one of the greatest male ballet

queering anarchism addressing and undressing - Nov 24 2021

web queering anarchism suggests that queerness is more than a new gender norm instead offering a new personal politics that refuses to acquiesce to the mainstream codification

queering anarchism addressing and undressing power and - Jan 07 2023

web queering anarchism suggests that queerness is more than a new gender norm instead offering a new personal politics that refuses to acquiesce to the mainstre what does it

queering anarchism the anarchist library - Mar 09 2023

web queering anarchism addressing and undressing power and desire edited by c b daring j rogue deric shannon and abbey volcano oakland ca ak press 2012

queering anarchism addressing and undressing power and desire - May 31 2022

web queering anarchism a vital contribution in this moment providing analysis and strategies for building the queer and trans politics we want and need dean spade normal life a

queering anarchism addressing and undressing power and - Apr 10 2023

web so queering anarchism might also refer to making anarchism strange creating new understandings of anarchism that re de fine it using insights from queer theory and

queering anarchism addressing and undressing power and desire - Jun 12 2023

web jan 29 2013 queering anarchism addressing and undressing power and desire shannon deric rogue j daring c b volcano

abbey ackelsberg martha on

[queering anarchism addressing and undressing](#) - Aug 14 2023

web jan 11 2013 deric shannon j rogue c b daring abbey volcano ak press jan 11 2013 social science 240 pages 0 reviews reviews aren't verified but google

queering anarchism addressing and undressing power and - Jul 01 2022

web queering anarchism brings together a diverse set of writings ranging from the deeply theoretical to the playfully personal that explore the possibilities of the concept of

[project muse queering anarchism addressing and](#) - Feb 08 2023

web sep 26 2013 queering anarchism brings together a diverse set of writings ranging from the deeply theoretical to the playfully personal that explore the possibilities of the concept

queering anarchism addressing and undressing power and - Jul 13 2023

web queering anarchism addressing and undressing power and desire c b daring j rogue deric shannon and abbey volcano eds oakland ca ak press 2012 in

[queering anarchism addressing and undressing power and](#) - Sep 22 2021

web queering anarchism addressing and undressing power and desire 9781849351201 queering anarchism brings together a diverse set of writings ranging from the deeply

queering anarchism addressing and undressing power and - Dec 26 2021

web queering anarchism a vital contribution in this moment providing analysis and strategies for building the queer and trans politics we want and need dean spade normal life a

[queering anarchism addressing and undressing power and](#) - Jan 27 2022

web queering anarchism addressing and undressing power and desire by deric shannon j rogue c b daring abbey volcano martha ackelsberg resistance and the state pine

[queering anarchism addressing and undressing power and](#) - Sep 03 2022

web queering anarchism addressing and undressing power laws of the state of new york feb 13 2021 includes private and local laws anarchism dec 06 2022 queering

[queering anarchism addressing and undressing power and desire](#) - Oct 04 2022

web jan 11 2013 queering anarchism brings together a diverse set of writings ranging from the deeply theoretical to the playfully personal that explore the possibilities of the concept

[queering anarchism addressing and undressing power and](#) - Oct 24 2021

web queering anarchism brings together a diverse set of writings ranging from the deeply theoretical to the playfully

personal that explore the possibilities of the concept of
[queer anarchism wikipedia](#) - Mar 29 2022

web anarchy this enlightening volume invites readers to discover the true meaning of anarchism exploring its vivid history and its resurgent relevance for addressing today s

queering anarchism addressing and undressing power and desire - Apr 29 2022

web queer anarchism or anarcha queer is an anarchist school of thought that advocates anarchism and social revolution as a means of queer liberation and abolition of

queering anarchism addressing and undressing powe - Feb 25 2022

web queering anarchism addressing and undressing power and desire 1 036 likes 1 talking about this queering anarchism is an edited collection published by ak press

queering anarchism addressing and undressing power and desire - Nov 05 2022

web may 26 2022 queering anarchism brings together a diverse set of writings ranging from the deeply theoretical to the playfully personal that explore the possibilities of the concept

queering anarchism addressing and undressing power - May 11 2023

web queering anarchism addressing and undressing power and desire preface martha a ackelsberg smith college mackelsb smith edu follow this and additional works at

[queering anarchism addressing and undressing powe](#) - Aug 02 2022

web select search scope currently catalog all catalog articles website more in one search catalog books media more in the stanford libraries collections articles journal

queering anarchism addressing and undressing power and desire - Dec 06 2022

web jan 29 2013 queering anarchism brings together a diverse set of writings ranging from the deeply theoretical to the playfully personal that explore the possibilities of the concept

queering anarchism addressing and undressing power and - Aug 22 2021