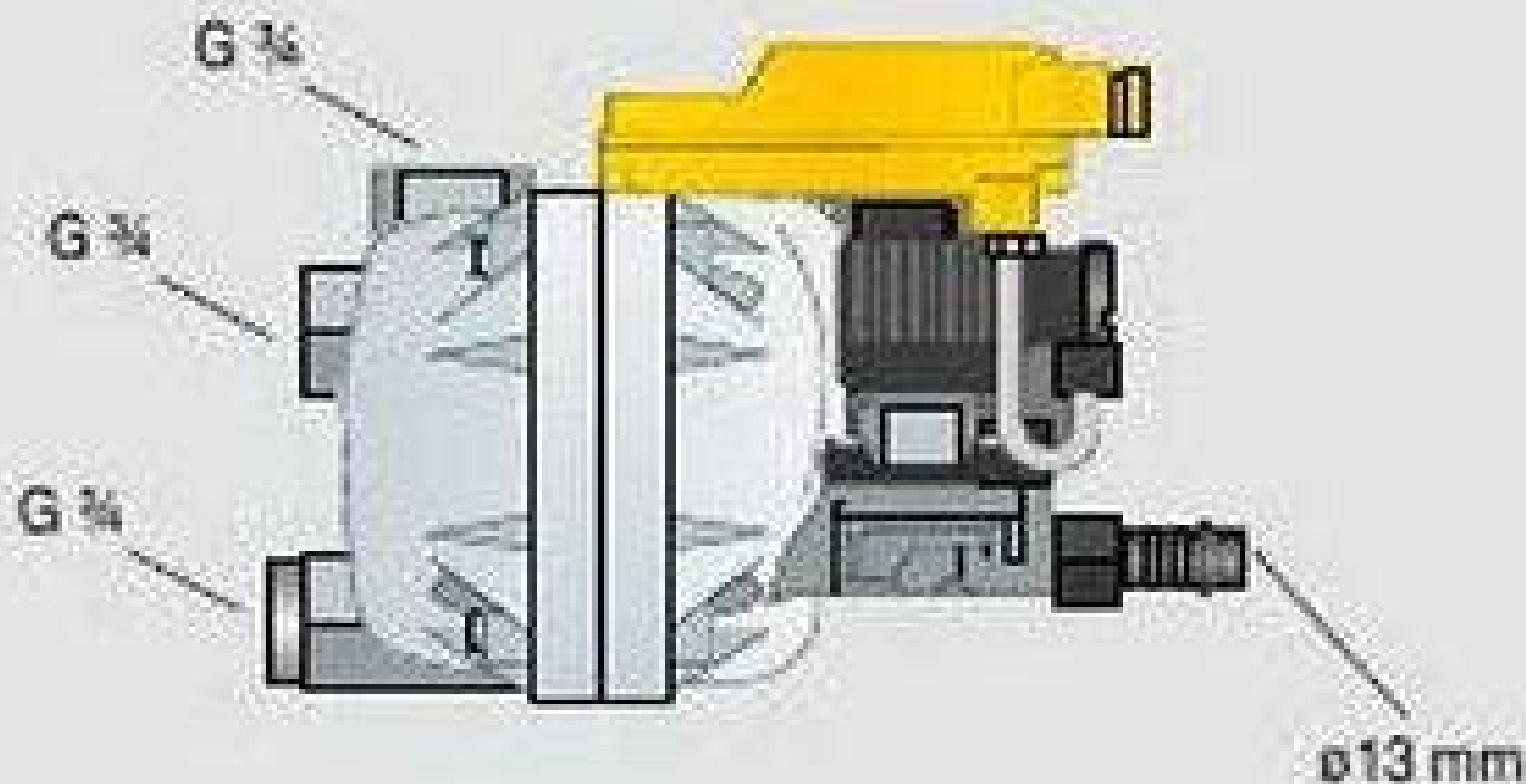


Eco Drain 14



Kaeser Eco Drain 14 Manual

L Manion



Kaeser Eco Drain 14 Manual:

Thank you for reading **Kaeser Eco Drain 14 Manual**. Maybe you have knowledge that, people have search numerous times for their favorite readings like this Kaeser Eco Drain 14 Manual, but end up in infectious downloads. Rather than reading a good book with a cup of coffee in the afternoon, instead they cope with some infectious bugs inside their desktop computer.

Kaeser Eco Drain 14 Manual is available in our digital library an online access to it is set as public so you can download it instantly.

Our books collection hosts in multiple countries, allowing you to get the most less latency time to download any of our books like this one.

Kindly say, the Kaeser Eco Drain 14 Manual is universally compatible with any devices to read

https://staging.conocer.cide.edu/About/publication/HomePages/Essential_Pediatric_Surgery_A_Hodder_Arnold_Publication.pdf

Table of Contents Kaeser Eco Drain 14 Manual

1. Understanding the eBook Kaeser Eco Drain 14 Manual
 - The Rise of Digital Reading Kaeser Eco Drain 14 Manual
 - Advantages of eBooks Over Traditional Books
2. Identifying Kaeser Eco Drain 14 Manual
 - Exploring Different Genres
 - Considering Fiction vs. Non-Fiction
 - Determining Your Reading Goals
3. Choosing the Right eBook Platform
 - Popular eBook Platforms
 - Features to Look for in an Kaeser Eco Drain 14 Manual
 - User-Friendly Interface
4. Exploring eBook Recommendations from Kaeser Eco Drain 14 Manual

- Personalized Recommendations
 - Kaeser Eco Drain 14 Manual User Reviews and Ratings
 - Kaeser Eco Drain 14 Manual and Bestseller Lists
5. Accessing Kaeser Eco Drain 14 Manual Free and Paid eBooks
 - Kaeser Eco Drain 14 Manual Public Domain eBooks
 - Kaeser Eco Drain 14 Manual eBook Subscription Services
 - Kaeser Eco Drain 14 Manual Budget-Friendly Options
 6. Navigating Kaeser Eco Drain 14 Manual eBook Formats
 - ePub, PDF, MOBI, and More
 - Kaeser Eco Drain 14 Manual Compatibility with Devices
 - Kaeser Eco Drain 14 Manual Enhanced eBook Features
 7. Enhancing Your Reading Experience
 - Adjustable Fonts and Text Sizes of Kaeser Eco Drain 14 Manual
 - Highlighting and Note-Taking Kaeser Eco Drain 14 Manual
 - Interactive Elements Kaeser Eco Drain 14 Manual
 8. Staying Engaged with Kaeser Eco Drain 14 Manual
 - Joining Online Reading Communities
 - Participating in Virtual Book Clubs
 - Following Authors and Publishers Kaeser Eco Drain 14 Manual
 9. Balancing eBooks and Physical Books Kaeser Eco Drain 14 Manual
 - Benefits of a Digital Library
 - Creating a Diverse Reading Collection Kaeser Eco Drain 14 Manual
 10. Overcoming Reading Challenges
 - Dealing with Digital Eye Strain
 - Minimizing Distractions
 - Managing Screen Time
 11. Cultivating a Reading Routine Kaeser Eco Drain 14 Manual
 - Setting Reading Goals Kaeser Eco Drain 14 Manual
 - Carving Out Dedicated Reading Time
 12. Sourcing Reliable Information of Kaeser Eco Drain 14 Manual

- Fact-Checking eBook Content of Kaeser Eco Drain 14 Manual
 - Distinguishing Credible Sources
13. Promoting Lifelong Learning
- Utilizing eBooks for Skill Development
 - Exploring Educational eBooks
14. Embracing eBook Trends
- Integration of Multimedia Elements
 - Interactive and Gamified eBooks

Kaeser Eco Drain 14 Manual Introduction

Free PDF Books and Manuals for Download: Unlocking Knowledge at Your Fingertips In today's fast-paced digital age, obtaining valuable knowledge has become easier than ever. Thanks to the internet, a vast array of books and manuals are now available for free download in PDF format. Whether you are a student, professional, or simply an avid reader, this treasure trove of downloadable resources offers a wealth of information, conveniently accessible anytime, anywhere. The advent of online libraries and platforms dedicated to sharing knowledge has revolutionized the way we consume information. No longer confined to physical libraries or bookstores, readers can now access an extensive collection of digital books and manuals with just a few clicks. These resources, available in PDF, Microsoft Word, and PowerPoint formats, cater to a wide range of interests, including literature, technology, science, history, and much more. One notable platform where you can explore and download free Kaeser Eco Drain 14 Manual PDF books and manuals is the internet's largest free library. Hosted online, this catalog compiles a vast assortment of documents, making it a veritable goldmine of knowledge. With its easy-to-use website interface and customizable PDF generator, this platform offers a user-friendly experience, allowing individuals to effortlessly navigate and access the information they seek. The availability of free PDF books and manuals on this platform demonstrates its commitment to democratizing education and empowering individuals with the tools needed to succeed in their chosen fields. It allows anyone, regardless of their background or financial limitations, to expand their horizons and gain insights from experts in various disciplines. One of the most significant advantages of downloading PDF books and manuals lies in their portability. Unlike physical copies, digital books can be stored and carried on a single device, such as a tablet or smartphone, saving valuable space and weight. This convenience makes it possible for readers to have their entire library at their fingertips, whether they are commuting, traveling, or simply enjoying a lazy afternoon at home. Additionally, digital files are easily searchable, enabling readers to locate specific information within seconds. With a few keystrokes, users can search for keywords, topics, or phrases, making research and finding relevant information a breeze. This efficiency

saves time and effort, streamlining the learning process and allowing individuals to focus on extracting the information they need. Furthermore, the availability of free PDF books and manuals fosters a culture of continuous learning. By removing financial barriers, more people can access educational resources and pursue lifelong learning, contributing to personal growth and professional development. This democratization of knowledge promotes intellectual curiosity and empowers individuals to become lifelong learners, promoting progress and innovation in various fields. It is worth noting that while accessing free Kaeser Eco Drain 14 Manual PDF books and manuals is convenient and cost-effective, it is vital to respect copyright laws and intellectual property rights. Platforms offering free downloads often operate within legal boundaries, ensuring that the materials they provide are either in the public domain or authorized for distribution. By adhering to copyright laws, users can enjoy the benefits of free access to knowledge while supporting the authors and publishers who make these resources available. In conclusion, the availability of Kaeser Eco Drain 14 Manual free PDF books and manuals for download has revolutionized the way we access and consume knowledge. With just a few clicks, individuals can explore a vast collection of resources across different disciplines, all free of charge. This accessibility empowers individuals to become lifelong learners, contributing to personal growth, professional development, and the advancement of society as a whole. So why not unlock a world of knowledge today? Start exploring the vast sea of free PDF books and manuals waiting to be discovered right at your fingertips.

FAQs About Kaeser Eco Drain 14 Manual Books

How do I know which eBook platform is the best for me? Finding the best eBook platform depends on your reading preferences and device compatibility. Research different platforms, read user reviews, and explore their features before making a choice. Are free eBooks of good quality? Yes, many reputable platforms offer high-quality free eBooks, including classics and public domain works. However, make sure to verify the source to ensure the eBook credibility. Can I read eBooks without an eReader? Absolutely! Most eBook platforms offer webbased readers or mobile apps that allow you to read eBooks on your computer, tablet, or smartphone. How do I avoid digital eye strain while reading eBooks? To prevent digital eye strain, take regular breaks, adjust the font size and background color, and ensure proper lighting while reading eBooks. What the advantage of interactive eBooks? Interactive eBooks incorporate multimedia elements, quizzes, and activities, enhancing the reader engagement and providing a more immersive learning experience. Kaeser Eco Drain 14 Manual is one of the best book in our library for free trial. We provide copy of Kaeser Eco Drain 14 Manual in digital format, so the resources that you find are reliable. There are also many Ebooks of related with Kaeser Eco Drain 14 Manual. Where to download Kaeser Eco Drain 14 Manual online for free? Are you looking for Kaeser Eco Drain 14 Manual PDF? This is

definitely going to save you time and cash in something you should think about. If you trying to find then search around for online. Without a doubt there are numerous these available and many of them have the freedom. However without doubt you receive whatever you purchase. An alternate way to get ideas is always to check another Kaeser Eco Drain 14 Manual. This method for see exactly what may be included and adopt these ideas to your book. This site will almost certainly help you save time and effort, money and stress. If you are looking for free books then you really should consider finding to assist you try this. Several of Kaeser Eco Drain 14 Manual are for sale to free while some are payable. If you arent sure if the books you would like to download works with for usage along with your computer, it is possible to download free trials. The free guides make it easy for someone to free access online library for download books to your device. You can get free download on free trial for lots of books categories. Our library is the biggest of these that have literally hundreds of thousands of different products categories represented. You will also see that there are specific sites catered to different product types or categories, brands or niches related with Kaeser Eco Drain 14 Manual. So depending on what exactly you are searching, you will be able to choose e books to suit your own need. Need to access completely for Campbell Biology Seventh Edition book? Access Ebook without any digging. And by having access to our ebook online or by storing it on your computer, you have convenient answers with Kaeser Eco Drain 14 Manual To get started finding Kaeser Eco Drain 14 Manual, you are right to find our website which has a comprehensive collection of books online. Our library is the biggest of these that have literally hundreds of thousands of different products represented. You will also see that there are specific sites catered to different categories or niches related with Kaeser Eco Drain 14 Manual So depending on what exactly you are searching, you will be able to choose ebook to suit your own need. Thank you for reading Kaeser Eco Drain 14 Manual. Maybe you have knowledge that, people have search numerous times for their favorite readings like this Kaeser Eco Drain 14 Manual, but end up in harmful downloads. Rather than reading a good book with a cup of coffee in the afternoon, instead they juggled with some harmful bugs inside their laptop. Kaeser Eco Drain 14 Manual is available in our book collection an online access to it is set as public so you can download it instantly. Our digital library spans in multiple locations, allowing you to get the most less latency time to download any of our books like this one. Merely said, Kaeser Eco Drain 14 Manual is universally compatible with any devices to read.

Find Kaeser Eco Drain 14 Manual :

~~essential pediatric surgery a hodder arnold publication~~

~~essential technique 2000 3 conductor cd~~

~~essential quilter tradition techniques design patterns and projects~~

~~et rettferdig oppgjor rettspgjpret o mprge etter 1945~~

essentials of radio

essential guide to cdrom

et si j'apprenais la peinture sur bois

essentials of paramedic care + workbook + study guide package

essentials of child development and personality

essential snowshoer

essential rock violin violin

essentials of marketing a global-management approach irwin series in marketing

essentials of modern western civilization

etale cohomology and the weil conjecture

eternal triangle

Kaeser Eco Drain 14 Manual :

techmax advanced communication system download only - Aug 03 2023

web techmax advanced communication system principles of communication systems simulation with wireless applications
aug 12 2021 this volume presents an overview of computer based simulation models and methodologies for communication

techmax wireless communication system and network 2022 - Mar 18 2022

web techmax wireless communication system and network 1 techmax wireless communication system and network principles
of digital communication the basics of satellite communications handbook of mobile communication studies wireless
communication the fundamental and advanced concepts digital communications

advanced communication system techmax stage gapinc com - Aug 23 2022

web advanced electronic communications systems satellite communications systems engineering embedded system design
digital communications fundamentals of signals and systems advanced digital communication systems wireless sensor
networks power system analysis fundamentals of wireless communication data structures

techmax - Jul 22 2022

web about techmax solutions is a leader in it security consultancy within east africa region our goal is to assist customers in
identifying and mitigating cyber threats targeting their business operations as industry leaders with years of experience we
have earned our reputation for innovative business solutions

wireless communication techmax publication - Mar 30 2023

web techmax wireless communication system and network june 17th 2018 techmax wireless communication system and

network pdf free download here bluefm de technical aspects of data communication techmax publications 2017 publication wireless communication centre

techmax publication communication networks - Sep 23 2022

web business communication mobile and wireless communication software defined networks computer networks telecommunication switching and networks computer networks graph theory with applications to engineering and computer science networking fundamentals vlsi design and test introduction to embedded systems

techmax publication mobile communication - Oct 25 2022

web evolution of wireless communication system wireless and mobile communication free ebook download personal communication services networks technical publications kbps layer lmds logical channels mbps microwave communication mobile station modulation multiframe multipath wireless communication communication skills

techmax wireless communication system and network - Oct 05 2023

web techmax wireless communication system and network author gerwald ritter from orientation sutd edu sg subject techmax wireless communication system and network keywords and wireless techmax system communication network created date 4 5 2023 11 29 31 am

wireless communication techmax publication - Jan 28 2023

web june 17th 2018 techmax wireless communication system and network pdf free download here hdcvi product catalog techmax co in download dahua hdcvi cctv camera product pdf orientation sutd edu sg 5 12

pdf advanced communication system techmax - Jul 02 2023

web issues including smart grids photovoltaic systems wireless power transfer signal processing 4g and 5g technologies iot applications mobile cloud computing and many more

wireless communication techmax publication pdf - Jun 01 2023

web wireless communication techmax publication effective technical communication dec 17 2021 this introduction to technical communication focuses on strategies that aim to make technical documents direct clear and readable for their intended audience over 60 of the material is new in

telemax communications - Jun 20 2022

web telemax communications pvt ltd is a value added distributor in india to market and support advanced voice over ip voip converged voip and data networking products and communications applications for service providers and enterprises

techmax wireless communication system and network 2022 - Apr 18 2022

web mobile communication systems and highlighting the main pitfalls and potential solutions the book fills an important gap in the literature and will foster the further developments of 5g hosting

wireless communication techmax publication orientation sutd edu - Feb 26 2023

web communications stanford university techmax wireless communication system and network wireless communication techmax publication ebooks for types of wireless communication and its applications wireless communication techmax getreport in introduction to wireless communications and networks mimo wireless

techmax wireless communication system and network pdf - Dec 27 2022

web mar 15 2023 merely said the techmax wireless communication system and network is universally compatible behind any devices to read new directions in wireless communications systems athanasios g kanatas 2017 10 16 beyond 2020 wireless

techmax publication communication optical fibre communication - Apr 30 2023

web enables you to deliver cost effective and transparent wireless network interoperability and expandability coverage includes introduction optical wireless communication systems wireless optical channels channel modeling modulation techniques diversity and detection techniques in optical fading

techmax wireless communication system and network - Feb 14 2022

web mobile communication systems and highlighting the main pitfalls and potential solutions the book fills an important gap in the literature and will foster the further developments of 5g hosting

techsystemtelecommunications - May 20 2022

web techsystem telecommunications is signamax certified and is able to give you 25 years limited warranty for connectivity cabling system in today s technology driven environment the backbone of your organization is your network keeping you connected to staff customers suppliers and the world at large to run a successful enterprise you need

techmax publication communication system - Nov 25 2022

web techmax publication communication system downloaded from data northitalia com by guest chambers sims communication systems i elsevier this book offers a technical background to the design and optimization of wireless communication systems covering optimization algorithms for wireless and 5g communication systems design

techmax wireless communication system and network - Sep 04 2023

web techmax wireless communication system and network 1 techmax wireless communication system and network principles of communications handbook of mobile communication studies the basics of satellite communications wireless communication the fundamental and advanced concepts principles of mobile

amazon de kundenrezensionen bricky 39 s collection der malblock - Apr 14 2023

web finde hilfreiche kundenrezensionen und rezensionsbewertungen für bricky s collection der malblock auf amazon de lese ehrliche und unvoreingenommene rezensionen von unseren nutzern

[bricky s collection der malblock t ab 6 73](#) - Jun 16 2023

web bricky s collection der malblock 4 angebote vergleichen bester preis 6 73 vom 02 08 2019 alle angebote nur beste angebote als tabelle kompakt preisspektrum

[bricky s collection der malblock amazon com au](#) - May 15 2023

web select the department you want to search in

playok briç oyna online - Mar 01 2022

web briç oyna online bazı özellikler seçenekler dünyanın dört bir yanından canlı rakipler oyun odaları sıralamalar kapsamlı istatistikler kullanıcı profilleri iletişim listeleri özel mesajlaşma oyun kayıtları mobil cihazlar için destek çevrimiçi oyunlar gerçek rakiplere karşı oyna oyun kuralları

bricky s collection der malblock bei lovelybooks sonstiges - Feb 12 2023

web oct 31 2019 bricky s malblock dieser astreine malblock ist teil der bricky s collection wird dich mit blättern versorgen und obendrein noch ein bisschen

brick block oyunu online ücretsiz oyna kraloyun - Jan 31 2022

web brick block Ücretsiz online oyun brick block yununu ve diğer binlerce popüler oyunları çocuk veya yetişkin kraloyun com da bedava

[bricky s collection der malblock von t taddl faltershop at](#) - Jul 17 2023

web bricky s collection der malblock von t taddl Über 1 5 mio bücher im faltershop bestellen versandkostenfrei ab 35

[pdf bricky s collection der malblock](#) - Oct 08 2022

web aug 9 2023 bricky s collection der malblock religious movements in the middle ages apr 24 2022 medievalists historians and women s studies specialists will welcome this translation of herbert grundmann s classic study of religious movements in the middle ages because it provides a much

[bricky s collection der malblock by t taddl jetpack theaoi](#) - Jul 05 2022

web t s malblock ist teil der bricky s collection einer hochwertigen schreibwaren kollektion die vom künstler für seine rund 1 5 millionen abonnenten starke munity

bricky s collection der malblock pdf pdf support ortax - Aug 06 2022

web bricky s collection der malblock pdf pages 3 30 bricky s collection der malblock pdf upload mita d boyle 3 30 downloaded from support ortax org on september 1 2023 by mita d boyle brick contains the complete second season of cartoons and so much more this is the fourth collection of brick comics written and drawn by david craig

bricky s collection der malblock weltbild - Sep 19 2023

web bricky s malblock dieser astreine malblock ist teil der bricky s collection wird dich mit blättern versorgen und obendrein

noch ein bisschen motivieren zu stift oder pinsel zu greifen der block enthält 50 blatt grammatur von 150 g qm²

[amazon de customer reviews bricky 39 s collection der malblock](#) - Nov 09 2022

web find helpful customer reviews and review ratings for bricky s collection der malblock at amazon de read honest and unbiased product reviews from our users

bricky s collection der malblock buch sonst isbn 978 3 - Jan 11 2023

web brickys malblock dieser astreine malblock ist teil der bricky s collection wird dich mit blättern versorgen und obendrein noch ein bisschen motivieren zu stift oder pinsel zu greifen der block enthält 50 blatt

bricky s collection der malblock help environment harvard edu - May 03 2022

web it is your categorically own grow old to feint reviewing habit among guides you could enjoy now is bricky s collection der malblock below the basement kate millett 1979 swann carol shields 2011 01 21 carol shields s award winning and critically acclaimed literary mystery first published in 1987 swann is

[bricky s collection der malblock t taddl author](#) - Dec 10 2022

web bricky s collection der malblock t taddl author buch buchzentrum der starke partner für handel und verlage 9675

umfassendes sortiment mit büchern spielen kalendern geschenken und mehr

bricky s collection der malblock weltbild - Aug 18 2023

web bricky s collection der malblock von t taddl jetzt im weltbild bücher shop bequem online bestellen reinklicken tolle bücher highlights entdecken buch dabei versandkostenfrei

[bricky s collection der malblock by t taddl](#) - Jun 04 2022

web de bricky s collection der malblock t taddl buch jpc de kundenrezensionen bricky s collection der nicky minaj your luv nicky303playz pages directory bricky s collection der malblock mal amp zeichenblöcke bricky s collection der malblock sonstiger artikel t index phpawe worldwide hwn500 de t taddl munity editions i der verlag für social

[bricky s collection der malblock by t taddl mintxx](#) - Apr 02 2022

web bricky s collection der malblock brickys malblock dieser astreine malblock ist teil der bricky s collection wird dich mit blättern versen und obendrein noch ein bisschen motivieren zu stift oder pinsel zu greifen

bricky s collection der malblock amazon fr livres - Sep 07 2022

web bricky s collection der malblock amazon fr livres passer au contenu principal fr bonjour entrez votre adresse toutes nos catégories sélectionnez la section dans laquelle vous souhaitez faire votre recherche rechercher amazon fr bonjour identifiez vous compte et listes retours et commandes

bricky s collection der malblock lesejury - Mar 13 2023

web brickys malblock dieser astreine malblock ist teil der bricky s collection wird dich mit blättern versorgen und obendrein

noch ein bisschen motivieren zu stift oder pinsel zu greifen

lilitha nursing college online application for 2024 - Aug 01 2022

web oct 12 2023 lilitha nursing college online application 2024 the lilitha nursing college has begun its online application for the 2024 academic year students who have been waiting to apply for study admission space hold the opportunity to complete the forms below is the step by step guide on how to complete the lilitha college of nursing

lilitha college of nursing application form 2023 2024 applysa - Jun 30 2022

web this is where to download the lilitha college of nursing application form 2023 2024 find the instructions for the lilitha college of nursing application form 2023 2024 below read also lilitha college of nursing fees sponsored links lilitha college of nursing online application

[lilitha college of nursing online application 2023 2024](#) - Feb 24 2022

web lilitha college of nursing application 2023 lilitha college of nursing online application form admission entry requirements programme duration prospectus application closing date contact details and fee structure for the 2023 academic year

[lilitha college of nursing online application 2024 pdf](#) - Dec 05 2022

web jan 20 2021 how to apply lilitha college of nursing online application 2024 in order to apply lilitha college of nursing online application you will need the followings a working email address your south african identity number if you are an international applicant your passport number how to registration lilitha college of nursing online

lilitha college of nursing online application 2023 2024 - Aug 13 2023

web the lilitha college of nursing 2023 2024 application can be done both online and offline you can apply online here in order to apply online you will need a working email address and a functional cell phone number or if you are

[lilitha nursing college application forms for 2022 pdf pdffiller](#) - May 30 2022

web students who meet the eligibility criteria set by lilitha nursing college 03 those who wish to apply for admission to lilitha nursing college and fulfill the requirements specified by the college for the application process

lilitha college of nursing application form 2023 2024 - May 10 2023

web the lilitha college of nursing admissions office has made the application form for the 2023 2024 academic year available online for admission to the lilitha college of nursing in 2023 2024 applications from adequately qualified and interested applicants are invited

lilitha college of nursing application forms 2024 - Mar 28 2022

web jun 10 2023 in this page you will be provided with lilitha college of nursing online application 2024 forms available course how to apply and application requirements lilitha college of nursing admission requirements

lilitha college of nursing application forms 2023 2024 - Nov 04 2022

web lilitha college of nursing application forms 2023 2024 muokechiedozi admissions lilitha college of nursing will soon begin its online application for the 2024 academic session so if you are a high school leaver or a matric student your chance to apply for a nursing degree is fast approaching

lilitha nursing college application forms for pdf signnow - Sep 02 2022

web lilitha nursing college application forms for 2022 pdf download check out how easy it is to complete and esign documents online using fillable templates and a powerful editor get everything done in minutes

lilitha college of nursing application form 2024 online how to apply - Sep 14 2023

web feb 1 2023 lilitha college of nursing application form 2024 the lilitha college of nursing as well as the south african nursing council sanc online admission application form for prospective candidates that seek admission into the lilitha college of nursing for the 2024 academic year has released

[lilitha nursing college applications 2023 pdf download link](#) - Oct 03 2022

web latest update on 03 10 2023 the official department of the lilitha nursing college has released an online application form for the upcoming admission season 2023 24 in september 2023 and the closing date is not updated yet table of contents

lilitha nursing college applications 2023 pdf download link lilitha nursing college applications

lilitha college of nursing 2023 intake application infopportunity - Feb 07 2023

web lilitha college of nursing intake application form for the 2023 2024 update is available check procedures on how to apply for the 2023 intake of prospective nurses consider the admission requirements in the table below before applying all applications should be done before the closing date to avoid forfeiting your efforts contents hide

lilitha college of nursing online application form 2023 2024 - Jul 12 2023

web lilitha college of nursing online application 2023 2024 lilitha college of nursing undergraduate and postgraduate online application is released lilitha college of nursing institution has been accredited by the south african nursing council sanc to offer nursing programmes why choose lilitha college of nursing

lilitha college of nursing admission application form 2024 2025 - Apr 28 2022

web oct 2 2023 umtata main campus or thambo districts ngqeleni libode lusikisiki bambisana elliotdale qumbu tsolo mclear ugie mthatha and its surrounding rural areas important the lilitha college of nursing application form 2024 is not yet out online disregard any form of advert you come across this page will be updated

lilitha college of nursing application 2024 work and study - Jan 26 2022

web jun 9 2020 lilitha college of nursing application 2024 lilitha college of nursing lcn application 2024 lilitha college of nursing online admission is out for application all applicants who need financial assistance must submit their applications on the nsfas online application system in this page you ll find a breakdown on how to

lilitha college of nursing applications are now open apply today - Mar 08 2023

web oct 14 2022 closing date 31 october 2022 post views 1 238 applications for the three year diploma in nursing r171 the lilitha college of nursing invites applications for basic diploma three year diploma in nursing science from young compassionate and caring individuals who read more

lilitha college of nursing 2023 2024 intake application - Apr 09 2023

web sep 23 2020 lilitha college of nursing 2023 2024 intake application lilitha college of nursing intake application form for 2023 2024 update check procedures on how to apply for the 2023 intake of prospective nurses consider the admission requirements in the table below before applying

lilitha college of nursing application 2023 2024 - Jan 06 2023

web dec 11 2021 advert is placed on the local newspapers daily dispatch and herald in april may period as well as on the website of the department impumelelo ecprov gov za to invite applications from suitable candidates for all programmes offered at the lilitha college of nursing

lilitha college of nursing online application 2024 - Jun 11 2023

web apr 10 2023 the lilitha college of nursing 2024 application can be done both online and offline you can apply online here in order to apply online you will need a working email address and a functional cell phone number or if you are an international applicant your passport number