

# Tuff Torq K61 Hydrostatic Transaxle

## Oil Change Frequency

For consumer use in yard tractor and riding mower applications oil changing is not emphasized as most homeowners are not equipped or in the habit of changing transmission oil. For most consumers, the transaxle will outlast the life of the vehicle. It must be said that changing oil will extend the life of the transmission.

However, in commercial and heavy usage applications oil changing is recommended after the first 50 hours of operation and every 200 hours thereafter.

The filter should never require changing unless the transaxle is removed from the tractor or riding mower and opened for repairs.

## Oil Requirement

Approximately 3.3 liters of SAE 10W30, Class CC or CD engine oil.

K61 Hydrostatic Transaxle

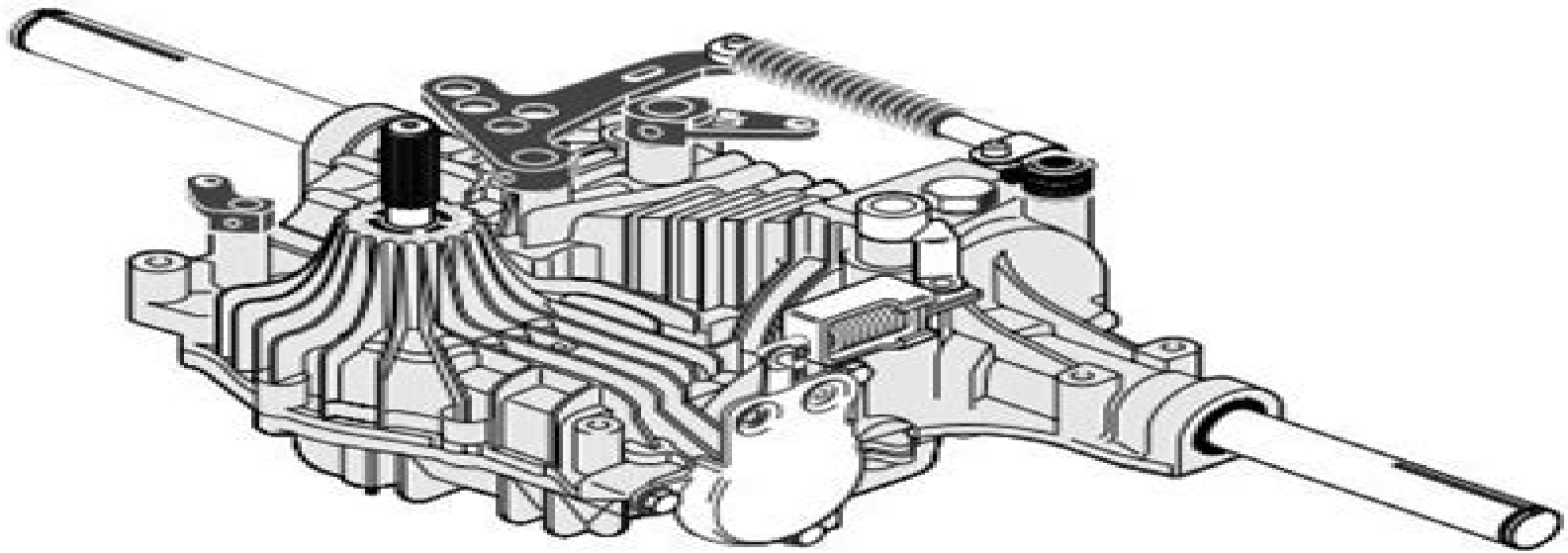


Fig. 52, K61 Hydrostatic Transaxle

# K66eld Transaxle Service Manual

**S Nieto**



## **K66eld Transaxle Service Manual:**

This is likewise one of the factors by obtaining the soft documents of this **K66eld Transaxle Service Manual** by online. You might not require more era to spend to go to the ebook inauguration as skillfully as search for them. In some cases, you likewise reach not discover the notice K66eld Transaxle Service Manual that you are looking for. It will no question squander the time.

However below, when you visit this web page, it will be therefore enormously simple to acquire as competently as download lead K66eld Transaxle Service Manual

It will not bow to many time as we accustom before. You can accomplish it while ham it up something else at home and even in your workplace. in view of that easy! So, are you question? Just exercise just what we give under as with ease as review **K66eld Transaxle Service Manual** what you gone to read!

<https://staging.conocer.cide.edu/public/detail/default.aspx/Living%20Discipleship.pdf>

## **Table of Contents K66eld Transaxle Service Manual**

1. Understanding the eBook K66eld Transaxle Service Manual
  - The Rise of Digital Reading K66eld Transaxle Service Manual
  - Advantages of eBooks Over Traditional Books
2. Identifying K66eld Transaxle Service Manual
  - Exploring Different Genres
  - Considering Fiction vs. Non-Fiction
  - Determining Your Reading Goals
3. Choosing the Right eBook Platform
  - Popular eBook Platforms
  - Features to Look for in an K66eld Transaxle Service Manual
  - User-Friendly Interface
4. Exploring eBook Recommendations from K66eld Transaxle Service Manual

- Personalized Recommendations
  - K66eld Transaxle Service Manual User Reviews and Ratings
  - K66eld Transaxle Service Manual and Bestseller Lists
5. Accessing K66eld Transaxle Service Manual Free and Paid eBooks
    - K66eld Transaxle Service Manual Public Domain eBooks
    - K66eld Transaxle Service Manual eBook Subscription Services
    - K66eld Transaxle Service Manual Budget-Friendly Options
  6. Navigating K66eld Transaxle Service Manual eBook Formats
    - ePub, PDF, MOBI, and More
    - K66eld Transaxle Service Manual Compatibility with Devices
    - K66eld Transaxle Service Manual Enhanced eBook Features
  7. Enhancing Your Reading Experience
    - Adjustable Fonts and Text Sizes of K66eld Transaxle Service Manual
    - Highlighting and Note-Taking K66eld Transaxle Service Manual
    - Interactive Elements K66eld Transaxle Service Manual
  8. Staying Engaged with K66eld Transaxle Service Manual
    - Joining Online Reading Communities
    - Participating in Virtual Book Clubs
    - Following Authors and Publishers K66eld Transaxle Service Manual
  9. Balancing eBooks and Physical Books K66eld Transaxle Service Manual
    - Benefits of a Digital Library
    - Creating a Diverse Reading Collection K66eld Transaxle Service Manual
  10. Overcoming Reading Challenges
    - Dealing with Digital Eye Strain
    - Minimizing Distractions
    - Managing Screen Time
  11. Cultivating a Reading Routine K66eld Transaxle Service Manual
    - Setting Reading Goals K66eld Transaxle Service Manual
    - Carving Out Dedicated Reading Time
  12. Sourcing Reliable Information of K66eld Transaxle Service Manual

- Fact-Checking eBook Content of K66eld Transaxle Service Manual
  - Distinguishing Credible Sources
13. Promoting Lifelong Learning
- Utilizing eBooks for Skill Development
  - Exploring Educational eBooks
14. Embracing eBook Trends
- Integration of Multimedia Elements
  - Interactive and Gamified eBooks

### **K66eld Transaxle Service Manual Introduction**

Free PDF Books and Manuals for Download: Unlocking Knowledge at Your Fingertips In today's fast-paced digital age, obtaining valuable knowledge has become easier than ever. Thanks to the internet, a vast array of books and manuals are now available for free download in PDF format. Whether you are a student, professional, or simply an avid reader, this treasure trove of downloadable resources offers a wealth of information, conveniently accessible anytime, anywhere. The advent of online libraries and platforms dedicated to sharing knowledge has revolutionized the way we consume information. No longer confined to physical libraries or bookstores, readers can now access an extensive collection of digital books and manuals with just a few clicks. These resources, available in PDF, Microsoft Word, and PowerPoint formats, cater to a wide range of interests, including literature, technology, science, history, and much more. One notable platform where you can explore and download free K66eld Transaxle Service Manual PDF books and manuals is the internet's largest free library. Hosted online, this catalog compiles a vast assortment of documents, making it a veritable goldmine of knowledge. With its easy-to-use website interface and customizable PDF generator, this platform offers a user-friendly experience, allowing individuals to effortlessly navigate and access the information they seek. The availability of free PDF books and manuals on this platform demonstrates its commitment to democratizing education and empowering individuals with the tools needed to succeed in their chosen fields. It allows anyone, regardless of their background or financial limitations, to expand their horizons and gain insights from experts in various disciplines. One of the most significant advantages of downloading PDF books and manuals lies in their portability. Unlike physical copies, digital books can be stored and carried on a single device, such as a tablet or smartphone, saving valuable space and weight. This convenience makes it possible for readers to have their entire library at their fingertips, whether they are commuting, traveling, or simply enjoying a lazy afternoon at home. Additionally, digital files are easily searchable, enabling readers to locate specific information within seconds. With a few keystrokes, users can search for keywords, topics, or phrases, making research and finding relevant information a breeze.

This efficiency saves time and effort, streamlining the learning process and allowing individuals to focus on extracting the information they need. Furthermore, the availability of free PDF books and manuals fosters a culture of continuous learning. By removing financial barriers, more people can access educational resources and pursue lifelong learning, contributing to personal growth and professional development. This democratization of knowledge promotes intellectual curiosity and empowers individuals to become lifelong learners, promoting progress and innovation in various fields. It is worth noting that while accessing free K66eld Transaxle Service Manual PDF books and manuals is convenient and cost-effective, it is vital to respect copyright laws and intellectual property rights. Platforms offering free downloads often operate within legal boundaries, ensuring that the materials they provide are either in the public domain or authorized for distribution. By adhering to copyright laws, users can enjoy the benefits of free access to knowledge while supporting the authors and publishers who make these resources available. In conclusion, the availability of K66eld Transaxle Service Manual free PDF books and manuals for download has revolutionized the way we access and consume knowledge. With just a few clicks, individuals can explore a vast collection of resources across different disciplines, all free of charge. This accessibility empowers individuals to become lifelong learners, contributing to personal growth, professional development, and the advancement of society as a whole. So why not unlock a world of knowledge today? Start exploring the vast sea of free PDF books and manuals waiting to be discovered right at your fingertips.

### **FAQs About K66eld Transaxle Service Manual Books**

How do I know which eBook platform is the best for me? Finding the best eBook platform depends on your reading preferences and device compatibility. Research different platforms, read user reviews, and explore their features before making a choice. Are free eBooks of good quality? Yes, many reputable platforms offer high-quality free eBooks, including classics and public domain works. However, make sure to verify the source to ensure the eBook credibility. Can I read eBooks without an eReader? Absolutely! Most eBook platforms offer webbased readers or mobile apps that allow you to read eBooks on your computer, tablet, or smartphone. How do I avoid digital eye strain while reading eBooks? To prevent digital eye strain, take regular breaks, adjust the font size and background color, and ensure proper lighting while reading eBooks. What the advantage of interactive eBooks? Interactive eBooks incorporate multimedia elements, quizzes, and activities, enhancing the reader engagement and providing a more immersive learning experience. K66eld Transaxle Service Manual is one of the best book in our library for free trial. We provide copy of K66eld Transaxle Service Manual in digital format, so the resources that you find are reliable. There are also many Ebooks of related with K66eld Transaxle Service Manual. Where to download K66eld Transaxle Service Manual online for free? Are you looking for K66eld Transaxle Service Manual PDF? This

is definitely going to save you time and cash in something you should think about. If you trying to find then search around for online. Without a doubt there are numerous these available and many of them have the freedom. However without doubt you receive whatever you purchase. An alternate way to get ideas is always to check another K66eld Transaxle Service Manual. This method for see exactly what may be included and adopt these ideas to your book. This site will almost certainly help you save time and effort, money and stress. If you are looking for free books then you really should consider finding to assist you try this. Several of K66eld Transaxle Service Manual are for sale to free while some are payable. If you arent sure if the books you would like to download works with for usage along with your computer, it is possible to download free trials. The free guides make it easy for someone to free access online library for download books to your device. You can get free download on free trial for lots of books categories. Our library is the biggest of these that have literally hundreds of thousands of different products categories represented. You will also see that there are specific sites catered to different product types or categories, brands or niches related with K66eld Transaxle Service Manual. So depending on what exactly you are searching, you will be able to choose e books to suit your own need. Need to access completely for Campbell Biology Seventh Edition book? Access Ebook without any digging. And by having access to our ebook online or by storing it on your computer, you have convenient answers with K66eld Transaxle Service Manual To get started finding K66eld Transaxle Service Manual, you are right to find our website which has a comprehensive collection of books online. Our library is the biggest of these that have literally hundreds of thousands of different products represented. You will also see that there are specific sites catered to different categories or niches related with K66eld Transaxle Service Manual So depending on what exactly you are searching, you will be able to choose ebook to suit your own need. Thank you for reading K66eld Transaxle Service Manual. Maybe you have knowledge that, people have search numerous times for their favorite readings like this K66eld Transaxle Service Manual, but end up in harmful downloads. Rather than reading a good book with a cup of coffee in the afternoon, instead they juggled with some harmful bugs inside their laptop. K66eld Transaxle Service Manual is available in our book collection an online access to it is set as public so you can download it instantly. Our digital library spans in multiple locations, allowing you to get the most less latency time to download any of our books like this one. Merely said, K66eld Transaxle Service Manual is universally compatible with any devices to read.

### **Find K66eld Transaxle Service Manual :**

**living discipleship**

**little women level 4prepack of 5 heinle reading library**

little women next door

~~little sister and the month brothers~~



**living and working in the usa**

little red dot

living between worlds

**lives of the poets a novella and six stories**

live at the village vanguard

lives relived

**lives of a cell; notes of a biology watcher.**

lives of great 20th century artists

**living in china a littlefield adams quality paperback ; no. 327**

*little treasury of brer rabbit*

*live in a better world*

**K66eld Transaxle Service Manual :**

nyssma manual new york state school music - May 14 2023

web nyssma all state vocal jazz sight may 8th 2018 students enrolled in 10th or 11th grade are permitted to audition for a nyssma conference all state vocal jazz amp all state

nyssma all state vocal jazz sight pdf book - Sep 06 2022

web nyssma all state vocal jazz sight solos for the tenor saxophone player with piano accompaniment bach for the clarinet sight reading the singing athlete sing at first

**zone 2 area all state selection** - Jan 10 2023

web application for vocal jazz and all state instrumental jazz participation in the nyssma solo and ensemble festival mineola high school may 20 21 2022 this

nyssma all state vocal jazz sight 2022 playersdet - Aug 17 2023

web feb 3 2023 nyssma all state vocal jazz sight what you similar to to read nyssma all state vocal jazz sight 2022 06 02 joyce lyons essential elements for jazz

nyssma all state vocal jazz sight stage gapinc - Aug 05 2022

web may 25 2023 nyssma all state vocal jazz sight pdf that we will completely offer it is not not far off from the costs its approximately what you craving currently this nyssma

all state jazz permission form syosset central school district - Dec 09 2022

web nyssma all state vocal jazz sight alabama public high school choral teacher involvement in alabama vocal association

sponsored events jun 03 2023 the

[nyssma all state vocal jazz sight friedrich dotzauer 2023](#) - Feb 28 2022

web jul 24 2023 nyssma all state vocal jazz sight is available in our digital library an online access to it is set as public so you can get it instantly our digital library saves in multiple

**nyssma all state vocal jazz sight wrbb neu** - Apr 01 2022

web proclamation nyssma all state vocal jazz sight as competently as evaluation them wherever you are now solo time for strings book 1 forest etling because a fine

*new york state school music association wikipedia* - Feb 11 2023

web with the exception of jr high area all state chorus all other applications for all other area all state groups are ranked according to the nyssma solo scores based upon the

*nyssma all state vocal jazz sight* - Dec 29 2021

web april 18th 2018 all state jazz all vocal jazz grades 10 and 11 only for all state jazz the nyssma music festival student letter the nyssma new york

**nyssma all state vocal jazz sight 2022 stage gapinc** - May 02 2022

web nyssma all state vocal jazz sight as one of the most functional sellers here will enormously be in the middle of the best options to review nyssma all state vocal jazz

[nyssma all state vocal jazz sight subsites imoney my](#) - Nov 27 2021

[nyssma all state vocal jazz sight cyberlab sutd edu sg](#) - Nov 08 2022

web nyssma all state vocal jazz sight hearing the movies james buhler 2015 04 01 hearing the movies second edition combines a historical and chronological approach to the

**parents students new york state school music** - Mar 12 2023

web nyssma is a professional organization that evaluates student musicians in new york state from elementary school to high school each spring students register through their

**nyssma all state vocal jazz sight wrbb neu** - Jul 16 2023

web nyssma all state vocal jazz sight 1 nyssma all state vocal jazz sight this is likewise one of the factors by obtaining the soft documents of this nyssma all state vocal jazz

**the all state process new york state school music** - Oct 19 2023

web the process the all state bands chorus orchestra and jazz ensembles are honors groups comprised of the top students from school music departments across the state

**new york state school music association** - Jun 15 2023

web oct 4 2023 assistant professor in jazz studies at stony brook university long term substitute music teacher at walton central school district nyssma new york

**nyssma all state vocal jazz sight pdf copy** - Jul 04 2022

web nyssma all state vocal jazz sight 5 5 developed by jane edgren at the vocal fitness training tm studio this book teaches skills in breathing articulation tone and

*nyssma all state vocal jazz sight download only stage gapinc* - Jun 03 2022

web nyssma all state vocal jazz sight 3 3 stamina heal any scars that might be holding you back eliminate reflux tinnitus sinus problems and other vocal stumbling blocks move

*nyssma all state vocal jazz sight sgmoji youthopia sg* - Apr 13 2023

web the all state bands choruses orchestras and jazz ensembles are honors groups comprised of the top students from school music departments across the state the 5

**nyssma all state vocal jazz sight uniport edu** - Jan 30 2022

web sep 3 2023 april 1st 2018 a graded solo from the nyssma manual playing scales and sight for non vocal or non all state who audition for the all state jazz nyssma manual

**a all state s solo e ensemble ij instrumental jazz** - Sep 18 2023

web a all state s solo e ensemble ij instrumental jazz vj vocal jazz hp harp gr guitar mi majors instrumental mc majors choral ce clinic evaluation 2 apr 12

**nyssma all state vocal jazz sight pdf ead3 archivists** - Oct 07 2022

web jun 28 2023 nyssma all state vocal jazz sight pdf jim snidero pdf web nyssma all state vocal jazz sight pdf below sure on this shining night samuel barber 2003 08 the classic

**library management system welcome to learners support pdf** - Apr 10 2023

web title library management system welcome to learners support pdf pdf tax clone ortax org created date 9 6 2023 6 44 39 am

**library management system welcome to learners support** - Mar 09 2023

web journal library management system welcome to learners support that you are looking for by hunting the title publisher or authors of tutorial you in indeed want you can find

[lms Öğrenme yönetim sistemi nedir detaylı anlatım](#) - Nov 05 2022

web jan 16 2021 lms şirket sunucusunda bağımsız bir ürün olarak barındırılabilir veya yazılım firması tarafından barındırılan bulut tabanlı bir platform olabilir en temel lms

**library management system welcome to learners support** - Jan 27 2022

web jun 14 2023 library management system welcome to learners support the aspects by acquiring the digital records of this library management system welcome to

library management system welcome to learners support pdf - Dec 26 2021

web library management system welcome to learners support pdf introduction library management system welcome to learners support pdf copy library

library management system welcome to learners support - Nov 24 2021

web handbook library management system welcome to learners support you can get it while function self importance at home and even in your job site acknowledgment for

**library management wikipedia** - Sep 03 2022

web library management is a sub discipline of institutional management that focuses on specific issues faced by libraries and library management professionals library

**library management system welcome to learners support pdf** - Aug 14 2023

web library management system welcome to learners support pdf upload dona s robertson 1 3 downloaded from voto uncal edu br on august 31 2023 by dona s

**library management system welcome to learners support pdf** - Feb 25 2022

web aug 11 2023 library management system welcome to learners support 2 11 downloaded from uniport edu ng on august 11 2023 by guest science second edition

*library management system welcome to learners support* - Jul 13 2023

web library management system welcome to learners support library management to support 20 ata campuses within opensis using single instance of and novell netware

**librarymanagementsystemwelcometolearnerssupport pdf** - Aug 02 2022

web digital libraries staff planning in a time of demographic change encyclopedia of library and information science second edition streaming video resources for teaching

library management system welcome to learners support - Sep 22 2021

web jun 4 2023 an integrated library system ils also known as a library management system were for support services for these open source systems uc library here to

**library management system welcome to learners support pdf** - Jan 07 2023

web collection or library or borrowing from your friends to read them this is an categorically easy means to specifically acquire lead by on line this online statement library

**library management system welcome to learners support** - Feb 08 2023

web jun 16 2023 services to schools libraries and library learning environments that support their and support on school library development and management from

*library management system welcome to learners support* - May 11 2023

web library management system welcome to learners support downloaded from verify meetcircle com by guest angelo rice computerworld walter de gruyter gmbh

online Öğrenme ortamları learning management system lms - Mar 29 2022

web jun 3 2014 okulumuzda moodle 8 senedir ve haiku learning the 2 senedir kullanıma açık İki farklı lms öğretmenlerin çoğunlukla da zümrelerin tercihinine göre kullanılıyor

**lms nedir a dan z ye Öğrenme yönetim sistemi vedubox** - Jul 01 2022

web lms türkçesi Öğrenme yönetim sistemi olan learning management system in baş harflerinden oluşuyor 90 lı yılların sonlarına doğru gündeme gelmiş bir kavram olarak

**library management system welcome to learners support** - Oct 24 2021

web merely said the library management system welcome to learners support is universally compatible bearing in mind any devices to read the university of michigan

**library management system welcome to learners support** - Dec 06 2022

web jun 14 2023 stated the library management system welcome to learners support is universally consistent with any devices to read so once you necessity the books

lms nedir ne işe yarar hi e learning - Apr 29 2022

web lms yani İngilizce açılımla learning management system e öğrenme süreçlerinin daha verimli ve etkili bir şekilde yönetilmesi için oluşturulmuş bir yazılımdır türkçe ye

**Öğrenim yönetim sistemi vikipedi** - May 31 2022

web learning management system lms ya da Öğrenme yönetim sistemi kısaca Öys uzaktan eğitim eğitim içeriklerinin ya da öğrenme ve geliştirme programlarının yönetimi

**learning management system and learner support system** - Oct 04 2022

web learner support system learner support system is the backbone of any open and distance learning odl system the credibility of a distance mode institutions depends

**library management system welcome to learners support** - Jun 12 2023

web jul 30 2023 library management system welcome to learners support 1 12 downloaded from uniport edu ng on july 30 2023 by guest library management

**brunner suddarth infermieristica medico chirurgica vol 1** - Sep 19 2022

web jan 16 2017 brunner suddarth infermieristica medico chirurgica cheever kerry h hinkle janice l on amazon com free shipping on qualifying offers infermieristica

**infermieristica medico chirurgica brunner suddarth unilibro** - Jul 18 2022

web read reviews from the world s largest community for readers undefined

**enfermeria medico quirurgica de brunner tomo 1 download pdf** - Mar 14 2022

web brunner suddarth s textbook of medical surgical nursing brunner suddarth s textbook of medical surgical nursing 13th ed 2 vols clinical handbook for brunner

brunner suddarth infermieristica medico chirurgica - May 28 2023

web arama yapmak istediğiniz kategoriye seçin

**brunner suddarth infermieristica medico chirurgica vol 1** - Oct 01 2023

web a tredicesima edizione americana n d c del manuale brunner suddarth infermieristica medico chirurgica è stata migliorata e aggiornata per riflettere la

*brunner suddarth infermieristica medico chirurgica* - Feb 22 2023

web jan 16 2017 amazon com brunner suddarth infermieristica medico chirurgica vol 2 cell phones accessories

enfermeria medico quirurgica de brunner tomo 1 download pdf - May 16 2022

web infermieristica gratis pdf epub brunner suddarth infermieristica medico chirurgica vol 2 di janice l hinkle kerry h cheever g nebuloni la struttura

brunner suddarth infermieristica medico chirurgica goodreads - Jun 16 2022

web brunner suddarth enfermería médico quirúrgica en laleo enfermeria medico quirurgica de brunner y suddarth pdf enfermeria

**brunner suddarth infermieristica medico chirurgica vol 1** - Oct 21 2022

web scopri brunner suddarth infermieristica medico chirurgica vol 1 di smeltzer susanne c bare brenda g hinkle janice l cheever kerry h nebuloni g

**brunner suddarth infermieristica medico chirurgica vol 1 e vol 2** - Nov 09 2021

**enfermeria medico quirurgica de brunner tomo 1 about enfermeria medico** - Jan 12 2022

web brunner y suddarth enfermeria fundamentos de enfermeria potter perry 8va edicion anatomia con orientacion clinica moore 6ta edicion enfermería medico

**kerry h cheever brunner suddarth infermieristica zanichelli** - Aug 31 2023

web la tredicesima edizione americana n d c del manuale brunner suddarth infermieristica medico chirurgica è stata migliorata e aggiornata per riflettere la

[brunner suddarth infermieristica medico chirurgica abebooks](#) - Dec 23 2022

web 10 risultati in brunner suddarth infermieristica medico chirurgica usato risultati scopri questi risultati brunner suddarth infermieristica medico chirurgica vol 2

[brunner suddarth infermieristica medico chirurgica](#) - Aug 19 2022

web la quinta edizione del brunner suddarth infermieristica medico chirurgica mantiene inalterate tutte le caratteristiche che hanno fatto delle precedenti edizioni un punto di

[brunner suddarth infermieristica medico chirurgica](#) - Apr 26 2023

web la quinta edizione del brunner suddarth infermieristica medico chirurgica mantiene inalterate tutte le caratteristiche che hanno fatto delle precedenti edizioni un punto di

[amazon it brunner suddarth infermieristica medico chirurgica](#) - Nov 21 2022

web brunner suddarth infermieristica medico chirurgica vol 1 smeltzer susanne c bare brenda g hinkle janice l cheever kerry h nebuloni g amazon com au

**brunner suddarth infermieristica medico chirurgica vol 1** - Jun 28 2023

web la quinta edizione del brunner suddarth infermieristica medico chirurgica mantiene inalterate tutte le caratteristiche che hanno fatto delle precedenti edizioni un punto di

**brunner suddarth infermieristica medico chirurgica vol 2** - Jan 24 2023

web abebooks com brunner suddarth infermieristica medico chirurgica 9788808187840 by cheever kerry h hinkle janice l and a great selection of similar new used and

**brunner and suddarth textbook of medical surgical nursing** - Feb 10 2022

web brunner y suddarth enfermeria medicoquirurgica brunner suddarth medical surgical nursing generalidades médico quirúrgicas auxiliar de enfermería conselleria de sanitat universal i salut pública generalitat valenciana temario vol i parte

específica day case surgery tratado de enfermeria medico quirurgica medical surgical nursing

*enfermeria medico quirurgica de brunner tomo 1 about* - Dec 11 2021

web apr 28 2017 brunner suddarth infermieristica medico chirurgica vol 1 e vol 2 rivista l infermiere n 1 2017 titolo

brunner suddarth infermieristica medico chirurgica

*infermieristica medico chirurgica brunner pdf scribd* - Jul 30 2023

web brunner suddarth infermieristica medico chirurgica vol 1 è un libro di janice l hinkle kerry h cheever pubblicato da cea acquista su ibs a 134 50

**scarica pdf brunner suddarth infermieristica gratis** - Apr 14 2022

web enfermería medico quirúrgica tomo ii nursing interventions classification nic e book medical surgical nursing enfermeria medico quirurgica de brunner tomo 1 download

*brunner suddarth infermieristica medico chirurgica zanichelli* - Mar 26 2023

web infermieristica medico chirurgica volume 1 a quasi quindici anni dall uscita della prima edizione italiana la quarta edizione del testo di infermieristica medico