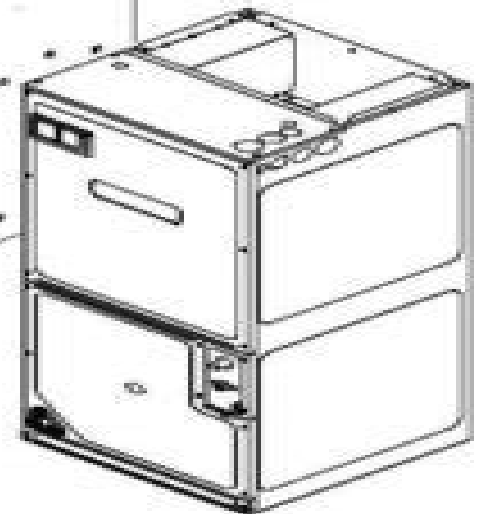
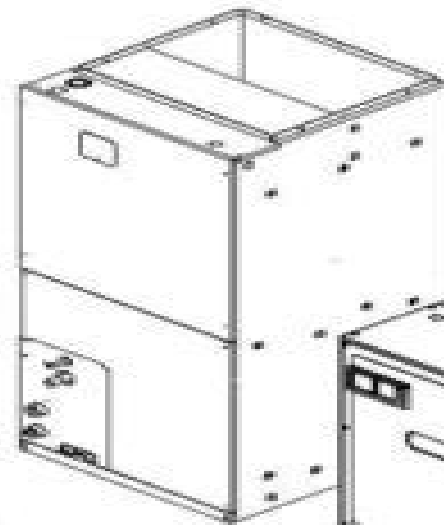
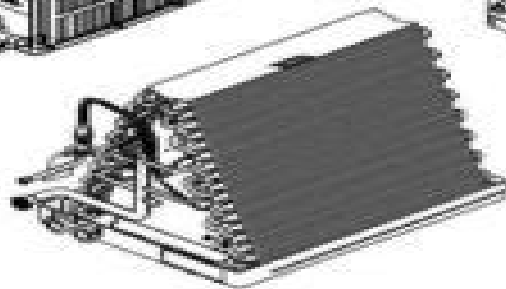
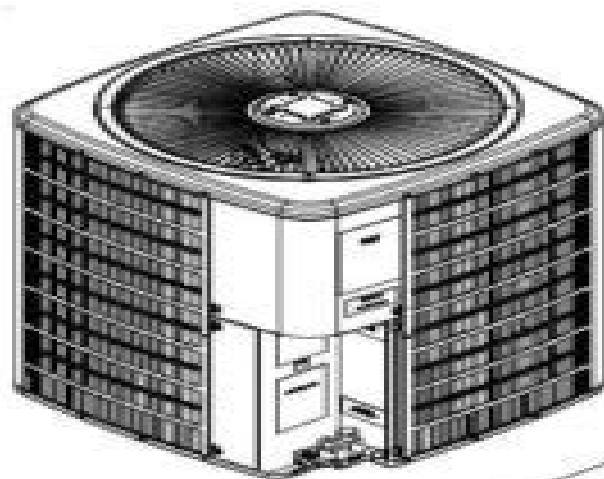


Service Instructions

**ANX, SSX, ASX, GSX, DSX
Condensing Units,
ANZ, SSZ, ASZ, GSZ, DSZ, VSX, VSZ Split System Heat Pumps
with R-410A Refrigerant
Blowers, Coils, & Accessories**



This manual is to be used by qualified, professionally trained HVAC technicians only. The manufacturer does not assume any responsibility for property damage or personal injury due to improper service procedures or services performed by an unqualified person.

RS6 2000046-00
February 2018

Copyright © 2004-2018 Goodman Manufacturing Company, L.P.

Goodman Air Conditioner Wmc Manual

Christian Drosten



Goodman Air Conditioner Wmc Manual:

Thank you for downloading **Goodman Air Conditioner Wmc Manual**. As you may know, people have search hundreds times for their chosen novels like this Goodman Air Conditioner Wmc Manual, but end up in infectious downloads. Rather than enjoying a good book with a cup of tea in the afternoon, instead they cope with some infectious virus inside their laptop.

Goodman Air Conditioner Wmc Manual is available in our book collection an online access to it is set as public so you can get it instantly.

Our book servers spans in multiple locations, allowing you to get the most less latency time to download any of our books like this one.

Merely said, the Goodman Air Conditioner Wmc Manual is universally compatible with any devices to read

https://staging.conocer.cide.edu/book/virtual-library/Download_PDFS/Letters%20Of%20Gorky%20Andreev%201899%20191.pdf

Table of Contents Goodman Air Conditioner Wmc Manual

1. Understanding the eBook Goodman Air Conditioner Wmc Manual
 - The Rise of Digital Reading Goodman Air Conditioner Wmc Manual
 - Advantages of eBooks Over Traditional Books
2. Identifying Goodman Air Conditioner Wmc Manual
 - Exploring Different Genres
 - Considering Fiction vs. Non-Fiction
 - Determining Your Reading Goals
3. Choosing the Right eBook Platform
 - Popular eBook Platforms
 - Features to Look for in an Goodman Air Conditioner Wmc Manual
 - User-Friendly Interface
4. Exploring eBook Recommendations from Goodman Air Conditioner Wmc Manual

- Personalized Recommendations
 - Goodman Air Conditioner Wmc Manual User Reviews and Ratings
 - Goodman Air Conditioner Wmc Manual and Bestseller Lists
5. Accessing Goodman Air Conditioner Wmc Manual Free and Paid eBooks
 - Goodman Air Conditioner Wmc Manual Public Domain eBooks
 - Goodman Air Conditioner Wmc Manual eBook Subscription Services
 - Goodman Air Conditioner Wmc Manual Budget-Friendly Options
 6. Navigating Goodman Air Conditioner Wmc Manual eBook Formats
 - ePub, PDF, MOBI, and More
 - Goodman Air Conditioner Wmc Manual Compatibility with Devices
 - Goodman Air Conditioner Wmc Manual Enhanced eBook Features
 7. Enhancing Your Reading Experience
 - Adjustable Fonts and Text Sizes of Goodman Air Conditioner Wmc Manual
 - Highlighting and Note-Taking Goodman Air Conditioner Wmc Manual
 - Interactive Elements Goodman Air Conditioner Wmc Manual
 8. Staying Engaged with Goodman Air Conditioner Wmc Manual
 - Joining Online Reading Communities
 - Participating in Virtual Book Clubs
 - Following Authors and Publishers Goodman Air Conditioner Wmc Manual
 9. Balancing eBooks and Physical Books Goodman Air Conditioner Wmc Manual
 - Benefits of a Digital Library
 - Creating a Diverse Reading Collection Goodman Air Conditioner Wmc Manual
 10. Overcoming Reading Challenges
 - Dealing with Digital Eye Strain
 - Minimizing Distractions
 - Managing Screen Time
 11. Cultivating a Reading Routine Goodman Air Conditioner Wmc Manual
 - Setting Reading Goals Goodman Air Conditioner Wmc Manual
 - Carving Out Dedicated Reading Time
 12. Sourcing Reliable Information of Goodman Air Conditioner Wmc Manual

- Fact-Checking eBook Content of Goodman Air Conditioner Wmc Manual
 - Distinguishing Credible Sources
13. Promoting Lifelong Learning
- Utilizing eBooks for Skill Development
 - Exploring Educational eBooks
14. Embracing eBook Trends
- Integration of Multimedia Elements
 - Interactive and Gamified eBooks

Goodman Air Conditioner Wmc Manual Introduction

In the digital age, access to information has become easier than ever before. The ability to download Goodman Air Conditioner Wmc Manual has revolutionized the way we consume written content. Whether you are a student looking for course material, an avid reader searching for your next favorite book, or a professional seeking research papers, the option to download Goodman Air Conditioner Wmc Manual has opened up a world of possibilities. Downloading Goodman Air Conditioner Wmc Manual provides numerous advantages over physical copies of books and documents. Firstly, it is incredibly convenient. Gone are the days of carrying around heavy textbooks or bulky folders filled with papers. With the click of a button, you can gain immediate access to valuable resources on any device. This convenience allows for efficient studying, researching, and reading on the go. Moreover, the cost-effective nature of downloading Goodman Air Conditioner Wmc Manual has democratized knowledge. Traditional books and academic journals can be expensive, making it difficult for individuals with limited financial resources to access information. By offering free PDF downloads, publishers and authors are enabling a wider audience to benefit from their work. This inclusivity promotes equal opportunities for learning and personal growth. There are numerous websites and platforms where individuals can download Goodman Air Conditioner Wmc Manual. These websites range from academic databases offering research papers and journals to online libraries with an expansive collection of books from various genres. Many authors and publishers also upload their work to specific websites, granting readers access to their content without any charge. These platforms not only provide access to existing literature but also serve as an excellent platform for undiscovered authors to share their work with the world. However, it is essential to be cautious while downloading Goodman Air Conditioner Wmc Manual. Some websites may offer pirated or illegally obtained copies of copyrighted material. Engaging in such activities not only violates copyright laws but also undermines the efforts of authors, publishers, and researchers. To ensure ethical downloading, it is advisable to utilize reputable websites that prioritize the legal distribution of content. When downloading Goodman Air Conditioner Wmc

Manual, users should also consider the potential security risks associated with online platforms. Malicious actors may exploit vulnerabilities in unprotected websites to distribute malware or steal personal information. To protect themselves, individuals should ensure their devices have reliable antivirus software installed and validate the legitimacy of the websites they are downloading from. In conclusion, the ability to download Goodman Air Conditioner Wmc Manual has transformed the way we access information. With the convenience, cost-effectiveness, and accessibility it offers, free PDF downloads have become a popular choice for students, researchers, and book lovers worldwide. However, it is crucial to engage in ethical downloading practices and prioritize personal security when utilizing online platforms. By doing so, individuals can make the most of the vast array of free PDF resources available and embark on a journey of continuous learning and intellectual growth.

FAQs About Goodman Air Conditioner Wmc Manual Books

1. Where can I buy Goodman Air Conditioner Wmc Manual books? Bookstores: Physical bookstores like Barnes & Noble, Waterstones, and independent local stores. Online Retailers: Amazon, Book Depository, and various online bookstores offer a wide range of books in physical and digital formats.
2. What are the different book formats available? Hardcover: Sturdy and durable, usually more expensive. Paperback: Cheaper, lighter, and more portable than hardcovers. E-books: Digital books available for e-readers like Kindle or software like Apple Books, Kindle, and Google Play Books.
3. How do I choose a Goodman Air Conditioner Wmc Manual book to read? Genres: Consider the genre you enjoy (fiction, non-fiction, mystery, sci-fi, etc.). Recommendations: Ask friends, join book clubs, or explore online reviews and recommendations. Author: If you like a particular author, you might enjoy more of their work.
4. How do I take care of Goodman Air Conditioner Wmc Manual books? Storage: Keep them away from direct sunlight and in a dry environment. Handling: Avoid folding pages, use bookmarks, and handle them with clean hands. Cleaning: Gently dust the covers and pages occasionally.
5. Can I borrow books without buying them? Public Libraries: Local libraries offer a wide range of books for borrowing. Book Swaps: Community book exchanges or online platforms where people exchange books.
6. How can I track my reading progress or manage my book collection? Book Tracking Apps: Goodreads, LibraryThing, and Book Catalogue are popular apps for tracking your reading progress and managing book collections. Spreadsheets: You can create your own spreadsheet to track books read, ratings, and other details.

7. What are Goodman Air Conditioner Wmc Manual audiobooks, and where can I find them? Audiobooks: Audio recordings of books, perfect for listening while commuting or multitasking. Platforms: Audible, LibriVox, and Google Play Books offer a wide selection of audiobooks.
8. How do I support authors or the book industry? Buy Books: Purchase books from authors or independent bookstores. Reviews: Leave reviews on platforms like Goodreads or Amazon. Promotion: Share your favorite books on social media or recommend them to friends.
9. Are there book clubs or reading communities I can join? Local Clubs: Check for local book clubs in libraries or community centers. Online Communities: Platforms like Goodreads have virtual book clubs and discussion groups.
10. Can I read Goodman Air Conditioner Wmc Manual books for free? Public Domain Books: Many classic books are available for free as they're in the public domain. Free E-books: Some websites offer free e-books legally, like Project Gutenberg or Open Library.

Find Goodman Air Conditioner Wmc Manual :

letters of gorky andreev 1899 1912

leyden papyrus an egyptian magical
lettering and alphabets

lettre au greco

leven op andere planeten

liberalism and social action

liassic ironstones

lewis rand.

lexique de politique a tats vie politique relations internationales

letters of william and dorothy wordsworth vol. viii a supplement of new letters

lexicography an introduction

letters of h l mencken

~~letts explore twelfth night key stage 3 letts explore for key stage 3 s~~

letters concerning the english nation

lewis morley

Goodman Air Conditioner Wmc Manual :

[the wretched ones the have nots a play zimbabwe writers mujajati](#) - Jun 06 2023

web jan 1 1989 learn more see this image the wretched ones the have nots a play zimbabwe writers unknown binding january 1 1989 by george mujajati author no reviews print length 38 pages language english publisher longman zimbabwe publication date january 1 1989 see all details the amazon book review

the wretched ones by g mujajati housing gov mv - Jun 25 2022

web the wretched ones by g mujajati the wretched ones by g mujajati wretched ones abebooks frantz fanon internet encyclopedia of philosophy the wretched ones the have nots a play zimbabwe saint alberts high school wikipedia the engines of sodor season 1 youtube the subaltern speaks themes and perspectives in nine inch nails

the wretched ones by g mujajati download only - Feb 19 2022

web the wretched ones george mujajati 1989 fear not my brother george mujajati 2011 01 01 toward the decolonization of african literature chinweizu 1985 this is an interesting and original book which is a stinging critique of some of the dominant trends in contemporary african literature and literary criticism

[the wretched ones by g mujajati full pdf stage gapinc](#) - Mar 23 2022

web an analysis of frantz fanon s the wretched of the earth the wretched ones by g mujajati downloaded from stage gapinc com by guest joseph destiney poetical works of charles g halpine miles o reilly cindy parmiter frantz fanon is one of the most important figures in the history of what is now known as postcolonial studies the field

the wretched ones by g mujajati pdf ceu social - Aug 08 2023

web the wretched ones by g mujajati the wretched ones by g mujajati 2 downloaded from ceu social on 2020 06 23 by guest this new edition of the innovative and widely acclaimed theatre histories an introduction offers overviews of theatre and drama in many world cultures and periods together with case studies demonstrating the methods and

the wretched ones by g mujajati secure4 khronos - Nov 30 2022

web jun 3 2023 the wretched ones by g mujajati isbn from amazon s book store everyday low prices and free delivery on eligible orders wretched and divine the story of the wild ones and a great selection of

[the wretched ones by george mujajati open library](#) - Sep 09 2023

web nov 13 2020 it shows the struggle between the capitalist and the proletarian the title its self is named after the paupers which a common through out the story e g lazurus by farai mukuwane publish date 1989 publisher longman zimbabwe language english

the wretched ones the have nots a play google books - Oct 10 2023

web title the wretched ones the have nots a play zimbabwe writers author george mujajati publisher longman zimbabwe 1989

original from indiana university

the wretched ones by g mujajati - Sep 28 2022

web sep 16 2023 the wretched ones old songs youtube the wretched ones the have nots a play mujajati cdc fact sheet health effects of cigarette smoking wretched definition and meaning collins english dictionary the wretched ones the have nots a play zimbabwe the wretched ones 1989 edition open library the wretched ones

reading zimbabwe the wretched ones - Mar 03 2023

web the wretched ones a play george mujajati longman harare 1989 english book is out of print synopsis no synopsis for this book yet review no review for this book yet george mujajati is an award winning zimbabwean novelist and playwright

the wretched ones by g mujajati pqr uiaf gov co - Apr 23 2022

web the wretched ones by g mujajati therefore simple the stone virgins yvonne vera 2004 02 14 winner of the macmillan prize for african adult fiction an uncompromising novel by one of africa s premiere writers detailing the

the wretched ones by g mujajati housing gov mv - Aug 28 2022

web the wretched ones by g mujajati the wretched ones the have nots a play zimbabwe may 12th 2018 the wretched ones the have nots a play zimbabwe writers george mujajati on amazon com free shipping on qualifying offers would cam newton buy stocks now wsj may 22nd 2018 hedge fund manager david tepper posed this

the wretched ones by g mujajati pdf pdf voto uncal edu - Oct 30 2022

web distractions however nestled within the lyrical pages of the wretched ones by g mujajati pdf a fascinating work of literary beauty that impulses with fresh feelings lies an unforgettable journey waiting to be embarked upon penned by way of a virtuoso wordsmith this enchanting opus courses readers

the wretched ones by g mujajati pdf pdf gccca eu - Jul 07 2023

web apr 3 2023 the wretched ones by g mujajati pdf right here we have countless ebook the wretched ones by g mujajati pdf and collections to check out we additionally present variant types and next type of the books to browse the pleasing book fiction history novel scientific research as with ease as various other sorts of books are readily

thewretchedonesbymujajati - May 25 2022

web the wretched ones by g mujajati pdf free red ortax the wretched ones by g mujajati pdf introduction the wretched ones by g mujajati pdf free the wretched ones george mujajati 1989 the book of not tsitsi dangarembga 2021 05 18 the powerful sequel to nervous conditions by the booker shortlisted author of this mournable body the book of not

read free the wretched ones by g mujajati read pdf free - Jul 27 2022

web the wretched ones by g mujajati is welcoming in our digital library an online entrance to it is set as public for that reason you can download it instantly our digital library saves in combined countries allowing you to get the most less

the wretched ones the have nots a play amazon co uk mujajati - May 05 2023

web buy the wretched ones the have nots a play by mujajati george isbn from amazon s book store everyday low prices and free delivery on eligible orders

the wretched ones by g mujajati secure4 khronos - Apr 04 2023

web ones by g mujajati in the course of them is this the wretched ones by g mujajati that can be your associate toto sakigami deadman wonderland wiki fandom powered the wretched spawn by cannibal corpse on amazon music the rockers a song by the wretched ones on spotify the wretched ones by g mujajati

the wretched ones by g mujajati download only stage gapinc - Feb 02 2023

web the wretched ones by g mujajati works maupassant g de gustave flaubert a study salammbô the wretched the wretched g evelyn hutchinson and the invention of modern ecology a remembrance of the wel employed life godly end of g fascoigne esq 1577 the wretched of the earth g harry agnew trials of reason an analysis

the wretched ones by g mujajati bespoke cityam - Jan 01 2023

web english and george mujajati s the wretched ones and clear in the department of english and communication at it s cold outside cue the trump global warming tweet one 2009 study found that the

mark twain s method of characterization cliffsnotes - Apr 28 2023

web many twain scholars believe that mark twain created the mysterious stranger due to many tragic events later in his life write out three events that you think motivated him to

historical guide to mark twain department of english - Jan 26 2023

web the crossword solver found 30 answers to mark twain s creation involved war yes 6 6 letters crossword clue the crossword solver finds answers to classic crosswords and

what is mark twain s writing style answered twinkl - Jun 30 2023

web the crossword solver found 30 answers to fictional creation of mark twain 15 letters crossword clue the crossword solver finds answers to classic crosswords and cryptic

mark twain s creation involved war yes 6 crossword clue - Nov 23 2022

web oct 26 2023 mark twain is the pen name of samuel clemens although the exact origins of the name are unknown it is worth noting that clemens operated riverboats and mark

mark twain quiz questions with answers mark twain trivia - May 18 2022

web we found one answer for the crossword clue mark twain creation are you looking for more answers or do you have a question for other crossword enthusiasts use the

life and works of mark twain britannica - Jun 18 2022

web we found 20 possible solutions for this clue we think the likely answer to this clue is sawyer you can easily improve your search by specifying the number of letters in the

fictional creation of mark twain crossword clue wordplays com - May 30 2023

web critical essay mark twain s method of characterization story character setting and plot are the main elements that combine to form a short story or a novel these elements

many twain scholars believe that mark twain created the - Feb 24 2023

web apr 3 2014 his answer the great american west heading out west in july 1861 twain climbed on board a stagecoach and headed for nevada and california where he would

mark twain creation answers pdf - Jan 14 2022

web the crossword solver found 30 answers to fictional creation of mark twain 217977 15 letters crossword clue the crossword solver finds answers to classic crosswords and

how mark twain s childhood influenced his literary - Mar 28 2023

web she is the co editor most recently of the chinese and the iron road building the transcontinental railroad stanford university press 2019 as well as listening to

mark twain quotes books real name biography - Dec 25 2022

web best answers for mark twain clemens deist americanhumor by crosswordsolver io refine the search results by specifying the number of letters if

fictional creation of mark twain 217977 crossword clue - Nov 11 2021

mark twain essays questions and answers q a gradesaver - Aug 21 2022

web mark twain orig samuel langhorne clemens born nov 30 1835 florida mo u s died april 21 1910 redding conn u s humorist writer and lecturer he grew

mark twain crossword clue answers crossword solver - Oct 23 2022

web jul 7 2021 using the second step of the sqr4 method q what would you do with a chapter title of reading strategies answers 1 asked by christian m 1112485 last

twain creation crossword clue wordplays com - Jul 20 2022

web dec 31 2022 mark twain quiz questions 1 what was mark twain s real name a eric arthur blair b michael marian morrison c james hadley chase d samuel langhorne

character created by mark twain 3 6 crossword clue - Dec 13 2021

twain creation crossword clue answers crossword solver - Apr 16 2022

web oct 6 2021 with more than twenty novels to his name many of them well received as well mark twain thus became an influential public figure and one of the greatest american

[mark twain creation crossword clue wordplays com](#) - Oct 03 2023

web the crossword solver found 30 answers to mark twain creation 15 letters crossword clue the crossword solver finds answers to classic crosswords and cryptic crossword

mark twain biography facts britannica - Sep 21 2022

web the crossword solver found 30 answers to twain creation 6 letters crossword clue the crossword solver finds answers to classic crosswords and cryptic crossword puzzles

[mark twain creation 1 answer crossword clues](#) - Mar 16 2022

web mark twain creation answers the reverend mark twain dec 31 2022 i was made in his image mark twain once said but have never been mistaken for him god may

mark twain questions and answers enotes com - Sep 02 2023

web multiple choice quizzes pdf downloads works lesson plans mark twain questions and answers what is the goal of mark twain s advice to youth the californian s

mark twain quotations creation - Aug 01 2023

web creation where was the use originally in rushing this whole globe through in six days it is likely that if more time had been taken in the first place the world would have been

mark twain biography achievements major works facts - Feb 12 2022

web the crossword solver found 30 answers to character created by mark twain 3 6 9 letters crossword clue the crossword solver finds answers to classic crosswords and

[easter bunny footprints free printable mom hacks 101](#) - Aug 02 2022

web footprints to make an easter paw print trail to easter baskets or to play an easter scavenger hunt game free printable easter bunny feet to make mess free rabbit prints leading to goodie filled easter baskets free printable easter bunny feet to make mess free rabbit prints leading to goodie filled easter baskets easter bunny footprint printable

printable easter bunny paw print template patternuniverse com - May 11 2023

web download the pattern terms of use free printable easter bunny paw print pattern cut out the shape and use it for coloring crafts stencils and more

[free printable easter bunny footprints for a hoppy easter morning](#) - Oct 04 2022

web bring some fun and magic to your easter morning by creating a bunny trail with these free templates and stencils for

printable easter bunny footprints if you want to fill your kids with excitement and make it look like the easter bunny is near a **easter bunny paw print template etsy** - Mar 29 2022

web check out our easter bunny paw print template selection for the very best in unique or custom handmade pieces from our templates shops

free printable easter bunny feet template simple made pretty - Sep 15 2023

web apr 6 2015 surprise the kids on easter morning by using these free printable easter bunny feet templates to create bunny toes through your home i made this bunny paw prints template using my cricut explore machine and i made bunny feet svg file with the free download below

free printable easter bunny footprints mom s plan it vacation - Aug 14 2023

web mar 18 2023 if you want to create a bunny trail with a set of four cute easter bunny footprints you ll want to check out our first easter bunny footprint template these paw prints are the perfect addition to a fun trail to the easter candy or easter eggs

printable easter bunny footprints homemade heather - Feb 08 2023

web mar 28 2023 simply download print and cut out these magical footprints today i m sharing a free printable template that can either be used to make cute easter bunny footprints or used as a stencil with baby powder to create rabbit paw prints for

free printable easter bunny footprint stencil cassie smallwood - Dec 06 2022

web place the easter bunny paw print stencil on the floor or wherever you want to make bunny tracks be sure to make it like a hopping pattern i ve made the stencil so you can make one set of bunny prints at a time sprinkle flour cornstarch powdered sugar or baby powder over the stencil

easter bunny paw prints free template diydetectives com - Sep 03 2022

web mar 14 2020 here s how we create our easter bunny paw prints and a few tips for you to do it too plus you can print off the free paw print template that makes it even easier how to make easter bunny paw prints

easter bunny paw prints free printable the classroom creative - Mar 09 2023

web apr 12 2014 easter bunny paw prints free printable april 12 2014 by karen whiteside easter bunny paw prints free printable to make the easter bunny feel genuine and seem like he really did stop by our house i drew up free printable rabbit feet these rabbit paw prints can be used in more than one way

free printable bunny footprints for easter mom hacks 101 - Oct 16 2023

web feb 28 2022 it is really easy to make these printable easter bunny footprints all you need is the template paper printer and scissors step 1 download and print out the free bunny feet template on heavy cardstock link at bottom of post step 2 cut

out the printable bunny paw prints

[free printable easter bunny footprints life is sweeter by design](#) - Jun 12 2023

web mar 6 2023 games it is amazing how a printable bunny feet template is able to do so much some fun ideas on how these easter bunny feet can be used for kid games or scavenger hunts

free printable easter bunny footprints clean eating with - Nov 05 2022

web apr 5 2020 you can print off as many as you like and have your easter bunny hopping all over your home bunny footprints printable delight your child this easter morning with strategically placed bunny prints

[20 free printable easter bunny templates mimosas motherhood](#) - Apr 29 2022

web nov 16 2022 download the free printable easter bunny templates 20 different easter bunny designs are ready to print with this file making this perfect to use as a an easter coloring book or set for a preschool classroom to use

easter bunny paw print patterns craftstarters com - Apr 10 2023

web easter bunny paw print outline patterns dxf eps pdf png and svg cut files home collections patterns easter bunny paw print patterns about our patterns our patterns can be used as templates for an endless variety of crafts including card making crafts for kids holiday decorations home decor stencils string art wood burning and cutting

easter bunny paw prints this ole mom - Jan 07 2023

web apr 11 2014 the prints are easy to clean up with a cloth and water whenever you ready for them to disappear additionally you can make these bunny paws on carpet use carpet powder then vacuum them away if you need a paw print template esty has several inexpensive paw print stencils you can buy

[easter bunny paw print template passion for savings](#) - Feb 25 2022

web february 9 2021 this post may contain affiliate links learn more 0 check out this easter bunny paw print template this is a fun and creative way for the easter bunny to pay a visit to your home leaving behind tracks for your children to see

printable easter bunny paw print template pinterest - Jul 01 2022

web free printable easter bunny paw print pattern cut out the shape and use it for coloring crafts stencils and more

free printable easter bunny footprints free family printables - Jul 13 2023

web mar 20 2023 keep the easter fun alive by using the free printable easter bunny footprints as a stencil template simply cut out the holes for the pads of the easter bunny s paws and sprinkle flour or baby powder to create the paw prints you can also use the templates to make your own footprint art using sidewalk chalk to create a bunny trail

free printable easter bunny footprints diy easter bunny tracks - May 31 2022

web oct 2 2023 print out the easter bunny footprints template i recommend printing on cardstock to make the template a bit more durable and then you can keep it for years to come cut around the paw pads and paw prints with scissors and leave the

rest of the paper intact it will make it easier when adding the flour