

FOUR THREAD OVERLOCK UPPER LOOPER THREADING

Open front cover. Raise the presser foot.

Bring the upper looper to its highest position by turning the handwheel toward you. Pull thread from spool and lay it into slot (1) on the top of the thread stand (front to back) dropping the thread over the back. The end of the thread will come back to the front automatically because of the twist in the thread guides on the top of the thread stand.

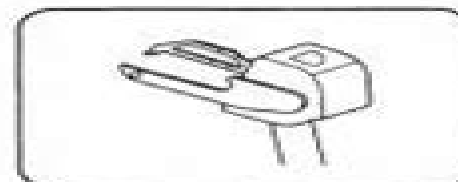
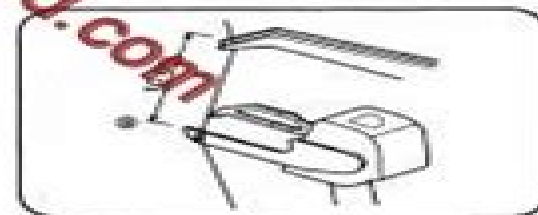
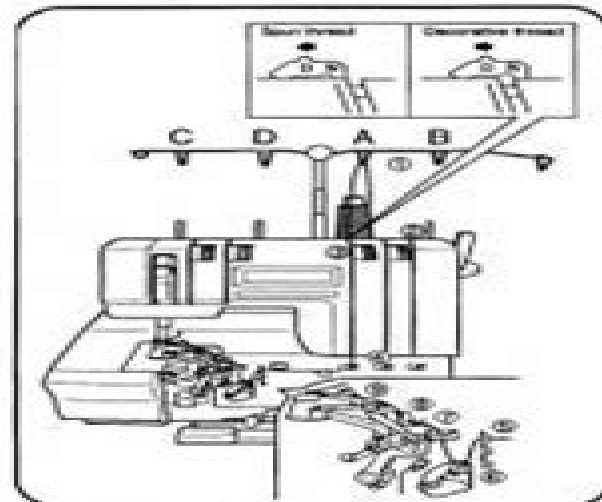
Next, bring thread down and snap into thread clip guide (2). It is easiest to snap into clip by pulling thread toward back and front of Huskylock at the same time (like flossing) until the thread snaps into place.
NOTE: Use decorative thread guides instead of thread clip guides when using heavy or decorative threads.

With the presser foot raised to release thread tensions, lay thread between thread tension discs (3). Be sure thread is seeded all the way into the tension discs by snapping into discs.

Continue to thread in order, through guides as illustrated to right and inside front cover of your Huskylock.

Thread the eye of the Upper Looper (4) using the tweezers provided. Pull a 4" - 5" (10cm) thread tail out. Bring thread tail under foot and toward back left corner of Huskylock.

NOTE: For all sewing except two-thread sewing, set the 2-thread converter as illustrated to right.



Husqvarna Huskylock 936 Threading Guide

F Rizvi



Husqvarna Huskylock 936 Threading Guide:

Immerse yourself in the artistry of words with is expressive creation, Immerse Yourself in **Husqvarna Huskylock 936 Threading Guide** . This ebook, presented in a PDF format (*), is a masterpiece that goes beyond conventional storytelling. Indulge your senses in prose, poetry, and knowledge. Download now to let the beauty of literature and artistry envelop your mind in a unique and expressive way.

<https://staging.conocer.cide.edu/book/book-search/Documents/Memo%20Pratical%20Life%20Science%20Grade11%20Nov2014.pdf>

Table of Contents Husqvarna Huskylock 936 Threading Guide

1. Understanding the eBook Husqvarna Huskylock 936 Threading Guide
 - The Rise of Digital Reading Husqvarna Huskylock 936 Threading Guide
 - Advantages of eBooks Over Traditional Books
2. Identifying Husqvarna Huskylock 936 Threading Guide
 - Exploring Different Genres
 - Considering Fiction vs. Non-Fiction
 - Determining Your Reading Goals
3. Choosing the Right eBook Platform
 - Popular eBook Platforms
 - Features to Look for in an Husqvarna Huskylock 936 Threading Guide
 - User-Friendly Interface
4. Exploring eBook Recommendations from Husqvarna Huskylock 936 Threading Guide
 - Personalized Recommendations
 - Husqvarna Huskylock 936 Threading Guide User Reviews and Ratings
 - Husqvarna Huskylock 936 Threading Guide and Bestseller Lists
5. Accessing Husqvarna Huskylock 936 Threading Guide Free and Paid eBooks
 - Husqvarna Huskylock 936 Threading Guide Public Domain eBooks
 - Husqvarna Huskylock 936 Threading Guide eBook Subscription Services

- Husqvarna Huskylock 936 Threading Guide Budget-Friendly Options
- 6. Navigating Husqvarna Huskylock 936 Threading Guide eBook Formats
 - ePub, PDF, MOBI, and More
 - Husqvarna Huskylock 936 Threading Guide Compatibility with Devices
 - Husqvarna Huskylock 936 Threading Guide Enhanced eBook Features
- 7. Enhancing Your Reading Experience
 - Adjustable Fonts and Text Sizes of Husqvarna Huskylock 936 Threading Guide
 - Highlighting and Note-Taking Husqvarna Huskylock 936 Threading Guide
 - Interactive Elements Husqvarna Huskylock 936 Threading Guide
- 8. Staying Engaged with Husqvarna Huskylock 936 Threading Guide
 - Joining Online Reading Communities
 - Participating in Virtual Book Clubs
 - Following Authors and Publishers Husqvarna Huskylock 936 Threading Guide
- 9. Balancing eBooks and Physical Books Husqvarna Huskylock 936 Threading Guide
 - Benefits of a Digital Library
 - Creating a Diverse Reading Collection Husqvarna Huskylock 936 Threading Guide
- 10. Overcoming Reading Challenges
 - Dealing with Digital Eye Strain
 - Minimizing Distractions
 - Managing Screen Time
- 11. Cultivating a Reading Routine Husqvarna Huskylock 936 Threading Guide
 - Setting Reading Goals Husqvarna Huskylock 936 Threading Guide
 - Carving Out Dedicated Reading Time
- 12. Sourcing Reliable Information of Husqvarna Huskylock 936 Threading Guide
 - Fact-Checking eBook Content of Husqvarna Huskylock 936 Threading Guide
 - Distinguishing Credible Sources
- 13. Promoting Lifelong Learning
 - Utilizing eBooks for Skill Development
 - Exploring Educational eBooks
- 14. Embracing eBook Trends

- Integration of Multimedia Elements
- Interactive and Gamified eBooks

Husqvarna Huskylock 936 Threading Guide Introduction

In today's digital age, the availability of Husqvarna Huskylock 936 Threading Guide books and manuals for download has revolutionized the way we access information. Gone are the days of physically flipping through pages and carrying heavy textbooks or manuals. With just a few clicks, we can now access a wealth of knowledge from the comfort of our own homes or on the go. This article will explore the advantages of Husqvarna Huskylock 936 Threading Guide books and manuals for download, along with some popular platforms that offer these resources. One of the significant advantages of Husqvarna Huskylock 936 Threading Guide books and manuals for download is the cost-saving aspect. Traditional books and manuals can be costly, especially if you need to purchase several of them for educational or professional purposes. By accessing Husqvarna Huskylock 936 Threading Guide versions, you eliminate the need to spend money on physical copies. This not only saves you money but also reduces the environmental impact associated with book production and transportation.

Furthermore, Husqvarna Huskylock 936 Threading Guide books and manuals for download are incredibly convenient. With just a computer or smartphone and an internet connection, you can access a vast library of resources on any subject imaginable. Whether you're a student looking for textbooks, a professional seeking industry-specific manuals, or someone interested in self-improvement, these digital resources provide an efficient and accessible means of acquiring knowledge. Moreover, PDF books and manuals offer a range of benefits compared to other digital formats. PDF files are designed to retain their formatting regardless of the device used to open them. This ensures that the content appears exactly as intended by the author, with no loss of formatting or missing graphics. Additionally, PDF files can be easily annotated, bookmarked, and searched for specific terms, making them highly practical for studying or referencing. When it comes to accessing Husqvarna Huskylock 936 Threading Guide books and manuals, several platforms offer an extensive collection of resources. One such platform is Project Gutenberg, a nonprofit organization that provides over 60,000 free eBooks. These books are primarily in the public domain, meaning they can be freely distributed and downloaded. Project Gutenberg offers a wide range of classic literature, making it an excellent resource for literature enthusiasts. Another popular platform for Husqvarna Huskylock 936 Threading Guide books and manuals is Open Library. Open Library is an initiative of the Internet Archive, a non-profit organization dedicated to digitizing cultural artifacts and making them accessible to the public. Open Library hosts millions of books, including both public domain works and contemporary titles. It also allows users to borrow digital copies of certain books for a limited period, similar to a library lending system. Additionally, many universities and educational institutions have their own digital libraries that provide free access to PDF books and manuals. These libraries often offer

academic texts, research papers, and technical manuals, making them invaluable resources for students and researchers. Some notable examples include MIT OpenCourseWare, which offers free access to course materials from the Massachusetts Institute of Technology, and the Digital Public Library of America, which provides a vast collection of digitized books and historical documents. In conclusion, Husqvarna Huskylock 936 Threading Guide books and manuals for download have transformed the way we access information. They provide a cost-effective and convenient means of acquiring knowledge, offering the ability to access a vast library of resources at our fingertips. With platforms like Project Gutenberg, Open Library, and various digital libraries offered by educational institutions, we have access to an ever-expanding collection of books and manuals. Whether for educational, professional, or personal purposes, these digital resources serve as valuable tools for continuous learning and self-improvement. So why not take advantage of the vast world of Husqvarna Huskylock 936 Threading Guide books and manuals for download and embark on your journey of knowledge?

FAQs About Husqvarna Huskylock 936 Threading Guide Books

How do I know which eBook platform is the best for me? Finding the best eBook platform depends on your reading preferences and device compatibility. Research different platforms, read user reviews, and explore their features before making a choice. Are free eBooks of good quality? Yes, many reputable platforms offer high-quality free eBooks, including classics and public domain works. However, make sure to verify the source to ensure the eBook credibility. Can I read eBooks without an eReader? Absolutely! Most eBook platforms offer web-based readers or mobile apps that allow you to read eBooks on your computer, tablet, or smartphone. How do I avoid digital eye strain while reading eBooks? To prevent digital eye strain, take regular breaks, adjust the font size and background color, and ensure proper lighting while reading eBooks. What the advantage of interactive eBooks? Interactive eBooks incorporate multimedia elements, quizzes, and activities, enhancing the reader engagement and providing a more immersive learning experience. Husqvarna Huskylock 936 Threading Guide is one of the best book in our library for free trial. We provide copy of Husqvarna Huskylock 936 Threading Guide in digital format, so the resources that you find are reliable. There are also many Ebooks of related with Husqvarna Huskylock 936 Threading Guide. Where to download Husqvarna Huskylock 936 Threading Guide online for free? Are you looking for Husqvarna Huskylock 936 Threading Guide PDF? This is definitely going to save you time and cash in something you should think about.

Find Husqvarna Huskylock 936 Threading Guide :

memo practical life science grade11 nov2014

memes funniest memes compilation on the internet english edition

memorandum of economics september 2014 grade 11 gauteng

memorandum mathematics p1 grade 11 november 2013

memorandum of mathematics paper2014 term4

memoir checklist calkins

memorandum of geography mapwork grade 11 2015 june

memorandum of gradetourism pat 2014

memo paper physical science grade 12 september 2014

meiosis practical grade 1e

memorandum november 2013 chemistry grade10

membrane structure and function worksheet answers

memoirs 1630 1680

memorandum of economics grade 1september 2014 24

memo maths grade 11 term4

Husqvarna Huskylock 936 Threading Guide :

42 free company business profile templates word pdf ai - Aug 06 2022

web list your business on google with a free business profile formerly google my business turn people who find you on search maps into new customers

what is a customer profile guide examples and templates - Jun 04 2022

web transcription of business profile example type of business contact 1 business profile example type of business corner store service station deli

business profile example type of business contact - Oct 28 2021

effective business profile examples with definition indeed - Apr 14 2023

web jul 28 2023 indeed editorial team updated july 28 2023 a company profile can show investors and stakeholders the value of a company along with its mission goals and

best small business company profile example to - Nov 09 2022

web apr 7 2023 corporate customer profile template powerpoint google slides this template allows you to list a professional overview of your ideal customer as well as

professional business contact list template excel - Jan 31 2022

how to write a company profile plus samples and - Jun 16 2023

web jun 24 2022 3 effective business profile examples here are some examples of effective business profiles you can use to help you write your own 1 basic business profile

10 easy steps to creating a customer profile templates - May 03 2022

how to write a business profile 10 steps with pictures - Mar 13 2023

web if the company profile is being created for the business website then it must be carefully structured so that users will find all the important information like company address

what is a business profile how to make one practice - Jul 05 2022

web 2 start with the basic contact information do not complicate your life and just start with the basic contact information such as the full name of the person the address the

contact list 10 examples format pdf examples - Nov 28 2021

the 6 best company profile examples starting business - May 15 2023

web updated 11 september 2023 a company profile informs readers about the specifics of the company when a business profile outlines its mission goals and performance

10 creative company profile examples to inspire you - Aug 18 2023

web jul 17 2023 the 8 best company profile examples that stand out in 2023 template marketing sales service leadership hubspot subscribe when writing your company

business profile example type of business contact - Apr 02 2022

10 examples of company profile pages you can learn - Feb 12 2023

web a company profile template is an already made profile that can be customized to match the needs of your business there are different types of company profile templates that

the 8 best company profile examples that stand out in - Jul 17 2023

web jun 29 2023 1 the business details it s called a corporate profile for a reason company or business profile content should pull double duty as an easy to

business profile example type of business contact - Mar 01 2022

company profile examples make a powerful impact udemy blog - Oct 08 2022

web transcription of business profile example type of business contact 1 business profile example type of business corner store service station deli

google business profile get listed on google - Dec 30 2021

how to design a business profile template with - Sep 19 2023

this template is for a basic company profile business profile company name company logo company image main company contact information business contact information business name dba doing business as if needed business structure or type telephone number s see more

free 14 business profile samples in pdf sample - Sep 07 2022

web transcription of business profile example type of business contact 1 business profile example type of business corner store service station deli

business profile template and how to write a profile - Jan 11 2023

web feb 28 2023 read business profile examples check out the about pages of your favorite brands for business profile inspiration for instance starbucks provides a

how to create a company profile in 10 steps with - Dec 10 2022

web aug 21 2023 there are two business types of customer profiles business to business b2b and business to customer b2c the data you collect for client profiles will vary

le prime 1000 parole italiane con esercizi livello elementare pre - Nov 22 2022

web anche gli esercizi che completano il volume seguono criteri di gradualità e di frequenza utilizzando solo ed esclusivamente le prime 1000 parole italiane e facilitandone di conseguenza il processo di apprendimento e memorizzazione il testo è fornito di chiavi e può essere usato sia in classe con l insegnante che in autoapprendimento

le prime 3000 parole italiane con esercizi livello intermedio - May 29 2023

web le prime 3000 parole italiane con esercizi livello intermedio avanzato Übungsbuch le prime parole tartaglione roberto isbn 9783190353637 kostenloser versand für alle bücher mit versand und verkauf duch amazon

le prime 3000 parole alma edizioni italiano per stranieri - Sep 01 2023

web le prime 3000 parole autori roberto tartaglione livello b1 b2 anteprime indice e introduzione lista esercizi lessico esercizi grammatica il primo libro che raggruppa scientificamente le 3000 parole italiane più utili e frequenti selezionate in base alle esigenze di uno studente straniero

le prime 3000 parole italiane con esercizi livello intermedio - Feb 23 2023

web denna artikel le prime 3000 parole italiane con esercizi livello intermedio avanzato Übungsbuch 233 07kr 233 07 kr endast 8 kvar i lager fler är på väg fraktas och säljs av amazon i verbi italiani grammatica esercizi e giochi i verbi italiani grammatica esercizi giochi

le prime parole italiane con esercizi le prime 3000 parole - Oct 02 2023

web jan 31 2022 using an innovative method this handbook scientifically combines the 3000 most frequent italian words carefully selected to suit the needs of students of italian as a foreign language the book includes varied exercise selections with an answer key and helpful summary tables perfect for independent study as well as for use in the classroom

le prime 1000 parole italiane con esercizi livell - Jun 17 2022

web getting the books le prime 1000 parole italiane con esercizi livell now is not type of challenging means you could not unaided going taking into account book accretion or library or borrowing from your contacts to get into them this is an completely simple means to specifically get lead by on line this online broadcast le prime 1000 parole

le prime 3000 parole italiane con esercizi livell pdf wrbb neu - Jul 19 2022

web 4 le prime 3000 parole italiane con esercizi livell 2020 04 29 society of the spectacle that used symbols rituals and a cult of the leader to create itself as it unfolded is a brilliant stroke walter l adamson author of avant garde florence from modernism to fascism le prime 3000 parole italiane con esercizi youcanprint an ideal

le prime 1000 parole italiane con esercizi livell 2023 webmail - Apr 15 2022

web le prime 3000 parole italiane con esercizi the boundaries of europe talk italian grammar rivista tecnica d elettricità e delle invenzioni my 100 first italian words 4 le prime 1000 parole italiane con esercizi livell 2022 01 19 station that leads to her mother who is mired in her own solitude after her husband s untimely death among those

le prime 1000 parole italiane con esercizi livell 2022 2013 - Oct 22 2022

web le prime 1000 parole italiane con esercizi livell dante e le origin lingua e della letteratura italiana my first book of spanish words rivista tecnica d elettricità e delle invenzioni a woman the boundaries of europe the university of mantua the gonzaga and the jesuits 1584 1630 where angels fear to tread illustrated my 100 first italian

le prime 1000 parole italiane con esercizi livello elementare - Mar 15 2022

web książka le prime 1000 parole italiane con esercizi livello elementare pre intermedio Übungsbuch autorstwa tartaglione roberto dostępna w sklepie empik com w cenie 91 91 zł przeczytaj recenzję le prime 1000 parole italiane con esercizi livello

elementare pre intermedio Übungsbuch zamów dostawę do dowolnego salonu i zapłać przy odbiorze

le prime 3000 parole italiane ВКонтакте - Jan 25 2023

web anche gli esercizi che completano il volume seguono criteri di gradualità e di frequenza utilizzando solo ed esclusivamente le prime 3000 parole italiane e facilitandone di conseguenza il processo di apprendimento e memorizzazione il testo è fornito di chiavi e può essere usato sia in classe con l insegnante che in autoapprendimento

le prime 1000 parole italiane con esercizi livello elementare - Feb 11 2022

web con esercizi le prime 1000 parole italiane con ese roberto tartaglione 4 2 su 5 stelle 21 copertina flessibile 5 offerte da 6 00 le prime 3000 parole italiane con esercizi roberto tartaglione

le prime 3000 parole italiane con esercizi livello intermedio - Apr 27 2023

web le prime 3000 parole italiane con esercizi livello intermedio avanzato Übungsbuch copertina flessibile 1 aprile 2018 di roberto tartaglione autore 31 voti visualizza tutti i formati ed edizioni copertina flessibile 19 44 altro nuovo eusato da 15 31

le prime 3000 parole italiane con esercizi livell 2023 - Jun 29 2023

web le prime 3000 parole italiane con esercizi livell italian made simple cristina mazzoni 2013 01 23 whether you are planning a romantic italian getaway packing a knapsack for your junior year abroad or just want to engage your italian business associate in everyday conversation italian made simple is the perfect book for any self learner

le prime 3000 parole italiane con esercizi livello intermedio - Dec 24 2022

web apr 1 2018 le prime 3000 parole italiane con esercizi livello intermedio avanzato uebungsbuch 2018 4 1 roberto tartaglione 29 3 421 6 020 2 2 861 10 144 hueber verlag gmbh 2018 4 1 19 2 x 1 2 x 26 4

le prime 3000 parole italiane con esercizi livello intermedio - Jul 31 2023

web le prime 3000 parole italiane con esercizi livello intermedio avanzato Übungsbuch le prime parole tartaglione roberto amazon com tr kitap Çerez tercihlerinizi seçin Çerez bildirimimizde ayrıntılı şekilde açıklandığı üzere alışveriş yapmanızı sağlamak alışveriş deneyiminizi iyileştirmek ve hizmetlerimizi

le prime 1000 parole italiane con esercizi livell dev awamaki - May 17 2022

web le prime 3000 parole italiane con esercizi rivista tecnica d elettricità e delle invenzioni 4 le prime 1000 parole italiane con esercizi livell 2023 06 17 and to the train station that leads to her mother who is mired in her own solitude after her husband s untimely death among those who

le prime 1000 parole italiane con esercizi livello elementare - Sep 20 2022

web le prime 1000 parole italiane con esercizi livello elementare pre intermedio Übungsbuch von roberto tartaglione

le prime 3000 parole italiane con esercizi livell pdf - Aug 20 2022

web 2 le prime 3000 parole italiane con esercizi livell 2023 02 27 the main objective of public procurement regulation is to provide a government with the supplies and works it needs to operate this primary objective is connected to the principle of value for money and for the european union with the aim of ensuring the

le prime 3000 parole italiane con esercizi b1 b2 italiano bello - Mar 27 2023

web le prime 3000 parole italiane con esercizi b1 b2 alma edizioni italiano bello shop die 3000 nützlichsten und häufigsten italienischen wörter zusammengefasst le prime 3000 parole italiane con esercizi b1 b2 alma edizioni italiano

amazon de kundenrezensionen ich komme mit roman - Dec 08 2022

web der roman ich komme mit von angelika waldis handelt von der älteren einsamen dame vita die alleine wohnt und deren sohn weit weg in australien lebt und lazy ein student der im gleichen haus wohnt und schwer krank ist

ich komme mit roman waldis angelika amazon com tr - Jul 15 2023

web ich komme mit roman waldis angelika amazon com tr Çerez tercihlerinizi seçin alışveriş deneyiminizi geliştirmek hizmetlerimizi sunmak müşterilerin hizmetlerimizi nasıl kullandığını anlayarak iyileştirmeler yapabilmek ve tanıtımları gösterebilmek için çerezler ve benzeri araçları kullanmaktayız

Übersetzung für ich komme im italienisch reverso context - Dec 28 2021

web Übersetzung für ich komme im italienisch vengo arrivo torno verrò sto arrivando posso provengo passo riesco sarò mehr anzeigen sobald ich komme um von euren problemen zu wissen kann meine aufmerksamkeit arbeiten non appena vengo a sapere dei vostri problemi la mia attenzione può risolverli ok und ich komme mit ok bene vengo

ich komme mit roman waldis angelika amazon com be boeken - Jun 02 2022

web selecteer de afdeling waarin je wilt zoeken

ich komme mit von angelika waldis ebook thalia - Mar 11 2023

web im treppenhaus liest vita einen mageren erschöpften lazy auf und nimmt ihn zu sich um ihn mit wurstbrot aufzupäppeln eine ungewöhnliche lustige und seltsam innige freundschaft entsteht dann kommt der tag an dem ein neues blutbild die zuversicht kaputt macht ich steige aus sagt lazy ich komme mit sagt vita

ich komme mit roman by angelika waldis is available in these - Feb 27 2022

web seit 42 jahren wohnt vita maier in dem haus in der torstraße 6 als junge mutter ist sie hier eingezogen doch längst ist der sohn aus dem haus der mann unter der erde für ihren nachbarn den studenten lazy ist vita die alte von oben denn für

ich komme mit roman waldis angelika amazon de books - Feb 10 2023

web angelika waldis erzählt in ich komme mit eine ungewöhnliche freundschafts und lebensgeschichte die den wert aber auch die tragik des lebens zeigt vita wohnt seit über vierzig jahren in ihrer wohnung in der torstraße hat dutzende mieter kommen und gehen sehen hat erlebt wie sich ihr viertel langsam wandelt während ihr leben in

ich komme mit roman lovelybooks - Apr 12 2023

web leben jeden tag wieder neu ich komme mit ist die geschichte der freundschaft zwischen der alten dame vita und dem jungen mann lazy sie haben zunächst nichts weiter gemeinsam als im selben haus zu wohnen später haben sie gemeinsam völlig allein auf der welt zu sein und keine nahestehenden personen zu haben

ich komme mit lesejury - Oct 06 2022

web aug 27 2018 da sich das intellektuelle vergnügen und das mit leid in angelika waldis roman auf derart kongeniale weise die waage halten liegt uns mit ich komme mit ein bis ins innerste bewegender roman vor der zu tiefgehenden erkenntnissen führt und in seiner einzigartigkeit seinesgleichen vergeblich suchen wird

suchergebnis auf amazon de für ich komme roman - Jan 29 2022

web suchergebnis auf amazon de für ich komme roman zum hauptinhalt wechseln de lieferung an kassel 34117 melde dich an um deinen standort zu aktualisieren alle wähle die kategorie aus in der du suchen möchtest suche amazon de de hallo anmelden

ich komme mit roman ebook waldis angelika amazon de - May 13 2023

web angelika waldis erzählt in ich komme mit eine ungewöhnliche freundschafts und lebensgeschichte die den wert aber auch die tragik des lebens zeigt vita wohnt seit über vierzig jahren in ihrer wohnung in der torstraße hat dutzende mieter kommen und gehen sehen hat erlebt wie sich ihr viertel langsam wandelt während ihr leben in

ich komme mit roman waldis angelika amazon de bücher - Aug 16 2023

web ich komme mit roman waldis angelika isbn 9783336547975 kostenloser versand für alle bücher mit versand und verkauf duch amazon

ich komme mit roman von angelika waldis whatchareadin - May 01 2022

web oct 11 2018 inhaltsangabe zu ich komme mit roman buch mit leinen einband das leben ist ein geschenk man kann s nur einmal auspacken wie die alte vita und der kranke lazy über das leben philosophieren und dabei zu freunden werden seit 42 jahren wohnt vita maier in dem haus in der torstraße 6 als junge mutter ist sie hier eingezogen

angelika waldis ich komme mit roman - Aug 04 2022

web ein angerissenes ohr nach einer schlägerei im internat elsie will kein licht wenn wir uns lieben wo ist denn hier der eingang sag ich und suche sie mit dem mund ab und lande in der kniekehle sie lacht und sagt such weiter und wenn meine zunge die tür aufmacht wird sie still

ich komme mit roman angelika waldis - Jun 14 2023

web ich komme mit tausend zeichen marktplatz der heimlichkeiten so fängt es an einer zu viel die geheimen leben der schneiderin verschwinden der anfang der erzählung als zett verschwand leseprobe aus der erzählung auf und davon eine von

vierzehn geschichten eine zweite von vierzehn geschichten

ich komme mit roman by angelika waldis overdrive - Nov 07 2022

web aug 27 2018 ich komme mit roman ebook by angelika waldis read a sample format ebook isbn 9783442489688 author angelika waldis publisher 27 august 2018 find this title in libby the library reading app by overdrive search for a digital library with this title title found at these libraries sorry no libraries found please try searching again

ich komme mit roman waldis angelika amazon com be boeken - Sep 05 2022

web ich komme mit sagt vita und so begeben sich zwei lebensmüde auf eine verrückte letzte reise liebevoll ausgestattete ausgabe mit leinenrücken und lesebändchen

ich komme mit roman by angelika waldis books on google play - Jan 09 2023

web ich komme mit roman ebook written by angelika waldis read this book using google play books app on your pc android ios devices download for offline reading highlight bookmark or take

ich komme mit roman angelika waldis google books - Jul 03 2022

web im treppenhaus liest vita einen mageren erschöpften lazy auf und nimmt ihn zu sich um ihn mit wurstbrot aufzupäppeln eine ungewöhnliche lustige und seltsam innige freundschaft entsteht

ich komme mit roman buch gebraucht antiquarisch neu kaufen - Mar 31 2022

web ich komme mit roman bücher gebraucht antiquarisch neu kaufen preisvergleich käuferschutz wir bücher