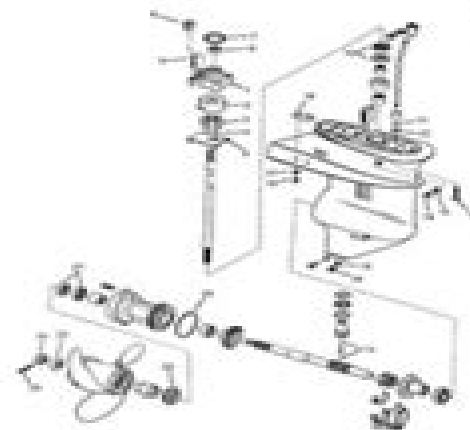




COMPACT
disc
DATA STORAGE



MERCURY - MERCRUISER MARINE D-TRONIC 7.3L DIESEL 1998 - 2002 SERVICE MANUAL

PROFESSIONAL / COMMERCIAL EDITION



Mercury 7.3 D Tronic Manual

Rachel S Tattersall



MerCruiser 7 3 D Tronic Manual:

The Rudder ,1976 MerCruiser Service Manual Number 3 ,1988 **MerCruiser Service Manual, Number 11** ,1998 **MerCruiser Service Manual Outline** Marine Mercury, **MerCruiser Stern Drive Shop Manual** Penton Staff,2000-05-24 3 0 L 4 3 L 5 0 L 5 7 L 7 4 L 8 2 L 350 Magnum 454 Magnum 502 Magnum **MerCruiser Stern Drive Shop Manual 1998-2004** Penton Staff,2000-05-24 MerCruiser Alpha One 1998 2004 MerCruiser Bravo One 1998 2004 MerCruiser Bravo Two 1998 2004 MerCruiser Bravo Three 1998 2004 Engines 1998 2004 3 0 L 1998 2004 4 3 L 1998 2004 5 0 L 1998 2004 5 7 L 1998 2004 350 Mag 1998 2004 *MerCruiser Stern Drive Shop Manual 1998-2013* Editors of Clymer Manuals,2015-08-15 Stern Drives MerCruiser Alpha One 1998 2013 MerCruiser Bravo One 1998 2013 MerCruiser Bravo Two 1998 2013 MerCruiser Bravo Three 1998 2013 Engines 1998 2013 3 0 L 1998 2013 4 3 L 1998 2013 5 0 L 1998 2013 5 7 L 1998 2013 350 Mag 1998 2013 MX 6 2 L 1998 2013 454 Mag 1998 2013 502 Mag 1998 2013 496 Mag 1998 2013 496 Mag HO 1998 2013 7 4 L MPI 1998 2013 TROUBLESHOOTING LUBRICATION MAINTENANCE AND TUNE UP ENGINE TOP END ENGINE LOWER END CLUTCH AND EXTERNAL SHIFT MECHANISM TRANSMISSION AND INTERNAL SHIFT MECHANISM FUEL EMISSION CONTROL AND EXHAUST SYSTEMS ELECTRICAL SYSTEM COOLING SYSTEM WHEELS TIRES AND DRIVE CHAIN FRONT SUSPENSION AND STEERING REAR SUSPENSION BRAKES BODY AND FRAME COLOR WIRING DIAGRAMS MerCruiser Service Manual, Number 16 ,1996 **Mercury Marine Service Manual** ,1978* Audels Diesel Engine Manual Perry O. Black,1968 **MerCruiser Stern Drive Units and Marine Engines** ,1989 MerCruiser Service Manual, Number 17 ,1996 *MerCruiser Stern Drive Units and Marine Engines* Brunswick Corporation. Mercury Marine,Clymer Publications,197? **MerCruiser Service Manual Number 11** ,1994 **MerCruiser Service Manual** ,1980 **Farymann Marine Diesel Engine** Farymann,2013-01 Reprint of the official service manual for Farymann marine diesel engines A30 A40 P30 K30 L30 R30 and S30 **MerCruiser Service Manual, Number 13** ,1995 **Repair Manual for 3 Cylinder Water-cooled Diesel Engines** Briggs & Stratton Corporation,1996

As recognized, adventure as competently as experience practically lesson, amusement, as skillfully as bargain can be gotten by just checking out a book **Mercuriser 7 3 D Tronic Manual** moreover it is not directly done, you could assume even more concerning this life, a propos the world.

We present you this proper as with ease as simple artifice to get those all. We present Mercuriser 7 3 D Tronic Manual and numerous book collections from fictions to scientific research in any way. among them is this Mercuriser 7 3 D Tronic Manual that can be your partner.

<https://staging.conocer.cide.edu/book/publication/Documents/few%20practical%20questions%20and%20answers%20for%20engineers%20and%20scientists.pdf>

Table of Contents Mercuriser 7 3 D Tronic Manual

1. Understanding the eBook Mercuriser 7 3 D Tronic Manual
 - The Rise of Digital Reading Mercuriser 7 3 D Tronic Manual
 - Advantages of eBooks Over Traditional Books
2. Identifying Mercuriser 7 3 D Tronic Manual
 - Exploring Different Genres
 - Considering Fiction vs. Non-Fiction
 - Determining Your Reading Goals
3. Choosing the Right eBook Platform
 - Popular eBook Platforms
 - Features to Look for in an Mercuriser 7 3 D Tronic Manual
 - User-Friendly Interface
4. Exploring eBook Recommendations from Mercuriser 7 3 D Tronic Manual
 - Personalized Recommendations
 - Mercuriser 7 3 D Tronic Manual User Reviews and Ratings
 - Mercuriser 7 3 D Tronic Manual and Bestseller Lists

5. Accessing Mercuriser 7 3 D Tronic Manual Free and Paid eBooks
 - Mercuriser 7 3 D Tronic Manual Public Domain eBooks
 - Mercuriser 7 3 D Tronic Manual eBook Subscription Services
 - Mercuriser 7 3 D Tronic Manual Budget-Friendly Options
6. Navigating Mercuriser 7 3 D Tronic Manual eBook Formats
 - ePub, PDF, MOBI, and More
 - Mercuriser 7 3 D Tronic Manual Compatibility with Devices
 - Mercuriser 7 3 D Tronic Manual Enhanced eBook Features
7. Enhancing Your Reading Experience
 - Adjustable Fonts and Text Sizes of Mercuriser 7 3 D Tronic Manual
 - Highlighting and Note-Taking Mercuriser 7 3 D Tronic Manual
 - Interactive Elements Mercuriser 7 3 D Tronic Manual
8. Staying Engaged with Mercuriser 7 3 D Tronic Manual
 - Joining Online Reading Communities
 - Participating in Virtual Book Clubs
 - Following Authors and Publishers Mercuriser 7 3 D Tronic Manual
9. Balancing eBooks and Physical Books Mercuriser 7 3 D Tronic Manual
 - Benefits of a Digital Library
 - Creating a Diverse Reading Collection Mercuriser 7 3 D Tronic Manual
10. Overcoming Reading Challenges
 - Dealing with Digital Eye Strain
 - Minimizing Distractions
 - Managing Screen Time
11. Cultivating a Reading Routine Mercuriser 7 3 D Tronic Manual
 - Setting Reading Goals Mercuriser 7 3 D Tronic Manual
 - Carving Out Dedicated Reading Time
12. Sourcing Reliable Information of Mercuriser 7 3 D Tronic Manual
 - Fact-Checking eBook Content of Mercuriser 7 3 D Tronic Manual
 - Distinguishing Credible Sources
13. Promoting Lifelong Learning

- Utilizing eBooks for Skill Development
 - Exploring Educational eBooks
14. Embracing eBook Trends
- Integration of Multimedia Elements
 - Interactive and Gamified eBooks

Mercuriser 7 3 D Tronic Manual Introduction

In today's digital age, the availability of Mercuriser 7 3 D Tronic Manual books and manuals for download has revolutionized the way we access information. Gone are the days of physically flipping through pages and carrying heavy textbooks or manuals. With just a few clicks, we can now access a wealth of knowledge from the comfort of our own homes or on the go. This article will explore the advantages of Mercuriser 7 3 D Tronic Manual books and manuals for download, along with some popular platforms that offer these resources. One of the significant advantages of Mercuriser 7 3 D Tronic Manual books and manuals for download is the cost-saving aspect. Traditional books and manuals can be costly, especially if you need to purchase several of them for educational or professional purposes. By accessing Mercuriser 7 3 D Tronic Manual versions, you eliminate the need to spend money on physical copies. This not only saves you money but also reduces the environmental impact associated with book production and transportation. Furthermore, Mercuriser 7 3 D Tronic Manual books and manuals for download are incredibly convenient. With just a computer or smartphone and an internet connection, you can access a vast library of resources on any subject imaginable. Whether you're a student looking for textbooks, a professional seeking industry-specific manuals, or someone interested in self-improvement, these digital resources provide an efficient and accessible means of acquiring knowledge. Moreover, PDF books and manuals offer a range of benefits compared to other digital formats. PDF files are designed to retain their formatting regardless of the device used to open them. This ensures that the content appears exactly as intended by the author, with no loss of formatting or missing graphics. Additionally, PDF files can be easily annotated, bookmarked, and searched for specific terms, making them highly practical for studying or referencing. When it comes to accessing Mercuriser 7 3 D Tronic Manual books and manuals, several platforms offer an extensive collection of resources. One such platform is Project Gutenberg, a nonprofit organization that provides over 60,000 free eBooks. These books are primarily in the public domain, meaning they can be freely distributed and downloaded. Project Gutenberg offers a wide range of classic literature, making it an excellent resource for literature enthusiasts. Another popular platform for Mercuriser 7 3 D Tronic Manual books and manuals is Open Library. Open Library is an initiative of the Internet Archive, a non-profit organization dedicated to digitizing cultural artifacts and making them accessible to the public. Open Library hosts millions of books, including both public domain works and contemporary titles. It also allows users to

borrow digital copies of certain books for a limited period, similar to a library lending system. Additionally, many universities and educational institutions have their own digital libraries that provide free access to PDF books and manuals. These libraries often offer academic texts, research papers, and technical manuals, making them invaluable resources for students and researchers. Some notable examples include MIT OpenCourseWare, which offers free access to course materials from the Massachusetts Institute of Technology, and the Digital Public Library of America, which provides a vast collection of digitized books and historical documents. In conclusion, Mercuriser 7 3 D Tronic Manual books and manuals for download have transformed the way we access information. They provide a cost-effective and convenient means of acquiring knowledge, offering the ability to access a vast library of resources at our fingertips. With platforms like Project Gutenberg, Open Library, and various digital libraries offered by educational institutions, we have access to an ever-expanding collection of books and manuals. Whether for educational, professional, or personal purposes, these digital resources serve as valuable tools for continuous learning and self-improvement. So why not take advantage of the vast world of Mercuriser 7 3 D Tronic Manual books and manuals for download and embark on your journey of knowledge?

FAQs About Mercuriser 7 3 D Tronic Manual Books

1. Where can I buy Mercuriser 7 3 D Tronic Manual books? Bookstores: Physical bookstores like Barnes & Noble, Waterstones, and independent local stores. Online Retailers: Amazon, Book Depository, and various online bookstores offer a wide range of books in physical and digital formats.
2. What are the different book formats available? Hardcover: Sturdy and durable, usually more expensive. Paperback: Cheaper, lighter, and more portable than hardcovers. E-books: Digital books available for e-readers like Kindle or software like Apple Books, Kindle, and Google Play Books.
3. How do I choose a Mercuriser 7 3 D Tronic Manual book to read? Genres: Consider the genre you enjoy (fiction, non-fiction, mystery, sci-fi, etc.). Recommendations: Ask friends, join book clubs, or explore online reviews and recommendations. Author: If you like a particular author, you might enjoy more of their work.
4. How do I take care of Mercuriser 7 3 D Tronic Manual books? Storage: Keep them away from direct sunlight and in a dry environment. Handling: Avoid folding pages, use bookmarks, and handle them with clean hands. Cleaning: Gently dust the covers and pages occasionally.
5. Can I borrow books without buying them? Public Libraries: Local libraries offer a wide range of books for borrowing. Book Swaps: Community book exchanges or online platforms where people exchange books.

6. How can I track my reading progress or manage my book collection? Book Tracking Apps: Goodreads, LibraryThing, and Book Catalogue are popular apps for tracking your reading progress and managing book collections. Spreadsheets: You can create your own spreadsheet to track books read, ratings, and other details.
7. What are Mercruiser 7 3 D Tronic Manual audiobooks, and where can I find them? Audiobooks: Audio recordings of books, perfect for listening while commuting or multitasking. Platforms: Audible, LibriVox, and Google Play Books offer a wide selection of audiobooks.
8. How do I support authors or the book industry? Buy Books: Purchase books from authors or independent bookstores. Reviews: Leave reviews on platforms like Goodreads or Amazon. Promotion: Share your favorite books on social media or recommend them to friends.
9. Are there book clubs or reading communities I can join? Local Clubs: Check for local book clubs in libraries or community centers. Online Communities: Platforms like Goodreads have virtual book clubs and discussion groups.
10. Can I read Mercruiser 7 3 D Tronic Manual books for free? Public Domain Books: Many classic books are available for free as they're in the public domain. Free E-books: Some websites offer free e-books legally, like Project Gutenberg or Open Library.

Find Mercruiser 7 3 D Tronic Manual :

few practical questions and answers for engineers and scientists

[fictions of the inner life](#)

[field guide to fishes coloring](#)

[fifty golden years of patience strong](#)

[fighting apartheid](#)

fieldbook of illinois mammals

[figgs & phantoms](#)

[fifty ways to cook fast](#)

[fifth national objects invitational 1995](#)

[fight team fight](#)

[fiasco the inside story of a wall street trader](#)

fidel castro and the cuban revolution age position character destiny personality and ambition

fields of fire a rock n roll tour of duty in vietnam

**fifty common birds of oklahoma the sou
field guide to the reptiles and amphibians of aruba curacao and bonaire**

Mercruiser 7 3 D Tronic Manual :

Medical Insurance Workbook Chapter 1 Answers.docx Medical Insurance Workbook Chapter 1 Answers Assignment 1.1 Review Questions 1.A.Hospitals, B.acute care hospitals, C.skilled nursing & long-term care ... Insurance Handbook For The Medical Office Flashcards Chapter -3 1-26 Learn with flashcards, games, and more — for free. 16IHMO Wk01 Ch01 worksheet Answerkey.pdf - Chapter 1 Answer routine inquiries related to account balances and insurance ... Insurance Billing Specialist Insurance Handbook for the Medical Office Workbook 9. Insurance Handbook for the Medical Office Chapter 3 ... Study with Quizlet and memorize flashcards containing terms like Insurance Policy, Guarantor, List 5 health insurance policy renewal provisions and more. Workbook for Insurance Handbook for the Medical Office This user-friendly workbook features realistic, hands-on exercises to help you apply concepts and develop critical thinking skills. Study tools include ... Health insurance handbook : how to make it work (English) Health insurance handbook : how to make it work (English). Many countries that subscribe to the Millennium Development Goals (MDGs) have committed to ... Free Medical Flashcards about Insurance Handbook Study free Medical flashcards about Insurance Handbook created by FB to improve your grades. Matching game, word search puzzle, and hangman also available. Insurance Handbook The book begins with basic information on the various types of insurance, including auto, home, life, annuities and long-term care. A glossary section contains. Insurance Handbook for the Medical Office Oct 16, 2017 — Lesson 4.1 Documentation Basics Identify the most common documents founds in the medical record. List the advantages and disadvantages of an ... Chapter 9 Insurance Answer Key Medical Insurance: A Revenue Cycle Process Approach. Read Book Insurance Handbook For The Medical Office Answer Key Chapter 9 Health insurance in the United ... A320Guide The A320 Guide App is an indispensable tool for pilots seeking the Airbus A320 type rating. This is an app version of the famous A320 systems ebook. It ... Airbus A320 pilot handbook: Simulator and... by Ray, Mike Buy Airbus A320 pilot handbook: Simulator and checkride techniques (Airline Training Series) on Amazon.com ☐ FREE SHIPPING on qualified orders. The A320 Study Guide Airbus A320 Study Guide Paperback book, ebook, a320 type rating, pilot training, pilot book, student pilot, flight training, flight school, airbus pilot, ... Airbus A320: An Advanced Systems Guide This iPad interactive book is an indispensable tool for pilots seeking the Airbus A320 type rating. This study guide offers an in-depth systems knowledge ... The A320 Study Guide - V.2. Airbus A320 pilot handbook: Simulator and checkride techniques (Airline Training Series). Mike Ray. 4.6 out of 5 stars 78. Paperback. 7 offers from \$25.94. Airbus A320 pilot handbook: Simulator and checkride ... It is a 400 page document filled with simple to understand graphics and diagrams. It is a MUST HAVE for every aspiring Airbus A320 pilot ... as well as veteran ... Real

Airbus Pilot on Microsoft Flight Simulator Tutorial with a Real Airbus Pilot. 320 Sim Pilot · 19:24 · What Is The Airbus 'Soft' Go Around?! Real Airbus Pilot Guide for Flight Simulators! 320 Sim Pilot. Airbus A320 - Quick Study Guide - Avsoft The A320 Quick Study Guide (QSG) is a handy 5.5" x 8.5" (14 cm x 21.6 cm) reference guide for pilots looking to familiarize themselves with the locations ... Airbus A320 pilot handbook: Simulator and checkride ... Buy the book Airbus A320 pilot handbook: Simulator and checkride techniques by mike ray at Indigo. Bound for Workbook for Tonal Harmony - Amazon This workbook is meant to be paired with the Tonal Harmony text book. They obviously pair great. Each exercise expounds on the information learned in the book. Tonal Harmony - Stefan Kostka Tonal Harmony. Stefan Kostka. 4.7 out of 5 stars 416. Hardcover. 65 offers from \$66.59 · Workbook for Tonal Harmony. Stefan Kostka. Tonal Harmony - Workbook Tonal Harmony - Workbook. by kostka, stefan. Tonal Harmony - Workbook. SKU: MBS_2289625_dg. Edition: 8TH 18. Publisher: MCG COURSE. ISBN10: 1260179257. ISBN 13 ... Workbook for Tonal Harmony 7th edition ... COUPON: RENT Workbook for Tonal Harmony With and Introuction to Twentieth Century Music 7th edition (9780077410179) and save up to 80% on textbook rentals ... Tonal Harmony 7th Edition Workbook (P ... Tonal Harmony 7th Edition Workbook (P) by Kostka, Payne, & Almen · ISBN# 0077410173 · Shipping Weight: 1.7 lbs · 1 Units in Stock · Published by: McGraw-Hill. Tonal Harmony 7th Edition 9780078025143 Excellent source of music theory. This is the "perfect" general tonal harmony textbook, covering everything from basic Armed Services Edition First ... Bound for Workbook for Tonal Harmony - Softcover Bound for Workbook for Tonal Harmony by Kostka, Stefan; Dorothy Payne; Byron ... About this edition. Each set of exercises in the Workbook is closely ... 9780078025143 | Tonal Harmony, 7th Edition Jun 22, 2012 — Rent textbook Tonal Harmony, 7th Edition by Kostka, Stefan - 9780078025143 ... workbook are available for download as MP3 files. For instructors ... Stefan Kostka - Tonal Harmony, Seventh Edition The following ancillary items can be used with the seventh edition of Tonal Harmony. ... Workbook. Summary. The term binary form is applied to a movement or ... Tonal Harmony - 7th Edition - Solutions and Answers Textbook solutions ; Chapter 1: Elements of Pitch ; Chapter 2: Elements of Rhythm ; Chapter 3: Introduction to Triads and Seventh Chords ; Chapter 4: Diatonic ...