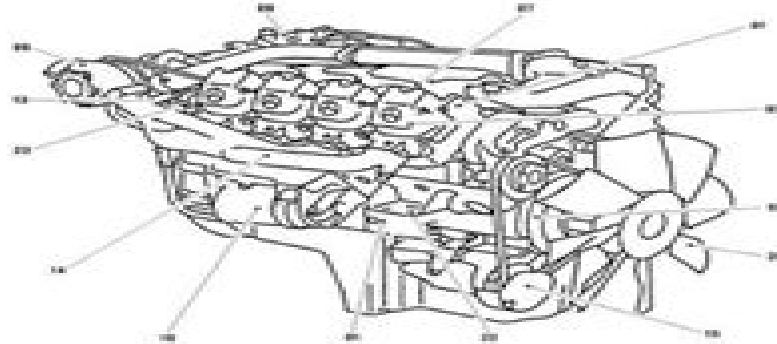


# Mercedes Benz OM 440 Diesel Engine Service



## Technical Publication

Diesel Engine

8V 183

12V 183

Tolerances and Wear Limits List

M070037/00E

Series 183 Engines

Basis:

Mercedes-Benz OM 440

8 V 183 TA .2  
8 V 183 TC .2/3  
8 V 183 TE .2/3

OM 442 A  
OM 442 LA  
OM 442 LA

12 V 183 TA .2  
12 V 183 TB .2/3  
12 V 183 TC .2/3  
12 V 183 TD .2/3  
12 V 183 TE .2/3

OM 444 A  
OM 444 LA  
OM 444 LA  
OM 444 LA  
OM 444 LA



# Mercedes Om 44workshop Manual

**L Reisser**



## **Mercedes Om 44workshop Manual:**

**Service Manual, Engines OM 615-617** Daimler-Benz Aktiengesellschaft,1975 *Mercedes-Benz G-Wagen Workshop Manual 1979-1991* Brooklands Books,2015-04-20 **Service Manual, Maintenance, Tuning, Unit Replacement, Diesel Engines OM 636 and OM 621** ,19?? *Service Manual, Engines OM 636 and OM 621* Mercedes-Benz of North America,1993 **DAF 44 Workshop Manual** DAF Cars,1966 **Service Manual** Mercedes-Benz of North America, Inc,1979 Workshop manual for Mercedes-Benz 200, 220, 230 & 250 series ,1972 **Service Manual, Engine 601** ,1985 *Mercedes-Benz Repair and Tune-Up Guide* Motorbooks International,1987-08 Reprint of a Glenn s manual covering repairs to 180 190 200 219 220 230 250 300 and 600 models Includes performance and mechanical specs wiring diagrams and selected Road Track road tests Pub 1966 *Service Manual, Chassis and Body, Series 126* ,1984 **Mercedes-Benz 190, 190E & 190D** Steve Rendle,2004 **Mercedes-Benz Owners Workshop Manual** A. K. Legg,2014 Models covered UK 250 and 250 long wheelbase Saloons 2525 cc 250 T Estate 2525 cc 280 and 280 E Saloons 2746 cc 280 TE Estate 2746 cc 280 C and 280 CE Coupes 2746 cc Mercedes-Benz Service Manual, Model 190 Passenger Cars Daimler-Benz,1964\* *Mercedes-Benz Truck* Mercedes-Benz Truck Co, **Mercedes-Benz 280, 1968-72 Autobook** Kenneth Ball,1972 **Service Manual, Engines M 110** ,1981 Service Manual Engine 103 ,1990 *Service Manual Engine 110* ,1983 Service Manual Engine 102 ,1985 Mercedes-Benz 350 & 450 Owners Workshop Manual Tom Schauwecker,Haynes, John Harold,19??

Embark on a breathtaking journey through nature and adventure with Crafted by is mesmerizing ebook, Natureis Adventure: **Mercedes Om 44workshop Manual** . This immersive experience, available for download in a PDF format ( PDF Size: \*), transports you to the heart of natural marvels and thrilling escapades. Download now and let the adventure begin!

<https://staging.conocer.cide.edu/data/book-search/index.jsp/Guide%20To%20Clinical%20Nursing%20Practices.pdf>

## **Table of Contents Mercedes Om 44workshop Manual**

1. Understanding the eBook Mercedes Om 44workshop Manual
  - The Rise of Digital Reading Mercedes Om 44workshop Manual
  - Advantages of eBooks Over Traditional Books
2. Identifying Mercedes Om 44workshop Manual
  - Exploring Different Genres
  - Considering Fiction vs. Non-Fiction
  - Determining Your Reading Goals
3. Choosing the Right eBook Platform
  - Popular eBook Platforms
  - Features to Look for in an Mercedes Om 44workshop Manual
  - User-Friendly Interface
4. Exploring eBook Recommendations from Mercedes Om 44workshop Manual
  - Personalized Recommendations
  - Mercedes Om 44workshop Manual User Reviews and Ratings
  - Mercedes Om 44workshop Manual and Bestseller Lists
5. Accessing Mercedes Om 44workshop Manual Free and Paid eBooks
  - Mercedes Om 44workshop Manual Public Domain eBooks
  - Mercedes Om 44workshop Manual eBook Subscription Services
  - Mercedes Om 44workshop Manual Budget-Friendly Options
6. Navigating Mercedes Om 44workshop Manual eBook Formats

- ePub, PDF, MOBI, and More
  - Mercedes Om 44workshop Manual Compatibility with Devices
  - Mercedes Om 44workshop Manual Enhanced eBook Features
7. Enhancing Your Reading Experience
    - Adjustable Fonts and Text Sizes of Mercedes Om 44workshop Manual
    - Highlighting and Note-Taking Mercedes Om 44workshop Manual
    - Interactive Elements Mercedes Om 44workshop Manual
  8. Staying Engaged with Mercedes Om 44workshop Manual
    - Joining Online Reading Communities
    - Participating in Virtual Book Clubs
    - Following Authors and Publishers Mercedes Om 44workshop Manual
  9. Balancing eBooks and Physical Books Mercedes Om 44workshop Manual
    - Benefits of a Digital Library
    - Creating a Diverse Reading Collection Mercedes Om 44workshop Manual
  10. Overcoming Reading Challenges
    - Dealing with Digital Eye Strain
    - Minimizing Distractions
    - Managing Screen Time
  11. Cultivating a Reading Routine Mercedes Om 44workshop Manual
    - Setting Reading Goals Mercedes Om 44workshop Manual
    - Carving Out Dedicated Reading Time
  12. Sourcing Reliable Information of Mercedes Om 44workshop Manual
    - Fact-Checking eBook Content of Mercedes Om 44workshop Manual
    - Distinguishing Credible Sources
  13. Promoting Lifelong Learning
    - Utilizing eBooks for Skill Development
    - Exploring Educational eBooks
  14. Embracing eBook Trends
    - Integration of Multimedia Elements
    - Interactive and Gamified eBooks

## **Mercedes Om 44workshop Manual Introduction**

In this digital age, the convenience of accessing information at our fingertips has become a necessity. Whether its research papers, eBooks, or user manuals, PDF files have become the preferred format for sharing and reading documents. However, the cost associated with purchasing PDF files can sometimes be a barrier for many individuals and organizations. Thankfully, there are numerous websites and platforms that allow users to download free PDF files legally. In this article, we will explore some of the best platforms to download free PDFs. One of the most popular platforms to download free PDF files is Project Gutenberg. This online library offers over 60,000 free eBooks that are in the public domain. From classic literature to historical documents, Project Gutenberg provides a wide range of PDF files that can be downloaded and enjoyed on various devices. The website is user-friendly and allows users to search for specific titles or browse through different categories. Another reliable platform for downloading Mercedes Om 44workshop Manual free PDF files is Open Library. With its vast collection of over 1 million eBooks, Open Library has something for every reader. The website offers a seamless experience by providing options to borrow or download PDF files. Users simply need to create a free account to access this treasure trove of knowledge. Open Library also allows users to contribute by uploading and sharing their own PDF files, making it a collaborative platform for book enthusiasts. For those interested in academic resources, there are websites dedicated to providing free PDFs of research papers and scientific articles. One such website is Academia.edu, which allows researchers and scholars to share their work with a global audience. Users can download PDF files of research papers, theses, and dissertations covering a wide range of subjects. Academia.edu also provides a platform for discussions and networking within the academic community. When it comes to downloading Mercedes Om 44workshop Manual free PDF files of magazines, brochures, and catalogs, Issuu is a popular choice. This digital publishing platform hosts a vast collection of publications from around the world. Users can search for specific titles or explore various categories and genres. Issuu offers a seamless reading experience with its user-friendly interface and allows users to download PDF files for offline reading. Apart from dedicated platforms, search engines also play a crucial role in finding free PDF files. Google, for instance, has an advanced search feature that allows users to filter results by file type. By specifying the file type as "PDF," users can find websites that offer free PDF downloads on a specific topic. While downloading Mercedes Om 44workshop Manual free PDF files is convenient, its important to note that copyright laws must be respected. Always ensure that the PDF files you download are legally available for free. Many authors and publishers voluntarily provide free PDF versions of their work, but its essential to be cautious and verify the authenticity of the source before downloading Mercedes Om 44workshop Manual. In conclusion, the internet offers numerous platforms and websites that allow users to download free PDF files legally. Whether its classic literature, research papers, or magazines, there is something for everyone. The platforms mentioned in this article, such as Project Gutenberg, Open Library, Academia.edu, and Issuu, provide access to a vast collection of PDF files. However, users

should always be cautious and verify the legality of the source before downloading Mercedes Om 44workshop Manual any PDF files. With these platforms, the world of PDF downloads is just a click away.

### FAQs About Mercedes Om 44workshop Manual Books

**What is a Mercedes Om 44workshop Manual PDF?** A PDF (Portable Document Format) is a file format developed by Adobe that preserves the layout and formatting of a document, regardless of the software, hardware, or operating system used to view or print it. **How do I create a Mercedes Om 44workshop Manual PDF?** There are several ways to create a PDF: Use software like Adobe Acrobat, Microsoft Word, or Google Docs, which often have built-in PDF creation tools. Print to PDF: Many applications and operating systems have a "Print to PDF" option that allows you to save a document as a PDF file instead of printing it on paper. Online converters: There are various online tools that can convert different file types to PDF. **How do I edit a Mercedes Om 44workshop Manual PDF?** Editing a PDF can be done with software like Adobe Acrobat, which allows direct editing of text, images, and other elements within the PDF. Some free tools, like PDFescape or Smallpdf, also offer basic editing capabilities. **How do I convert a Mercedes Om 44workshop Manual PDF to another file format?** There are multiple ways to convert a PDF to another format: Use online converters like Smallpdf, Zamzar, or Adobe Acrobats export feature to convert PDFs to formats like Word, Excel, JPEG, etc. Software like Adobe Acrobat, Microsoft Word, or other PDF editors may have options to export or save PDFs in different formats. **How do I password-protect a Mercedes Om 44workshop Manual PDF?** Most PDF editing software allows you to add password protection. In Adobe Acrobat, for instance, you can go to "File" -> "Properties" -> "Security" to set a password to restrict access or editing capabilities. Are there any free alternatives to Adobe Acrobat for working with PDFs? Yes, there are many free alternatives for working with PDFs, such as: LibreOffice: Offers PDF editing features. PDFsam: Allows splitting, merging, and editing PDFs. Foxit Reader: Provides basic PDF viewing and editing capabilities. How do I compress a PDF file? You can use online tools like Smallpdf, ILovePDF, or desktop software like Adobe Acrobat to compress PDF files without significant quality loss. Compression reduces the file size, making it easier to share and download. Can I fill out forms in a PDF file? Yes, most PDF viewers/editors like Adobe Acrobat, Preview (on Mac), or various online tools allow you to fill out forms in PDF files by selecting text fields and entering information. Are there any restrictions when working with PDFs? Some PDFs might have restrictions set by their creator, such as password protection, editing restrictions, or print restrictions. Breaking these restrictions might require specific software or tools, which may or may not be legal depending on the circumstances and local laws.

**Find Mercedes Om 44workshop Manual :**

**guide to clinical nursing practices**

**guia practica de la futura madre**

*guide de la litterature quebecoise*

*guess how much i love you tenth anniversary gift box*

**guarding the treasured lands the story of the national park service**

guide du paris sexy 2003

*guide to cage birds*

*guide to busineb modelling*

*guide in the wilderness or the history*

**guatemala's trade policy reform analysis and recommendations**

*guide map for the tourist republic of south africa.*

*guide to correspondence in german*

**guerra en las aulas**

guadalcanal the first offensive

**guide for better reading**

**Mercedes Om 44workshop Manual :**

free photography quotation template download in word - Mar 30 2022

web photography shops and freelance photographers who need ready made quotation forms need not look further than template net for free photography quotation templates download quotation template samples in all formats to present your price quotes for events weddings creative photography drone photography and all

best 100 famous photography quotes for your inspiration in - May 12 2023

web whether you are an amateur or a professional photographer these inspirational photography quotes for photographers would motivate you to find your passion and love for photography learn from and get inspired by these famous photography quotes from photographers such as ansel adams henri cartier bresson mark denman ted grant

**96 inspiration photography quotes images in 2023 shotkit** - Jul 02 2022

web 2 days ago photography is the story i fail to put into words destin sparks when words become unclear i shall focus with photographs when images become inadequate i shall be content with silence ansel adams when i photograph i make love



alfred stieglitz the negative is the equivalent of the composer s score and the print the

[21 photography quotation templates google docs word](#) - Oct 05 2022

web 4 photography quotation sample template 5 freelance photography quotation template 6 photography services quotation template 7 photography price quotation template 8 professional photography quotation template 9 creative photography quotation template 10 sample wedding photography quotation template 11

**free wedding photography quote template that wins clients** - Apr 30 2022

web in 2022 alone our wedding photography quote template was used over 11 000 times closing deals worth more than 23 million in total the best part is you can use our pre written chapters or customize them completely yourself as the logo text colors and images are all 100 editable view template trusted by 10 000 customers

[11 photography quotation templates google docs pdf](#) - Dec 27 2021

web table of content 11 photography quotation templates 1 photography quotation template 2 wedding photography quotation template 3 commercial photography quotation template 4 event photography quotation template 5 steps to write a photography quotation 5 wedding photography quotation sample 6 wedding

**how to quote a photography job a simple guide medium** - Feb 26 2022

web sep 19 2019 how to quote a photography job a simple guide nic kocher follow 5 min read sep 19 2019 illustration by nic kocher i t s more of an art than science is the proclamation most cited when

**easy to use photography quote template for professionals** - Jun 13 2023

web a quote for photography is a document that states the price and conditions for a specific photography job be it a studio photo session an outdoors one or work at an event it is more specific and precise than an estimate and can

[free photography quotation template bonsai](#) - Jan 08 2023

web project description in your photography quotation sample ensure you understand what your client wants that will help in enumerating your deliverables to solve the pain of your prospective client visualize the service project add a graph picture that would convince your client of your professionalism

[100 photography quotes to boost your inspiration wix com](#) - Mar 10 2023

web may 6 2019 these photography quotes will offer you a glimpse into the mind of some of the most brilliant artists in the field and inspire you to follow in their steps your first 10 000 photographs are your worst

**free photography quote template create and send instantly** - Nov 06 2022

web using our photography quotation sample template for your business makes getting compensated easier than ever below are a few tips for getting paid for your photography incorporating these tips into your business will help you be successful

**photography quote template pdf templates jotform** - Jun 01 2022

web photography quote wednesday february 27 2019 quote no qt120012 client information peter snow 2503 august lane monroe la 71201 united kingdom 318 413 9705 petersnow gmail com date of event tuesday february 26 2019 location of event florida type of event graduation ceremony my products 470 00 terms conditions

*136 inspirational photography quotes in 2023 petapixel* - Jul 14 2023

web feb 15 2023 these photography quotes offer insights into the minds of photography greats from how they see the world and approach the art of making a photo to their views on cameras to ideas on how

**photography quotation format samples for word excel pdf** - Aug 03 2022

web photography quotation format advertisements in general photographers use the photography quotation template in order to provide all the details particularly about the services and the product that they are offering to the clients by exchanging the amounts

free photography quote template better proposals - Aug 15 2023

web these free photography quote templates are designed for anyone that offers photography services use them to save time designing and sending quotes to get new clients

*100 most inspirational photography quotes of all time* - Sep 04 2022

web oct 2 2022 last updated on october 2 2022 in this article we have put together a collection of the most inspirational photography quotes of all time from some of the most famous artists photographers and writers in history as photographers we often lack the motivation to keep taking images something all artists struggle with from time to time

**photography quote template free download wise** - Dec 07 2022

web industries other business templates photography quote template use our eye catching and professional photography quote template to grab your potential customers attention right from the outset create easy to read and easy on the eye quotes in moments

free photography quote templates word excel pdf - Apr 11 2023

web a photography quote is what a client or potential client asks you for when they inquire about the price of photography this should reflect your costs equipment and tools travel time to the location or set materials if you have an indoor photography business repairs and parts labor and making a profit

*photography quotes 1006 quotes goodreads* - Feb 09 2023

web photography quotes quotes tagged as photography showing 1 30 of 1 005 what i like about photographs is that they capture a moment that s gone forever impossible to reproduce karl lagerfeld tags art capture fashion designer forever gone impossible memories memory moment photo photography reproduce shoot

*12 best photography quotation examples templates* - Jan 28 2022

web photography quotation photography quotation examples and templates 1 photography quotation example 2 wedding photography quotation 3 commercial photography quotation 4 event photography quotation template 5 basic photography quotation 6 detailed wedding photography quotation 7 commercial

**the quatrains of omar khayyam indian culture** - May 06 2022

web the quatrains of omar khayyam author khayyam omar keywords quatrains urdu omar khayyám bantock granville sir publisher kegan paul trench trubner co ltd london source archaeological survey of india new delhi type rare book received from archaeological survey of india dublin core view

**quatrains of omar khayyam whinfield e h free download** - Apr 17 2023

web quatrains of omar khayyam book source digital library of india item 2015 103332dc contributor author whinfield e h dc date accessioned 2015 07 01t18 23 32zdc date available

**quatrains of omar khayyam tr whinfield 1883 quatrains 101 200** - Oct 11 2022

web jul 12 2017 quatrains of omar khayyam tr whinfield 1883 quatrains 101 200 quatrains of omar khayyam tr whinfield 1883 quatrains 1 100 quatrains of omar khayyám by omar khayyám translated by edward henry whinfield quatrains 101 200

**the quatrains of omar khayyam 1893 2023** - Jul 20 2023

web reading the rubaiyat of omar khayyam explained jun 22 2023 unlock the mystery of one of the great spiritual treasures of the ages omar khayyam s famous poem the rubaiyat is loved by westerners as a hymn of praise to

the quatrains of omar khayyám omar khayyam free - Mar 16 2023

web book digitized by google from the library of the university of michigan and uploaded to the internet archive by user tpb

**the quatrains of omar khayyam 1893 hardcover amazon** - Jun 07 2022

web the quatrains of omar khayyam 1893 whinfield edward henry amazon sg books

quatrains of omar khayyam tr whinfield 1883 quatrains 201 300 - Dec 13 2022

web jul 18 2017 quatrains 101 200 quatrains of omar khayyám by omar khayyám translated by edward henry whinfield quatrains 201 300 quatrains 301 400 sister projects wikidata item 192 193 201 now is the time earth decks her greenest bowers and trees like musa s hand grow white with flowers as t were at isa s breath the plants

**quatrains by omar khayyam open library** - Sep 10 2022

web quatrains by omar khayyam 1893 kegan paul trench trübner edition in english 2d ed rev

*the quatrains of omar khayyam 1893 cyberlab sutd edu sg* - Sep 22 2023

web the quatrains of omar khayyam 1893 rubaiyat of omar khayyam feb 06 2021 omar khayyam was born at naishapur in khorassan in the latter half of our eleventh and died within the first quarter of our twelfth century the slender story of his life is curiously twined about that of two other very

*the quatrains of omar khayyam amazon singapore* - Jul 08 2022

web the quatrains of omar khayyam khayyam omar james ballantyne and co 1893 bkp cu b whinfield e h edward henry 1836 19 amazon sg books

*the sufistic quatrains of omar khayyam by omar khayyam a* - Nov 12 2022

web quatrains of omar khayyam fifth edition by edward heron allen 37 preface the object with which this volume has been compiled has been to set at rest once and for ever the vexed question of how far edward fitzgerald s incomparable poem may be regarded as a translation of the persian originals how far as an adaptation and

**the quatrains of omar khayyám omar khayyam free** - Aug 21 2023

web evidence reported by markgraves for item quatrains00ofomarkomarrich on july 25 2008 no visible notice of copyright stated date is 1893 copyright evidence date 20080725165233

quatrains of omar khayyam tr whinfield 1883 quatrains 1 100 - Jun 19 2023

web jul 12 2017 n a i j bl considers this quatrain mystical 58 59 2 who was it brought thee here at nightfall who forth from the harem in this manner who to him who in thy absence burns as fire and trembles like hot air who was it who □ □□ □□□□ □□□ □□□ □□ □□□ □□ □□□ □□□ □□ □□ □□□ □□ □□□ □□ □□□

**page quatrains of omar khayyam tr whinfield 1883 djvu 109** - Jan 14 2023

web quatrains of omar khayyam tr whinfield 1883 djvu 109 there was a problem when proofreading this page omar khayyam 53 □□ persian characters □□ persian characters

**the quatrains of omar khayyam 1893 hardcover amazon com** - Apr 05 2022

web feb 17 2010 the quatrains of omar khayyam 1893 whinfield edward henry on amazon com free shipping on qualifying offers the quatrains of omar khayyam 1893

**the quatrains of omar khayyám omar khayyam free** - Feb 15 2023

web the quatrains of omar khayyám by omar khayyam james ballantyne and co 1882 bkp cu banc whinfield e h edward henry 1836 1922

free the quatrains of omar khayyam 1893 - Aug 09 2022

web khayyam jan 27 2022 the rubaiyat of omar khayyam is a collection of poems authored by persian astronomer and mathematician omar khayyam the poems in this title are written into quatrains rubaiyat being arabic for root of four as in four line verses of which quatrains are made up of this popular edition of the rubaiyat of omar khayyam is

the quatrains of omar khayyam 1893 alibris - Mar 04 2022

web buy the quatrains of omar khayyam 1893 by edward henry whinfield translator online at alibris we have new and used copies available in 1 editions starting at 28 92 shop now

**the quatrains of omar khayyam wikisource** - Oct 23 2023

web aug 1 2019 this translation of khayyam s rubaiyat was first published in 1882 with 253 quatrains an expanded edition with 500 quatrains was published in 1883 versions of the quatrains of omar khayyam include quatrains of

*quatrains of omar khayyam tr whinfield 1883 wikisource* - May 18 2023

web feb 2 2013 quatrains of omar khayyám 1883 by omar khayyám translated by edward henry whinfield information about this edition sister projects wikipedia article wikidata item this edition of quatrains of omar khayyám contains 500 quatrains side by side with the persian originals

*karanlık zihinler vikipedi* - Mar 10 2023

web karanlık zihinler the darkest minds yönetmenliğini jennifer yuh nelson in yaptığı chad hodge tarafından yazılan 2018 abd yapımı distopik bilim kurgu aksiyon filmidir alexandra bracken in aynı isimli romanından uyarlanmıştır

[the darkest minds 2 release date cast movie plot trailer news](#) - Dec 27 2021

web oct 19 2019 the darkest minds was released on august 3 2018 however 20th century fox bought the film rights back in 2014 the entire project took four years to come together since the rights to never fade have not been acquired yet the earliest we can expect a sequel to the darkest minds is in 2022 or 2023 naturally once the

**the darkest minds official trailer hd 20th century fox** - Feb 09 2023

web mar 28 2018 now on digital fox co 2ijsmhpnow on blu ray dvd fox co 2oc3v7qwhen teens mysteriously develop powerful new abilities they are declared a

*karanlık zihinler the darkest minds 2018 turkcealtyazi org* - Mar 30 2022

web aug 3 2018 Özet ruby daly amerika nın 98 ini öldüren korkunç vebadan hayatta kalabileceğini hiç düşünmemiştir ancak hayatta kalmayı başarır hayatta kalanlar değişik güçlere sahiplerdir ve sadece renklerle tanımlanırlar yeşiller çok zekiler maviler telekinez sarılar elektriği kontrol edebilme turuncular zihin

**the darkest minds book series wikipedia** - May 12 2023

web the darkest minds written by american author alexandra bracken is a young adult dystopian fiction series consisting of four novels and several novellas compiled in through the dark the series was first published in the united states in 2012 by hyperion books for children an imprint of disney publishing worldwide

[the darkest minds wikipedia](#) - Aug 15 2023

web the darkest minds is a 2018 american dystopian science fiction film directed by jennifer yuh nelson and written by chad hodge based on alexandra bracken s 2012 young adult novel of the same name it was produced by shawn levy and dan levine the film stars amandla stenberg harris dickinson mandy moore and gwendoline christie

**karanlık zihinler the darkest minds izle filmmax** - Jun 13 2023

web film bilgileri imdb 5 7 bilim kurgu aksiyon dram romantik macera yapım yılı 2018 süre 1 saat 45 dakika İzlenme 1 904 orijinal İsim the darkest minds ruby daly amerika nın 98 ini öldüren korkunç vebadan hayatta kalabileceğini hiç düşünmemiştir ancak hayatta kalmayı başarır

**the darkest minds 2018 full cast crew imdb** - Jan 28 2022

web the darkest minds 2018 cast and crew credits including actors actresses directors writers and more

**the darkest minds disney** - Jul 02 2022

web teens with mysterious abilities are declared a threat by the government

[the darkest minds the darkest minds wiki fandom](#) - Aug 03 2022

web the darkest minds is the first novel in the darkest minds series by alexandra bracken film adaption the darkest minds film when teens mysteriously develop powerful new abilities they are declared a threat by the government and detained one of the most powerful young people ruby escapes

**the darkest minds 2018 imdb** - Jul 14 2023

web aug 3 2018 the darkest minds directed by jennifer yuh nelson with amandla stenberg mandy moore bradley whitford harris dickinson after a disease kills 98 of children the survivors develop powers and are declared a threat 16 year old ruby escapes the government facility and joins a group of rebel teenagers ready to fight the

*karanlık zihinler the darkest minds filmi sinemalar com* - Dec 07 2022

web karanlık zihinler film konusu büyük bir salgın amerika daki çocukların büyük kısmını kırıp geçirmiştir geriye kalan çok az sayıda çocuk ve genç ise özel yetenekler geliştirince devlet tarafından özel kamplarda tutulmaya başlanmıştır en güçlülerinden biri olan 16 yaşındaki ruby daly amandla stenberg buradan

*karanlık zihinler the darkest minds beyazperde com* - Apr 11 2023

web aug 3 2018 Özet karanlık zihinler milyonlarca insanın ölümüne neden olan salgından kurtulmayı başaran bir grup gencin hikayesini konu ediyor amerika daki bütün gençleri öldüren korkunç vebada hayatta kalmayı başaran ruby dale özel güçlere sahiptir

[the darkest minds 20th century studios](#) - Oct 05 2022

web aug 3 2018 ruby one of the most powerful young people anyone has encountered escapes and joins a group of runaway teens seeking safe haven soon this newfound family realizes that collective power is needed to take back control of

[watch the darkest minds prime video amazon com](#) - Jan 08 2023

web the darkest minds from producers of stranger things comes this empowering tale of teens with mysterious abilities who are declared a threat by the government and must fight for their lives and the future 6 631 imdb 5 7 1 h 43 min 2018 x ray hdr uhd pg 13 suspense drama downbeat mysterious ads free with ads on freevee more

[the darkest minds wiki fandom](#) - Sep 04 2022

web about the movie when teens mysteriously develop powerful new abilities they are declared a threat by the government and detained sixteen year old ruby one of the most powerful young people anyone has encountered escapes her camp and joins a group of runaway teens seeking safe haven

**the darkest minds series by alexandra bracken goodreads** - Jun 01 2022

web the darkest minds by alexandra bracken 4 16 185 290 ratings 18 635 reviews published 2012 105 editions when ruby woke up on her tenth birthday something want to read rate it book 1 5 in time by alexandra bracken 4 21 11 283 ratings 1 228 reviews published 2013 8 editions don t miss this exciting short story that connects

[the darkest minds trailer 2 2018 youtube](#) - Apr 30 2022

web aug 3 2018 official the darkest minds movie trailer 2 2018 subscribe abo yt kc amandla stenberg movie trailer release 3 aug 2018 more kinochec

**the darkest minds series in order by alexandra bracken** - Feb 26 2022

web jul 12 2022 the darkest minds is a dystopian young adult novel series that was written by american author alexandra bracken and was primarily published between 2012 and 2018 and is comprised of multiple novels and a collection of novellas and short stories the story is set in the near future

*the darkest minds rotten tomatoes* - Nov 06 2022

web movie info when teens mysteriously develop powerful new abilities they are declared a threat by the government and detained one of the most powerful young people ruby escapes from her camp