

FRAME

GENERAL

This section has a description and the service procedures for the parts of the frame. These parts include the frame, counterweight assembly, overhead guard, hydraulic tank, access panels, and label positions. (See FIGURE 1.) The procedure for removing the traction motor is also described in this section.

DESCRIPTION

The frame is a single weldment. The frame has mounts for the counterweight, overhead guard, tilt cylinders, steering axle, and drive axle assembly. The hydraulic tank is a plastic tank mounted in the right side of the frame on all of the XL series of lift trucks except the E3.50-5.50XL (E70-120XL, E70-120XL₂) series. On the E3.50-5.50XL (E70-120XL, E70-120XL₂) models, the hydraulic tank is part of the lift truck frame and is a welded steel unit. The lift trucks must have a hood over the battery, or a covered battery if a hood is not installed. The floor plates can be removed for access to the hydraulic systems. A panel in the bottom of the battery compartment can be removed for access to the traction

motor and the hydraulic pump motor. On the E3.50-5.50XL (E70-120XL, E70-120XL₂) models, this panel also gives access to the power steering pump motor. The SCR (silicon controlled rectifier) electronic controller and contactors are in the counterweight. A panel in the counterweight can be removed for access to the SCR controller and contactors.

The frames for the lift trucks are similar in design, but are different sizes for each XL series. The J1.25-1.75XL (E25-35XL) models with pneumatic tires have fenders welded to the frame because of the wider drive tires.

The E2.00-3.00XL (E40-60XL) lift trucks have frames made in four different configurations. The lift truck with the long [842 mm (33.1 in) battery compartment] frame has a larger battery compartment than the lift truck with the short [695 mm (27.4 in) battery compartment] frame. Some lift trucks have additional counterweight metal added to the frame in front of the steering axle because of differences in some battery weights. The remainder of the frame parts are the same.

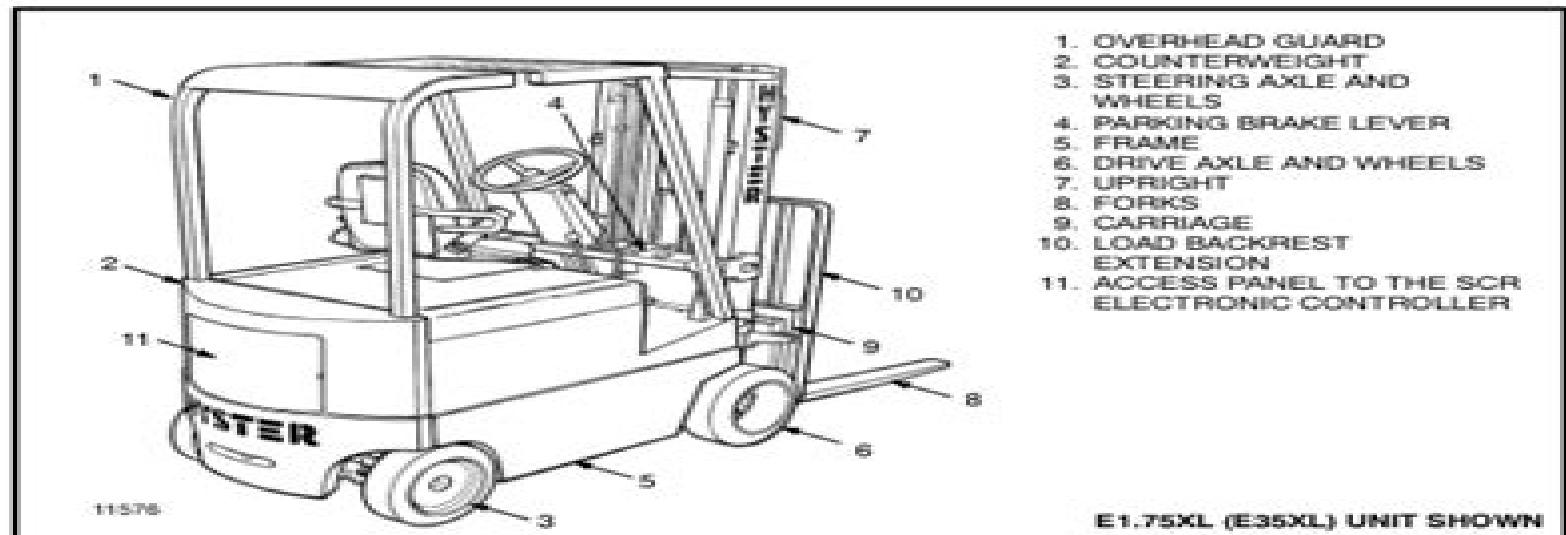


FIGURE 1. PARTS OF THE LIFT TRUCK

Hyster E40xl Manual

SJ Ball



Hyster E40xl Manual:

Embark on a breathtaking journey through nature and adventure with Crafted by is mesmerizing ebook, Natureis Adventure: **Hyster E40xl Manual** . This immersive experience, available for download in a PDF format (*), transports you to the heart of natural marvels and thrilling escapades. Download now and let the adventure begin!

https://staging.conocer.cide.edu/public/browse/HomePages/hanukkah_homeboy.pdf

Table of Contents Hyster E40xl Manual

1. Understanding the eBook Hyster E40xl Manual
 - The Rise of Digital Reading Hyster E40xl Manual
 - Advantages of eBooks Over Traditional Books
2. Identifying Hyster E40xl Manual
 - Exploring Different Genres
 - Considering Fiction vs. Non-Fiction
 - Determining Your Reading Goals
3. Choosing the Right eBook Platform
 - Popular eBook Platforms
 - Features to Look for in an Hyster E40xl Manual
 - User-Friendly Interface
4. Exploring eBook Recommendations from Hyster E40xl Manual
 - Personalized Recommendations
 - Hyster E40xl Manual User Reviews and Ratings
 - Hyster E40xl Manual and Bestseller Lists
5. Accessing Hyster E40xl Manual Free and Paid eBooks
 - Hyster E40xl Manual Public Domain eBooks
 - Hyster E40xl Manual eBook Subscription Services
 - Hyster E40xl Manual Budget-Friendly Options
6. Navigating Hyster E40xl Manual eBook Formats

- ePub, PDF, MOBI, and More
- Hyster E40xl Manual Compatibility with Devices
- Hyster E40xl Manual Enhanced eBook Features
- 7. Enhancing Your Reading Experience
 - Adjustable Fonts and Text Sizes of Hyster E40xl Manual
 - Highlighting and Note-Taking Hyster E40xl Manual
 - Interactive Elements Hyster E40xl Manual
- 8. Staying Engaged with Hyster E40xl Manual
 - Joining Online Reading Communities
 - Participating in Virtual Book Clubs
 - Following Authors and Publishers Hyster E40xl Manual
- 9. Balancing eBooks and Physical Books Hyster E40xl Manual
 - Benefits of a Digital Library
 - Creating a Diverse Reading Collection Hyster E40xl Manual
- 10. Overcoming Reading Challenges
 - Dealing with Digital Eye Strain
 - Minimizing Distractions
 - Managing Screen Time
- 11. Cultivating a Reading Routine Hyster E40xl Manual
 - Setting Reading Goals Hyster E40xl Manual
 - Carving Out Dedicated Reading Time
- 12. Sourcing Reliable Information of Hyster E40xl Manual
 - Fact-Checking eBook Content of Hyster E40xl Manual
 - Distinguishing Credible Sources
- 13. Promoting Lifelong Learning
 - Utilizing eBooks for Skill Development
 - Exploring Educational eBooks
- 14. Embracing eBook Trends
 - Integration of Multimedia Elements
 - Interactive and Gamified eBooks

Hyster E40xl Manual Introduction

In today's digital age, the availability of Hyster E40xl Manual books and manuals for download has revolutionized the way we access information. Gone are the days of physically flipping through pages and carrying heavy textbooks or manuals. With just a few clicks, we can now access a wealth of knowledge from the comfort of our own homes or on the go. This article will explore the advantages of Hyster E40xl Manual books and manuals for download, along with some popular platforms that offer these resources. One of the significant advantages of Hyster E40xl Manual books and manuals for download is the cost-saving aspect. Traditional books and manuals can be costly, especially if you need to purchase several of them for educational or professional purposes. By accessing Hyster E40xl Manual versions, you eliminate the need to spend money on physical copies. This not only saves you money but also reduces the environmental impact associated with book production and transportation. Furthermore, Hyster E40xl Manual books and manuals for download are incredibly convenient. With just a computer or smartphone and an internet connection, you can access a vast library of resources on any subject imaginable. Whether you're a student looking for textbooks, a professional seeking industry-specific manuals, or someone interested in self-improvement, these digital resources provide an efficient and accessible means of acquiring knowledge. Moreover, PDF books and manuals offer a range of benefits compared to other digital formats. PDF files are designed to retain their formatting regardless of the device used to open them. This ensures that the content appears exactly as intended by the author, with no loss of formatting or missing graphics. Additionally, PDF files can be easily annotated, bookmarked, and searched for specific terms, making them highly practical for studying or referencing. When it comes to accessing Hyster E40xl Manual books and manuals, several platforms offer an extensive collection of resources. One such platform is Project Gutenberg, a nonprofit organization that provides over 60,000 free eBooks. These books are primarily in the public domain, meaning they can be freely distributed and downloaded. Project Gutenberg offers a wide range of classic literature, making it an excellent resource for literature enthusiasts. Another popular platform for Hyster E40xl Manual books and manuals is Open Library. Open Library is an initiative of the Internet Archive, a non-profit organization dedicated to digitizing cultural artifacts and making them accessible to the public. Open Library hosts millions of books, including both public domain works and contemporary titles. It also allows users to borrow digital copies of certain books for a limited period, similar to a library lending system. Additionally, many universities and educational institutions have their own digital libraries that provide free access to PDF books and manuals. These libraries often offer academic texts, research papers, and technical manuals, making them invaluable resources for students and researchers. Some notable examples include MIT OpenCourseWare, which offers free access to course materials from the Massachusetts Institute of Technology, and the Digital Public Library of America, which provides a vast collection of digitized books and historical documents. In conclusion, Hyster E40xl Manual books and manuals for download have transformed the way we access information. They provide a cost-effective and

convenient means of acquiring knowledge, offering the ability to access a vast library of resources at our fingertips. With platforms like Project Gutenberg, Open Library, and various digital libraries offered by educational institutions, we have access to an ever-expanding collection of books and manuals. Whether for educational, professional, or personal purposes, these digital resources serve as valuable tools for continuous learning and self-improvement. So why not take advantage of the vast world of Hyster E40xl Manual books and manuals for download and embark on your journey of knowledge?

FAQs About Hyster E40xl Manual Books

What is a Hyster E40xl Manual PDF? A PDF (Portable Document Format) is a file format developed by Adobe that preserves the layout and formatting of a document, regardless of the software, hardware, or operating system used to view or print it. **How do I create a Hyster E40xl Manual PDF?** There are several ways to create a PDF: Use software like Adobe Acrobat, Microsoft Word, or Google Docs, which often have built-in PDF creation tools. Print to PDF: Many applications and operating systems have a "Print to PDF" option that allows you to save a document as a PDF file instead of printing it on paper. Online converters: There are various online tools that can convert different file types to PDF. **How do I edit a Hyster E40xl Manual PDF?** Editing a PDF can be done with software like Adobe Acrobat, which allows direct editing of text, images, and other elements within the PDF. Some free tools, like PDFescape or Smallpdf, also offer basic editing capabilities. **How do I convert a Hyster E40xl Manual PDF to another file format?** There are multiple ways to convert a PDF to another format: Use online converters like Smallpdf, Zamzar, or Adobe Acrobats export feature to convert PDFs to formats like Word, Excel, JPEG, etc. Software like Adobe Acrobat, Microsoft Word, or other PDF editors may have options to export or save PDFs in different formats. **How do I password-protect a Hyster E40xl Manual PDF?** Most PDF editing software allows you to add password protection. In Adobe Acrobat, for instance, you can go to "File" -> "Properties" -> "Security" to set a password to restrict access or editing capabilities. Are there any free alternatives to Adobe Acrobat for working with PDFs? Yes, there are many free alternatives for working with PDFs, such as: LibreOffice: Offers PDF editing features. PDFsam: Allows splitting, merging, and editing PDFs. Foxit Reader: Provides basic PDF viewing and editing capabilities. How do I compress a PDF file? You can use online tools like Smallpdf, ILovePDF, or desktop software like Adobe Acrobat to compress PDF files without significant quality loss. Compression reduces the file size, making it easier to share and download. Can I fill out forms in a PDF file? Yes, most PDF viewers/editors like Adobe Acrobat, Preview (on Mac), or various online tools allow you to fill out forms in PDF files by selecting text fields and entering information. Are there any restrictions when working with PDFs? Some PDFs might have restrictions set by their creator, such as password protection, editing restrictions, or print restrictions. Breaking these restrictions might require specific software or tools, which may or may not

be legal depending on the circumstances and local laws.

Find Hyster E40xl Manual :

hanukkah homeboy

[harcourt science workbook grade 3 teachers edition](#)

harmonetics investigation pm

[hanns eisler political musician](#)

[hardwood gold the rise and fall...and rise of the denver nuggets](#)

harley davidson 2006 calendar

~~hants dorset lets go with the children s~~

harleydavidson the living legend

harold monro poet of the new age

harlots moon.

hardheaded woman

harlequin nights

[haphazard house](#)

hanukkah mice

hanukkah latkes rothschilds millins

Hyster E40xl Manual :

when the clock strikes on halloween goodreads - Aug 12 2023

web may 20 2019 halloween is full of surprises hour by hour witches ghosts goblins jack o lanterns and more all come out for a spooktacular time when the clock strikes on halloween is entertaining and kids ages 3 through 7 can all benefit from strengthening their time telling and reading skills

halloween 2024 2025 and 2026 public holidays sg - Oct 02 2022

web halloween 2022 31 oct mon halloween 2021 31 oct sun halloween 2020 31 oct sat halloween 2019 31 oct thu halloween

when the clock strikes on halloween by lisa ferland youtube - Dec 04 2022

web oct 10 2022 learn more it s halloween night which means trick or treating in spooktacular costumes this is the right book to get kids interested in learning about time counting ev

when the clock strikes on halloween hardcover amazon - Apr 08 2023

web hello sign in account lists returns orders cart

when the clock strikes on halloween abebooks - Feb 06 2023

web jul 20 2017 it s halloween night which means trick or treating in spooktacular costumes this is the right book to get kids interested in learning about time counting every hour until halloween simple rhyming sentences reinforce learning the language of telling time

when the clock strikes on halloween amazon com - Jul 11 2023

web when the clock strikes midnight it s halloween really then why were the kids trick or treating an hour before halloween even started that makes no sense whatsoever no people don t normally start trick or treating an hour before midnight but they definitely don t do so the day before halloween

halloween singapore the best things to do for halloween 2023 - Mar 27 2022

web oct 20 2021 supplied for downtown east on october 28 halloween town yokai festival returns to downtown east for its annual event the two day experience features thrilling activities interactive installations games live music a parade cool prizes to be won and other family friendly fun based on japanese folklore roaming around

when the clock strikes on halloween kindle edition - Nov 03 2022

web when the clock strikes on halloween ebook ferland lisa jen pei amazon com au kindle store

when the clock strikes on halloween amazon singapore - Jun 10 2023

web hello sign in account lists returns orders cart

how to celebrate halloween in singapore 2022 spectrum store - May 29 2022

web oct 4 2022 one of the oldest festivals in the world halloween is observed in the majority of nations on october 31 each year the word halloween refers to a holy evening or hallowed evening or an evening to honour the dead a growing variety of traditional halloween activities are becoming more publicly accessible in

when the clock strikes on halloween by lisa ferland youtube - Sep 13 2023

web oct 8 2019 when the clock strikes on halloween by lisa ferland videobook for kids it s halloween night which means trick or treating in spooktacular costumes find out which ghouls and goblins might

halloween 2023 20 best events and parties in singapore the - Jul 31 2022

web oct 16 2023 halloween 31 october 2023 is just around the corner and we ve got the scoop on the best events and parties to celebrate it in singapore we ve compiled a list of costume shops themed events and fun activities so you can creep it real horror movie marathon anyone your epic guide to halloween 2023 in singapore 1 dance

have a spooktacular time at these halloween events in singapore - Feb 23 2022

web oct 23 2023 this halloween themed sail features a slew of halloween themed activities onboard that are just the right level of spooky for all ages from a halloween dance party to arts and crafts and carnival games and more

when the clock strikes halloween trainz music video - Apr 27 2022

web trick or treat smell my feet give me something good to eat huge thanks to christian for letting me do this music video be sure to stream the song here

anderson harbor when the clock strikes halloween music - Jun 29 2022

web click the link below to download the song ampl ink 2ylvgit s been too long since the anderson harbor character s have come out to play so it seem

when the clock strikes on halloween paperback 15 mar 2019 - Mar 07 2023

web buy when the clock strikes on halloween by ferland lisa jen pei ferland calvin isbn 9780997062489 from amazon s book store everyday low prices and free delivery on eligible orders

when the clock strikes on halloween amazon com - May 09 2023

web may 20 2019 when the clock strikes on halloween kindle edition gently introduces telling time on an analog clock strengthens comprehension with simple rhymes and repetition holds attention with clever art clues about the story s end

when the clock strikes on halloween amazon com - Oct 14 2023

web mar 15 2019 halloween is full of surprises hour by hour witches ghosts goblins jack o lanterns and more all come out for a spooktacular time when the clock strikes on halloween is entertaining and educational gently introduces telling time on

when the clock strikes 2 book series kindle edition - Sep 01 2022

web halloween is full of surprises hour by hour witches ghosts goblins jack o lanterns and more all come out for a spooktacular time when the clock strikes on halloween is entertaining and educational gently introduces telling time on an analog clock

9780997062441 *when the clock strikes on halloween* - Jan 05 2023

web abebooks com when the clock strikes on halloween 9780997062441 and a great selection of similar new used and collectible books available now at great prices

seattle the olympic peninsula for dummies open library - Apr 11 2023

web oct 13 2003 seattle the olympic peninsula for dummies by jim gullo october 13 2003 for dummies edition paperback in english 2 edition

olympic peninsula in washington state frommer s - May 12 2023

web starting in seattle this loop drive takes in puget sound the olympic mountains and the wild washington coast along the way you ll enjoy ferry rides a victorian port town lavender fields wilderness beaches mountain meadows rainforests glacier

carved lakes and rustic lodges

frommer s seattle the olympic peninsula for dummies broché - Oct 05 2022

web frommer s seattle the olympic peninsula for dummies gullo jim amazon fr livres

seattle the olympic peninsula for dummies worldcat org - Mar 10 2023

web seattle the olympic peninsula for dummies author jim gullo print book english 2004 edition 2nd ed view all formats and editions publisher wiley new york 2004 show more information location not available we are unable to

frommer s seattle the olympic peninsula for dummies for dummies - Jan 08 2023

web frommer s seattle the olympic peninsula for dummies for dummies travel gullo jim isbn 9780764539213 kostenloser versand für alle bücher mit versand und verkauf duch amazon

seattle the olympic peninsula for dummies archive org - Jun 13 2023

web previous ed published as seattle portland for dummies 2001

frommer s seattle the olympic peninsula for dummies for dummies - Aug 15 2023

web frommer s seattle the olympic peninsula for dummies for dummies travel gullo jim amazon com tr kitap

frommer s wikipedia - Jul 02 2022

web frommer s is a travel guide book series created by arthur frommer in 1957 frommer s has since expanded to include more than 350 guidebooks in 14 series as well as other media including an eponymous radio show and a website in 2017 the company celebrated its 60th anniversary 1 frommer has maintained a travel related blog on the company s

frommer s seattle the olympic peninsula for dummie 2022 - Jun 01 2022

web frommer s seattle the olympic peninsula for dummie frommer s seattle day by day frommer s great outdoor guide to washington oregon frommer s seattle 2009 frommer s seattle the olympic peninsula for dummie 3 3 offers updates on their favorite rv trips around the u s including scenic routes

frommer s favorite experiences in seattle frommer s - Apr 30 2022

web frommer s favorite experiences in seattle exploring pike place market it s the oldest covered market in the country and it s certainly one of the busiest used by seattle residents and restaurateurs looking for the freshest fish and produce but the retail range of this world unto itself extends way beyond seafood fruit and vegetables

frommer s seattle the olympic peninsula for dummies for dummies - Dec 07 2022

web frommer s seattle the olympic peninsula for dummies for dummies travel gullo jim amazon com mx libros

frommer s seattle the olympic peninsula for dummie - Feb 26 2022

web jun 7 2023 frommer s seattle the olympic peninsula for dummie pdf webfrommer s seattle the olympic peninsula for dummie pdf is available in our book collection an online access to it is set as public so you can download it instantly

[things to do in seattle frommer s](#) - Sep 04 2022

web exploring what to see and do in seattle can be overwhelming but frommer s has the definitive guide on the internet for things to do

[frommer s seattle the olympic peninsula for dummie pdf](#) - Mar 30 2022

web frommer s seattle the olympic peninsula for dummie book review unveiling the power of words in a world driven by information and connectivity the energy of words has are more evident than ever

seattle the olympic peninsula for dummies dummies travel - Nov 06 2022

web abebooks com seattle the olympic peninsula for dummies dummies travel 9780764539213 by gullo jim and a great selection of similar new used and collectible books available now at great prices

arthur frommer wikipedia - Jan 28 2022

web website frommers com arthur frommer born july 17 1929 is an american travel writer he founded the frommer s brand of travel guides frommer was born in jefferson city missouri and moved to brooklyn new york when he was 14 he graduated from new york university in 1950 with a political science degree and graduated with honors from

things to do in olympic peninsula frommer s - Jul 14 2023

web the rugged and remote olympic peninsula located in the extreme northwestern corner of washington and home to olympic national park was one of the last places in the continental u s to be explored its impenetrable rain soaked forests and steep glacier carved mountains effectively restricted settlement to the peninsula s more accessible

[frommer s seattle the olympic peninsula for dummies lingua](#) - Aug 03 2022

web frommer s seattle the olympic peninsula for dummies lingua inglese gullo jim amazon it libri

seattle the olympic peninsula for dummies 2nd edition powell s - Feb 09 2023

web seattle the olympic peninsula for dummies 2nd edition by frommers available in trade paperback on powells com also read synopsis and reviews your insider s guide to the best places and pricesenjoy the best of seattle the northwestwhether

[seattle the olympic peninsula for dummies dummies](#) - Dec 27 2021

web seattle the olympic peninsula for dummies dummies travel jim gullo quiet american new portway reprints graham greene the gamester s handbook 3 no 3 john norris addicted to you a one night of passion novel bethany kane new horizons to pluto dr mike goldsmith the viagra ad venture masculinity media and

[superman vs batman 789 words 123 help me](#) - Jan 19 2022

comparative essay comparison of superman and - Sep 07 2023

web feb 11 2017 batman and superman have a lot more in common than most people think but they do also have differences

batman is superhuman but he is still human

[persuasive essay on batman vs superman 925 words bartleby](#) - Jan 31 2023

web the main factor that tells me that superman is a better superhero is that fact that he actually has powers whereas

batman has to rely on money superman has many

batman vs superman difference and comparison diffen - Dec 30 2022

web for batman it is the joker who as a wicked teenager was the mugger murderer of his parents many spectacular battles have ensured for both crime fighters and one has

[how is batman better than superman 1522 words cram](#) - May 23 2022

web i can say that superman is better than batman because superman is always ready not like batman batman has to go to his cave and get his suit and get his batmobile and what if

[i am writing a persuasive speech on why batman is better than](#) - Mar 21 2022

web batman better than superman persuasive essay 1 8 downloaded from uniport edu ng on august 17 2023 by guest batman better than superman persuasive essay as

batman is better than superman essay best writing service - Nov 16 2021

compare and contrast batman vs superman 725 words cram - Jun 23 2022

web answered by mrinaldass there are three main reasons 1 batman actually has to try one of the most annoying things about superman is how overpowered he is i mean it s bad

[persuasive essay on batman s phenomenon 85 words bartleby](#) - Sep 26 2022

web compare and contrast batman vs superman improved essays 725 words 3 pages open document essay sample check writing quality show more everlasting battle batman

a comparison of batman vs superman 311 words - Mar 01 2023

web 908 words 4 pages open document batman vs superman batman vs superman the argument that has divided geeks like me for decades it also spawned a crappy

batman is better than superman 320 words cram - Feb 17 2022

web if you don t have the time for endless reading then contact our essay writing help online service with essayservice stress free academic success is a hand away another

[comparison of batman and superman essay example](#) - Jun 04 2023

web feb 27 2023 essay sample a comprehensive analysis of the two most popular superheroes of all time see who comes out on top when batman and superman are

batman and superman comparison 446 words cram - Jul 25 2022

web i can say that superman is better than batman because superman is always ready not like batman batman has to go to his cave and get his suit and get his batmobile and what if

batman vs superman the best essay ever - Jul 05 2023

web superman has the strength and powers while batman has the advantage in intelligence creativity and certainly technology in the movie superman was trying to talk to

why batman is the best superhero papersowl.com - May 03 2023

web batman is better than superman although superman possesses a body of steel and has lightning speed he is often debated with his allie batman when looking at batman

essay on superman v batman who is greater bartleby - Oct 28 2022

web about the movie the movies usually feature more action than drama which is more peoples getting love to superman so the conclusion is that i absolutely love

batman vs superman who is better free essay - Aug 06 2023

web batman is superior to superman in some other critical areas when discussing their fictional characterhood mainly batman s better movie portrayals and more entertaining films

batman vs superman persuasive essay 845 words antiessays - Aug 26 2022

web i think that batman is better than superman for many reasons and i will show you all reasons in this essay i will let you decide which is better batman or superman

persuasive essay on how batman is better than superman - Oct 08 2023

web who is more powerful superman or batman this has been a topic that has been pondered upon throughout the years of dc history well i can surely tell you that

comparing batman and superman who is the better hero free - Apr 02 2023

web persuasive essay on batman vs superman decent essays 925 words 4 pages open document so much anticipation nearly two years of waiting why is it that every time

batman vs superman essay 905 words cram - Apr 21 2022

web batman and superman two household names that strike fear into any evil doers heart if they even have one batman and superman are both wonderful superheroes and they

batman better than superman persuasive essay pdf - Dec 18 2021

how is batman a better superhero 908 words bartleby - Nov 28 2022

web two great examples of these imaginary heroes are batman and superman both are great super heroes but in my opinion it would seem that batman has the upper hand on