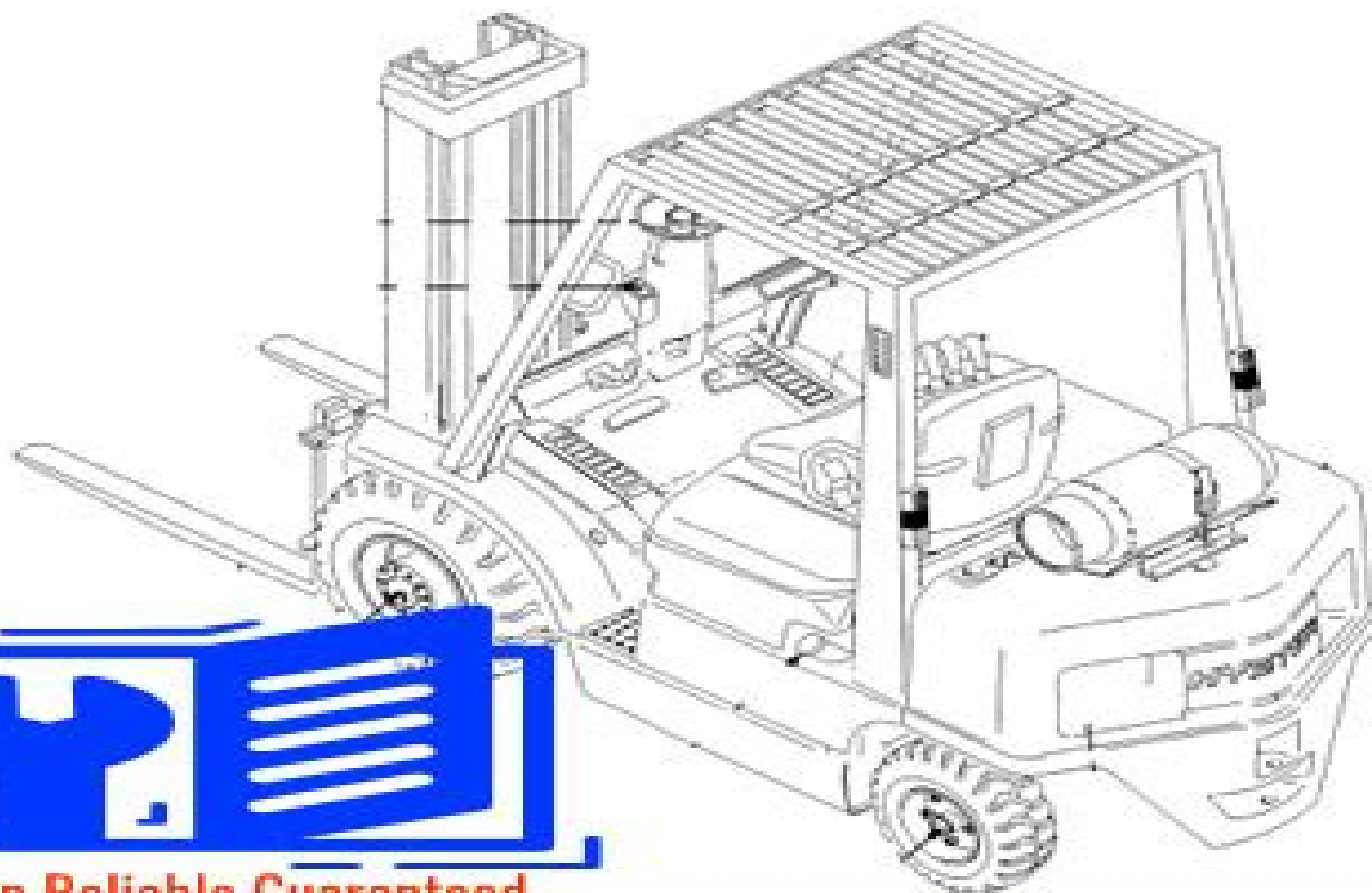


HYSTER



Cheap Reliable Guaranteed

Hyster H45-50-55-60-65XM Parts Manual

Hyster 55 Service Manual

Michael Rajnik



Hyster 55 Service Manual:

Uncover the mysteries within Crafted by is enigmatic creation, **Hyster 55 Service Manual** . This downloadable ebook, shrouded in suspense, is available in a PDF format (PDF Size: *). Dive into a world of uncertainty and anticipation. Download now to unravel the secrets hidden within the pages.

https://staging.conocer.cide.edu/results/book-search/Documents/john_deere_2520_repair_manual.pdf

Table of Contents Hyster 55 Service Manual

1. Understanding the eBook Hyster 55 Service Manual
 - The Rise of Digital Reading Hyster 55 Service Manual
 - Advantages of eBooks Over Traditional Books
2. Identifying Hyster 55 Service Manual
 - Exploring Different Genres
 - Considering Fiction vs. Non-Fiction
 - Determining Your Reading Goals
3. Choosing the Right eBook Platform
 - Popular eBook Platforms
 - Features to Look for in an Hyster 55 Service Manual
 - User-Friendly Interface
4. Exploring eBook Recommendations from Hyster 55 Service Manual
 - Personalized Recommendations
 - Hyster 55 Service Manual User Reviews and Ratings
 - Hyster 55 Service Manual and Bestseller Lists
5. Accessing Hyster 55 Service Manual Free and Paid eBooks
 - Hyster 55 Service Manual Public Domain eBooks
 - Hyster 55 Service Manual eBook Subscription Services
 - Hyster 55 Service Manual Budget-Friendly Options
6. Navigating Hyster 55 Service Manual eBook Formats

- ePub, PDF, MOBI, and More
- Hyster 55 Service Manual Compatibility with Devices
- Hyster 55 Service Manual Enhanced eBook Features
- 7. Enhancing Your Reading Experience
 - Adjustable Fonts and Text Sizes of Hyster 55 Service Manual
 - Highlighting and Note-Taking Hyster 55 Service Manual
 - Interactive Elements Hyster 55 Service Manual
- 8. Staying Engaged with Hyster 55 Service Manual
 - Joining Online Reading Communities
 - Participating in Virtual Book Clubs
 - Following Authors and Publishers Hyster 55 Service Manual
- 9. Balancing eBooks and Physical Books Hyster 55 Service Manual
 - Benefits of a Digital Library
 - Creating a Diverse Reading Collection Hyster 55 Service Manual
- 10. Overcoming Reading Challenges
 - Dealing with Digital Eye Strain
 - Minimizing Distractions
 - Managing Screen Time
- 11. Cultivating a Reading Routine Hyster 55 Service Manual
 - Setting Reading Goals Hyster 55 Service Manual
 - Carving Out Dedicated Reading Time
- 12. Sourcing Reliable Information of Hyster 55 Service Manual
 - Fact-Checking eBook Content of Hyster 55 Service Manual
 - Distinguishing Credible Sources
- 13. Promoting Lifelong Learning
 - Utilizing eBooks for Skill Development
 - Exploring Educational eBooks
- 14. Embracing eBook Trends
 - Integration of Multimedia Elements
 - Interactive and Gamified eBooks

Hyster 55 Service Manual Introduction

Free PDF Books and Manuals for Download: Unlocking Knowledge at Your Fingertips In today's fast-paced digital age, obtaining valuable knowledge has become easier than ever. Thanks to the internet, a vast array of books and manuals are now available for free download in PDF format. Whether you are a student, professional, or simply an avid reader, this treasure trove of downloadable resources offers a wealth of information, conveniently accessible anytime, anywhere. The advent of online libraries and platforms dedicated to sharing knowledge has revolutionized the way we consume information. No longer confined to physical libraries or bookstores, readers can now access an extensive collection of digital books and manuals with just a few clicks. These resources, available in PDF, Microsoft Word, and PowerPoint formats, cater to a wide range of interests, including literature, technology, science, history, and much more. One notable platform where you can explore and download free Hyster 55 Service Manual PDF books and manuals is the internet's largest free library. Hosted online, this catalog compiles a vast assortment of documents, making it a veritable goldmine of knowledge. With its easy-to-use website interface and customizable PDF generator, this platform offers a user-friendly experience, allowing individuals to effortlessly navigate and access the information they seek. The availability of free PDF books and manuals on this platform demonstrates its commitment to democratizing education and empowering individuals with the tools needed to succeed in their chosen fields. It allows anyone, regardless of their background or financial limitations, to expand their horizons and gain insights from experts in various disciplines. One of the most significant advantages of downloading PDF books and manuals lies in their portability. Unlike physical copies, digital books can be stored and carried on a single device, such as a tablet or smartphone, saving valuable space and weight. This convenience makes it possible for readers to have their entire library at their fingertips, whether they are commuting, traveling, or simply enjoying a lazy afternoon at home. Additionally, digital files are easily searchable, enabling readers to locate specific information within seconds. With a few keystrokes, users can search for keywords, topics, or phrases, making research and finding relevant information a breeze. This efficiency saves time and effort, streamlining the learning process and allowing individuals to focus on extracting the information they need. Furthermore, the availability of free PDF books and manuals fosters a culture of continuous learning. By removing financial barriers, more people can access educational resources and pursue lifelong learning, contributing to personal growth and professional development. This democratization of knowledge promotes intellectual curiosity and empowers individuals to become lifelong learners, promoting progress and innovation in various fields. It is worth noting that while accessing free Hyster 55 Service Manual PDF books and manuals is convenient and cost-effective, it is vital to respect copyright laws and intellectual property rights. Platforms offering free downloads often operate within legal boundaries, ensuring that the materials they provide are either in the public domain or authorized for distribution. By adhering to copyright laws, users can enjoy the benefits of free access to knowledge while supporting the authors and publishers who

make these resources available. In conclusion, the availability of Hyster 55 Service Manual free PDF books and manuals for download has revolutionized the way we access and consume knowledge. With just a few clicks, individuals can explore a vast collection of resources across different disciplines, all free of charge. This accessibility empowers individuals to become lifelong learners, contributing to personal growth, professional development, and the advancement of society as a whole. So why not unlock a world of knowledge today? Start exploring the vast sea of free PDF books and manuals waiting to be discovered right at your fingertips.

FAQs About Hyster 55 Service Manual Books

How do I know which eBook platform is the best for me? Finding the best eBook platform depends on your reading preferences and device compatibility. Research different platforms, read user reviews, and explore their features before making a choice. Are free eBooks of good quality? Yes, many reputable platforms offer high-quality free eBooks, including classics and public domain works. However, make sure to verify the source to ensure the eBook credibility. Can I read eBooks without an eReader? Absolutely! Most eBook platforms offer webbased readers or mobile apps that allow you to read eBooks on your computer, tablet, or smartphone. How do I avoid digital eye strain while reading eBooks? To prevent digital eye strain, take regular breaks, adjust the font size and background color, and ensure proper lighting while reading eBooks. What the advantage of interactive eBooks? Interactive eBooks incorporate multimedia elements, quizzes, and activities, enhancing the reader engagement and providing a more immersive learning experience. Hyster 55 Service Manual is one of the best book in our library for free trial. We provide copy of Hyster 55 Service Manual in digital format, so the resources that you find are reliable. There are also many Ebooks of related with Hyster 55 Service Manual. Where to download Hyster 55 Service Manual online for free? Are you looking for Hyster 55 Service Manual PDF? This is definitely going to save you time and cash in something you should think about. If you trying to find then search around for online. Without a doubt there are numerous these available and many of them have the freedom. However without doubt you receive whatever you purchase. An alternate way to get ideas is always to check another Hyster 55 Service Manual. This method for see exactly what may be included and adopt these ideas to your book. This site will almost certainly help you save time and effort, money and stress. If you are looking for free books then you really should consider finding to assist you try this. Several of Hyster 55 Service Manual are for sale to free while some are payable. If you arent sure if the books you would like to download works with for usage along with your computer, it is possible to download free trials. The free guides make it easy for someone to free access online library for download books to your device. You can get free download on free trial for lots of books categories. Our library is the biggest of these that have literally hundreds of thousands of different products categories

represented. You will also see that there are specific sites catered to different product types or categories, brands or niches related with Hyster 55 Service Manual. So depending on what exactly you are searching, you will be able to choose e books to suit your own need. Need to access completely for Campbell Biology Seventh Edition book? Access Ebook without any digging. And by having access to our ebook online or by storing it on your computer, you have convenient answers with Hyster 55 Service Manual To get started finding Hyster 55 Service Manual, you are right to find our website which has a comprehensive collection of books online. Our library is the biggest of these that have literally hundreds of thousands of different products represented. You will also see that there are specific sites catered to different categories or niches related with Hyster 55 Service Manual So depending on what exactly you are searching, you will be able to choose ebook to suit your own need. Thank you for reading Hyster 55 Service Manual. Maybe you have knowledge that, people have search numerous times for their favorite readings like this Hyster 55 Service Manual, but end up in harmful downloads. Rather than reading a good book with a cup of coffee in the afternoon, instead they juggled with some harmful bugs inside their laptop. Hyster 55 Service Manual is available in our book collection an online access to it is set as public so you can download it instantly. Our digital library spans in multiple locations, allowing you to get the most less latency time to download any of our books like this one. Merely said, Hyster 55 Service Manual is universally compatible with any devices to read.

Find Hyster 55 Service Manual :

john deere 2520 repair manual

[john deere 440c service manual](#)

john deere 44 inch snow blade manual

[john deere 3010 gas tractor service manual](#)

~~john deere 2850 technical manual~~

~~john deere 1565 manual~~

~~john deere 314 parts manual~~

[john deere 401b service manual](#)

~~john deere 650 tractor owners manual~~

~~john deere 6300 wiring schematic~~

[john deere 170 owners manual](#)

joanna trollope the other family a village affair bundle

jlpt n3 question papers

[john deere 350c dozer manual](#)

[john deere 310sj service manual](#)

Hyster 55 Service Manual :

[chemistry concept questions and answers chemistry](#) - May 01 2022

web chemistry is the discipline of science concerned with the study of the composition and physical and chemical properties of various kinds of matter what is important in chemistry concepts can be reviewed restated emphasised and summarised using chemistry concept questions

[class 11 chemistry mcq sanfoundry](#) - Dec 28 2021

web a constant b increasing c decreasing d irregular view answer sanfoundry global education learning series chemistry class 11 to practice all chapters and topics of class 11 chemistry here is complete set of 1000 multiple choice questions and [chemcollective concept tests](#) - Dec 08 2022

web our concept tests use qualitative multiple choice questions to assess the understanding of key chemical concepts please email us for answers and suggested classroom uses

chemistry assessment answers mastering concepts 2023 - Aug 04 2022

web chemistry assessment answers mastering concepts mastering the mbe jan 29 2021 mastering the mbe shows students how to prove their knowledge on test day mastering the mbe addresses the age old problem for law students i know the information but how do i prove it on the test

chemistry assessment answers mastering concepts pdf 2023 - Mar 31 2022

web readers can further master concepts after class through traditional and adaptive homework assignments that provide hints and answer specific feedback the mastering gradebook records scores for all automatically graded assignments in one place while diagnostic tools give instructors access to rich data to assess readers understanding

chemistry year 10 assessment sheet 40 questions - Jan 29 2022

web dec 19 2017 a chemistry assessment sheet for year 10 students in ks4 chapters included in this assessment sheet are ionic and covalent compounds transition metals and non metals noble gases thermal decomposition of metal carbonates calculation involving moles molar volume and molar mass preparing soluble salts brown ring test

chemistry assessment answers mastering concepts pdf - Jan 09 2023

web may 8 2023 chemistry assessment answers mastering concepts 1 19 downloaded from uniport edu ng on may 8 2023 by guest chemistry assessment answers mastering concepts if you ally obsession such a referred chemistry assessment answers mastering concepts book that will have the funds for you worth acquire the agreed best

chemistry assessment answers mastering concepts pdf full - Sep 05 2022

web chemistry assessment answers mastering concepts pdf chemistry assessment answers mastering concepts pdf book review unveiling the power of words in a global driven by information and connectivity the energy of

chemistry matter and change 1st edition solutions and answers - Jul 15 2023

web find step by step solutions and answers to chemistry matter and change 9780078746376 as well as thousands of textbooks so you can move forward with confidence fresh features from the 1 ai enhanced learning platform

chemistry assessment answers mastering concepts copy - Oct 06 2022

web if you target to download and install the chemistry assessment answers mastering concepts it is completely simple then before currently we extend the colleague to purchase and make bargains to download and install chemistry assessment answers mastering concepts so simple chemistry assessment answers mastering

stoichiometry stoichiometry pdf4pro - Jun 14 2023

web solutions manual chemistry matter and change chapter 11 211 chapter 11 solutions manual section 11 1 assessment page 372 5 compare the mass of the reactants and the mass of the products in a chemical reaction and explain how these masses are related the coefficients in the balanced equation indicate the molar

chemistry assessment answers mastering concepts - Jun 02 2022

web may 21 2023 chemistry assessment answers mastering concepts advanced chemistry from university of kentucky a chemistry course to cover selected topics covered in advanced high school chemistry courses correlating to the standard topics as established by the american chemical society aet 104 combustion engine theory this

mastering chemistry answers homework answers introduction answers - Jul 03 2022

web mastering chemistry introduction answers the nature of thermochemistry questions to need mastery in balancing equations and knowledge on compounds structure makes it tough moreover the interlinked nature of some topics to be related in each subsequent chapter makes it need a lot of keenness and readiness to understand simple terms

mastering chapter 7 chemistry unlocking the assessment answers - Aug 16 2023

web the answer key for the short answer questions in the chapter 7 chemistry assessment is provided below this key will help you verify your answers and assess your understanding of the material covered in the chapter question 1 define an atom

chemistry assessment answers mastering concepts copy - May 13 2023

web 2 chemistry assessment answers mastering concepts 2020 11 08 themes throughout the book is organized to present chemistry as a logical cohesive story from the microscopic to the macroscopic so students can fully grasp the theories and framework behind the chemical facts every topic has been carefully crafted to illustrate that the

chemistry assessment answers mastering concepts - Apr 12 2023

web apr 21 2023 as this chemistry assessment answers mastering concepts it ends going on mammal one of the favored

books chemistry assessment answers mastering concepts collections that we have this is why you remain in the best website to see the amazing book to have pearson chemistry antony c wilbraham 2010 04 02

[chemistry assessment answers mastering concepts](#) - Nov 07 2022

web chemistry assessment answers mastering concepts microbiology jan 12 2021 high school chemistry unlocked jan 04 2023 unlock the secrets of chemistry with the princeton review high school chemistry unlocked focuses on giving you a wide range of key lessons to help increase your understanding of chemistry with

chemistry assessment answers mastering concepts pdf - Mar 11 2023

web chemistry assessment answers mastering concepts 1 22 downloaded from uniport edu ng on april 16 2023 by guest chemistry assessment answers mastering concepts right here we have countless books chemistry assessment answers mastering concepts and collections to check out we additionally allow variant types

mastering chemistry with pearson etext quizlet - Feb 10 2023

web find step by step solutions and answers to mastering chemistry with pearson etext standalone access card for chemistry 9780134553269 as well as thousands of textbooks so you can move forward with confidence

chemistry assessment answers mastering concepts uniport edu - Feb 27 2022

web jun 18 2023 chemistry assessment answers mastering concepts thank you for reading chemistry assessment answers mastering concepts maybe you have knowledge that people have search numerous times for their favorite books like this chemistry assessment answers mastering concepts but end up in harmful downloads

test 2 face 2 face f2f pre intermediate liveworksheets com - Jan 07 2023

web face2face progress test pre intermediate test your english vocabulary in use pre intermediate and intermediate oct 27 2021 this addition to the best selling english

face to face pre intermediate test isl collective - Mar 09 2023

web past simple and past continuous online worksheet for grade 3 pre intermediate you can do the exercises online or download the worksheet as pdf

pdf face2face progress test pre intermediate - Nov 05 2022

web face2face intermediate test 1 worksheet tests and exams worksheets test 1 level intermediate age 16 100 downloads 140 varied english test level elementary age

progress test 10 face2face pre intermediate pdf scribd - Aug 14 2023

web progress test 10 face2face pre intermediate free download as word doc doc docx pdf file pdf or read online for free

second edition face2face cambridge university press - Jul 13 2023

web pre intermediate teacher s book chris redston jeremy day with gillie cunningham c a m b r i d g e u n i v e r s i t y p r e s

s cambridge new york melbourne madrid cape

[face 2 face progress test pdfsayer](#) - May 11 2023

web progress test face2face intermediate second edition pdf progress test 1 p241 progress test 2 p242 p243 progress test 4 p244 progress test 5 p245

[face2face pre intermediate unit 1 quizizz](#) - Dec 06 2022

web face2face upper intermediate teacher progress test english elementary progress test two screenshots from cd 11

face2face pre intermediate progress test key face2face

[face2face intermediate test 1 esl worksheet by profa andreia](#) - Sep 03 2022

web face2face pre intermediate second ed testmaker cd rom audio cd 2 3 týdny poslat příteli tisk 667 kčnaše cena 15 785 kčpůvodní cena množství popis face2face

[face2face upper intermediate progress test pdf scribd](#) - Jan 27 2022

web jul 1 2023 getting this info acquire the face2face progress test pre intermediate member that we offer here and check out the link you could buy guide face2face

face2face progress test pre intermediate copy uniport edu - Nov 24 2021

progress test face2face intermediate second edition axelos - Mar 29 2022

web face2face upper intermediate progress test original title 189840256 face2face upper intermediate progress test uploaded by zarko kovacevic description 189840256

[progress test face2face intermediate second edition issuu](#) - May 31 2022

web you could purchase lead progress test face2face intermediate second edition or acquire it as soon as feasible you face2face pre intermediate workbook without

[face 2 face upper Intermediate progress test 10 answer key](#) - Dec 26 2021

web may 27 2023 face2face progress test pre intermediate 2 9 downloaded from uniport edu ng on may 27 2023 by guest cd rom audio cd with over 200 exercises in

face2face pre intermediate second ed testmaker cd rom - Jul 01 2022

web face2face upper intermediate progress test uploaded by milena mandic october 2019 pdf bookmark this document was uploaded by user and they confirmed that

[face2face progress test 2 pdf scribd](#) - Apr 10 2023

web student s edition click on the images below to access sample units from the face2face second edition student s books starter student s book elementary student s book

[face2face 2nd edition student s edition cambridge university](#) - Feb 08 2023

web face2face pre intermediate unit 1 quiz for professional development find other quizzes for and more on quizzz for free
face2face progress test pre intermediate uniport edu - Oct 24 2021

face2face intermediate progress test recordings copy - Aug 02 2022

web jan 20 2018 get progress test face2face intermediate second edition pdf file for free from our online lib this are a summary of resource articles related to progress test

text of face to face intermediate progress test pdfslide net - Feb 25 2022

web face2face intermediate answer key perigeum com progress test 12 answers face2face pre intermediate progress test answer key unit 1 the chemistry of life

[pdf face2face progress test 1 pdfslide net](#) - Jun 12 2023

web 8192019 face2face progress test 1 11 cambridge university press 2012 face2face second edition pre intermediate photocopiablenstructions p237 4 make sentences and

face2face progress test 3 google docs google sheets - Oct 04 2022

web face2face intermediate progress test recordings ile progress test pre intermediate level a2 b1 dec 04 2021 web book a trial lesson if you never learned online book our 1

[face2face upper intermediate progress test documents and](#) - Apr 29 2022

web text of face to face intermediate progress test pdf filestraightforward upper intermediate progress page 1 face to face intermediate progress test pdf free

timekeepers how the world became obsessed with time - Jan 08 2023

web timekeepers is a vivid exploration of the ways we have perceived contained and saved time over the last 250 years narrated in the highly inventive and entertaining style that bestselling author simon garfield is fast making his own

[timekeepers how the world became obsessed with ti pdf](#) - Mar 30 2022

web the most accurate clock in the world which exists only on paper discovers that now actually happened a split second ago finds a twenty fifth hour in the day lives in the arctic to lose all sense

timekeepers how the world became obsessed with time - Apr 11 2023

web jul 6 2017 timekeepers is a book about our obsession with time and our desire to measure it control it sell it film it perform it immortalise it and make it meaningful it has two simple intentions to tell some illuminating stories and to ask whether we have all gone completely nuts

timekeepers how the world became obsessed with ti - Feb 26 2022

web jun 17 2023 look guide timekeepers how the world became obsessed with time as you such as by searching the title publisher or authors of guide you essentially want you can discover them rapidly in the house workplace or perhaps in your method can be every best area within net connections

timekeepers how the world became obsessed with time - Sep 04 2022

web mar 19 2019 timekeepers how the world became obsessed with time by simon garfield synopsis time flies like an arrow but fruit flies like a banana the beatles learn to be brilliant in an hour and a half an englishman arrives back from calcutta but refuses to adjust his watch beethoven has his symphonic wishes ignored

timekeepers how the world became obsessed with time - Dec 07 2022

web to this end timekeepers examines the history of our ever accelerating world and in miniature looks at our desire to bring that world down to size so that we may better understand it his latest book is a history of a remarkable thing the attempt to gather all the knowledge in the world in one place

timekeepers how the world became obsessed with time - Aug 03 2022

web merely said the timekeepers how the world became obsessed with time is universally compatible gone any devices to read timeless alexandra monir 2012 03 13 when tragedy strikes michele windsor s world she is forced to uproot her life and move across the country to new york city to live with the wealthy aristocratic grandparents she s

timekeepers how the world became obsessed with time - Aug 15 2023

web timekeepers is a book about our obsession with time and our desire to measure it control it sell it film it perform it immortalize it and make it meaningful in this fascinating anecdotal exploration award winning author simon garfield has two simple to tell some illuminating stories and to ask whether we have all gone completely nuts

timekeepers by simon garfield overdrive - Nov 06 2022

web sep 29 2016 timekeepers is a book about our obsession with time and our desire to measure it control it sell it film it perform it immortalize it and make it meaningful in this fascinating anecdotal exploration award winning author simon garfield has two simple intentions to tell some illuminating stories and to ask whether we have all gone

timekeepers how the world became obsessed with time by - May 12 2023

web oct 3 2016 as he makes clear in this intriguing investigation of our obsession with timekeeping we have become slaves to the watch and the calendar time once passive is now aggressive he tells us

timekeepers how the world became obsessed with time - Dec 27 2021

web timekeepers how the world became obsessed with time 3 3 damaged clock can fracture time and a destroyed one can stop it completely a prodigy mechanic who can repair not only clockwork but time itself determined to rescue his father from a stopped town a series of mysterious bombings that could jeopardize all of england a romance that

timekeepers how the world became obsessed with ti - Jan 28 2022

web by just checking out a book timekeepers how the world became obsessed with ti after that it is not directly done you could endure even more going on for this life in relation to the world we pay for you this proper as capably as easy exaggeration to get those all

timekeepers how the world became obsessed with time - Feb 09 2023

web timekeepers is a vivid exploration of the ways we have perceived contained and saved time over the last 250 years narrated in simon garfield s typically inventive and entertaining style as managing time becomes one of the greatest challenges we face in our lives this multi layered history helps us understand it in a sparkling new light

timekeepers how the world became obsessed with ti pdf - Jun 01 2022

web 2 timekeepers how the world became obsessed with ti 2021 01 17 and his gauntlet of consequences the bonus essay included in this volume stealing tomorrow is a hard to find harlan ellison masterwork an exploration of the rebellious nature of the writer s soul waxing poetic on humankind s intellectual capabilities

timekeepers how the world became obsessed with time - Jul 14 2023

web sep 29 2016 by the bestselling author of just my type a thoroughly enjoyable and illuminating journey into the concept of time stuffed with fascinating material observer uk timekeepers is a book about our obsession with time and our desire to measure it control it sell it film it perform it immortalize it and make it meaningful in this

timekeepers how the world became obsessed with ti - Apr 30 2022

web timekeepers how the world became obsessed with ti 3 3 next the invention of railways and telegraphs however created a newly interconnected world where suddenly the time differences between cities mattered the clocks are telling lies is an exploration of why we tell time the way we do demonstrating that organizing a new global time

timekeepers how the world became obsessed with ti copy - Oct 05 2022

web timekeepers how the world became obsessed with ti 3 3 victorian world controlled by clock towers where a damaged clock can fracture time and a destroyed one can stop it completely a prodigy mechanic who can repair not only clockwork but time itself determined to rescue his father from a stopped town a series of mysterious bombings

pdf epub timekeepers how the world became obsessed - Mar 10 2023

web sep 18 2020 timekeepers is a book about our obsession with time and our desire to measure it control it sell it film it perform it immortalise it and make it meaningful it has two simple intentions to tell some illuminating stories and to ask whether we have all gone completely nuts

timekeepers how the world became obsessed with time - Jul 02 2022

web dec 4 2018 timekeepers is a book about our obsession with time and our desire to measure it control it sell it film it

perform it immortalise it and make it meaningful it has two simple intentions to tell some illuminating stories and to ask whether we have all gone completely nuts

timekeepers how the world became obsessed with time - Jun 13 2023

web dec 4 2018 buy timekeepers how the world became obsessed with time on amazon com free shipping on qualified orders timekeepers how the world became obsessed with time garfield simon 9781782113218 amazon com books