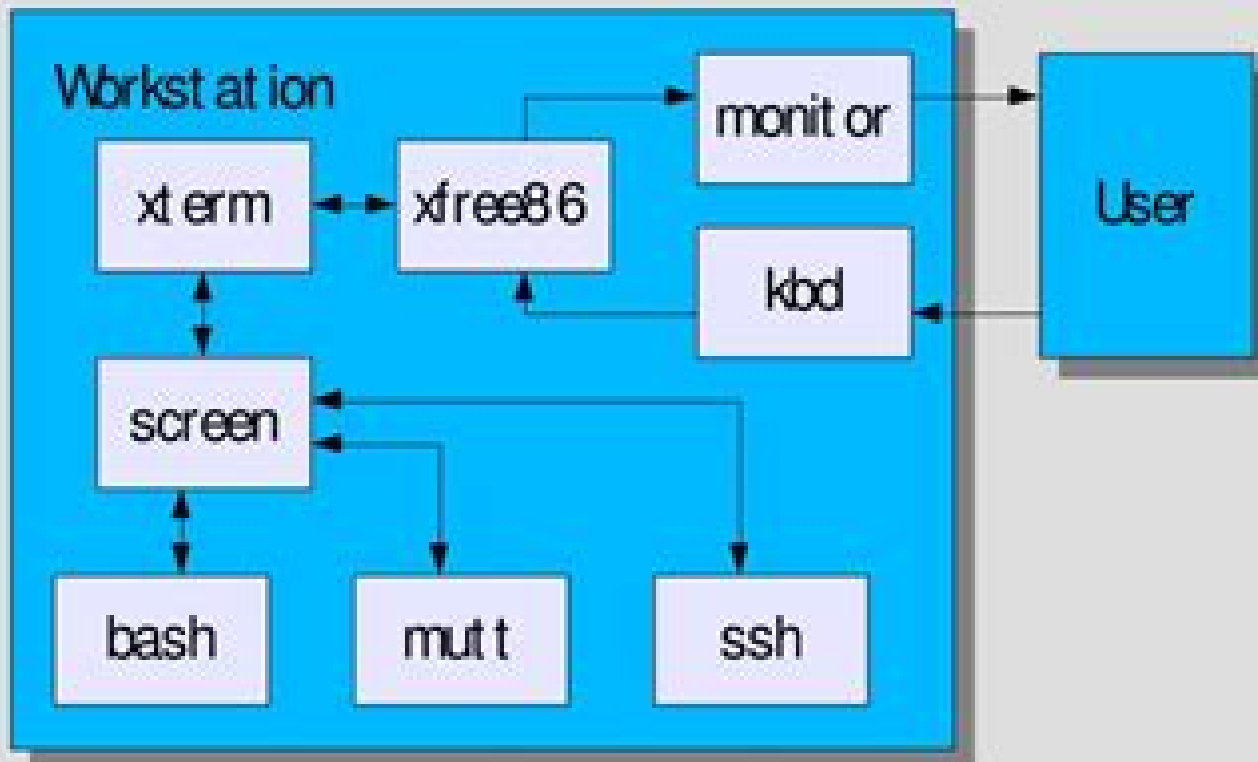


GNU screen



Gnu Screen User Manual

H. Mitchel



Gnu Screen User Manual:

Raspberry Pi Home Automation with Arduino - Second Edition Andrew K. Dennis,2015-02-25 If you are new to the Raspberry Pi the Arduino or home automation and wish to develop some amazing projects using these tools then this book is for you Any experience in using the Raspberry Pi would be an added advantage User Manual for the Interactive Geometry Software Cinderella Jürgen Richter-Gebert,Ulrich H. Kortenkamp,2012-12-06 Cinderella is a unique technically very sophisticated teachware for geometry It will be used as a tool by students learning Euclidean projective spherical and hyperbolic geometry as well as in geometric research by scientists Moreover it can also serve as an authors tool to design web pages with interactive constructions or even complete geometry exercises *The Definitive Guide to GCC* Kurt Wall,William von Hagen,2008-01-01 The Definitive Guide to GCC is a comprehensive tutorial and guide to using GCC the GNU Compiler Collection GCC is quite simply the most used and most powerful tool for programmers on the planet GCC has long been available for most major hardware and operating system platforms and is often the preferred compiler for those platforms As a general purpose compiler GCC produces higher quality faster performing executable code with fewer bugs than equivalent offerings supplied by hardware and software vendors GCC along with GNU Emacs the Linux operating system the Apache web server the Sendmail mail server and the BIND DNS server is one of the showpieces of the free software world and proof that sometimes you can get a free lunch In The Definitive Guide to GCC authors William von Hagen and Kurt Wall teach you how to build install customize use and troubleshoot GCC 3.2 This guide goes beyond just command line invocations to show you how to use GCC to improve the quality of your code with debugging code profiling and test code coverage and how to integrate other GNU development tools such as libtool automake and autoconf into your GCC based development projects **Getting Started with Intel Edison** Stephanie Moyerman,2015-11-03 The Intel Edison is a crowning achievement of Intel s adaptation of its technology into maker friendly products They ve packed the dual core power of the Atom CPU combined it with a sideboard microcontroller brain and added in Wi Fi Bluetooth Low Energy and a generous amount of RAM 1GB and flash storage 4GB This book written by Stephanie Moyerman a research scientist with Intel s Smart Device Innovation Team teaches you everything you need to know to get started making things with Edison the compact and powerful Internet of Things platform Projects and tutorials include Controlling devices over Bluetooth Using Python and Arduino programming environments on Edison Tracking objects with a webcam and OpenCV Responding to voice commands and talking back Using and configuring Linux on Edison A Practical Guide to Ubuntu Linux Mark G. Sobell,2011 The Most Complete Easy to Follow Guide to Ubuntu Linux The 1 Ubuntu server resource fully updated for Ubuntu 10.4 Lucid Lynx the Long Term Support LTS release many companies will rely on for years Updated JumpStarts help you set up Samba Apache Mail FTP NIS OpenSSH DNS and other complex servers in minutes Hundreds of up to date examples plus comprehensive indexes that deliver instant access to answers you can trust Mark Sobell s A Practical Guide to

Ubuntu Linux Third Edition is the most thorough and up to date reference to installing configuring and working with Ubuntu and also offers comprehensive coverage of servers critical for anybody interested in unleashing the full power of Ubuntu This edition has been fully updated for Ubuntu 10 04 Lucid Lynx a milestone Long Term Support LTS release which Canonical will support on desktops until 2013 and on servers until 2015 Sobell walks you through every essential feature and technique from installing Ubuntu to working with GNOME Samba exim4 Apache DNS NIS LDAP g ufw firestarter iptables even Perl scripting His exceptionally clear explanations demystify everything from networking to security You ll find full chapters on running Ubuntu from the command line and desktop GUI administrating systems setting up networks and Internet servers and much more Fully updated JumpStart sections help you get complex servers running often in as little as five minutes Sobell draws on his immense Linux knowledge to explain both the hows and the whys of Ubuntu He s taught hundreds of thousands of readers and never forgets what it s like to be new to Linux Whether you re a user administrator or programmer you ll find everything you need here now and for many years to come The world s most practical Ubuntu Linux book is now even more useful This book delivers Hundreds of easy to use Ubuntu examples Important networking coverage including DNS NFS and Cacti Coverage of crucial Ubuntu topics such as sudo and the Upstart init daemon More detailed usable coverage of Internet server configuration including Apache Web and exim4 email servers State of the art security techniques including up to date firewall setup techniques using gufw and iptables and a full chapter on OpenSSH A complete introduction to Perl scripting for automated administration Deeper coverage of essential admin tasks from managing users to CUPS printing configuring LANs to building a kernel Complete instructions on keeping Ubuntu systems up to date using aptitude Synaptic and the Software Sources window And much more including a 500 term glossary Includes DVD Get the full version of Lucid Lynx the latest Ubuntu LTS release

Operating Systems and Infrastructure in Data Science Josef

Spillner,2023-09-22 Programming DataOps Data Concepts Applications Workflows Tools Middleware Collaborative Platforms Cloud Facilities Modern data scientists work with a number of tools and operating system facilities in addition to online platforms Mastering these in combination to manage their data and to deploy software models and data as ready to use online services as well as to perform data science and analysis tasks is in the focus of Operating Systems and Infrastructure in Data Science Readers will come to understand the fundamental concepts of operating systems and to explore plenty of tools in hands on tasks and thus gradually develop the skills necessary to compose them for programming in the large an essential capability in their later career The book guides students through semester studies acts as reference knowledge base and aids in acquiring the necessary knowledge skills and competences especially in self study settings A unique feature of the book is the associated access to Edushell a live environment to practice operating systems and infrastructure tasks

A Practical Guide to Linux Commands, Editors, and Shell Programming Mark G. Sobell,2009-11-19 For use with all versions of Linux including Ubuntu Fedora openSUSE Red Hat Debian Mandriva Mint and now OS X too Get more done

faster and become a true Linux guru by mastering the command line Learn from hundreds of realistic high quality examples
NEW Coverage of the Mac OS X command line and its unique tools NEW Expert primer on automating tasks with Perl The
Most Useful Linux Tutorial and Reference with Hundreds of High Quality Examples for Every Distribution Now Covers OS X
and Perl Too To be truly productive with Linux you need to thoroughly master shells and the command line Until now you had
to buy two books to gain that mastery a tutorial on fundamental Linux concepts and techniques plus a separate reference
Now there s a far better solution Renowned Linux expert Mark Sobell has brought together comprehensive insightful
guidance on the tools system administrators developers and power users need most and an outstanding day to day reference
both in the same book This book is 100 percent distribution and release agnostic You can use it with any Linux system now
and for years to come Use Macs too This new edition adds comprehensive coverage of the Mac OS X command line including
essential OS X only tools and utilities other Linux UNIX books ignore Packed with hundreds of high quality realistic examples
this book gives you Linux from the ground up the clearest explanations and most useful knowledge about everything from
filesystems to shells editors to utilities and programming tools to regular expressions Sobell has also added an outstanding
new primer on Perl the most important programming tool for Linux admins seeking to automate complex time consuming
tasks A Practical Guide to Linux Commands Editors and Shell Programming Second Edition is the only book to deliver Better
more realistic examples covering tasks you ll actually need to perform Deeper insight based on Sobell s immense knowledge
of every Linux and OS X nook and cranny A start to finish primer on Perl for every system administrator In depth coverage of
basic and advanced Linux shell programming with bash and tcsh Practical explanations of 100 core utilities from aspell to
xargs including Mac OS X specific utilities from ditto to SetFile All new coverage of automating remote backups with rsync
Dozens of system security tips including step by step walkthroughs of implementing secure communications using ssh and
scp Tips and tricks for customizing the shell and using it interactively from the command line Complete guides to high
productivity editing with both vim and emacs A comprehensive 286 page command reference section now with revised and
expanded indexes for faster access to the information you need Instructions for updating systems automatically with apt get
and yum Dozens of exercises to help you practice and gain confidence And much more including coverage of BitTorrent gawk
sed find sort bzip2 and regular expressions

SUSE Linux 9.3 For Dummies Naba Barkakati, 2005-05-20 Includes DVD
with SUSE Linux 9.3 special edition

The Handbook of Software for Engineers and Scientists Paul W.
Ross, 1995-10-25 The Handbook of Software for Engineers and Scientists is a single volume ready reference for the practicing
engineer and scientist in industry government and academia as well as the novice computer user It provides the most up to
date information in a variety of areas such as common platforms and operating systems applications programs networking
and many other problem solving tools necessary to effectively use computers on a daily basis Specific platforms and
environments thoroughly discussed include MS DOS Microsoft Windows™ the Macintosh and its various systems UNIX™

DEC VAX™ IBM mainframes OS 2 Windows™ NT and NeXTSTEP™ Word processing desktop publishing spreadsheets databases integrated packages computer presentation systems groupware and a number of useful utilities are also covered Several extensive sections in the book are devoted to mathematical and statistical software Information is provided on circuits and control simulation programs finite element tools and solid modeling tools Additional coverage is included on data communications and networking Many appendices at the end of the book provide useful supplemental information such as ASCII codes RS 232 parallel port and pinout information and ANSI escape sequences This valuable resource handbook brings together a wide variety of topics and offers a wealth of information at the reader's fingertips

The OSCP Exam Handbook: From Basics to Exploits H. Mitchel, 2025-10-23 The OSCP Exam Handbook From Basics to Exploits Practical Prep Lab Methodology by H Mitchel is a focused hands on guide designed to help candidates prepare for the Offensive Security Certified Professional OSCP PEN 200 exam and build real world offensive security skills in a safe ethical manner

If you ally need such a referred **Gnu Screen User Manual** ebook that will offer you worth, get the unquestionably best seller from us currently from several preferred authors. If you desire to hilarious books, lots of novels, tale, jokes, and more fictions collections are furthermore launched, from best seller to one of the most current released.

You may not be perplexed to enjoy every books collections Gnu Screen User Manual that we will very offer. It is not on the order of the costs. Its approximately what you compulsion currently. This Gnu Screen User Manual, as one of the most committed sellers here will very be in the course of the best options to review.

https://staging.conocer.cide.edu/book/book-search/fetch.php/How_Institutions_Think.pdf

Table of Contents Gnu Screen User Manual

1. Understanding the eBook Gnu Screen User Manual
 - The Rise of Digital Reading Gnu Screen User Manual
 - Advantages of eBooks Over Traditional Books
2. Identifying Gnu Screen User Manual
 - Exploring Different Genres
 - Considering Fiction vs. Non-Fiction
 - Determining Your Reading Goals
3. Choosing the Right eBook Platform
 - Popular eBook Platforms
 - Features to Look for in an Gnu Screen User Manual
 - User-Friendly Interface
4. Exploring eBook Recommendations from Gnu Screen User Manual
 - Personalized Recommendations
 - Gnu Screen User Manual User Reviews and Ratings
 - Gnu Screen User Manual and Bestseller Lists
5. Accessing Gnu Screen User Manual Free and Paid eBooks

- Gnu Screen User Manual Public Domain eBooks
 - Gnu Screen User Manual eBook Subscription Services
 - Gnu Screen User Manual Budget-Friendly Options
6. Navigating Gnu Screen User Manual eBook Formats
 - ePub, PDF, MOBI, and More
 - Gnu Screen User Manual Compatibility with Devices
 - Gnu Screen User Manual Enhanced eBook Features
 7. Enhancing Your Reading Experience
 - Adjustable Fonts and Text Sizes of Gnu Screen User Manual
 - Highlighting and Note-Taking Gnu Screen User Manual
 - Interactive Elements Gnu Screen User Manual
 8. Staying Engaged with Gnu Screen User Manual
 - Joining Online Reading Communities
 - Participating in Virtual Book Clubs
 - Following Authors and Publishers Gnu Screen User Manual
 9. Balancing eBooks and Physical Books Gnu Screen User Manual
 - Benefits of a Digital Library
 - Creating a Diverse Reading Collection Gnu Screen User Manual
 10. Overcoming Reading Challenges
 - Dealing with Digital Eye Strain
 - Minimizing Distractions
 - Managing Screen Time
 11. Cultivating a Reading Routine Gnu Screen User Manual
 - Setting Reading Goals Gnu Screen User Manual
 - Carving Out Dedicated Reading Time
 12. Sourcing Reliable Information of Gnu Screen User Manual
 - Fact-Checking eBook Content of Gnu Screen User Manual
 - Distinguishing Credible Sources
 13. Promoting Lifelong Learning
 - Utilizing eBooks for Skill Development

- Exploring Educational eBooks
14. Embracing eBook Trends
- Integration of Multimedia Elements
 - Interactive and Gamified eBooks

Gnu Screen User Manual Introduction

Gnu Screen User Manual Offers over 60,000 free eBooks, including many classics that are in the public domain. Open Library: Provides access to over 1 million free eBooks, including classic literature and contemporary works. Gnu Screen User Manual Offers a vast collection of books, some of which are available for free as PDF downloads, particularly older books in the public domain. Gnu Screen User Manual : This website hosts a vast collection of scientific articles, books, and textbooks. While it operates in a legal gray area due to copyright issues, its a popular resource for finding various publications. Internet Archive for Gnu Screen User Manual : Has an extensive collection of digital content, including books, articles, videos, and more. It has a massive library of free downloadable books. Free-eBooks Gnu Screen User Manual Offers a diverse range of free eBooks across various genres. Gnu Screen User Manual Focuses mainly on educational books, textbooks, and business books. It offers free PDF downloads for educational purposes. Gnu Screen User Manual Provides a large selection of free eBooks in different genres, which are available for download in various formats, including PDF. Finding specific Gnu Screen User Manual, especially related to Gnu Screen User Manual, might be challenging as theyre often artistic creations rather than practical blueprints. However, you can explore the following steps to search for or create your own Online Searches: Look for websites, forums, or blogs dedicated to Gnu Screen User Manual, Sometimes enthusiasts share their designs or concepts in PDF format. Books and Magazines Some Gnu Screen User Manual books or magazines might include. Look for these in online stores or libraries. Remember that while Gnu Screen User Manual, sharing copyrighted material without permission is not legal. Always ensure youre either creating your own or obtaining them from legitimate sources that allow sharing and downloading. Library Check if your local library offers eBook lending services. Many libraries have digital catalogs where you can borrow Gnu Screen User Manual eBooks for free, including popular titles. Online Retailers: Websites like Amazon, Google Books, or Apple Books often sell eBooks. Sometimes, authors or publishers offer promotions or free periods for certain books. Authors Website Occasionally, authors provide excerpts or short stories for free on their websites. While this might not be the Gnu Screen User Manual full book , it can give you a taste of the authors writing style. Subscription Services Platforms like Kindle Unlimited or Scribd offer subscription-based access to a wide range of Gnu Screen User Manual eBooks, including some popular titles.

FAQs About Gnu Screen User Manual Books

1. Where can I buy Gnu Screen User Manual books? Bookstores: Physical bookstores like Barnes & Noble, Waterstones, and independent local stores. Online Retailers: Amazon, Book Depository, and various online bookstores offer a wide range of books in physical and digital formats.
2. What are the different book formats available? Hardcover: Sturdy and durable, usually more expensive. Paperback: Cheaper, lighter, and more portable than hardcovers. E-books: Digital books available for e-readers like Kindle or software like Apple Books, Kindle, and Google Play Books.
3. How do I choose a Gnu Screen User Manual book to read? Genres: Consider the genre you enjoy (fiction, non-fiction, mystery, sci-fi, etc.). Recommendations: Ask friends, join book clubs, or explore online reviews and recommendations. Author: If you like a particular author, you might enjoy more of their work.
4. How do I take care of Gnu Screen User Manual books? Storage: Keep them away from direct sunlight and in a dry environment. Handling: Avoid folding pages, use bookmarks, and handle them with clean hands. Cleaning: Gently dust the covers and pages occasionally.
5. Can I borrow books without buying them? Public Libraries: Local libraries offer a wide range of books for borrowing. Book Swaps: Community book exchanges or online platforms where people exchange books.
6. How can I track my reading progress or manage my book collection? Book Tracking Apps: Goodreads, LibraryThing, and Book Catalogue are popular apps for tracking your reading progress and managing book collections. Spreadsheets: You can create your own spreadsheet to track books read, ratings, and other details.
7. What are Gnu Screen User Manual audiobooks, and where can I find them? Audiobooks: Audio recordings of books, perfect for listening while commuting or multitasking. Platforms: Audible, LibriVox, and Google Play Books offer a wide selection of audiobooks.
8. How do I support authors or the book industry? Buy Books: Purchase books from authors or independent bookstores. Reviews: Leave reviews on platforms like Goodreads or Amazon. Promotion: Share your favorite books on social media or recommend them to friends.
9. Are there book clubs or reading communities I can join? Local Clubs: Check for local book clubs in libraries or community centers. Online Communities: Platforms like Goodreads have virtual book clubs and discussion groups.
10. Can I read Gnu Screen User Manual books for free? Public Domain Books: Many classic books are available for free as they're in the public domain. Free E-books: Some websites offer free e-books legally, like Project Gutenberg or Open Library.

Find Gnu Screen User Manual :

how institutions think.

how i became a nurse entrepreneur tales from fifty nurses in business

how should white collar crime be controlled

how to be a revolutionary war soldier

how to be a better-than-average in-law

how to be an assetive woman

how the rabbis liberated women

how foreign policy decisions are made in the third world a comparative analysis

hover hover a manual van der kaap

how i made over \$50000 in real estate with no cash

how good is your limit hold em

how not to catch a cold

how did we find out about robots asimov isaac how did we find out--series.

how mr. pan weathered the storm pandas

how my family came to be daddy papa and me

Gnu Screen User Manual :

diy function generator icl8038 0 hz 400khz instructables - Sep 04 2022

web diy function generator icl8038 0 hz 400khz function generators are very useful tool in electronics bench but it can be quite expensive but we have many options to build it cheaply in this project we use icl8038

using icl8038 as a vco electrical engineering stack exchange - Dec 07 2022

web i wanted to use this function generator ic as a voltage controlled frequency output especially to obtain low frequency sine waves but unlike many implementations i wanted to control the frequency not by a using potentiometer but instead

icl8038 mit - Jun 13 2023

web the icl8038 waveform generator is a monolithic integrated circuit capable of producing high accuracy sine square triangular sawtooth and pulse waveforms with a minimum of external components

icl8038 function generator pdf amplitude operational - Mar 30 2022

web f07 03 2021 icl8038 function generator the biggest problem of these circuits generators is strong distortion on sine wave

output pin 2 at frequencies above 100khz so most of the solutions based on this chip has a limited frequency i

function generator circuit using icl8038 pulse generator ic - May 12 2023

web nov 9 2018 in this circuit tutorial we re building a simple function generator circuit which can generate waveforms sine waves square waves and triangular waves the core of this circuit is ic l8038 which is basically a function generator chip capable of generating different waveforms

icl8038 function generator youtube - Feb 26 2022

web function and operation of icl8038 function generator

intersil icl8038 wikipedia - Jan 08 2023

web the icl8038 waveform generator was an integrated circuit by intersil designed to generate sine square and triangular waveforms based on bipolar monolithic technology involving schottky barrier diodes

diy function signal generator using icl8038 circuits diy - Jan 28 2022

web jan 23 2022 the icl8038 is a function generator chip that can generate waveforms such as a triangle square sine pulse and sawtooth these sine square and triangle wave shapes may all be created at the same time controlling parameters such as frequency duty cycle and distortion of these functions is possible

function generator using icl8038 delabs electronic circuits - Oct 05 2022

web icl8038 and xr 2206 can help you build a function generator or wavform generator it is needed along with the oscilloscope and power supply on the workbench the icl8038 waveform generator is a monolithic integrated circuit capable of producing high accuracy sine square triangular sawtooth and pulse waveforms with a minimum of external

diy function signal generator using icl8038 schematic pcb - Jun 01 2022

web diy function signal generator using icl8038 schematic pcb easy one 78 8k subscribers join subscribe 372 share save 15k views 2 years ago inverter diy pcb function signal generator

function generator circuit using icl8038 gadgetronicx - Aug 03 2022

web jun 10 2014 the icl8038 is a function generator chip that can generate three basic signals such as sine square and triangle waveforms the ic has also provided room to adjust the important parameters of a waveform such as frequency and duty cycle the frequency of the signal can be modified from 0 001khz to 300khz using external

[icl8038 function generator youtube](#) - Dec 27 2021

web sep 24 2017 about press copyright contact us creators advertise developers terms privacy policy safety how youtube works test new features nfl sunday ticket press copyright

function generator with icl8038 lab projects bd - Jul 02 2022

web apr 13 2020 in this article we will learn to make a function generator using icl8038 ic a function generator is a very

useful device for anyone who works with electronics sine wave triangular wave square wave are the basic wave shapes we [everything you always wanted to know about the icl8038 mit](#) - Mar 10 2023

web the 8038 is a function generator capable of producing sine square triangular sawtooth and pulse waveforms some at the same time since its introduction marketing and application engineers have been manning the phones explaining the care and feeding of the 8038 to customers worldwide

icl8038 mini function generator circuits eleccircuit com - Aug 15 2023

web sep 26 2019 last updated on august 4 2022 by apichet garaipoom this is the mini function generator circuit using icl8038 precision waveform generator voltage controlled oscillator it will generate output 3 waveform sine wave signal triangle and square wave signals

chip hall of fame intersil icl8038 waveform generator - Nov 06 2022

web jun 30 2017 icl8038 waveform generator manufacturer intersil category amplifiers and audio year circa 1983 initially critics scoffed at the 8038 s limited performance and propensity for behaving

icl8038 function generator circuit build basic test circuit youtube - Apr 11 2023

web this video covers in detail how to build the basic test circuit found in the datasheet of the icl 8038 i am using the dso shell oscilloscope which is a cheap and descent scope for basic projects

icl8038 waveform generator functions applications - Apr 30 2022

web apr 8 2022 description the icl8038 waveform generator is a monolithic integrated circuit capable of producing high accuracy sine square triangular sawtooth and pulse waveforms with a minimum of external components

icl8038 datasheet pdf intersil corporation - Jul 14 2023

web the icl8038 waveform generator is a monolithic integrated circuit capable of producing high accuracy sine square triangular sawtooth and pulse waveforms with a minimum of external components

icl8038 function generator electronics diy - Feb 09 2023

web icl8038 function generator function generator with adjustable frequency from 0 hz to over 400 khz adjustable amplitude dc offset duty and of course the function selection square triangle and sine generator based on good old icl8038 integrated chip generator that gives pretty good shaped signals as for amateur purposes

corto maltese ii und immer ein stuck weiter sylvain runberg - Dec 06 2022

web corto maltese ii und immer ein stuck weiter corto maltese ii und immer ein stuck weiter 3 downloaded from old restorativejustice org on 2023 05 26 by guest this

corto maltese und immer ein stück weiter pratt hugo - Aug 02 2022

web corto maltese und immer ein stück weiter finden sie alle bücher von pratt hugo bei der büchersuchmaschine eurobuch

com können sie antiquarische und neubücher

[corto maltese ii und immer ein stück weiter bk swordsswords](#) - Feb 25 2022

web corto maltese ii und immer ein stück weiter 3 3 in das familienhaus ihres mannes während ihr mann zur see fährt bleibt es an ihr sich um haus und schwiegermutter zu

[corto maltese ii und immer ein stück weiter marco armiero pdf](#) - Oct 04 2022

web corto maltese ii und immer ein stück weiter corto maltese ii und immer ein stück weiter 3 downloaded from donate pfi org on 2021 05 24 by guest rescue him but to do

corto maltese 2 und immer ein stück weiter comic klassiker - Feb 08 2023

web corto maltese 2 und immer ein stück weiter comic klassiker zustand 4 eur 1 00 zu verkaufen corto maltese 2 und immer ein stück weiter comic

[corto maltese und immer ein stück weiter cong sa](#) - Jan 07 2023

web in diesen abenteuerlichen episoden aus dem leben von corto maltese geht es um idealisten und treue gefährten um verräter und verratenen sechs geschichten die von

[corto maltese en allemand 2 und immer ein stück weiter](#) - Mar 09 2023

web aug 31 2023 série corto maltese en allemand titre und immer ein stück weiter tome 2 identifiant 480915 scénario pratt hugo

[corto maltese ii und immer ein stück weiter uniport edu](#) - Mar 29 2022

web jun 7 2023 corto maltese ii und immer ein stück weiter is available in our book collection an online access to it is set as public so you can get it instantly our digital

corto maltese ii und immer ein stück weiter klantenhandboek - Apr 29 2022

web maltese ii und immer ein stück weiter that you are looking for it will very squander the time however below taking into consideration you visit this web page it will be as a

corto maltese und immer ein stück weiter cortomaltese - Aug 14 2023

web corto maltese und immer ein stück weiter cortomaltese deutsche corto maltese und immer ein stück weiter in der dritten geschichte der 12 teiligen reihe erreicht

corto maltese ii und immer ein stück weiter josep pla pdf - Nov 24 2021

web corto maltese ii und immer ein stück weiter can be one of the options to accompany you behind having supplementary time it will not waste your time receive me the e

corto maltese ii und immer ein stück weiter pratt hugo - May 11 2023

web corto maltese ii und immer ein stück weiter finden sie alle bücher von pratt hugo bei der büchersuchmaschine eurobuch

com können sie antiquarische und neubücher

corto maltese fernsehserien de - Jan 27 2022

web corto maltese i f 2002 2004 jetzt kaufen animation 7 tv filme originalsprache französisch kapitän corto maltese

durchschippert anfang des 20 jahrhunderts die

corto maltese ii und immer ein stück weiter - Jul 01 2022

web in some cases you likewise complete not discover the proclamation corto maltese ii und immer ein stück weiter that you are looking for it will utterly squander the time

corto maltese 3 und immer ein stück weiter issue comic vine - Dec 26 2021

web jul 5 2021 new comics forums gen discussion bug reporting delete combine pages

corto maltese ii und immer ein stück weiter josep pla copy - May 31 2022

web corto maltese ii und immer ein stück weiter corto maltese ii und immer ein stück weiter 2 downloaded from old

restorativejustice org on 2022 07 02 by guest crumb

corto maltese ii und immer ein stück weiter broschiert - Jul 13 2023

web corto maltese ii und immer ein stück weiter isbn 9783551024022 kostenloser versand für alle bücher mit versand und verkauf duch amazon

corto maltese 3 und immer ein stück weiter gebundene - Jun 12 2023

web schreiber leser bringt die reihe chronologisch in schön aufgemachten hardcover bände heraus die teilweise schon in zweiten und dritten auflagen vorliegen auf

corto maltese und immer ein stück weiter weltbild - Sep 03 2022

web bücher bei weltbild jetzt corto maltese und immer ein stück weiter von hugo pratt versandkostenfrei online kaufen bei weltbild ihrem bücher spezialisten

corto maltese 4 und immer ein stück weiter issue - Apr 10 2023

web um sich dem mörderischen wahnsinn zu entziehen fährt corto maltese den orinoco hinauf immer tiefer in den dschungel hinein aber vor den opfern und den phantomen

corto maltese 2 und immer ein stück weiter 1 aufl carlsen - Nov 05 2022

web corto maltese 2 und immer ein stück weiter 1 aufl carlsen 1982 eur 25 00 zu verkaufen inhalt corto maltese der kapitän ohne schiff ist vielleicht der

how to play the blues on guitar 15 steps with pictures wikihow - Dec 31 2021

web carbon offset shipping your purchases also help protect forests including trees traditionally used to make instruments

blues guitar bible guitar recorded versions amazon com - Sep 20 2023

web dec 1 2000 only 4 left in stock more on the way guitar recorded versions this bountiful blues songbook features exact transcriptions of 35 classics including all your

[blues guitar bible guitar recorded versions reverb](#) - Jun 17 2023

web this bountiful blues songbook features exact transcriptions 35 classics including all your love miss lovin boom boom everyday have the blues hide away i can t quit

hal leonard blues rock guitar bible thomann united states - Jul 06 2022

web blues guitar bible author hal leonard publishing corporation dec 2000 amazon com tr kitap

blues guitar bible reverb - Oct 29 2021

[guitar bible blues rock pdf d49odop5m649 documents and e](#) - Feb 01 2022

web this bountiful blues songbook features exact transcriptions of 35 classics including all your love i miss lovin boom boom everyday i have the blues hide away i

[blues guitar bible hal leonard corp amazon com au](#) - Oct 09 2022

web shop and buy blues rock guitar bible 2nd edition sheet music guitar sheet music book by various simon schuster at sheet music plus hl 690450

blues rock guitar bible 2nd edition guitar recorded - Apr 15 2023

web view the product blues rock guitar bible 2nd edition series guitar recorded versions medium format softcover contributors various

[amazon com customer reviews blues guitar bible guitar](#) - Nov 10 2022

web this bountiful blues songbook features exact transcriptions of 35 classics including all your love i miss lovin boom boom everyday i have the blues hide away i

pdf blues rock guitar bible pdf free download pdf - Mar 02 2022

web feb 25 2021 7 play the open string and the 3rd fret of the last two strings the last two strings are identical to the first string simply create this little box between the open string

blues guitar bible guitar recorded version reverb - Nov 29 2021

blues guitar bible google docs - Dec 11 2022

web find helpful customer reviews and review ratings for blues guitar bible guitar recorded versions at amazon com read honest and unbiased product reviews from our users

[blues guitar bible guitar recorded versions paperback](#) - May 16 2023

web this bountiful blues songbook features exact transcriptions of 35 classics including all your love i miss lovin boom boom everyday i have the blues hide away i

[blues guitar bible author hal leonard publishing](#) - Jun 05 2022

web blues guitar bible guitar recorded versions 2000 free ebook download as pdf file pdf or read book online for free

blues rock guitar bible 2nd edition sheet music plus - Sep 08 2022

web guitar recorded version mixedthis bountiful blues songbook features exact transcriptions of 35 classics including all your love i miss lovin boom boom everyday i have

[blues guitar bible guitar recorded versions kağıt kapak](#) - Mar 14 2023

web blues guitar bible guitar recorded versions hal leonard corp amazon com tr Çerez tercihlerinizi seçin Çerez bildirimimizde detaylandırıldığı üzere satın alım yapmanızı

blues guitar bible guitar recorded versions 2000 pdf scribd - May 04 2022

web download blues rock guitar bible pdf free in pdf format account 40 77 167 73 login register search search partner sites youtube to mp3 converter about us this project

[blues guitar bible reverb](#) - Jul 18 2023

web may 25 2023 this bountiful blues songbook features exact transcriptions of 35 classics including all your love i miss lovin boom boom everyday i have the blues

blues guitar bible free download borrow and streaming - Aug 19 2023

web inlibrary printdisabled internetarchivebooks contributor internet archive language english 1 score 240 pages 31 cm for voice and guitar s with chord symbols and

[blues guitar bible guitar recorded versions goodreads](#) - Aug 07 2022

web hal leonard blues rock guitar bible songbook for the electric guitar 34 of the greatest blues rock songs transcribed 33 to the product

blues guitar bible paperback dec 1 2000 amazon ca - Jan 12 2023

web this bountiful blues songbook features exact transcriptions of 35 classics including all your love i miss lovin boom boom everyday i have the blues hide away i

blues guitar bible sheet music plus - Feb 13 2023

web dec 1 2000 blues guitar bible paperback dec 1 2000 by hal leonard music books author 4 5 39 ratings see all formats and editions there is a newer edition of this item

blues rock guitar bible amazon com - Apr 03 2022

web guitar bible blues rock pdf uploaded by bj february 2022 pdf bookmark download this document was uploaded by user

and they confirmed that they have the permission