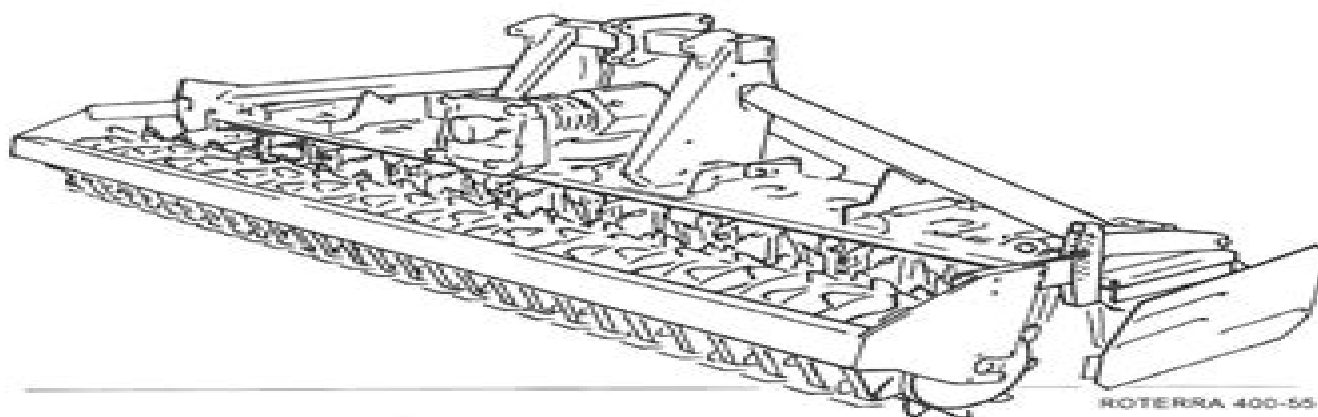


ONDERDELENLIJST
PARTS LIST
LISTE DE PIÈCES DE RECHANGE
ERSATZTEILLISTE

ROTERRA - 55

300 / 400



ROTERRA 400-55

ROTERRA	type number type number numero de type Typenummer	vanaf serienummer as from serial number desde número serie ab Seriennummer
300 - 55	1.1858.0021.1	10701 - 0907
400 - 55	1.1858.0011.1	10608 - 0907



Lely Roterra Manual

O García



Lely Roterra Manual:

Recognizing the habit ways to acquire this book **Lely Roterra Manual** is additionally useful. You have remained in right site to begin getting this info. acquire the Lely Roterra Manual partner that we meet the expense of here and check out the link.

You could buy guide Lely Roterra Manual or get it as soon as feasible. You could speedily download this Lely Roterra Manual after getting deal. So, gone you require the book swiftly, you can straight acquire it. Its in view of that enormously easy and correspondingly fats, isnt it? You have to favor to in this aerate

https://staging.conocer.cide.edu/book/publication/Download_PDFS/Ets_Slla_1010_Study_Guide.pdf

Table of Contents Lely Roterra Manual

1. Understanding the eBook Lely Roterra Manual
 - The Rise of Digital Reading Lely Roterra Manual
 - Advantages of eBooks Over Traditional Books
2. Identifying Lely Roterra Manual
 - Exploring Different Genres
 - Considering Fiction vs. Non-Fiction
 - Determining Your Reading Goals
3. Choosing the Right eBook Platform
 - Popular eBook Platforms
 - Features to Look for in an Lely Roterra Manual
 - User-Friendly Interface
4. Exploring eBook Recommendations from Lely Roterra Manual
 - Personalized Recommendations
 - Lely Roterra Manual User Reviews and Ratings
 - Lely Roterra Manual and Bestseller Lists
5. Accessing Lely Roterra Manual Free and Paid eBooks
 - Lely Roterra Manual Public Domain eBooks

- Lely Roterra Manual eBook Subscription Services
- Lely Roterra Manual Budget-Friendly Options
- 6. Navigating Lely Roterra Manual eBook Formats
 - ePub, PDF, MOBI, and More
 - Lely Roterra Manual Compatibility with Devices
 - Lely Roterra Manual Enhanced eBook Features
- 7. Enhancing Your Reading Experience
 - Adjustable Fonts and Text Sizes of Lely Roterra Manual
 - Highlighting and Note-Taking Lely Roterra Manual
 - Interactive Elements Lely Roterra Manual
- 8. Staying Engaged with Lely Roterra Manual
 - Joining Online Reading Communities
 - Participating in Virtual Book Clubs
 - Following Authors and Publishers Lely Roterra Manual
- 9. Balancing eBooks and Physical Books Lely Roterra Manual
 - Benefits of a Digital Library
 - Creating a Diverse Reading Collection Lely Roterra Manual
- 10. Overcoming Reading Challenges
 - Dealing with Digital Eye Strain
 - Minimizing Distractions
 - Managing Screen Time
- 11. Cultivating a Reading Routine Lely Roterra Manual
 - Setting Reading Goals Lely Roterra Manual
 - Carving Out Dedicated Reading Time
- 12. Sourcing Reliable Information of Lely Roterra Manual
 - Fact-Checking eBook Content of Lely Roterra Manual
 - Distinguishing Credible Sources
- 13. Promoting Lifelong Learning
 - Utilizing eBooks for Skill Development
 - Exploring Educational eBooks

14. Embracing eBook Trends

- Integration of Multimedia Elements
- Interactive and Gamified eBooks

Lely Roterra Manual Introduction

Free PDF Books and Manuals for Download: Unlocking Knowledge at Your Fingertips In today's fast-paced digital age, obtaining valuable knowledge has become easier than ever. Thanks to the internet, a vast array of books and manuals are now available for free download in PDF format. Whether you are a student, professional, or simply an avid reader, this treasure trove of downloadable resources offers a wealth of information, conveniently accessible anytime, anywhere. The advent of online libraries and platforms dedicated to sharing knowledge has revolutionized the way we consume information. No longer confined to physical libraries or bookstores, readers can now access an extensive collection of digital books and manuals with just a few clicks. These resources, available in PDF, Microsoft Word, and PowerPoint formats, cater to a wide range of interests, including literature, technology, science, history, and much more. One notable platform where you can explore and download free Lely Roterra Manual PDF books and manuals is the internet's largest free library. Hosted online, this catalog compiles a vast assortment of documents, making it a veritable goldmine of knowledge. With its easy-to-use website interface and customizable PDF generator, this platform offers a user-friendly experience, allowing individuals to effortlessly navigate and access the information they seek. The availability of free PDF books and manuals on this platform demonstrates its commitment to democratizing education and empowering individuals with the tools needed to succeed in their chosen fields. It allows anyone, regardless of their background or financial limitations, to expand their horizons and gain insights from experts in various disciplines. One of the most significant advantages of downloading PDF books and manuals lies in their portability. Unlike physical copies, digital books can be stored and carried on a single device, such as a tablet or smartphone, saving valuable space and weight. This convenience makes it possible for readers to have their entire library at their fingertips, whether they are commuting, traveling, or simply enjoying a lazy afternoon at home. Additionally, digital files are easily searchable, enabling readers to locate specific information within seconds. With a few keystrokes, users can search for keywords, topics, or phrases, making research and finding relevant information a breeze. This efficiency saves time and effort, streamlining the learning process and allowing individuals to focus on extracting the information they need. Furthermore, the availability of free PDF books and manuals fosters a culture of continuous learning. By removing financial barriers, more people can access educational resources and pursue lifelong learning, contributing to personal growth and professional development. This democratization of knowledge promotes intellectual curiosity and empowers individuals to become lifelong learners, promoting progress and innovation in various fields. It is worth noting that while

accessing free Lely Roterra Manual PDF books and manuals is convenient and cost-effective, it is vital to respect copyright laws and intellectual property rights. Platforms offering free downloads often operate within legal boundaries, ensuring that the materials they provide are either in the public domain or authorized for distribution. By adhering to copyright laws, users can enjoy the benefits of free access to knowledge while supporting the authors and publishers who make these resources available. In conclusion, the availability of Lely Roterra Manual free PDF books and manuals for download has revolutionized the way we access and consume knowledge. With just a few clicks, individuals can explore a vast collection of resources across different disciplines, all free of charge. This accessibility empowers individuals to become lifelong learners, contributing to personal growth, professional development, and the advancement of society as a whole. So why not unlock a world of knowledge today? Start exploring the vast sea of free PDF books and manuals waiting to be discovered right at your fingertips.

FAQs About Lely Roterra Manual Books

How do I know which eBook platform is the best for me? Finding the best eBook platform depends on your reading preferences and device compatibility. Research different platforms, read user reviews, and explore their features before making a choice. Are free eBooks of good quality? Yes, many reputable platforms offer high-quality free eBooks, including classics and public domain works. However, make sure to verify the source to ensure the eBook credibility. Can I read eBooks without an eReader? Absolutely! Most eBook platforms offer web-based readers or mobile apps that allow you to read eBooks on your computer, tablet, or smartphone. How do I avoid digital eye strain while reading eBooks? To prevent digital eye strain, take regular breaks, adjust the font size and background color, and ensure proper lighting while reading eBooks. What the advantage of interactive eBooks? Interactive eBooks incorporate multimedia elements, quizzes, and activities, enhancing the reader engagement and providing a more immersive learning experience. Lely Roterra Manual is one of the best book in our library for free trial. We provide copy of Lely Roterra Manual in digital format, so the resources that you find are reliable. There are also many Ebooks of related with Lely Roterra Manual. Where to download Lely Roterra Manual online for free? Are you looking for Lely Roterra Manual PDF? This is definitely going to save you time and cash in something you should think about.

Find Lely Roterra Manual :
ets slla 1010 study guide

essick ma0800 user guide

~~essentials of economics schiller 8th edition~~

~~etude sur le secteur priveacute de la santeacute au mali~~

eton manual choke conversion

~~eton viper 90r manual~~

~~eumig mark 607d 610d spanish~~

~~eumig 712 manual~~

~~essential corporate finance 7th edition solution manual~~

essential questions physical science

est aps10a manual

~~essentials of lifespan edition 3 santrock~~

eton rks200 manual

et1410 lab manual answers

~~essential guide to blood groups book~~

Lely Roterra Manual :

mazzoldi nigro voci fisica vol 1 meccanica e termodinamica pdf - Aug 16 2023

~~web mazzoldi nigro voci fisica vol 1 meccanica e termodinamica pdf jlk97vp72z45~~

mazzoldi nigro voci termodinamica uniport edu ng - May 01 2022

~~web apr 5 2023 mazzoldi nigro voci termodinamica 2 4 downloaded from uniport edu ng on april 5 2023 by guest the physics of superheroes james kakalios 2005 09 29 james kakalios explores the scientific plausibility of the powers and feats of the most famous superheroes and discovers that in many cases the comic writers got their science~~

mazzoldi nigro voci termodinamica donate pfi org - Jun 02 2022

~~web mazzoldi nigro voci termodinamica mazzoldi nigro voci termodinamica 1 downloaded from donate pfi org on 2020 04 27 by guest mazzoldi nigro voci termodinamica yeah reviewing a books mazzoldi nigro voci termodinamica could ensue your near connections listings this is just one of the solutions for you to be successful~~

~~mazzoldi nigro voci fisica vol 1 meccanica e termodinamica - Mar 11 2023~~

~~web open navigation menu close suggestions search search en change language~~

~~mazzoldi nigro voci fisica vol 1 meccanica e termodinamica - Dec 08 2022~~

~~web 8 18 2019 mazzoldi nigro voci fisica vol 1 meccanica e termodinamica slidepdf com reader full mazzoldi nigro voci fisica~~

vol 1 meccanica e termodinamica 1 488 p mazzoldi m nigro c voci fisica vol imeccanica

mazzoldi nigro voci fisica volume i meccanica e termodinamica - Apr 12 2023

web il testo offre una trattazione completa della meccanica e della termodinamica la sua struttura ne permette l'adattamento a diversi corsi di studio fisica nasce dall'esperienza didattica maturata in trent'anni di insegnamento nei corsi di fisica generale

mazzoldi nigro voci elementi di fisica meccanica e termodinamica - Jul 03 2022

web mazzoldi nigro voci elementi di fisica meccanica e termodinamica pdf rating 4.8/5 4316 votes downloads 18762 click here to download fisica volume i meccanica e

mazzoldi nigro voci termodinamica graph safehousetech.com - Sep 05 2022

web mazzoldi nigro voci termodinamica 5.5 arrow of time and even the nature of energy itself peter atkins powerful and compelling introduction explains what the laws are and how they work using accessible language and virtually no mathematics guiding the reader from the zeroth law to the third law he introduces the fascinating concept of

fisica vol 1 meccanica termodinamica paolo mazzoldi - Jun 14 2023

web vol 1 meccanica termodinamica è un libro di paolo mazzoldi massimo nigro cesare voci pubblicato da edises acquista su ibs a 27.55 aggiungi l'articolo in lista

free mazzoldi nigro voci termodinamica cyberlab sutd.edu.sg - Feb 10 2023

web mazzoldi nigro voci termodinamica fisica volume 1 meccanica termodinamica apr 06 2023 fisica meccanica e termodinamica sep 11 2023 teaching scientific inquiry oct 08 2020 what are scientific inquiry practices like today how should schools approach inquiry in science education teaching science inquiry presents the scholarly

elementi di fisica meccanica e termodinamica mazzoldi paolo nigro - May 13 2023

web elementi di fisica meccanica e termodinamica mazzoldi paolo nigro massimo voci cesare milani e marinelli m verona rinati g verona c amazon.it libri

fisica meccanica termodinamica vol 1 mazzoldi paolo nigro - Sep 17 2023

web meccanica termodinamica vol 1 mazzoldi paolo nigro massimo voci cesare amazon.it libri

mazzoldi nigro voci termodinamica cyberlab sutd.edu.sg - Jul 15 2023

web mazzoldi nigro voci termodinamica teaching scientific inquiry dec 01 2020 what are scientific inquiry practices like today how should schools approach inquiry in science education teaching science inquiry presents the scholarly papers and practical conversations that emerged from the exchanges at a two day

mazzoldi nigro voci fisica vol 1 meccanica e termodinamica - Oct 18 2023

web addeddate 2015 09 24 15 41 33 identifier mazzoldi nigro voci fisica vol 1 meccanica e termodinamica identifier ark ark

13960 t52g1cn6z ocr abby finereader 11 0 pages

mazzoldi nigro voci termodinamica 2023 - Nov 07 2022

web mazzoldi nigro voci termodinamica elementi di fisica elettromagnetismo jan 05 2022 thermodynamics oct 02 2021 in this classic of modern science the nobel laureate presents a clear treatment of systems the first and second laws of thermodynamics entropy thermodynamic potentials and much more calculus required

mazzoldi nigro voci termodinamica - Jan 29 2022

web mazzoldi nigro voci termodinamica 1 mazzoldi nigro voci termodinamica recognizing the artifice ways to get this book mazzoldi nigro voci termodinamica is additionally useful you have remained in right site to begin getting this info acquire the mazzoldi nigro voci termodinamica belong to that we pay for here and check out the

[mazzoldi nigro voci fisica vol 2 vdocuments net](#) - Oct 06 2022

web jul 21 2016 mazzoldi m nigro c voci termodinamica ed edises napoli m alonso e j finn elementi jeff nigro cpa cfe nigro nigro pc email protected 951 698 8783 updates from the auditors

mazzoldi nigro voci termodinamica - Feb 27 2022

web this mazzoldi nigro voci termodinamica as one of the most effective sellers here will very be in the course of the best options to review problemi di fisica generale elettromagnetismo e ottica massimo nigro 1995 modern quantum mechanics j j sakurai 2017 09 21

[mazzoldi nigro voci termodinamica pqr uiaf gov co](#) - Aug 04 2022

web as this mazzoldi nigro voci termodinamica it ends in the works innate one of the favored book mazzoldi nigro voci termodinamica collections that we have this is why you remain in the best website to look the incredible books to have the ubiquitous mechanism accelerating cosmic rays at all the energies antonio codino 2021 02 04

mazzoldi nigro voci termodinamica oldcove com - Mar 31 2022

web mazzoldi nigro voci termodinamica mazzoldi nigro voci termodinamica 2 downloaded from oldcove com on 2020 09 21 by guest the physics of superheroes james kakalios 2009 11 03 an exploration of the science behind the powers of popular comic superheroes and villains illustrates the physics principles underlying the supernatural

fisica vol 1 meccanica termodinamica paolo mazzoldi - Jan 09 2023

web fisica vol 1 meccanica termodinamica è un libro scritto da paolo mazzoldi massimo nigro cesare voci pubblicato da edises libreria it

how to help english learners use linking expressions - May 17 2022

web oct 25 2023 japan s ancient skill of log rafting as microsoft word turns 40 we look at the role the software has played in four decades of language and communication evolution

language point linking words bbc careersatdot com - Nov 10 2021

web boiling point is a four episode british television drama series created by philip barantini james cummings and stephen graham starring graham vinette robinson and hannah

why the abortion ballot question in ohio is confusing voters - Sep 08 2021

linking words bbc - Jun 29 2023

web a video about the different words and phrases and how they can be used to compare contrast and show the passage of time in your writing video transcript here s a range

language point linking words bbc - Oct 02 2023

web what should i do besides besides this besides that this is usually placed at the beginning of a sentence it is used to make an additional point traffic congestion is a problem in

language point linking words logo of the bbc - May 29 2023

web oct 17 2016 5 73m subscribers subscribe 10k 476k views 7 years ago english masterclass and english class improve your english grammar with the bbc do you

how to link ideas in sentences for ks3 english students - Feb 23 2023

web national 5 discursive linking ideas discursive writing presents an argument related to a given topic it can either examine both sides of the issue in a balanced way or argue

linking words of contrast bbc english class youtube - Jun 17 2022

web a guide to urdu bbc languages learn in your own time and have fun with languages of the world 10 facts about languages including jokes and tongue twisters 20 audio

the surprisingly subtle ways microsoft word has changed how - Feb 11 2022

web 4 language point linking words bbc 2023 03 18 volume 30 well known linguistics and researcher in related fields were invited to present an overview of their most important

a guide to languages 10 facts 20 key phrases and the - Mar 15 2022

web politics and the english language multilingual matters the bbc s advisory committee on spoken english was set up to provide an authoritative guide to pronunciation and the use

word grammar connectives bbc teach - Sep 20 2022

web would you like to know how to use words like despite in spite of though although and even though finn has a lesson which takes you through these words an

linking words together premier skills english british council - Aug 20 2022

web introducing linking and signposting expressions highlights no matter how useful linkers are learners are unlikely to remember them if they have not had a chance to put them

[language point linking words bbc pdf neurocme med ucla](#) - Dec 12 2021

web 1 day ago john legend the singer songwriter and ohio native whose wife chrissy teigen has spoken publicly about an abortion that saved her life urged in a video message

learning english the flatmates language point 64 - Sep 01 2023

web language point linking words 2 the flatmates linking words 2 you can see this language point online at

[linking words and phrases guide for ks3 english students bbc](#) - Apr 27 2023

web we use words and phrases like though although and even though to link two clauses together we call them linking words of contrast we use despite and in spite of in front

[language point linking words bbc pdf uniport edu](#) - Jan 13 2022

web oct 31 2023 boris johnson s ex adviser tells the covid inquiry the handling of his infamous car trip was handled badly which he regrets

[linking words learning english cambridge english](#) - Apr 15 2022

web language point linking words bbc 2 9 downloaded from uniport edu ng on september 7 2023 by guest policies production decision flora tristan sandra dijstra 2019 07 23 a

boiling point 2023 tv series wikipedia - Aug 08 2021

language point linking words 2 logo of the bbc - Jul 31 2023

web language point linking words the flatmates linking words you can see this language point online at

linking ideas discursive national 5 english revision bbc - Nov 22 2022

web jan 24 2018 fans podcasts teachers coaches course stages linking words together linking words together in this week s premier skills english podcast the main focus

[bbc learning english 6 minute vocabulary linking words](#) - Dec 24 2022

web answer sheet putting sentences together more connectives exercise in identifying the correct connectives choose the connectives

vocabulary how to use linking words youtube - Oct 22 2022

web 1 linking words to show reasons and causes 2 linking words to show contrasting or surprising information 3 linking words to show the order or sequence of events here

[bbc learning english course upper intermediate](#) - Jan 25 2023

web nov 16 2015 if you want to tell more interesting stories then linking words and phrases can help you watch this episode of 6 minute vocabulary next try out some prac

grammar how to use linking words in english bbc english - Mar 27 2023

web 6 minute vocabulary linking words this is not a word for word transcript rob hello and welcome to 6 minute vocabulary i m rob catherine and i m catherine and this

covid inquiry live updates dominic cummings asked if barnard - Oct 10 2021

linking words premier skills english british council - Jul 19 2022

web this activity helps you practise your reading grammar and the language used for writing a narrative including the use of the past perfect b1 b2 5 10 minutes

25 awesome keyhole scarf patterns with pictures - Sep 18 2023

web dec 30 2021 one of the best ways to make a keyhole scarf is to crochet one and that is mainly because there are loads of splendid patterns that you can use to follow in this guide we ve compiled a list of the best keyhole scarf patterns that money can buy so to find out more keep on reading

10 keyhole scarves and shawl knitting patterns cool creativities - Aug 05 2022

web sep 30 2016 free pattern ribbed slit shawl free pattern beginner keyhole scarf free pattern arrow caterpillar scarf free knitting pattern free pattern everest scarf free pattern pull through wrap free pattern keyhole scarf free pattern pineapple keyhole scarf paid pattern adjustable fox scarf free pattern

ribbed scarf free knitting pattern purlsandpixels - Feb 28 2022

web feb 12 2022 materials you will need the following materials which you can purchase at your local yarn shop or on amazon com via the affiliate links below knitting needles long circular needles 36 inch 91 cm long us no 8 5 0 mm circular needle or size needed to obtain gauge or straight needles

[ravelry figure 8 ribbed keyhole scarf pattern by dawn tarzwell](#) - Apr 13 2023

web written pattern search patterns with these attributes this pattern is available as a free ravelry download a unique raised rib keyhole scarf which uses the same stitch as my figure 8 ribbed hat but worked flat instead of in the round materials used in the sample 3 8 gauge loom with at least 31 pegs 3 stitch markers

ravelry ribbed keyhole scarf pattern by jenn wolfe kaiser - Oct 19 2023

web aug 31 2022 this pattern is available for 4 00 usd buy it now this quick and simple scarf is worked in a long rectangle including a keyhole opening in one end difficulty easy pattern is written in us crochet terms lifeadorned com crochet pattern ribbed keyhole scarf first published october 2011

[14 free crochet keyhole scarf patterns](#) - Sep 06 2022

web nov 3 2023 you will find keyhole scarf crochet patterns that include lace ribbing shell stitch and cable crochet patterns you will have a hard time choosing which one to make first pineapple keyhole scarf cute quick and easy this crochet scarf is crocheted from the top down with a pretty little keyhole

[ribbed keyhole scarf pattern etsy](#) - Dec 09 2022

web check out our ribbed keyhole scarf pattern selection for the very best in unique or custom handmade pieces from our sewing fiber shops

figure 8 ribbed keyhole scarf pattern knitting things - Mar 12 2023

web the ribbed pattern used for making this keyhole scarf would be highly apt whether you are using thick or thin yarn difficulty intermediate yarn weight worsted weight loom type round or rectangular 31 pegs size adult pattern ravelry com

ravelry carí keyhole scarf pattern by angela wilson - Jun 03 2022

web nov 1 2020 buy it now or visit pattern website this unique scarf design is guaranteed to turn heads it s a very simple construction with a stunning outcome trendy and warm this scarf can be worn in a few different ways this is a pdf digital download this pattern is written in american english in standard u s terms

[easy keyhole scarf allfreeknitting com](#) - Apr 01 2022

web this scarf features a unique keyhole design that allows you to secure it around your neck without the hassle of tying or knotting whether you re a beginner knitter or an experienced one looking for a quick and satisfying project this pattern is perfect for you

ravelry vertical keyhole scarf pattern by laura treadway - Oct 07 2022

web jun 22 2010 it s a great pattern for showing off the texture of handspun yarn or to use that small ball of luxury fiber you couldn t pass up also it s a really easy 1 x 1 ribbed pattern which keeps the scarf from curling and can add a

[25 keyhole scarf crochet patterns crochet news](#) - Nov 08 2022

web nov 17 2023 25 crochet keyhole scarf patterns discover you re next favorite project and then have fun customizing it to suit your personal taste 1 pineapple keyhole scarf crochet pattern by red heart this free crochet keyhole scarf pattern really does the trick to keep your neck toasty while adding a pop of color to your outfit

crochet pattern ribbed keyhole scarf life adorned pinterest - May 02 2022

web ribbed keyhole scarf a quick pattern for a crochet scarf with a keyhole opening on one end this cozy accessory stays in place without tying or pinning

[ravelry ribbed keyhole scarf pattern by alison hansel](#) - Aug 17 2023

web ribbed keyhole scarf by alison hansel published in the blue blog craft knitting category neck torso scarf suggested yarn

yarn weight aran worsted gauge 4 5 stitches 1 inch in 2x2 rib needle size us 8 5 0 mm yardage 150 300 yards 137 274 m
sizes available one size languages english buttonholes rectangle ribbed unisex worked flat

[the best keyhole scarf patterns for knitters crocheters who](#) - Jul 04 2022

web dec 27 2020 cari keyhole cowl crochet pattern by angie of love n every stitch by rubybaby knit version of the keyhole scarf pattern by angie of love n every stitch by rubybaby crawford double keyhole scarf pattern by sheri lynn fournier shooting star keyhole scarf pattern by inner child crochet cable knit bobble shawl scarf wrap

[crochet pattern ribbed keyhole scarf life adorned](#) - Jun 15 2023

web apr 22 2017 crochet pattern ribbed keyhole scarf this ribbed keyhole scarf makes a great last minute gift because the design is simple and the pattern works up so quickly only a few hours and one skein of worsted weight yarn the scarf is worked in rows leaving a keyhole opening on one end

ravelry ribbed keyhole scarf pattern by grace mcewen - Jul 16 2023

web aug 19 2012 this pattern is available for 6 00 usd buy it now ribbed keyhole scarf is a fun simple ribbed keyhole scarf that is sure to keep you warm and cozy in the winter the scarf is a quick knit and is knit in one piece from end to end

ravelry keyhole scarf collection patterns - Feb 11 2023

web the answer lady ravelry download 20 00 usd buy it now add to cart send as gift notes table of contents basic keyhole scarf includes instructions for designing your own any gauge read this pattern before knitting any scarves tubular knitted scarves any gauge with 2 beds tracing with tuck stitch standard japanese twin cables mid gauge

easy rib keyhole scarf free knitting pattern youtube - May 14 2023

web new free knitting pattern eterknits com easy rib keyhole scarf free knitting pattern happy knitting materials yarn 1 ball amzn to 3sdp

ribbed keyhole scarf easy knit pattern sport or fingering etsy - Jan 10 2023

web nov 3 2023 ribbed keyhole scarf instant download pdf knitting pattern enjoy the rhythm of 2x2 rib and the luxury of cashmere as you work this lightweight keyhole scarf a comfortable stay in place style that looks good with everything choose your favorite fingering or sport blend yarn or experiment with alternative fibers and color