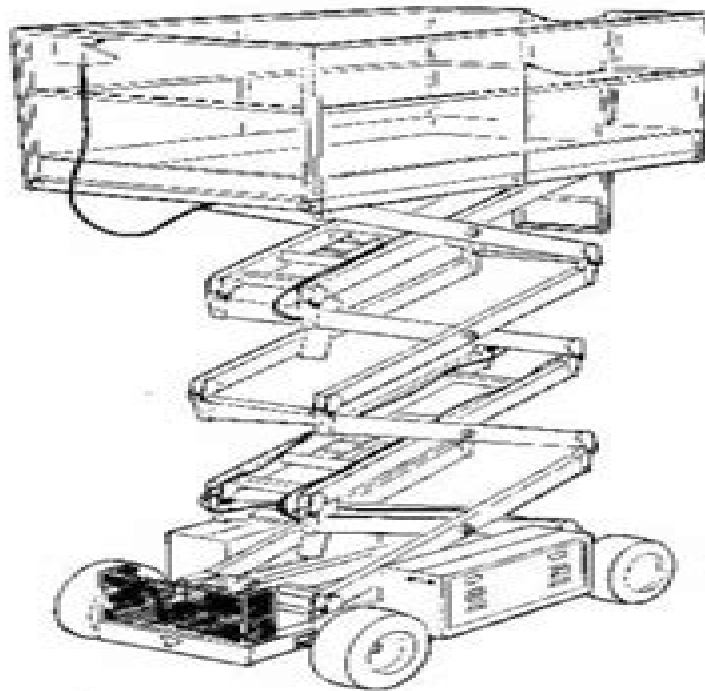


# OPERATION AND SAFETY MANUAL

# **CALVAR** CONDOR<sup>®</sup> SCISSOR

## SELF-PROPELLED AERIAL WORK PLATFORM

MODELS 3170E AND RT3175 SERIES



**For Your Own  
Safety and Protection**

- **Read This Manual Completely Before Operating the Condor.**
- **Retain This Manual on the Condor at all times.**

**CALVAR**  
CORPORATION

9200 S. SORENSEN AVE. • SANTA FE SPRING, CALIFORNIA 90675

Part No. 92245

# Mec Scissor Lift Repair Manual

**SJ Ball**



## **Mec Scissor Lift Repair Manual:**

If you are craving such a referred **Mec Scissor Lift Repair Manual** ebook that will offer you worth, get the no question best seller from us currently from several preferred authors. If you want to humorous books, lots of novels, tale, jokes, and more fictions collections are moreover launched, from best seller to one of the most current released.

You may not be perplexed to enjoy every book collections Mec Scissor Lift Repair Manual that we will totally offer. It is not the costs. Its very nearly what you infatuation currently. This Mec Scissor Lift Repair Manual, as one of the most involved sellers here will unconditionally be in the midst of the best options to review.

[https://staging.conocer.cide.edu/public/scholarship/Documents/Memorex\\_Wii\\_Nunchuk\\_Manual.pdf](https://staging.conocer.cide.edu/public/scholarship/Documents/Memorex_Wii_Nunchuk_Manual.pdf)

## **Table of Contents Mec Scissor Lift Repair Manual**

1. Understanding the eBook Mec Scissor Lift Repair Manual
  - The Rise of Digital Reading Mec Scissor Lift Repair Manual
  - Advantages of eBooks Over Traditional Books
2. Identifying Mec Scissor Lift Repair Manual
  - Exploring Different Genres
  - Considering Fiction vs. Non-Fiction
  - Determining Your Reading Goals
3. Choosing the Right eBook Platform
  - Popular eBook Platforms
  - Features to Look for in an Mec Scissor Lift Repair Manual
  - User-Friendly Interface
4. Exploring eBook Recommendations from Mec Scissor Lift Repair Manual
  - Personalized Recommendations
  - Mec Scissor Lift Repair Manual User Reviews and Ratings
  - Mec Scissor Lift Repair Manual and Bestseller Lists
5. Accessing Mec Scissor Lift Repair Manual Free and Paid eBooks

- Mec Scissor Lift Repair Manual Public Domain eBooks
  - Mec Scissor Lift Repair Manual eBook Subscription Services
  - Mec Scissor Lift Repair Manual Budget-Friendly Options
6. Navigating Mec Scissor Lift Repair Manual eBook Formats
    - ePub, PDF, MOBI, and More
    - Mec Scissor Lift Repair Manual Compatibility with Devices
    - Mec Scissor Lift Repair Manual Enhanced eBook Features
  7. Enhancing Your Reading Experience
    - Adjustable Fonts and Text Sizes of Mec Scissor Lift Repair Manual
    - Highlighting and Note-Taking Mec Scissor Lift Repair Manual
    - Interactive Elements Mec Scissor Lift Repair Manual
  8. Staying Engaged with Mec Scissor Lift Repair Manual
    - Joining Online Reading Communities
    - Participating in Virtual Book Clubs
    - Following Authors and Publishers Mec Scissor Lift Repair Manual
  9. Balancing eBooks and Physical Books Mec Scissor Lift Repair Manual
    - Benefits of a Digital Library
    - Creating a Diverse Reading Collection Mec Scissor Lift Repair Manual
  10. Overcoming Reading Challenges
    - Dealing with Digital Eye Strain
    - Minimizing Distractions
    - Managing Screen Time
  11. Cultivating a Reading Routine Mec Scissor Lift Repair Manual
    - Setting Reading Goals Mec Scissor Lift Repair Manual
    - Carving Out Dedicated Reading Time
  12. Sourcing Reliable Information of Mec Scissor Lift Repair Manual
    - Fact-Checking eBook Content of Mec Scissor Lift Repair Manual
    - Distinguishing Credible Sources
  13. Promoting Lifelong Learning
    - Utilizing eBooks for Skill Development

- Exploring Educational eBooks
- ### 14. Embracing eBook Trends
- Integration of Multimedia Elements
  - Interactive and Gamified eBooks

## **Mec Scissor Lift Repair Manual Introduction**

In this digital age, the convenience of accessing information at our fingertips has become a necessity. Whether its research papers, eBooks, or user manuals, PDF files have become the preferred format for sharing and reading documents. However, the cost associated with purchasing PDF files can sometimes be a barrier for many individuals and organizations. Thankfully, there are numerous websites and platforms that allow users to download free PDF files legally. In this article, we will explore some of the best platforms to download free PDFs. One of the most popular platforms to download free PDF files is Project Gutenberg. This online library offers over 60,000 free eBooks that are in the public domain. From classic literature to historical documents, Project Gutenberg provides a wide range of PDF files that can be downloaded and enjoyed on various devices. The website is user-friendly and allows users to search for specific titles or browse through different categories. Another reliable platform for downloading Mec Scissor Lift Repair Manual free PDF files is Open Library. With its vast collection of over 1 million eBooks, Open Library has something for every reader. The website offers a seamless experience by providing options to borrow or download PDF files. Users simply need to create a free account to access this treasure trove of knowledge. Open Library also allows users to contribute by uploading and sharing their own PDF files, making it a collaborative platform for book enthusiasts. For those interested in academic resources, there are websites dedicated to providing free PDFs of research papers and scientific articles. One such website is Academia.edu, which allows researchers and scholars to share their work with a global audience. Users can download PDF files of research papers, theses, and dissertations covering a wide range of subjects. Academia.edu also provides a platform for discussions and networking within the academic community. When it comes to downloading Mec Scissor Lift Repair Manual free PDF files of magazines, brochures, and catalogs, Issuu is a popular choice. This digital publishing platform hosts a vast collection of publications from around the world. Users can search for specific titles or explore various categories and genres. Issuu offers a seamless reading experience with its user-friendly interface and allows users to download PDF files for offline reading. Apart from dedicated platforms, search engines also play a crucial role in finding free PDF files. Google, for instance, has an advanced search feature that allows users to filter results by file type. By specifying the file type as "PDF," users can find websites that offer free PDF downloads on a specific topic. While downloading Mec Scissor Lift Repair Manual free PDF files is convenient, its important to note that copyright laws must be respected. Always ensure that the PDF files you download are legally

available for free. Many authors and publishers voluntarily provide free PDF versions of their work, but its essential to be cautious and verify the authenticity of the source before downloading Mec Scissor Lift Repair Manual. In conclusion, the internet offers numerous platforms and websites that allow users to download free PDF files legally. Whether its classic literature, research papers, or magazines, there is something for everyone. The platforms mentioned in this article, such as Project Gutenberg, Open Library, Academia.edu, and Issuu, provide access to a vast collection of PDF files. However, users should always be cautious and verify the legality of the source before downloading Mec Scissor Lift Repair Manual any PDF files. With these platforms, the world of PDF downloads is just a click away.

### **FAQs About Mec Scissor Lift Repair Manual Books**

**What is a Mec Scissor Lift Repair Manual PDF?** A PDF (Portable Document Format) is a file format developed by Adobe that preserves the layout and formatting of a document, regardless of the software, hardware, or operating system used to view or print it. **How do I create a Mec Scissor Lift Repair Manual PDF?** There are several ways to create a PDF: Use software like Adobe Acrobat, Microsoft Word, or Google Docs, which often have built-in PDF creation tools. Print to PDF: Many applications and operating systems have a "Print to PDF" option that allows you to save a document as a PDF file instead of printing it on paper. Online converters: There are various online tools that can convert different file types to PDF. **How do I edit a Mec Scissor Lift Repair Manual PDF?** Editing a PDF can be done with software like Adobe Acrobat, which allows direct editing of text, images, and other elements within the PDF. Some free tools, like PDFescape or Smallpdf, also offer basic editing capabilities. **How do I convert a Mec Scissor Lift Repair Manual PDF to another file format?** There are multiple ways to convert a PDF to another format: Use online converters like Smallpdf, Zamzar, or Adobe Acrobats export feature to convert PDFs to formats like Word, Excel, JPEG, etc. Software like Adobe Acrobat, Microsoft Word, or other PDF editors may have options to export or save PDFs in different formats. **How do I password-protect a Mec Scissor Lift Repair Manual PDF?** Most PDF editing software allows you to add password protection. In Adobe Acrobat, for instance, you can go to "File" -> "Properties" -> "Security" to set a password to restrict access or editing capabilities. Are there any free alternatives to Adobe Acrobat for working with PDFs? Yes, there are many free alternatives for working with PDFs, such as: LibreOffice: Offers PDF editing features. PDFsam: Allows splitting, merging, and editing PDFs. Foxit Reader: Provides basic PDF viewing and editing capabilities. How do I compress a PDF file? You can use online tools like Smallpdf, ILovePDF, or desktop software like Adobe Acrobat to compress PDF files without significant quality loss. Compression reduces the file size, making it easier to share and download. Can I fill out forms in a PDF file? Yes, most PDF viewers/editors like Adobe Acrobat, Preview (on Mac), or various online tools allow you to fill out forms in PDF files by selecting text fields and entering

information. Are there any restrictions when working with PDFs? Some PDFs might have restrictions set by their creator, such as password protection, editing restrictions, or print restrictions. Breaking these restrictions might require specific software or tools, which may or may not be legal depending on the circumstances and local laws.

**Find Mec Scissor Lift Repair Manual :**

*memorex wii nunchuk manual*

**mercedes benz e class manual**

**mercedes benz e430 service manual**

**mens shed manual**

~~mercedes benz 0405 bus maintenance manual~~

mercedes benz atego 818 manual

**memorandum english term4 grade9 2014**

**memorandum physical science paper2 exemplar 2013 grade11**

~~mercedes awd manual transmission~~

mencari nilai voltase secara manual

~~mental maths tests rising stars~~

**mendel and heredity vocabulary review**

**mercedes benz 420 manual**

mercedes 220a 220s 220se workshop repair service manual

**memory jogger pocket guide**

**Mec Scissor Lift Repair Manual :**

business economics and finance with matlab gis and simulation - Dec 16 2021

web it presents tactics for using mathematical and simulation models to solve complex tasks of forecasting income valuing businesses predicting retail sales and evaluating markets

business economics and finance with matlab gis and - Jun 02 2023

web business economics and finance with matlab gis and simulation models anderson patrick l amazon sg books

**business economics and finance with matlab gis and** - Jul 03 2023

web jul 27 2004 business economics and finance with matlab gis and simulation models patrick l anderson crc press jul 27



2004 mathematics 500 pages this

**business economics and finance with matlab gis and** - Dec 28 2022

web author patrick l anderson summary this book describes advancements in mathematical methods for finance business valuation retail sales prediction tax policy location

business economics and finance with matlab gis and - Sep 24 2022

web this book describes techniques often using matlab and simulink models for finance business valuation retail sales prediction tax policy public policy and other challenges

**business economics and finance with matlab gis and** - Feb 27 2023

web jan 1 2004 this book is the first to fully explore the capabilities of matlab in the field of business economics and explain how the benefits of sophisticated mathematical

**business economics and finance with matlab gis and** - Nov 26 2022

web the second chapter contrasts business economics with academic economics and discusses why simulation models in general and matlab and simulink in particular

**business economics and finance with matlab gis and** - Feb 15 2022

web housekeeping leisure business economics and finance with matlab gis and simulation models pdf possible use especially when specification is complicated

*business economics and finance with matlab gis* - Jan 17 2022

web feb 27 2023 business economics and finance with matlab gis and simulation models provides a unique overview of sophisticated business and financial

business economics and finance with matlab gis and - May 21 2022

web apr 16 2007 kindle ebooks science math buy 75 95 rent 30 01 today through selected date rental price is determined by end date sold by amazon com services

*business economics and finance with matlab gis and* - Aug 04 2023

web jul 27 2004 this book takes recent theoretical advances in finance and economics and shows how they can be implemented in the real world it presents tactics for using

**business economics and finance with matlab gis and** - Jul 23 2022

web may 31 2023 vdom dhtml tml business economics and finance with matlab gis and simulation models anderson patrick l free download borrow and

*business economics and finance with matlab gis and* - Jun 21 2022

web business economics and finance with matlab gis and simulation models anderson patrick l on amazon com au free

shipping on eligible orders business

business economics and finance with matlab gis and - Apr 19 2022

web find the latest published papers in business economics and finance with matlab gis and simulation models top authors related hot topics the most cited papers and

business economics and finance with matlab gis and - Oct 06 2023

web written for economists and finance and valuation professionals this text discusses the practical application of finance and economics theory using matlab and simulink

*business economics finance using matlab gis and* - Oct 26 2022

web jun 15 2005 the book takes recent theoretical advances in finance and economics and shows how they can be implemented in the real world it presents tactics for using

**business economics and finance with matlab gis and** - Mar 19 2022

web this book takes recent theoretical advances in finance and economics and shows how they can be implemented in the real world it presents tactics for using mathematical and

**business economics and finance with matlab gis and** - Aug 24 2022

web apr 15 2004 business economics and finance with matlab gis and simulation models 1st edition by patrick l anderson author 1 7 6 ratings see all formats and

*business economics and finance with matlab gis and* - May 01 2023

web this book takes recent theoretical advances in finance and economics and shows how they can be implemented in the real world it presents tactics for using mathematical and

**business economics and finance with matlab gis and** - Jan 29 2023

web jul 27 2004 this book takes recent theoretical advances in finance and economics and shows how they can be implemented in the real world it presents tactics for using

business economics and finance with matlab gis and - Mar 31 2023

web business economics and finance with matlab gis and simulation models provides a unique overview of sophisticated business and financial applications it describes

*business economics and finance with matlab gis* - Sep 05 2023

web business economics and finance with matlab gis and simulation models provides a unique overview of sophisticated business and financial applications it describes

**konica minolta user manuals download manualslib** - May 01 2023

web view download of more than 3627 konica minolta pdf user manuals service manuals operating guides all in one printer

printer user manuals operating guides specifications

*user manuals konica minolta* - Feb 27 2023

web download konica minolta user guides please select from the available user guides below to download your pdf all product collateral with energy star information met energy

**konica minolta bizhub c3350 c3850 parts guide manual pdf** - Mar 31 2023

web konica minolta bizhub c3350 c3850 parts guide manual 1 the parts can be replaced either by user or service engineer 2 actual durable cycle life counter value 3 field standard yield 4 replace those parts at the same time 5 the toner filter is furnished with the transfer belt so that all

konica minolta bizhub 600 750 parts manual pdf scribd - May 21 2022

web description parts manual konica minolta bizub 600 750

**user s guide** - Nov 26 2022

web konica minolta bizhub 958 808 758 search enter a keyword you can search within the user s guide introduction control panel describes how to turn the power on and off use the control panel describes the name of each part in this machine and the relevant cleaning method about this machine

**konica minolta online user guides** - Oct 06 2023

web online manuals get to know your bizhub or accurio device and study the user manual online simply choose your model and preferred language then press open manual

**name and function of each part konica minolta** - Jun 02 2023

web 1 post inserter control panel operate this panel when manually using the finisher for details on the operation procedure of the post inserter refer to here 2 lower tray paper guide when cover paper is loaded slide this guide to

*konica minolta bizhub 163 7616 parts manual pdf scribd* - Oct 26 2022

web parts guide manual april 2007 information for parts manual to find correct parts no refer to the how to make the best use of this manual in the following page some specific parts composed of this product are set up as essential safety parts

konica minolta buzgup 164 184 parts guide manual scribd - Sep 24 2022

web konica minolta buzgup 164 184 parts guide manual free download as pdf file pdf text file txt or view presentation slides online

konica minolta bizhub c35 parts guide manual english pdf - Aug 24 2022

web konica minolta bizhub c35 parts guide manual english pdf konica minolta bizhub c35 parts guide manual english by schumi kaiser in types instruction manuals

user s guide konica minolta - Jan 29 2023

web topnavi 10text topnavi 11text topnavi 15text ver 2 20 00

[parts catalog konica minolta page 1](#) - Sep 05 2023

web we only help you to create your parts list for request from your suppliers page konica minolta 8050 konica minolta 8150

konica minolta accurioprint c759 konica minolta ad508 konica minolta bizhub 160 konica minolta

*user manuals konica minolta canada* - Apr 19 2022

web home support downloads user manuals user manuals download user guides please select from the available user guides

below to download your pdf all product collateral with energy star information met energy

[konica minolta bizhub 160 parts manual manual pdf](#) - Aug 04 2023

web view and download konica minolta bizhub 160 parts manual manual online parts list bizhub 160 all in one printer pdf

manual download also for bizhub 160f bizhub 161 bizhub 161f

[konica minolta bizhub 501 service manual pdf download](#) - Jul 23 2022

web view and download konica minolta bizhub 501 service manual online bizhub 501 all in one printer pdf manual download

also for bizhub 421 bizhub 361

[konica minolta bizhub c451 all in one printers parts guide manual](#) - Mar 19 2022

web konica minolta bizhub c451 all in one printers parts guide manual 1 digital mfp color 2 document feeder 3 fax controller

4 other option 5 paper feeder 6 sorter finisher 7 other option 8 sorter finisher 9 sorter finisher 10 punch unit 11 other option

*konica minolta bizhub 361 parts guide manuals online* - Feb 15 2022

web 21 99 buy now description this parts guide manual konica minolta bizhub 361 is in the format and have detailed

diagrams pictures and full procedures to diagnose and repair your konica minolta bizhub 361 copier you can print zoom or

read any diagram picture or page from this service parts guide manual

**konica minolta bizhub c224 c284 c364 parts manual pdf** - Jun 21 2022

web parts guide manual may 2012 bizhub c224 bizhub c284 bizhub c364 a161 information for parts guide manual to find

correct parts no refer to the how to make the best use of this manual in the following page

*parts guide manual bizhub c250 pdf scribd* - Jul 03 2023

web konica minolta parts manual bizhub c250 pdf free download as pdf file pdf text file txt or view presentation slides online

**user s guide konica minolta** - Dec 28 2022

web this machine description about this machine control panel descriptions of setup buttons web management tool

accessibility

*counting workbook ages 3 5 prepare for preschool with easy* - Jul 06 2022

web collins easy learning preschool counting ages 3 5 free early learning concepts your preschoolers should know bullying in

the age of remote learning

*counting workbook ages 3 5 ideal for home learning* - May 16 2023

web counting ages 3 5 prepare for preschool with easy home learning collins easy learning preschool revised ed edition

kindle edition by collins easy learning

*collins easy learning preschool abc workbook ages 3 5* - Feb 01 2022

web mar 7 2022 level eyfssubject maths learn to count at home using this motivating wipe clean book lots of practice opportunities to help children learn to count from 0 to

**counting ages 3 5 collins easy learning preschool** - Jun 05 2022

web mar 7 2022 level eyfssubject english learn the easy way with this abc workbook fully in line with the early years foundation stage this english book provides reassurance

*counting ages 3 5 prepare for preschool with easy* - Mar 14 2023

web counting workbook ages 3 5 collins easy learning ideal for home learning collins easy learning preschool collins amazon in books books textbooks study

*collins easy learning preschool workbooks ages 3 5* - Jul 18 2023

web collins easy learning preschool counting workbook ages 3 5 ideal for home learning collins easy learning preschool format paperback publication date 07 03 2022

*counting ages 3 5 prepare for preschool with easy* - Dec 11 2022

web counting ages 3 5 collins easy learning preschool collins uk amazon com tr Çerez tercihlerinizi seçin alışveriş deneyiminizi geliştirmek hizmetlerimizi sunmak

**counting ages 3 5 collins easy learning preschool collins uk** - Aug 07 2022

web counting ages 3 5 collins easy learning prepare for preschool with easy home learning collins easy learning preschool collins amazon in books

collins easy learning preschool first counting age 3 5 wipe - Sep 27 2021

counting ages 3 5 collins easy learning preschool - Jun 17 2023

web apr 2 2020 4 7 1 405 ratings part of collins easy learning preschool 21 books see all formats and editions level eyfs subject maths an engaging counting activity

**counting ages 3 5 prepare for preschool with easy home** - Apr 15 2023

web counting ages 3 5 collins easy learning prepare for preschool with easy home learning collins easy learning preschool collins amazon in books

**counting workbook ages 3 5 collins easy learning ideal for** - Nov 10 2022

web dec 18 2015 description product details mother s day delivery level eyfs subject maths an engaging counting activity book to really help boost your child s progress at

counting ages 3 5 prepare for preschool with easy home - May 04 2022

web collins easy learning preschool first counting age 3 5 wipe clean activity book ideal for home learning collins easy learning preschool format paperback

**counting ages 3 5 prepare for preschool with easy home** - Oct 29 2021

*counting ages 3 5 prepare for preschool with easy home* - Sep 08 2022

web counting ages 3 5 prepare for preschool with easy home learning collins easy learning amazon com au books

**counting ages 3 5 collins easy learning prepare for preschool** - Apr 03 2022

web aug 5 2021 collins easy learning preschool counting bumper book ages 3 5 ideal for home learning collins easy learning preschool author collins easy learning

**collins easy learning preschool counting bumper book ages 3** - Nov 29 2021

collins easy learning age 3 5 - Dec 31 2021

**counting ages 3 5 prepare for preschool with easy home learning** - Oct 09 2022

web counting ages 3 5 collins uk this range of maths and english activity books really helps to boost your child s progress at every stage of their learning the series aims to

**counting workbook ages 3 5 collins easy learning** - Jan 12 2023

web shapes colours and patterns ages 3 5 prepare for preschool with easy home learning collins easy learning preschool 4 79 4 79 get it as soon as friday jun 30

**counting ages 3 5 collins easy learning prepare for** - Feb 13 2023

web counting ages 3 5 prepare for preschool with easy home learning paperback big book 18 december 2015 by collins easy learning author 4 7 1 382 ratings see all

**counting ages 3 5 prepare for preschool with easy home** - Aug 19 2023

web buy counting ages 3 5 prepare for preschool with easy home learning collins easy learning preschool by collins easy learning isbn 9780008151522 from

collins easy learning preschool counting ages 3 5 prepare for - Sep 20 2023

web 07 03 2022 isbn 978 0 00 815152 2 pages 24 level eyfsssubject maths an engaging counting activity book to really help boost your child s progress at every stage of their

**collins easy learning preschool counting ages 3** - Mar 02 2022

web counting ages 3 5 prepare for preschool with easy home learning collins easy learning 9780008151522 books amazon ca