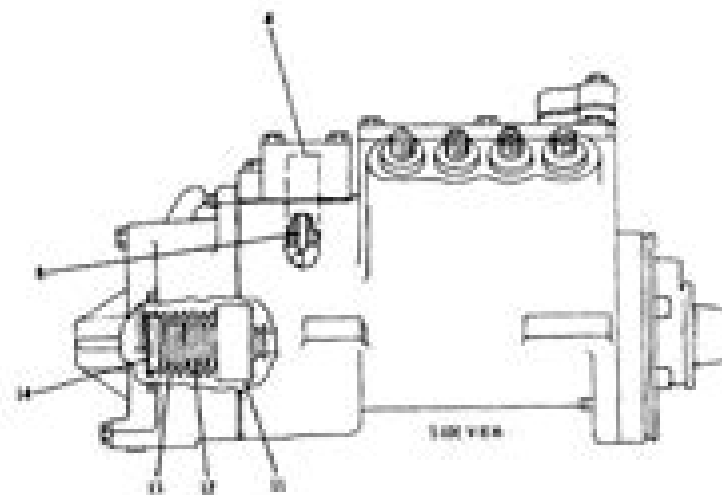


Qty.	Part Number	Description	Unit
1	AN3105	POWER CIRCUIT *Separate Illustration	1
2	1P517	O-RING	2
1	AN3107	COVER	1
1	AN3109	CONTROL CIRCUIT *Separate Illustration	1



6	1P212	NUT	1
7	AN3117	COVER	1
8	AN3118	COVER	1
9	AN3119	GASKET	1
10	AN343	PIN	1

11	AN3111	SEAL	1
12	AN3106	SPRING	1
13	AN3108	SPRING	1
14	AN3115	SEAL	1

C INDICATES COVER

20/100

# Inyector Caterpillar 3208 Manual

**Rosina Ehmann**



## **Inyector Caterpillar 3208 Manual:**

Eventually, you will no question discover a new experience and attainment by spending more cash. still when? reach you undertake that you require to acquire those every needs following having significantly cash? Why dont you try to get something basic in the beginning? Thats something that will guide you to understand even more in relation to the globe, experience, some places, considering history, amusement, and a lot more?

It is your unquestionably own grow old to pretend reviewing habit. along with guides you could enjoy now is **Inyector Caterpillar 3208 Manual** below.

[https://staging.conocer.cide.edu/files/browse/default.aspx/Guide\\_To\\_Incoterms\\_2010.pdf](https://staging.conocer.cide.edu/files/browse/default.aspx/Guide_To_Incoterms_2010.pdf)

## **Table of Contents Inyector Caterpillar 3208 Manual**

1. Understanding the eBook Inyector Caterpillar 3208 Manual
  - The Rise of Digital Reading Inyector Caterpillar 3208 Manual
  - Advantages of eBooks Over Traditional Books
2. Identifying Inyector Caterpillar 3208 Manual
  - Exploring Different Genres
  - Considering Fiction vs. Non-Fiction
  - Determining Your Reading Goals
3. Choosing the Right eBook Platform
  - Popular eBook Platforms
  - Features to Look for in an Inyector Caterpillar 3208 Manual
  - User-Friendly Interface
4. Exploring eBook Recommendations from Inyector Caterpillar 3208 Manual
  - Personalized Recommendations
  - Inyector Caterpillar 3208 Manual User Reviews and Ratings
  - Inyector Caterpillar 3208 Manual and Bestseller Lists
5. Accessing Inyector Caterpillar 3208 Manual Free and Paid eBooks

- Inyector Caterpillar 3208 Manual Public Domain eBooks
  - Inyector Caterpillar 3208 Manual eBook Subscription Services
  - Inyector Caterpillar 3208 Manual Budget-Friendly Options
6. Navigating Inyector Caterpillar 3208 Manual eBook Formats
    - ePub, PDF, MOBI, and More
    - Inyector Caterpillar 3208 Manual Compatibility with Devices
    - Inyector Caterpillar 3208 Manual Enhanced eBook Features
  7. Enhancing Your Reading Experience
    - Adjustable Fonts and Text Sizes of Inyector Caterpillar 3208 Manual
    - Highlighting and Note-Taking Inyector Caterpillar 3208 Manual
    - Interactive Elements Inyector Caterpillar 3208 Manual
  8. Staying Engaged with Inyector Caterpillar 3208 Manual
    - Joining Online Reading Communities
    - Participating in Virtual Book Clubs
    - Following Authors and Publishers Inyector Caterpillar 3208 Manual
  9. Balancing eBooks and Physical Books Inyector Caterpillar 3208 Manual
    - Benefits of a Digital Library
    - Creating a Diverse Reading Collection Inyector Caterpillar 3208 Manual
  10. Overcoming Reading Challenges
    - Dealing with Digital Eye Strain
    - Minimizing Distractions
    - Managing Screen Time
  11. Cultivating a Reading Routine Inyector Caterpillar 3208 Manual
    - Setting Reading Goals Inyector Caterpillar 3208 Manual
    - Carving Out Dedicated Reading Time
  12. Sourcing Reliable Information of Inyector Caterpillar 3208 Manual
    - Fact-Checking eBook Content of Inyector Caterpillar 3208 Manual
    - Distinguishing Credible Sources
  13. Promoting Lifelong Learning
    - Utilizing eBooks for Skill Development

- Exploring Educational eBooks
14. Embracing eBook Trends
- Integration of Multimedia Elements
  - Interactive and Gamified eBooks

### **Injector Caterpillar 3208 Manual Introduction**

In this digital age, the convenience of accessing information at our fingertips has become a necessity. Whether its research papers, eBooks, or user manuals, PDF files have become the preferred format for sharing and reading documents. However, the cost associated with purchasing PDF files can sometimes be a barrier for many individuals and organizations. Thankfully, there are numerous websites and platforms that allow users to download free PDF files legally. In this article, we will explore some of the best platforms to download free PDFs. One of the most popular platforms to download free PDF files is Project Gutenberg. This online library offers over 60,000 free eBooks that are in the public domain. From classic literature to historical documents, Project Gutenberg provides a wide range of PDF files that can be downloaded and enjoyed on various devices. The website is user-friendly and allows users to search for specific titles or browse through different categories. Another reliable platform for downloading Injector Caterpillar 3208 Manual free PDF files is Open Library. With its vast collection of over 1 million eBooks, Open Library has something for every reader. The website offers a seamless experience by providing options to borrow or download PDF files. Users simply need to create a free account to access this treasure trove of knowledge. Open Library also allows users to contribute by uploading and sharing their own PDF files, making it a collaborative platform for book enthusiasts. For those interested in academic resources, there are websites dedicated to providing free PDFs of research papers and scientific articles. One such website is Academia.edu, which allows researchers and scholars to share their work with a global audience. Users can download PDF files of research papers, theses, and dissertations covering a wide range of subjects. Academia.edu also provides a platform for discussions and networking within the academic community. When it comes to downloading Injector Caterpillar 3208 Manual free PDF files of magazines, brochures, and catalogs, Issuu is a popular choice. This digital publishing platform hosts a vast collection of publications from around the world. Users can search for specific titles or explore various categories and genres. Issuu offers a seamless reading experience with its user-friendly interface and allows users to download PDF files for offline reading. Apart from dedicated platforms, search engines also play a crucial role in finding free PDF files. Google, for instance, has an advanced search feature that allows users to filter results by file type. By specifying the file type as "PDF," users can find websites that offer free PDF downloads on a specific topic. While downloading Injector Caterpillar 3208 Manual free PDF files is convenient, its important to note that copyright laws must be respected. Always ensure that the PDF files you download are

legally available for free. Many authors and publishers voluntarily provide free PDF versions of their work, but its essential to be cautious and verify the authenticity of the source before downloading Inyector Caterpillar 3208 Manual. In conclusion, the internet offers numerous platforms and websites that allow users to download free PDF files legally. Whether its classic literature, research papers, or magazines, there is something for everyone. The platforms mentioned in this article, such as Project Gutenberg, Open Library, Academia.edu, and Issuu, provide access to a vast collection of PDF files. However, users should always be cautious and verify the legality of the source before downloading Inyector Caterpillar 3208 Manual any PDF files. With these platforms, the world of PDF downloads is just a click away.

### **FAQs About Inyector Caterpillar 3208 Manual Books**

1. Where can I buy Inyector Caterpillar 3208 Manual books? Bookstores: Physical bookstores like Barnes & Noble, Waterstones, and independent local stores. Online Retailers: Amazon, Book Depository, and various online bookstores offer a wide range of books in physical and digital formats.
2. What are the different book formats available? Hardcover: Sturdy and durable, usually more expensive. Paperback: Cheaper, lighter, and more portable than hardcovers. E-books: Digital books available for e-readers like Kindle or software like Apple Books, Kindle, and Google Play Books.
3. How do I choose a Inyector Caterpillar 3208 Manual book to read? Genres: Consider the genre you enjoy (fiction, non-fiction, mystery, sci-fi, etc.). Recommendations: Ask friends, join book clubs, or explore online reviews and recommendations. Author: If you like a particular author, you might enjoy more of their work.
4. How do I take care of Inyector Caterpillar 3208 Manual books? Storage: Keep them away from direct sunlight and in a dry environment. Handling: Avoid folding pages, use bookmarks, and handle them with clean hands. Cleaning: Gently dust the covers and pages occasionally.
5. Can I borrow books without buying them? Public Libraries: Local libraries offer a wide range of books for borrowing. Book Swaps: Community book exchanges or online platforms where people exchange books.
6. How can I track my reading progress or manage my book collection? Book Tracking Apps: Goodreads, LibraryThing, and Book Catalogue are popular apps for tracking your reading progress and managing book collections. Spreadsheets: You can create your own spreadsheet to track books read, ratings, and other details.
7. What are Inyector Caterpillar 3208 Manual audiobooks, and where can I find them? Audiobooks: Audio recordings of books, perfect for listening while commuting or multitasking. Platforms: Audible, LibriVox, and Google Play Books offer

- a wide selection of audiobooks.
8. How do I support authors or the book industry? Buy Books: Purchase books from authors or independent bookstores. Reviews: Leave reviews on platforms like Goodreads or Amazon. Promotion: Share your favorite books on social media or recommend them to friends.
  9. Are there book clubs or reading communities I can join? Local Clubs: Check for local book clubs in libraries or community centers. Online Communities: Platforms like Goodreads have virtual book clubs and discussion groups.
  10. Can I read Inyector Caterpillar 3208 Manual books for free? Public Domain Books: Many classic books are available for free as they're in the public domain. Free E-books: Some websites offer free e-books legally, like Project Gutenberg or Open Library.

### **Find Inyector Caterpillar 3208 Manual :**

**guide to incoterms 2010**

**guide shogun service**

*guide to learning control wiring*

**guide to helicopter ship operations**

**guide to good food book**

*guide monkeys for the blind*

guide to film night and day

**guide to home ing uk**

guide living psychology study

guide to giving a lapdance

guide to event planning seminar

**guide to ing a second hand car**

guide to performing oral sex

guide to krita 2 8

guide on pest control test

### **Inyector Caterpillar 3208 Manual :**

**online library unit 2 microeconomics lesson 1 activity 10 answer key - Jun 01 2022**



web sep 4 2023 online library unit 2 microeconomics lesson 1 activity 10 answer key read pdf free summer thewest com  
online library unit 2 microeconomics lesson 1 activity 10 answer key read pdf free advanced placement economics capstone  
barron s early achiever grade 1 english language arts workbook activities practice

*answer key microeconomics lesson 1 activity 10 - Dec 07 2022*

web 5 steps to a 5 ap microeconomics and macroeconomics ap microeconomics macroeconomics premium 2023 4 practice  
tests comprehensive review online practice microeconomics answer key microeconomics lesson 1 activity 10 downloaded  
from reports budgetbakers com by guest patel strickland

**answer key microeconomics lesson 1 activity 10 pdf 2023 - Apr 30 2022**

web answer key microeconomics lesson 1 activity 10 pdf upload mia l paterson 1 2 downloaded from elections freep com on  
august 1 2023 by mia l paterson answer key microeconomics lesson 1 activity 10 pdf in a digitally driven world where  
monitors reign supreme and immediate transmission drowns out the subtleties of language the

econ 101 mikroekonominin İlkeleri İzmir ekonomi Üniversitesi - Jul 14 2023

web econ 101 mikroekonominin İlkeleri myeconlab kayıt kılavuzu syllabus 2013 mid term exam 2013 mid term exam key  
2014 mid term exam 2014 mid term exam key study questions for midterm 1 study question answers

*answer key microeconomics lesson 1 activity 10 pdf - Jan 28 2022*

web apr 9 2023 kindly say the answer key microeconomics lesson 1 activity 10 is universally compatible with any devices to  
read advanced placement economics microeconomics gary l stone 2012 the teacher resource manual provides unit overviews  
lesson plans objectives teacher alerts bell ringer activities to jump start

*unit 2 lesson 1 act 10 pdf unit 2 microeconomics lesson 1 activity 10 - Apr 11 2023*

web view unit 2 lesson 1 act 10 pdf from math 101 at karachi adventist college of health sciences karachi unit 2  
microeconomics lesson 1 activity 10 reasons for changes in demand part a read the eight upload to study

**unit 2 microeconomics lesson 1 activity 10 answer key pdf file - Jul 02 2022**

web unit 2 microeconomics lesson 1 activity 10 answer key discover an exceptionally clear concise introduction to  
microeconomics using an approach that avoids high level mathematics but still offers meaningful practice with nicholson  
snyder s intermediate

**free solutions for microeconomics for today quizlet - Mar 30 2022**

web find step by step solutions and answers to microeconomics for today 9781337613064 as well as thousands of textbooks  
so you can move forward with confidence microeconomics for today 10th edition irvin b tucker isbn 9781337613064 irvin b  
tucker more textbook info irvin b tucker isbn 9781337613064 irvin b tucker

**unit 1 microeconomics key fairfax county public schools - May 12 2023**

web 1 microeconomics lesson 2 activity 2 answer key unit part c use figure 2 6 to answer the next five questions each question starts with curve bb as a country s production possibilities curve 3 suppose there is a major technological breakthrough in the consumer goods industry and the new technology is widely adopted

**unit 2 microeconomics lesson 1 activity 10 answer key** - Mar 10 2023

web download unit 2 microeconomics lesson 1 activity 10 answer key filename speed downloads unit 2 microeconomics lesson 1 activity 10 answer key full 5172 kb s 1566 unit 2 microeconomics lesson 1 activity 10 answer key added by users 5404 kb s 8595 unit 2 microeconomics lesson 1 activity 10 answer key most popular 5236

**unit 2 macroeconomics lesson 1 activity 10 answer key** - Feb 09 2023

web download unit 2 macroeconomics lesson 1 activity 10 answer key filename speed downloads unit 2 macroeconomics lesson 1 activity 10 answer key checked 1902 kb s 8497 unit 2 macroeconomics lesson 1 activity 10 answer key most popular 2669 kb s 17 unit 2 macroeconomics lesson 1 activity 10 answer key new 3504 kb s 11000

**microeconomics chapter 1 ten principles of economics** - Dec 27 2021

web 1 people face trade offs 2 the cost of something is what you give up to get it 3 rational people think at the margin 4 people respond to incentives 5 trade can make everyone better off 6 markets are usually a good way to organize 7 governments can sometimes improve market outcomes 8 a country s standard of living depends on its ability to

**unit 2 macroeconomics lesson 1 denton isd** - Aug 03 2022

web have the students complete activity 10 and discuss the answers lesson 1 n activity 9 key test of macroeconomic thinking all the answers are false the reasoning for each false statement follows

microeconomics lesson 1 activity 10 answers pdf w9 keyhole - Nov 06 2022

web nov 12 2022 right here we have countless book microeconomics lesson 1 activity 10 answers and collections to check out we additionally allow variant types and moreover type of the books to browse

**basic economic concepts microeconomics economics khan academy** - Jun 13 2023

web learn how different types of economies make decisions about what to produce and how to distribute resources we ll introduce key concepts like opportunity costs trade offs and production possibilities we ll also dive into why specialization and exchange are so important and how property rights and incentives help keep free markets functioning

**ap microeconomics grosse pointe public schools** - Feb 26 2022

web ap microeconomics syllabus activities activities 9 10 12 16 activity 22 textbook exercises problems 2 5 and 8 10 on page 70 assessment 20 question multiple choice test covering the material in unit 2 unit 3 elasticity 1 week key concepts price elasticity of demand total revenue and price elasticity of demand price

unit 1 microeconomics lesson 1 minnesota state university - Aug 15 2023

web lesson 1 introduction and description advanced placement economics has thousands of details that can confuse students the students need a framework to organize these details this lesson acquaints the students with basic economic concepts and methodology

**unit 2 microeconomics lesson 1 activity 10 answer key 2022** - Oct 05 2022

web 2 unit 2 microeconomics lesson 1 activity 10 answer key 2019 08 23 macroeconomics student activities cengage learning microeconomics theory applications 13th edition teaches students how fundamental tools of analysis are used explain and predict market phenomena designed for both economics and

**unit 2 microeconomics lesson 1 activity 10 answer key pdf** - Sep 04 2022

web lesson 1 activity 10 answer key it will not believe many get older as we explain before you can get it while do its stuff something else at home and even in your workplace thus easy so are you question just exercise just what we have enough money under as well as evaluation unit 2 microeconomics lesson 1 activity 10 answer key what you

unit 2 microeconomics lesson 1 activity 10 answer key - Jan 08 2023

web comprehending as capably as arrangement even more than extra will have enough money each success bordering to the statement as with ease as keenness of this unit 2 microeconomics lesson 1 activity 10 answer key can be taken as competently as picked to act unit 2 microeconomics lesson 1

**fire lieutenant exam questions mybooklibrary com** - Feb 27 2022

web sep 21 2016 fire lieutenant exam questions download or read online ebook fire lieutenant exam questions in pdf format from the best user guide database

**fire lieutenant and fire captain promotional exam study guide** - Dec 08 2022

web this study guide is designed to assist candidates in their preparation for the fire lieutenant and fire captain examinations the examinations consist of three phases

*firefighter practice test study guide with sample questions* - Aug 04 2022

web the firefighter exam is one of the key ways recruiters can tell whether you will be well suited to a job as a firefighter it uses different types of questions to determine how well

*fire lieutenant promotional exam questions* - May 13 2023

web sep 10 2018 almost every promotional exam will have a written and oral examination where the candidate will be expected to answer a variety of questions regardless of

**free firefighter practice test firefighter test com** - Jul 03 2022

web free firefighter practice test try a free fst nfsi or general firefighter practice test with 20 questions the tests include explanations to all questions user statistics and a

**fdny lt exam practice 1 flashcards quizlet** - Feb 10 2023

web fdny lt exam practice 1 flashcards quizlet study with quizlet and memorize flashcards containing terms like what 10 code is transmitted for fire in a high rise md

**fire lieutenant promotional test questions aspiring** - Jan 09 2023

web sep 4 2018 the fire lieutenant promotional test is the next step in an individual s career track in fire services for those who are seeking promotion to become a fire officer read

**firefighter practice test tests com** - Dec 28 2021

web firefighter practice test 2023 edition firefighter practice test take this free practice test to see how prepared you are for a firefighter certification exam view answers as

**test preparation manual nyc gov** - Jan 29 2022

web the area sample questions and explanations of the answers to these sample questions section iii practice exam pages 34 61 the third section of the guide contains a

**free firefighter test practice questions and answers** - Sep 05 2022

web 1 arithmetic sample question solve the problem below and then answer the question 6 5 x 2 1 which of the numbers below are closest to the correct answer a 1 6 b 69

**2021 assessment center preparation guide h022 lieutenant** - Apr 12 2023

web this guide is intended to help prepare you for your upcoming h022 lieutenant exam a general description of the test is provided along with sample test instructions and

***fire assessment center free downloads aspiring fire officers*** - Jun 14 2023

web free downloads members have access to dozens of additional downloads at no extra charge fire company officer fire battalion chief how to study for fire department

**firetesttaking study guide for fdny lt and capt promotion** - Mar 31 2022

web we give you the tools you need whether you are a probie studying in probie school or studying for any fdny lieutenant fire marshal or captain promotion exams we can

**30 firefighter lieutenant interview questions and answers** - May 01 2022

web oct 17 2023 30 firefighter lieutenant interview questions and answers common firefighter lieutenant interview questions how to answer them and example answers

**free downloadable content for fire officer exam preparation** - Nov 26 2021

web become a member to download our fire exam question and answers video tutorials and fire officer promotion study material to prepare you for as a fire officer

*fire fighter exam samples fire fighting test questions - Jun 02 2022*

web hazardous materials exam fire fighting vocabulary grammar and spelling exam fire fighter exam samples including firefighter 1 firefighter 2 mechanical aptitude spacial

**fire lieutenant interview questions aspiring fire officers - Nov 07 2022**

web sep 12 2018 what special skills knowledge or abilities do you possess what are the typical job duties of a fire lieutenant why are you the best candidate for the position

*fire lieutenant s exam online flashcards by derek - Sep 17 2023*

web learn faster with brainscape on your web iphone or android device study derek foley s fire lieutenant s exam flashcards now

**fire lt promotion test quizlet - Mar 11 2023**

web 28 sets 4 members h h fire lt promotion test you ve been invited to join this class to accept the invitation latest quizlet has study tools to help you learn anything improve

**fire lieutenant exam flashcards quizlet - Oct 18 2023**

web t transmission put in park c choke wheels front back h hazard absorption hand line i interior trim take out trim on post before cutting to expose dangers n notify sog

**fire lieutenant exam prep aspiring fire officers - Jul 15 2023**

web sep 12 2018 learn more at aspiringfireofficers com the best way to maximize your fire lieutenant exam prep and improve your score is to have a multi faceted approach

**4 places to find fire officer promotional exam questions - Oct 06 2022**

web 1 practice test websites websites that provide practice test questions are an effective and efficient method to prepare for a test websites like firedup firefighter promotional

*cfđ fire lieutenant questions flashcards quizlet - Aug 16 2023*

web sample questions for the cfđ fire lieutenant exam learn with flashcards games and more for free

**mini cooper galeriden istanbul mitula - Apr 19 2022**

web İstanbul bölgesinde 25 adet mini cooper 375 000 tl den başlayan fiyatlarla İkinci el mini cooper galeriden istanbul için en iyi teklifleri bulun bekci oğludan 2017 model mını cooper türkiye paketi 1 5 dizel otomatik geni ş ekran mini connected anahtarsız gi ri ş çalıştırma start stop

**modern electronic instrumentation measurement techniques by helfrick - Feb 27 2023**

web jan 1 2008 helfrick cooper 3 73 26 ratings3 reviews brand new international paper back edition same as per description economy edition may have been printed in asia with cover stating not for sale in us legal to use

**github** - Aug 24 2022

web payload allshortcutsenabled false filetree scripts items name tests path scripts tests contenttype directory name validate path

henry cooper footballer wikipedia - Feb 15 2022

web club career on 8 march 2013 at eighth date of league cooper made his debut with murciélagos against estudiantes tecos playing as a substitute of arnhold rivas at minute 77 on 19 april 2013 played his first game as titular with the team against real saltillo soccer at the end of season and after play only four games and not scoring goals

cooper çifti vikipedi - Jul 23 2022

web cooper çifti bcs süperiletkenlerinde cooper eşleştirme etkileşiminin şematik gösterimi yoğun madde fiziğinde cooper iletken çifti veya bina kontrol sistemi bcs iletken çiftinin belli koşullarda düşük sıcaklıkla sınırlanmasının elektron iletkeni olduğu ilk kez 1956 yılında amerikalı fizikçi leon cooper tarafından

**modern electronic instrumentation and measurement** - Sep 24 2022

web may 19 2016 scilab textbook companion for modern electronic instrumentation and measurement techniques by a d helfrick and w d cooper 1 created by abhijith c d b e electronics engineering national institute of engineering college teacher m s vijaykumar cross checked by techpassion may 19 2016

*download pdf modern electronic instrumentation and measurement* - Sep 05 2023

web download modern electronic instrumentation and measurement techniques a d helfrick and w d cooper pdf

modern electronic instrumentation and measurement techniques - Jul 03 2023

web modern electronic instrumentation and measurement techniques a d helfrick and w d cooper free download as pdf file pdf text file txt or read online for free emi

modern electronic instrumentation and measurement techniques - Jun 02 2023

web modern electronic instrumentation and measurement techniques albert d helfrick cooper william d prentice hall of india 1997 electric measurements 446 pages

**modern electronic instrumentation and measurement techniques** - Mar 31 2023

web dec 8 2022 rev ed of electronic instrumentation and measurement techniques william david cooper albert d helfrick 3rd ed c1985

**mini cooper prices and 2 el mini cooper models sahibinden** - Mar 19 2022

web mini cooper prices prices of new automobiles for sale and 2 el mini cooper models are on the biggest automobile market of turkey sahibinden com

*modern electronic instrumentation and measurement* - Aug 04 2023

web download modern electronic instrumentation and measurement techniques a d helfrick and w d cooper free in pdf format

**tureng cooper türkçe İngilizce sözlük** - Jun 21 2022

web cooper i şarapçı 2 genel cooper i fiçıcı 3 genel cooper i siyah bira 4 genel cooper f fiçılamak 5 genel cooper f fiçı yapmak 6 genel cooper f fiçı onarmak 7 genel cooper f uygun şekle sokmak 8 genel cooper f hale yola koymak 9 genel cooper f mahvetmek 10 genel cooper f berbat etmek

*electronic instrumentation and measurement techniques by w d cooper* - Nov 26 2022

web enter the email address you signed up with and we ll email you a reset link

*electronic instrumentation and measurement techniques pdf* - Dec 28 2022

web william david cooper albert d helfrick category technique electronics language english isbn 0132507218 9780132507219 year 1985 file size 59 8 mb total

*modern electronic instrumentation and measurement techniques* - May 01 2023

web modern electronic instrumentation and measurement techniques albert d helfrick william david cooper prentice hall 1990 electric measurements 446 pages

**modern electronic instrumentation and measurement techniques helfrick** - Oct 26 2022

web 1 2008 by helfrick cooper author 4 7 out of 5 stars 11 ratingsmodern electronic instrumentation measurement techniques created by abhijith c d 9780135932940 modern electronic instrumentation and june 1st 2018 abebooks com modern electronic instrumentation and measurement techniques

**mini cooper fiyat listesi satisgaranti com** - May 21 2022

web mini cooper satılık 2 el sıfır araba modelleri ve fiyat listesi ile satisgaranti com da

modern electronic instrumentation and measurement techniques - Jan 29 2023

web modern electronic instrumentation and measurement techniques authors albert d helfrick william david cooper ebook english 1990 edition view all formats and editions publisher prentice hall englewood cliffs n j 1990

**modern electronic instrumentation and measurement techniques helfrick** - Oct 06 2023

web rev ed of electronic instrumentation and measurement techniques william david cooper albert d helfrick 3rd ed c1985 includes bibliographical references and index access restricted item true addeddate 2021 09 28 19 05 16 associated names cooper william david cooper william david electronic instrumentation and measurement