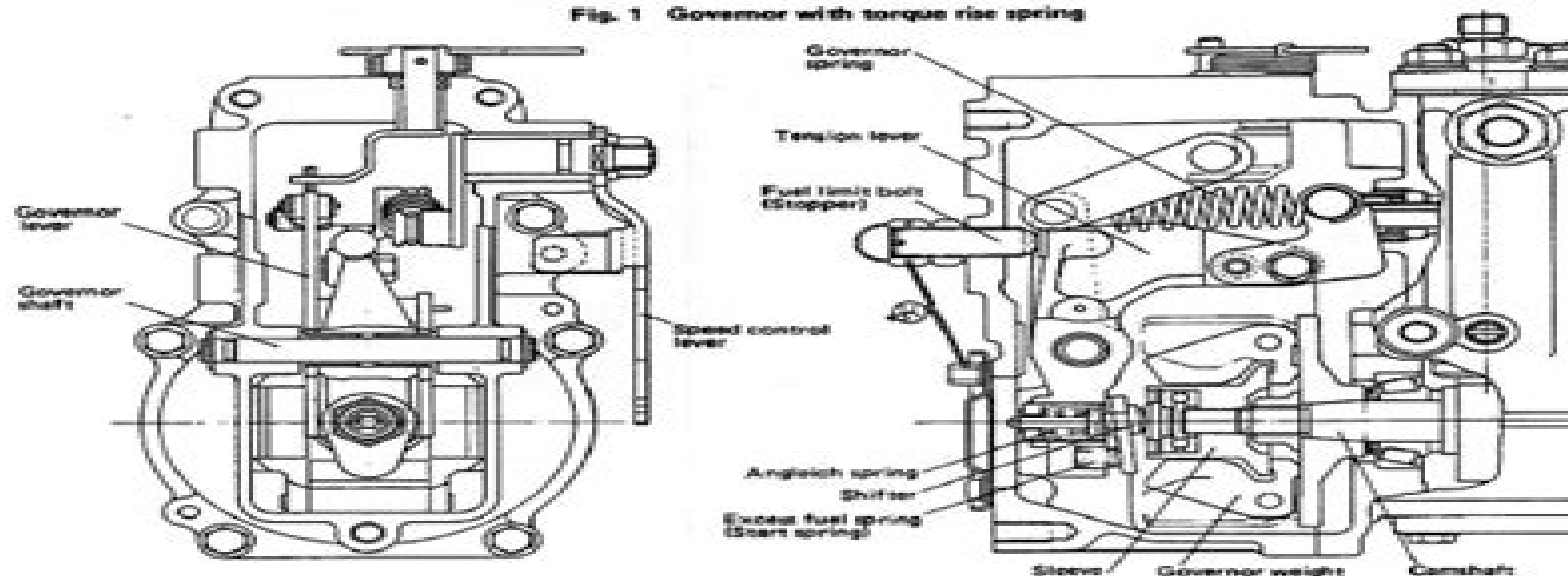


1-5 Governor construction

Diesel engines are used in extremely varied conditions, with a wide range of loads and rpms. The governor has the important function of controlling the fuel injection quantity. It quickly responds to changes in rpm by adjusting the position of the control rack.

YPES-AL fuel injection pump is equipped with the all speed type governor. The governor is available in 2 types: one has the torque rise spring (angleich spring) (Fig. 1), and the other has the smoke cut spring (angleich spring) (Fig. 2).

Fig. 1 Governor with torque rise spring



The governor weight is mounted on the end of the fuel injection pump cam shaft. It rotates around the governor support pin, driven by the cam shaft, and is forced outwards by the centrifugal force acting on the weight.

The thrust force on the cam shaft due to this centrifugal force acts on the lower part of the tension lever via the sleeve. An excess fuel spring for starting is mounted on the bottom of the tension lever.

One end of the governor spring is hooked to the right upper end of the tension lever, and the other end to the spring lever on the control lever shaft.

The spring lever and control lever are mounted on the same shaft, so by turning the control lever towards full, the governor spring is pulled and the load gradually rises.

The tension lever can move freely around the governor shaft on the player bearing. As the speed increases and the shifter is pushed to the left, the tension lever rotates clockwise. And when the speed falls, the tension lever rotates counterclockwise.

The governor lever rotates smoothly on the same governor shaft. The bottom part of this lever is in contact with the sleeve through the shifter, which is itself in contact with the bottom of the tension lever through the excess fuel spring. It therefore moves with the tension lever according to the rise or fall of the engine speed.

The top of the governor lever is connected to the fuel pump control rack through the governor link. The movement of the lever controls the volume of fuel injected by the pump. As the speed increases, the lever rotates clockwise and moves the control rack to reduce fuel, and when the speed falls the lever rotates counterclockwise to cause the control rack to pass more fuel. Thus, the engine speed is controlled.

The top of the tension lever comes in contact with the stopper built into the top of the governor case to limit the maximum fuel injection volume.

Kohler Yanmar 4 Cylinder Engine Service Manual

**General Motors-Holden Limited.
Service Division**



Kohler Yanmar 4 Cylinder Engine Service Manual:

Atlantic Fisherman ,1981-05 The EBay Price Guide Julia L. Wilkinson,2006 Provides lists of selling prices of items found on eBay in such categories as antiques boats books cameras coins collectibles dolls DVDs real estate stamps tickets and video games **Farmers and Consumers Market Bulletin** ,2010 Kohler Engines Single Cylinder Engine Service Manual ,1992 Kohler Engines Single Cylinder Engine Service Manual ,1993 **Kohler Engines** Kohler. Engine Division,1982 Kohler Engines Service Manual ,1993 **Kohler, Engines Service Manual** ,2002 Holden Four Cylinder Engine Service Manual General Motors-Holden Limited. Service Division, *Workshop Manual, B.M.C. ,1954** Repair Manual Ford Motor Company,1947 *Repair Manual for Single Cylinder 4-cycle Engines* ,1992 Industrial Engine Service Manual for 2700 Range Engines Ford Motor Company of Australia. Parts and Service Office,197? *Industrial Engine Service Manual* Ford Motor Company. Parts Division,1957* **Industrial Engine Service Manual for 4-6 Cyl, Petrol and Diesel Industrial Engines, Series 589E, 590E, 591E AND 592E, May 1957** Ford Motor Company. Industrial Power Products Division,1957* **AMC/Jeep Service Manual, Engine, 4 Cylinder/2.46L. ,1983** **Engine Service Manual** O and R Engines, Incorporated,1969 *427 Single Overhead Cam Engine Service Manual* Ford MotorCo,2014-12-04 This is a reprint of the original service manual for the 427 Single Overhead Cam engine produced by FordMotorCo Chilton's Truck Repair Manual Chilton Book Company. Automotive Editorial Department,1974 Briggs & Stratton Repair Manual for Single Cylinder 4-cycle Engines ,1994

Discover tales of courage and bravery in Explore Bravery with is empowering ebook, Unleash Courage in **Kohler Yanmar 4 Cylinder Engine Service Manual** . In a downloadable PDF format (Download in PDF: *), this collection inspires and motivates. Download now to witness the indomitable spirit of those who dared to be brave.

https://staging.conocer.cide.edu/public/virtual-library/HomePages/mitsubishi_wd_73837_manual.pdf

Table of Contents Kohler Yanmar 4 Cylinder Engine Service Manual

1. Understanding the eBook Kohler Yanmar 4 Cylinder Engine Service Manual
 - The Rise of Digital Reading Kohler Yanmar 4 Cylinder Engine Service Manual
 - Advantages of eBooks Over Traditional Books
2. Identifying Kohler Yanmar 4 Cylinder Engine Service Manual
 - Exploring Different Genres
 - Considering Fiction vs. Non-Fiction
 - Determining Your Reading Goals
3. Choosing the Right eBook Platform
 - Popular eBook Platforms
 - Features to Look for in an Kohler Yanmar 4 Cylinder Engine Service Manual
 - User-Friendly Interface
4. Exploring eBook Recommendations from Kohler Yanmar 4 Cylinder Engine Service Manual
 - Personalized Recommendations
 - Kohler Yanmar 4 Cylinder Engine Service Manual User Reviews and Ratings
 - Kohler Yanmar 4 Cylinder Engine Service Manual and Bestseller Lists
5. Accessing Kohler Yanmar 4 Cylinder Engine Service Manual Free and Paid eBooks
 - Kohler Yanmar 4 Cylinder Engine Service Manual Public Domain eBooks
 - Kohler Yanmar 4 Cylinder Engine Service Manual eBook Subscription Services
 - Kohler Yanmar 4 Cylinder Engine Service Manual Budget-Friendly Options
6. Navigating Kohler Yanmar 4 Cylinder Engine Service Manual eBook Formats

- ePub, PDF, MOBI, and More
 - Kohler Yanmar 4 Cylinder Engine Service Manual Compatibility with Devices
 - Kohler Yanmar 4 Cylinder Engine Service Manual Enhanced eBook Features
7. Enhancing Your Reading Experience
 - Adjustable Fonts and Text Sizes of Kohler Yanmar 4 Cylinder Engine Service Manual
 - Highlighting and Note-Taking Kohler Yanmar 4 Cylinder Engine Service Manual
 - Interactive Elements Kohler Yanmar 4 Cylinder Engine Service Manual
 8. Staying Engaged with Kohler Yanmar 4 Cylinder Engine Service Manual
 - Joining Online Reading Communities
 - Participating in Virtual Book Clubs
 - Following Authors and Publishers Kohler Yanmar 4 Cylinder Engine Service Manual
 9. Balancing eBooks and Physical Books Kohler Yanmar 4 Cylinder Engine Service Manual
 - Benefits of a Digital Library
 - Creating a Diverse Reading Collection Kohler Yanmar 4 Cylinder Engine Service Manual
 10. Overcoming Reading Challenges
 - Dealing with Digital Eye Strain
 - Minimizing Distractions
 - Managing Screen Time
 11. Cultivating a Reading Routine Kohler Yanmar 4 Cylinder Engine Service Manual
 - Setting Reading Goals Kohler Yanmar 4 Cylinder Engine Service Manual
 - Carving Out Dedicated Reading Time
 12. Sourcing Reliable Information of Kohler Yanmar 4 Cylinder Engine Service Manual
 - Fact-Checking eBook Content of Kohler Yanmar 4 Cylinder Engine Service Manual
 - Distinguishing Credible Sources
 13. Promoting Lifelong Learning
 - Utilizing eBooks for Skill Development
 - Exploring Educational eBooks
 14. Embracing eBook Trends
 - Integration of Multimedia Elements
 - Interactive and Gamified eBooks

Kohler Yanmar 4 Cylinder Engine Service Manual Introduction

Kohler Yanmar 4 Cylinder Engine Service Manual Offers over 60,000 free eBooks, including many classics that are in the public domain. Open Library: Provides access to over 1 million free eBooks, including classic literature and contemporary works. Kohler Yanmar 4 Cylinder Engine Service Manual Offers a vast collection of books, some of which are available for free as PDF downloads, particularly older books in the public domain. Kohler Yanmar 4 Cylinder Engine Service Manual : This website hosts a vast collection of scientific articles, books, and textbooks. While it operates in a legal gray area due to copyright issues, its a popular resource for finding various publications. Internet Archive for Kohler Yanmar 4 Cylinder Engine Service Manual : Has an extensive collection of digital content, including books, articles, videos, and more. It has a massive library of free downloadable books. Free-eBooks Kohler Yanmar 4 Cylinder Engine Service Manual Offers a diverse range of free eBooks across various genres. Kohler Yanmar 4 Cylinder Engine Service Manual Focuses mainly on educational books, textbooks, and business books. It offers free PDF downloads for educational purposes. Kohler Yanmar 4 Cylinder Engine Service Manual Provides a large selection of free eBooks in different genres, which are available for download in various formats, including PDF. Finding specific Kohler Yanmar 4 Cylinder Engine Service Manual, especially related to Kohler Yanmar 4 Cylinder Engine Service Manual, might be challenging as theyre often artistic creations rather than practical blueprints. However, you can explore the following steps to search for or create your own Online Searches: Look for websites, forums, or blogs dedicated to Kohler Yanmar 4 Cylinder Engine Service Manual, Sometimes enthusiasts share their designs or concepts in PDF format. Books and Magazines Some Kohler Yanmar 4 Cylinder Engine Service Manual books or magazines might include. Look for these in online stores or libraries. Remember that while Kohler Yanmar 4 Cylinder Engine Service Manual, sharing copyrighted material without permission is not legal. Always ensure youre either creating your own or obtaining them from legitimate sources that allow sharing and downloading. Library Check if your local library offers eBook lending services. Many libraries have digital catalogs where you can borrow Kohler Yanmar 4 Cylinder Engine Service Manual eBooks for free, including popular titles. Online Retailers: Websites like Amazon, Google Books, or Apple Books often sell eBooks. Sometimes, authors or publishers offer promotions or free periods for certain books. Authors Website Occasionally, authors provide excerpts or short stories for free on their websites. While this might not be the Kohler Yanmar 4 Cylinder Engine Service Manual full book , it can give you a taste of the authors writing style. Subscription Services Platforms like Kindle Unlimited or Scribd offer subscription-based access to a wide range of Kohler Yanmar 4 Cylinder Engine Service Manual eBooks, including some popular titles.

FAQs About Kohler Yanmar 4 Cylinder Engine Service Manual Books

What is a Kohler Yanmar 4 Cylinder Engine Service Manual PDF? A PDF (Portable Document Format) is a file format developed by Adobe that preserves the layout and formatting of a document, regardless of the software, hardware, or operating system used to view or print it. **How do I create a Kohler Yanmar 4 Cylinder Engine Service Manual PDF?** There are several ways to create a PDF: Use software like Adobe Acrobat, Microsoft Word, or Google Docs, which often have built-in PDF creation tools. Print to PDF: Many applications and operating systems have a "Print to PDF" option that allows you to save a document as a PDF file instead of printing it on paper. Online converters: There are various online tools that can convert different file types to PDF. **How do I edit a Kohler Yanmar 4 Cylinder Engine Service Manual PDF?** Editing a PDF can be done with software like Adobe Acrobat, which allows direct editing of text, images, and other elements within the PDF. Some free tools, like PDFescape or Smallpdf, also offer basic editing capabilities. **How do I convert a Kohler Yanmar 4 Cylinder Engine Service Manual PDF to another file format?** There are multiple ways to convert a PDF to another format: Use online converters like Smallpdf, Zamzar, or Adobe Acrobats export feature to convert PDFs to formats like Word, Excel, JPEG, etc. Software like Adobe Acrobat, Microsoft Word, or other PDF editors may have options to export or save PDFs in different formats. **How do I password-protect a Kohler Yanmar 4 Cylinder Engine Service Manual PDF?** Most PDF editing software allows you to add password protection. In Adobe Acrobat, for instance, you can go to "File" -> "Properties" -> "Security" to set a password to restrict access or editing capabilities. Are there any free alternatives to Adobe Acrobat for working with PDFs? Yes, there are many free alternatives for working with PDFs, such as: LibreOffice: Offers PDF editing features. PDFsam: Allows splitting, merging, and editing PDFs. Foxit Reader: Provides basic PDF viewing and editing capabilities. How do I compress a PDF file? You can use online tools like Smallpdf, ILovePDF, or desktop software like Adobe Acrobat to compress PDF files without significant quality loss. Compression reduces the file size, making it easier to share and download. Can I fill out forms in a PDF file? Yes, most PDF viewers/editors like Adobe Acrobat, Preview (on Mac), or various online tools allow you to fill out forms in PDF files by selecting text fields and entering information. Are there any restrictions when working with PDFs? Some PDFs might have restrictions set by their creator, such as password protection, editing restrictions, or print restrictions. Breaking these restrictions might require specific software or tools, which may or may not be legal depending on the circumstances and local laws.

Find Kohler Yanmar 4 Cylinder Engine Service Manual :

[mitsubishi wd 73837 manual](#)

[mitsubishi pajero io 4g94 manual engine wiring diagram](#)

[mitsubishi mirage 92 car stereo wiring diagrams](#)

[mitsubishi manual engine 6d22](#)

[mitsubishi pajero montero 1989 service repair manual](#)

[mitsubishi pajero pinin 2000 2001 2002 2003 factory chassis service repair workshop manual](#)

[mitsubishi montero sport 2001 owners manual](#)

[mitsubishi l65 a90 tvs owners manual](#)

[mitsubishi mikuni carburetor diagrams and information](#)

[mitsubishi l20troubleshooting guide](#)

[mitsubishi tv operating manual](#)

[mitsubishi l200 service manual 2008](#)

[mitsubishi lancer 20manual guide](#)

[mitsubishi triton ute 1990 workshop manual](#)

[mitsubishi outlander 2015 manual](#)

Kohler Yanmar 4 Cylinder Engine Service Manual :

[marshall cavendish international asia singapore singapore facebook](#) - Jul 02 2022

web marshall cavendish international asia singapore 2 737 likes 4 talking about this marshall cavendish is an international book publisher based in

[marshall cavendish answer key answers for 2023 exams](#) - Mar 30 2022

web andrew murray burnham born 7 january 1970 is a british politician who has served as mayor of greater manchester since 2017 he served in gordon brown s cabinet as chief secretary to the treasury from 2007 to 2008 culture secretary from 2008 to 2009 and health secretary from 2009 to 2010 a member of the labour party he served as

[answers mr ferrantello s website](#) - Feb 09 2023

web 162 answers 2009 marshall cavendish international singapore private limited copying is permitted see page ii 9 5 2 5 5 2 5 25 8 5 2 1 5 27 5 10

[marshall cavendish maths teacher s guide 6 cie singapore](#) - Oct 05 2022

web marshall cavendish maths teacher s guide 6 cambridge international edition Â together with digital resources in cd rom â activity book with suggested answers isbn 9789813163805 publisher marshall cavendish education series cambridge international edition singapore international science primary grade 1 grade 2

[marshall cavendish education homepage](#) - Sep 04 2022

web welcome to marshall cavendish education for over 60 years we have been sparking curiosity shaping minds and building a platform of academic excellence for learners around the world across a spectrum of subjects and curriculums our hallmark is our comprehensive and engaging study material that has enriched students in 14 languages

math solutions marshall cavendish - Jan 08 2023

web our wide variety of supplementals support your classroom s singapore math core curriculum programs learn more primary mathematics

singapore primary math answer key booklet u s ed 1a 3b marshall - Dec 07 2022

web singapore primary math answer key booklet u s ed 1a 3b marshall cavendish int s pte ltd singapore 9780974157306 books amazon ca

marshall cavendish workbook answers answers for 2023 exams - Jul 14 2023

web buy a cheap copy of primary mathematics answer keys grades book by marshall cavendish education free shipping on all orders over 15 thriftbooks com w primary mathematics answer keys grades 1a 3b textbooks and workbooks standards edition marshall cavendish education 13277125

marshall cavendish english answer key answers for 2023 exams - Aug 03 2022

web marshall cavendish international singapore answer key engenderhealth marshall cavendish international singapore answer key author abri engenderhealth org 2022 08 21t00 00 00 01 subject marshall cavendish international singapore answer key keywords marshall cavendish international singapore answer key created

answer keys marshall cavendish - Aug 15 2023

web answer keys singapore math fact fluency answer keys grade k answer key grade 1 answer key grade 2 answer key grade 3 answer key grade 4 answer key grade 5 answer key singapore math fact fluency timed mixed practice grade k timed mixed practice grade 1 timed mixed practice grade 2 timed mixed practice

marshall cavendish international singapore answer key pdf - Jan 28 2022

web marshall cavendish international singapore answer key 3 3 kylan cardenas singapore math by marshall cavendish marshall cavendish international asia pte ltd answers basic questions students ask when learning about financial skills needed for adulthood including borrowing money through mortgages car loans college loans and

primary mathematics marshall cavendish - Apr 11 2023

web primary mathematics leverages the singapore math framework to create a consistent pedagogical approach and unique instructional model where knowledge and skills are constructed and built upon with the use of rich tasks visual models productive struggle problem solving and mathematical discourse

marshall cavendish international singapore answer key yee - Dec 27 2021

web invest little mature to gain access to this on line pronouncement marshall cavendish international singapore answer key as without difficulty as evaluation them wherever you are now government agencies k verhoest 2016 02 05 this book describes and compares how semi autonomous agencies are created and governed by 30 governments

marshall cavendish international contact us - Jun 01 2022

web please read the following carefully before submitting your manuscript to marshall cavendish international submission disclaimer in submitting your manuscript to marshall cavendish international you acknowledge and agree to the following your submission does not constitute an agreement in any form between you and marshall cavendish

singapore math fact fluency grade 5 - Mar 10 2023

web yes i agree answers will vary sample 4 4 16 4 1 4 16 chapter 5 5a 1 answers will vary sample 5 0 5 2 answers will vary sample 3 5 5 3 3 answers will vary sample 5 6 8 5 6 8 4 answers will vary sample 16 3 10 3 6 3 5 answers will vary sample 8 0 0 5b

published by marshall cavendish education - Nov 06 2022

web answer keys these are answers to all practices and further practices in the spn21 mathematics textbook and the teacher s resource book worked solutions these are provided for all challenging questions in the spn21 mathematics textbook and further practices m bmtg7 prelim indd 5 14 5 13 8 20 pm

marshall cavendish international private limited - Feb 26 2022

web registration no unique entity number 198102179r issued by accounting and corporate regulatory authority marshall cavendish international private limited the company is a private company limited by shares incorporated on 15 may 1981 friday in singapore the address of the company s registered office is in the times centre

not the same but different all about 3 welcome to mrs - Jun 13 2023

web 2012 marshall cavendish international singapore private limited copying is permitted see page ii extra practice ka 79 chapter 2 answers chapter 2 p 20

marshall cavendish international singapore answer key pdf - Apr 30 2022

web marshall cavendish international singapore answer key pdf introduction marshall cavendish international singapore answer key pdf copy math in focus 2020 primary mathematics 2008 based on the primary mathematics series from singapore designed to equip students with a strong foundation in mathematics and critical thinking skills the

primary mathematics answer keys for textbooks and amazon singapore - May 12 2023

web jan 1 2010 this answer key booklet can be used with primary mathematics standards edition textbooks and workbooks it cannot be used with primary mathematics u s edition and 3rd edition books format 114 pages paperback publisher marshall cavendish singapore math isbn 9780761457343 read more language english

projecting politics political messages in american films edition - Oct 05 2022

web english xiii 364 pages 24 cm this work examines the relationship between american politics and films from birth of a nation to fahrenheit 9 11 it provides a decade by

projection as a political weapon room a - Apr 18 2021

web 1 day ago sen joe manchin iii d w va in an elevator on capitol hill on sept 7 jabin botsford the washington post 6 min sen joe manchin iii d w va is having trouble

projecting politics political messages in american films - Sep 04 2022

web an interdisciplinary exploration of the relationship between american politics and popular films of all kinds including comedy science fiction melodrama and action adventure

mitt romney says he will not seek a second term in the senate - Jan 16 2021

web 5 hours ago prosecutors want a federal judge to reel in donald trump s public statements in the federal 2020 election interference case asking us district judge tanya chutkan

manchin weighs running for senate or president as an independent - Feb 14 2021

web elizabeth haas projecting politics political messages in american films podcast episode 2015 on imdb plot summary synopsis and more

projecting politics political messages in american film goodreads - Mar 30 2022

web 1 day ago that s according to a new report exclusively obtained by npr from the sine institute of policy politics at american university examining the goals and values of

projecting politics - May 12 2023

web apr 30 2015 an interdisciplinary exploration of the relationship between american politics and popular films of all kinds including comedy science fiction melodrama and action

projecting politics political messages in american films - Oct 25 2021

web sep 8 2023 administration officials said they did not have the official number of migrants in the country who are eligible for work permits but have not applied but they said the

projecting politics political messages in american films - Feb 26 2022

web mar 18 2015 projecting politics political messages in american films by terry christensen peter j haas edition 1st edition first published 2005 ebook published 18

in post roe america nikki haley seeks a new path on abortion - Oct 13 2020

web 1 day ago but but but two thirds of american churches delivered overtly political sermons or messages in the run up to the 2020 election according to a pew research

[for young americans politics breaks the american dream](#) - Jan 28 2022

web 0 reviews reviews aren t verified but google checks for and removes fake content when it s identified this fascinating work examines in detail the relationship between

projecting politics political messages in american - Apr 11 2023

web projecting politics political messages in american films edition 2 ebook written by elizabeth haas terry christensen peter j haas read this book using google play

a gen z american dream politics makes it complicated npr - Nov 06 2022

web jul 20 2005 it provides a decade by decade survey of politics and films of all types comedies and dramas to biographies and documentaries as well as a helpful framework

fact checking mccarthy s claims while launching biden - Sep 23 2021

web 1 setting the scene a theory of film and politics 2 the making of a message film production and techniques and political messages 3 causes and special effects the

[mainline protestant clergy more progressive than white](#) - Aug 11 2020

web 23 minutes ago minnesota vikings running back alexander mattison said he received racist messages following the team s loss to the philadelphia eagles on thursday night football

projecting politics political messages in american films - Aug 15 2023

web apr 28 2015 the aptly titled projecting politics systematically surveys decade by decade the history of overt and covert political messages in american films from the

china sows disinformation about hawaii fires using new - Jul 10 2020

special counsel seeks court order limiting trump s public - Nov 13 2020

web 10 hours ago writers have denounced the pulitzer s citizenship requirement in the past but failed to solicit a response but then javier zamora poet and author of unaccompanied

elizabeth haas projecting politics political messages in - Dec 15 2020

web sep 9 2023 in post roe america nikki haley seeks a new path on abortion for g o p in crafting an anti abortion message that doesn t alienate moderate republicans and

[projecting politics political messages in american films](#) - Mar 10 2023

web an interdisciplinary exploration of the relationship between american politics and popular films projecting politics offers original approaches to determining the political contours

[white house urges eligible immigrants to apply for work permits](#) - Aug 23 2021

web apr 20 2015 buy projecting politics political messages in american films 2 by haas elizabeth christensen terry haas peter j isbn 9780765635969 from amazon s

projecting politics political messages in american - Jul 14 2023

web welcome welcome to the companion website for projecting politics political messages in american films 2e by elizabeth haas terry christensen and peter j haas an

projecting politics political messages in american films - Jan 08 2023

web 1 day ago which could in part fall on the politicians of today but ahead of the 2024 election young americans continue to show weak enthusiasm for president biden and

minnesota vikings player alexander mattison shares racist - Jun 08 2020

projecting politics political messages in american films haas - Jun 01 2022

web jul 30 2005 terry christensen peter j haas this fascinating work examines in detail the relationship between american politics and films from birth of a nation to fahrenheit

election experts warn american democracy is under great stress - Apr 30 2022

web apr 10 2015 an interdisciplinary exploration of the relationship between american politics and popular films of all kinds including comedy science fiction melodrama and action

biden sharpens his economic message ahead of shutdown fight - Dec 07 2022

web apr 28 2015 an interdisciplinary exploration of the relationship between american politics and popular films of all kinds including comedy science fiction melodrama and action

projecting politics political messages in american films terry chr - Dec 27 2021

web apr 28 2015 an interdisciplinary exploration of the relationship between american politics and popular films of all kinds including comedy science fiction melodrama and action

projecting politics political messages in american films - Jun 13 2023

web apr 10 2015 an interdisciplinary exploration of the relationship between american politics and popular films of all kinds including comedy science fiction melodrama and action

projecting politics political messages in american film google - Nov 25 2021

web 2 days ago cnn house speaker kevin mccarthy made several unproven claims tuesday while announcing the opening of a formal impeachment inquiry into president

projecting politics political messages in american film - Jul 22 2021

web 20 hours ago the last politician inside joe biden s white house and the struggle for america s future by franklin foer dan

balz for the washington post mitt romney

[projecting politics political messages in american films](#) - Mar 18 2021

web 2 days ago he began his political career in 1994 in an unsuccessful effort to defeat then sen edward m kennedy d mass after helping to rescue the 2002 olympic winter

projecting politics political messages in american films - Jul 02 2022

web 2 days ago 09 13 2023 05 01 am edt prominent election experts have banded together to issue a warning american democracy is under great stress heading into the 2024

[projecting politics political messages in american film](#) - Aug 03 2022

web the aptly titled projecting politics systematically surveys decade by decade the history of overt and covert political messages in american films from the silent era to the present

republicans aim to impeach protasiewicz and biden political - May 20 2021

web feb 1 2015 an interdisciplinary exploration of the relationship between american politics and popular films of all kinds including comedy science fiction melodrama and action

[projecting politics political messages in american films](#) - Jun 20 2021

web gary senecal phd is an assistant professor of human services and rehabilitation studies at assumption college in worcester massachusetts his research is on the social

[javier zamora s fight against the pulitzer prizes and american](#) - Sep 11 2020

web sep 11 2023 sept 11 2023 when wildfires swept across maui last month with destructive fury china s increasingly resourceful information warriors pounced the disaster was not

[projecting politics political messages in american films edition 2](#) - Feb 09 2023

web 1 day ago 03 38 source cnn cnn president joe biden is expected to deploy new attacks on republicans in an economic speech on thursday just weeks ahead of a

[imagerunner 5570 support canon middle east](#) - Feb 12 2022

web your operating system operating system detected individual drivers windows 32bit 64bit color network scangear 2 v2 31 file version v2 31 release date 28 november 2022 operating system s windows 11 windows 10 32 bit windows 10 64 bit windows 8 1 32 bit windows 8 1 64 bit windows 7 32 bit windows 7 64 bit

[canon ir5570 series manuals manualslib](#) - Apr 28 2023

web imagerunner 5570 support download drivers software and manuals canon uk canon consumer product support imagerunner series support download drivers software manuals product range

error codes canon ir5570 page 28 printcopy info - Oct 11 2021

imagerunner 5570 support download drivers software and - Mar 28 2023

web support canon ir 5570 drivers software manuals apps functions firmware faqs help important information specifications drivers 73 for certain products a driver is necessary to enable the connection between your product and a computer

imagerunner 5570 support download drivers software and - Feb 24 2023

web jan 19 2023 error code finder use our error finder tool below to find the solution to your error codes

canon ir4570 trouble error codes pdf power supply scribd - Jul 20 2022

web when an error occurs the alarm lamp flashes and a support code error number is displayed on the computer screen for some errors the power lamp and the alarm lamp flashes alternately check the status of the lamps and the message then take the appropriate action to resolve the error

imagerunner advance dx c3922i canon europe - Dec 13 2021

web select your support content drivers software manuals apps functions firmware faqs help important information error codes

canon ir5570 error code e821 with sub codes of 0001 and 0002 - Oct 23 2022

web code e000 0001 description fixing belt temperature rise is insufficient at power on fixing main thermistor thm1 1 temperature does not reach 50 degrees celsius within 120 seconds after startup of fixing belt temperature control remedy 1 check if the detection temperature of the thermistor is risen in service mode a

error codes canon ir advance c7055 page 1 - Sep 21 2022

web may 12 2015 if this error recurs after you reload the roll remove the roll holder from the printer push the roll firmly in until it touches the roll holder flange and reload the roll holder in the printer see loading and printing on rolls ipf680 ipf685 ipf780 ipf785 ipf670 ipf770

canon ir5570 error codes pdf copy - Apr 16 2022

web nov 1 2023 auto suggest helps you quickly narrow down your search results by suggesting possible matches as you type

canon pixma manuals ip110 series if an error occurs □□ - Jun 18 2022

web jan 11 2012 rickshaw rendering array of 400 models complete with event attachments from 8 6 seconds to 1 6 seconds to 80 msec feels good man

error code finder canon u s a inc - Jan 26 2023

web download a user manual for your canon product drivers drivers drivers download drivers for your canon product firmware firmware firmware download software for your canon product contact support contact product support contact support find product support or contact support canon self service portal canon self service

canon knowledge base error message list of the printer and - Aug 21 2022

web canon ir4570 trouble error codes list code description remedy the temperature of the fixing assembly is abnormally high while startup control is under way the reading of the main thermistor is less than 30 deg c continuously for 200 msec or more 1 sec after the start of power supply

understand error and support codes on your printer - May 30 2023

web we have 9 canon ir5570 series manuals available for free pdf download service manual manual portable manual installation procedure general timing chart general circuit diagram service bulletin canon ir5570 series service manual 684 pages

canon ir 5570 canon central and north africa - Dec 25 2022

web may 29 2011 in troubleshooting this instance of e732 0001 error code the first check was to verify the presence of 24v 13v at j301 of the interface pcb no 24v or 13v was detected at j301 these voltages are generated from the converter pcb the general circuit diagram describes this pcb as a dc dc pcb

imagerunner 5570 support canon emirates - Nov 11 2021

web description there is an error in the detection of fixing inlet guide connection at power on the connection of the fixing inlet guide solenoid is not detected remedy check the connection of the connector

error codes canon ir5570 page 1 - Oct 03 2023

web canon ir5570 error codes list page 1 all about this machine error code all codes page code e000 0000 description the heater fails to heat after correcting the fault be sure to reset the error copier function clear err after power on the reading of the

solved mx922 b200 error canon community - Mar 16 2022

web imagerunner 5570 support download drivers software and manuals canon middle east canon consumer product support imagerunner series support download drivers software manuals

error codes canon ir5570 page 27 printcopy info - Jun 30 2023

web code e805 0001 description there is a heat discharge fan error there is a feed fan error the heat discharge fan stop signal has been detected for 5 sec or more even when the heat discharge fan is on remedy check the connection of the connector replace the fan

list of error codes without messages canon user manuals - Sep 02 2023

web if a send receive or fax job does not complete successfully the error code is printed in the results column of various reports such as the communication management report see printing reports perform the necessary procedures according to the error code 001 to 700 701 to 800 801 to 850 851 to 995 001 to 700 701 to 800 801 to 850

[imagerunner 5570 support download drivers software and](#) - Jan 14 2022

web file version 4 0 11 release date 30 may 2023 this driver is packaged in the rpm format for use with redhat fedora suse mandriva and other linux systems this driver is for 32 bit versions of linux operating systems the cque driver facilitates the creation and configuration of printer queues on linux workstations or servers allowing

error code canon ir4570 ir3570 ir2870 ir2270 - May 18 2022

web this textbook provides a firm foundation for those studying the field of error control codes giving step by step instruction on this complex topic beginning with single parity code checks and repetition codes

[error code for cannon ir5570 ir6570 copytechnet com](#) - Nov 23 2022

web 06 04 2010 1 gencoservice guest canon ir5570 error code e821 with sub codes of 0001 and 0002 checked binding broken cleaning assy even the microswitch ms5 fans fm2 and fm3 are working properly

[list of error codes without messages canon user manuals](#) - Aug 01 2023

web the file could not be saved because a file with the same name already exists normally automatic renaming is performed to append a number between 1 and 999 to the filename when a file with the same name exists but the file could not be saved because files with the numbers 1 to 999 appended to them already exist