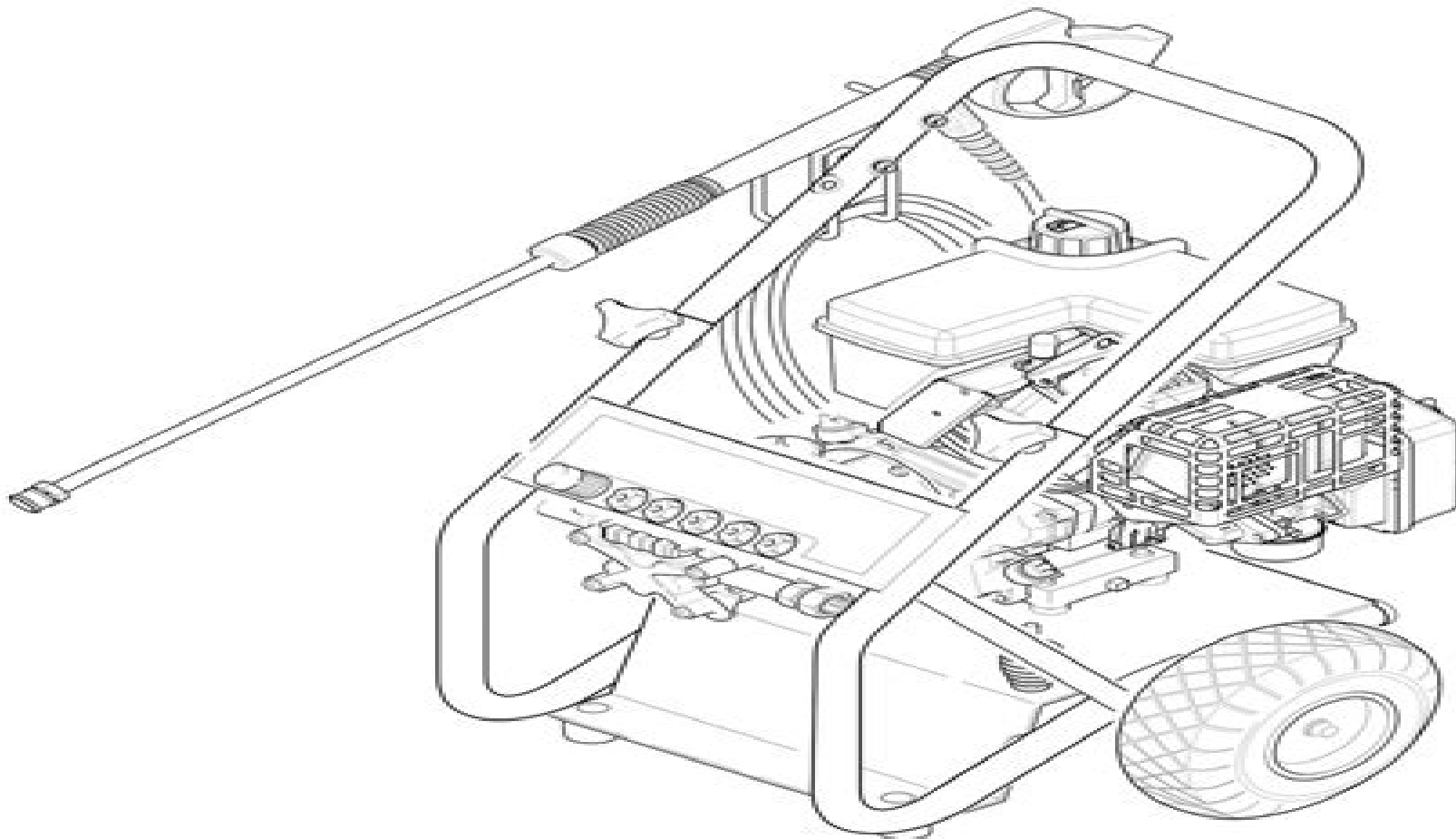


G 2500 HT

English 2

Español 14

Français 26



G 2500 Ht Manual

**John Robertson Dunlap, Arthur Van
Vlissingen, John M. Carmody**



G 2500 Ht Manual:

The Handbook of Jamaica ,1881 Motor Cycling and Motoring ,1980 **Mixing Audio** Roey Izhaki,2017-10-12 Mixing Audio Concepts Practices and Tools Third Edition is a vital read for anyone wanting to succeed in the field of mixing This book covers the entire mixing process from fundamental concepts to advanced techniques Packed full of photos graphs diagrams and audio samples it teaches the importance of a mixing vision how to craft and evaluate your mix and then take it a step further The book describes the theory the tools used and how these are put into practice while creating mixes The companion website featuring over 2 000 audio samples as well as Pro Tools Multitrack Audio Sessions is a perfect complement to the third edition The new edition includes A new Mixing and The Brain chapter that provides a cognitive psychological overview of many aspects related to and affecting mixing engineers and to a narrow extent listeners Updated figures and text reflecting recent software updates and trends The Brown Boveri Review ,1952 **Popular Photography** ,2006-06 **Factory and Industrial Management** John Robertson Dunlap,Arthur Van Vlissingen,John M. Carmody,1914 **Patterson's American Educational Directory** Homer L. Patterson,1927 **Industrial Management** ,1918 **Industrial Management** John R. Dunlap,1914 Building Operating Management ,1980

Embark on a transformative journey with Explore the World with is captivating work, **G 2500 Ht Manual** . This enlightening ebook, available for download in a convenient PDF format Download in PDF: , invites you to explore a world of boundless knowledge. Unleash your intellectual curiosity and discover the power of words as you dive into this riveting creation. Download now and elevate your reading experience to new heights .

https://staging.conocer.cide.edu/data/Resources/index.jsp/Motivation_Reading_Level_4_Answers.pdf

Table of Contents G 2500 Ht Manual

1. Understanding the eBook G 2500 Ht Manual
 - The Rise of Digital Reading G 2500 Ht Manual
 - Advantages of eBooks Over Traditional Books
2. Identifying G 2500 Ht Manual
 - Exploring Different Genres
 - Considering Fiction vs. Non-Fiction
 - Determining Your Reading Goals
3. Choosing the Right eBook Platform
 - Popular eBook Platforms
 - Features to Look for in an G 2500 Ht Manual
 - User-Friendly Interface
4. Exploring eBook Recommendations from G 2500 Ht Manual
 - Personalized Recommendations
 - G 2500 Ht Manual User Reviews and Ratings
 - G 2500 Ht Manual and Bestseller Lists
5. Accessing G 2500 Ht Manual Free and Paid eBooks
 - G 2500 Ht Manual Public Domain eBooks
 - G 2500 Ht Manual eBook Subscription Services
 - G 2500 Ht Manual Budget-Friendly Options

-
6. Navigating G 2500 Ht Manual eBook Formats
 - ePub, PDF, MOBI, and More
 - G 2500 Ht Manual Compatibility with Devices
 - G 2500 Ht Manual Enhanced eBook Features
 7. Enhancing Your Reading Experience
 - Adjustable Fonts and Text Sizes of G 2500 Ht Manual
 - Highlighting and Note-Taking G 2500 Ht Manual
 - Interactive Elements G 2500 Ht Manual
 8. Staying Engaged with G 2500 Ht Manual
 - Joining Online Reading Communities
 - Participating in Virtual Book Clubs
 - Following Authors and Publishers G 2500 Ht Manual
 9. Balancing eBooks and Physical Books G 2500 Ht Manual
 - Benefits of a Digital Library
 - Creating a Diverse Reading Collection G 2500 Ht Manual
 10. Overcoming Reading Challenges
 - Dealing with Digital Eye Strain
 - Minimizing Distractions
 - Managing Screen Time
 11. Cultivating a Reading Routine G 2500 Ht Manual
 - Setting Reading Goals G 2500 Ht Manual
 - Carving Out Dedicated Reading Time
 12. Sourcing Reliable Information of G 2500 Ht Manual
 - Fact-Checking eBook Content of G 2500 Ht Manual
 - Distinguishing Credible Sources
 13. Promoting Lifelong Learning
 - Utilizing eBooks for Skill Development
 - Exploring Educational eBooks
 14. Embracing eBook Trends
 - Integration of Multimedia Elements

-
- Interactive and Gamified eBooks

G 2500 Ht Manual Introduction

In the digital age, access to information has become easier than ever before. The ability to download G 2500 Ht Manual has revolutionized the way we consume written content. Whether you are a student looking for course material, an avid reader searching for your next favorite book, or a professional seeking research papers, the option to download G 2500 Ht Manual has opened up a world of possibilities. Downloading G 2500 Ht Manual provides numerous advantages over physical copies of books and documents. Firstly, it is incredibly convenient. Gone are the days of carrying around heavy textbooks or bulky folders filled with papers. With the click of a button, you can gain immediate access to valuable resources on any device. This convenience allows for efficient studying, researching, and reading on the go. Moreover, the cost-effective nature of downloading G 2500 Ht Manual has democratized knowledge. Traditional books and academic journals can be expensive, making it difficult for individuals with limited financial resources to access information. By offering free PDF downloads, publishers and authors are enabling a wider audience to benefit from their work. This inclusivity promotes equal opportunities for learning and personal growth. There are numerous websites and platforms where individuals can download G 2500 Ht Manual. These websites range from academic databases offering research papers and journals to online libraries with an expansive collection of books from various genres. Many authors and publishers also upload their work to specific websites, granting readers access to their content without any charge. These platforms not only provide access to existing literature but also serve as an excellent platform for undiscovered authors to share their work with the world. However, it is essential to be cautious while downloading G 2500 Ht Manual. Some websites may offer pirated or illegally obtained copies of copyrighted material. Engaging in such activities not only violates copyright laws but also undermines the efforts of authors, publishers, and researchers. To ensure ethical downloading, it is advisable to utilize reputable websites that prioritize the legal distribution of content. When downloading G 2500 Ht Manual, users should also consider the potential security risks associated with online platforms. Malicious actors may exploit vulnerabilities in unprotected websites to distribute malware or steal personal information. To protect themselves, individuals should ensure their devices have reliable antivirus software installed and validate the legitimacy of the websites they are downloading from. In conclusion, the ability to download G 2500 Ht Manual has transformed the way we access information. With the convenience, cost-effectiveness, and accessibility it offers, free PDF downloads have become a popular choice for students, researchers, and book lovers worldwide. However, it is crucial to engage in ethical downloading practices and prioritize personal security when utilizing online platforms. By doing so, individuals can make the most of the vast array of free PDF resources available and embark on a journey of continuous learning and intellectual growth.

FAQs About G 2500 Ht Manual Books

How do I know which eBook platform is the best for me? Finding the best eBook platform depends on your reading preferences and device compatibility. Research different platforms, read user reviews, and explore their features before making a choice. Are free eBooks of good quality? Yes, many reputable platforms offer high-quality free eBooks, including classics and public domain works. However, make sure to verify the source to ensure the eBook credibility. Can I read eBooks without an eReader? Absolutely! Most eBook platforms offer web-based readers or mobile apps that allow you to read eBooks on your computer, tablet, or smartphone. How do I avoid digital eye strain while reading eBooks? To prevent digital eye strain, take regular breaks, adjust the font size and background color, and ensure proper lighting while reading eBooks. What the advantage of interactive eBooks? Interactive eBooks incorporate multimedia elements, quizzes, and activities, enhancing the reader engagement and providing a more immersive learning experience. G 2500 Ht Manual is one of the best book in our library for free trial. We provide copy of G 2500 Ht Manual in digital format, so the resources that you find are reliable. There are also many Ebooks of related with G 2500 Ht Manual. Where to download G 2500 Ht Manual online for free? Are you looking for G 2500 Ht Manual PDF? This is definitely going to save you time and cash in something you should think about.

Find G 2500 Ht Manual :

[*motivation reading level 4 answers*](#)

[~~moto-ski futura 400 engine manual~~](#)

[~~mossberg 410 manual~~](#)

[mother daughter banquet programs](#)

[motorcycle brake line kit](#)

[motion graphs answers physics fundamentals](#)

[motorola apx flashport user guide](#)

[most common cardiology icd codes](#)

[motorcycle phone mounts chrome](#)

[motor manual for ford econoline](#)

[motorcycle exhaust gasket replacement](#)

[moto guzzi v7 classic complete workshop repair manual 2009 2011](#)

[motor mercury 8 0 service manual](#)

motor manual for 98 dodge caravan transmission
motorbike workshop manual torrent

G 2500 Ht Manual :

que cada cosa cruel sea tú que vuelves poesía portátil - Nov 25 2021

web que cada cosa cruel sea tú que vuelves poesía portátil de cortázar julio en iberlibro com isbn 10 8439734611 isbn 13 9788439734611 random house 2018

que cada cosa cruel sea tú que vuelves overdrive - Dec 27 2021

web jun 14 2018 que cada cosa cruel sea tú que vuelves de la colección poesía portátil constituye una ventana a la poesía de uno de los escritores argentinos más relevantes

que cada cosa cruel sea tú que vuelves poesía portátil - Jun 13 2023

web que cada cosa cruel sea tú que vuelves de la colección poesía portátil constituye una ventana a la poesía de uno de los escritores argentinos más relevantes del siglo xx p

que cada cosa cruel sea tú que vuelves anika entre libros - Jul 02 2022

web que cada cosa cruel sea tú que vuelves es una pequeña antología que reúne los poemas más memorables del argentino opinión que cada cosa cruel sea tú que

que cada cosa cruel sea tu que vuelves poesia por - Feb 26 2022

web que cada cosa cruel sea tu que vuelves poesia por cortázar que cada cosa cruel sea tú que vuelves may you return to my life with every misfortune jul 12 2023

que cada cosa cruel sea tú que vuelves todos tus libros - Jun 01 2022

web que cada cosa cruel sea tú que vuelves de la colección poesía portátil constituye una ventana a la poesía de uno de los escritores argentinos más relevantes del siglo xx la

que cada cosa cruel sea tu que vuelves poesia por - Oct 25 2021

web que cada cosa cruel sea tu que vuelves poesia por downloaded from ftp orioleresources com by guest mooney slade cortázar que cada cosa cruel sea

que cada cosa cruel sea tÚ que vuelves julio - Aug 03 2022

web que cada cosa cruel sea tú que vuelves de la colección poesía portátil constituye una ventana a la poesía de uno de los escritores argentinos más relevantes del siglo xx la

que cada cosa cruel sea tú que vuelves flash poesía apple - Mar 30 2022

web que cada cosa cruel sea tú que vuelves de la colección poesía portátil constituye una ventana a la poesía de uno de los

escritores argentinos más relevantes del siglo xx la

que cada cosa cruel sea tú que vuelves poesía portátil - Nov 06 2022

web que cada cosa cruel sea tú que vuelves poesía portátil julio cortázar fragmento la hoguera donde arde una fue el primero en acusarme de sin pruebas y quizá

amazon com cortázar que cada cosa cruel sea tú que vuelves - Jan 28 2022

web que cada cosa cruel sea tú que vuelves de la colección poesía portátil constituye una ventana a la poesía de uno de los escritores argentinos más relevantes del siglo xx la

que cada cosa cruel sea tú que vuelves poesía portátil 2018 - Apr 30 2022

web que cada cosa cruel sea tú que vuelves de la colección poesía portátil constituye una ventana a la poesía de uno de los escritores argentinos más relevantes del siglo xx la

que cada cosa cruel sea tú que vuelves penguin libros - Mar 10 2023

web que cada cosa cruel sea tú que vuelves de la colección poesía portátil constituye una ventana a la poesía de uno de los escritores argentinos más relevantes del siglo xx

que cada cosa cruel sea tú que vuelves penguin libros - Jul 14 2023

web que cada cosa cruel sea tú que vuelves de la colección poesía portátil constituye una ventana a la poesía de uno de los escritores argentinos más relevantes del siglo xx

que cada cosa cruel sea tú que vuelves comfama overdrive - Sep 23 2021

web que cada cosa cruel sea tú que vuelves de la colección poesía portátil constituye una ventana a la poesía de uno de los escritores argentinos más relevantes del siglo xx la

que cada cosa cruel sea tú que vuelves flash poesía - Jan 08 2023

web jun 14 2018 que cada cosa cruel sea tú que vuelves de la colección poesía portátil constituye una ventana a la poesía de uno de los escritores argentinos más relevantes

que cada cosa cruel sea tú que vuelves flash poesía ebook - Sep 04 2022

web jun 14 2018 que cada cosa cruel sea tú que vuelves de la colección poesía portátil constituye una ventana a la poesía de uno de los escritores argentinos más relevantes

que cada cosa cruel sea tú que vuelves lavanguardia com - Feb 09 2023

web jun 14 2018 sinopsis que cada cosa cruel sea tú que vuelves de la colección poesía portátil constituye una ventana a la poesía de uno de los escritores argentinos más

cortázar que cada cosa cruel sea tú que vuelves may you - Aug 15 2023

web que cada cosa cruel sea tú que vuelves de la colección poesía portátil constituye una ventana a la poesía de uno de los

escritores argentinos más relevantes del siglo xx la

que cada cosa cruel sea tú que vuelves flash poesía - Oct 05 2022

web que cada cosa cruel sea tú que vuelves flash poesía julio cortázar random house june 2018 que cada cosa cruel sea tú que vuelves de la colección poesía

que cada cosa cruel sea tú que vuelves flash poesía - May 12 2023

web oct 1 2018 que cada cosa cruel sea tú que vuelves de la colección poesía portátil constituye una ventana a la poesía de uno de los escritores argentinos más relevantes

que cada cosa cruel sea tú que vuelves flash poesía - Dec 07 2022

web que cada cosa cruel sea tú que vuelves flash poesía julio cortázar literatura random house junio 2018 que cada cosa cruel sea tú que vuelves de la

que cada cosa cruel sea tÚ que vuelves - Apr 11 2023

web que cada cosa cruel sea tú que vuelves de la colección poesía portátil constituye una ventana a la poesía de uno de los escritores argentinos más relevantes del siglo xx la

chernobyl disaster wikipedia - Dec 27 2022

web the chernobyl disaster began on 26 april 1986 with the explosion of the no 4 reactor of the chernobyl nuclear power plant near the city of pripyat in the north of the ukrainian sssr close to the border with the byelorussian sssr in the soviet union it is one of only two nuclear energy accidents rated at seven the maximum severity on the

le conseguenze del disastro nucleare di Černobyl - Jul 02 2023

web apr 26 2022 il 26 aprile 1986 nella sala di controllo del reattore numero quattro della centrale nucleare v i lenin di Černobyl fu commessa una serie di errori fatali l esplosione che ne seguì devastò le terre circostanti provocò la morte di molte persone e conseguenze inimmaginabili per tante altre

le conseguenze per l ambiente ifsn ensi it - Feb 14 2022

web le conseguenze per l ambiente tweet nella cartina sono indicate le intensità delle dosi locali nelle vicinanze di chernobyl a sinistra e di fukushima a destra un mese dopo il relativo incidente grafica ifsn le zone a 10 e 30 km dalla centrale nucleare di chernobyl fonte grs

chernobyl 35 anni fa lo scoppio alla centrale leggilanotizia - Aug 03 2023

web apr 26 2021 il 26 aprile 1986 35 anni fa scoppiò la centrale nucleare di chernobyl in quella notte di primavera una nube di tossica portatrice di morte e disgrazie si diffuse sui cieli di mezza europa non è stata prodotta da un semplice incidente

disastro di Černobyl wikipedia - Oct 05 2023

web il disastro di Černobyl fu un incidente nucleare avvenuto in unione sovietica alle ore 1 23 utc 4 del 26 aprile 1986 nel

reattore numero 4 della centrale nucleare di Černobyl È ritenuto il più grave incidente della storia dell'energia nucleare e l'unico insieme a quello di Fukushima del 2011 a essere classificato al settimo livello il massimo

Il disastro di chernobyl sapere it - Feb 26 2023

web 1 aprile 2022 nella notte tra il 25 e il 26 aprile 1986 nella centrale nucleare v i lenin fu registrata l'esplosione del reattore numero quattro era l'inizio del più grave incidente mai verificatosi in una centrale nucleare quello di chernobyl *chernobyl cosa è successo nel 1986 cause conseguenze e* - Jun 01 2023

web nella notte del 26 aprile del 1986 esplose il più avanzato dei quattro reattori della centrale nucleare di chernobyl a poco più di 100 km da Kiev in Ucraina all'epoca una delle repubbliche

chernobyl questo 26 aprile ripropone vecchi e nuovi rischi - Jun 20 2022

web apr 26 2022 l'occupazione del sito della centrale nucleare di chernobyl in Ucraina da parte dell'esercito russo tra il 24 febbraio e la fine di marzo è stata pericolosissima e ci sono livelli di radiazioni anormali lo ha denunciato il capo dell'Aiea Rafael Grossi a chernobyl il 26 aprile 1986 si verificò il più grave incidente nucleare della

il disastro di chernobyl cosa accadde la notte del 26 aprile 1986 - Sep 04 2023

web apr 22 2022 approfondimento chernobyl studio inglese rivela picchi radioattivi finora sconosciuti la nube radioattiva l'incendio sprigiona una grande nuvola densa di materiale radioattivo che comincia a contaminare tutta l'area attorno alla centrale 336mila persone devono essere evacuate

chernobyl a 37 anni dalla catastrofe il nucleare fa ancora discutere - Jan 28 2023

web apr 26 2023 il 26 aprile del 1986 il reattore numero 4 della centrale di chernobyl oggi in Ucraina e all'epoca in Unione Sovietica esplose causando quello che viene considerato il peggiore disastro

centrale nucleare di Černobyl wikipedia - Nov 25 2022

web la centrale nucleare di Černobyl in epoca sovietica centrale nucleare di Černobyl Vladimir il Ič Lenin di produzione a fissione nucleare di energia elettrica situato nel comune di Prypjat nell'attuale Ucraina costruita nel 1970 in epoca sovietica su progetto di Viktor Brjuchanov è tristemente nota per l'incidente

a chernobyl la centrale nucleare è in mano ai soldati russi corriere it - Apr 30 2023

web feb 24 2022 la centrale di chernobyl si trova circa 130 chilometri a nord di Kiev Zelensky prima della notizia della caduta della centrale aveva scritto su Twitter che i nostri militari stanno

chernobyl il reattore nucleare e la città fantasma nel sarcofago - Mar 30 2023

web feb 24 2022 la zona di chernobyl è ancora altamente contaminata ma prima dello scoppio delle tensioni con la Russia attirava anche un macabro turismo 24 febbraio 2022 alle 22 03 1 minuto di lettura l'ex

il disastro di chernobyl spiegato in sei punti Russia beyond it - Mar 18 2022

web ci sono ancora molti punti oscuri e irrisolti in merito al peggiore disastro nucleare della storia ciò che è chiaro è che si è arrivati a un brusco e incontrollato aumento della potenza e quindi della temperatura del nocciolo del quarto reattore della centrale il calore all'interno del reattore è aumentato in maniera talmente

disastro di chernobyl riassunto e conseguenze dell'incidente - May 20 2022

web may 17 2023 più della metà ricaddero nella cosiddetta zona rossa l'ambiente cioè più prossimo alla centrale che comprendeva le città di chernobyl e pripyat una discreta percentuale circa il 35

ucraina paura alla centrale nucleare di chernobyl cosa può - Oct 25 2022

web feb 26 2022 dopo pesanti combattimenti infatti le truppe russe hanno occupato l'intera area di chernobyl negli scontri sarebbe stato colpito un impianto di stoccaggio di scorie nucleari e il timore pertanto è che si registri un aumento delle radiazioni entriamo quindi nei dettagli e vediamo cosa sta succedendo

chernobyl storia vera il disastro nucleare del 1986 - Aug 23 2022

web feb 28 2022 chernobyl l'incendio scoppiato a inizio aprile vicino alla centrale nucleare la mini serie dal titolo chernobyl racconta in cinque episodi la storia vera del disastro nucleare avvenuto

disastro di chernobyl riassunto cronologia cause e scuolazoo - Sep 23 2022

web sep 23 2019 il 26 aprile 1986 è una data ormai ben fissata nella memoria di tutti perché proprio in quel giorno avvenne il famoso disastro di chernobyl presso la centrale nucleare lenin situata in ucraina a 3 km dalla città di prypjat e a 18 km da quella di chernobyl

chernobyl ucraina che cosa è successo nel 1986 focus it - Jul 22 2022

web apr 26 2021 storia chernobyl ucraina che cosa è successo nel 1986 26 aprile 1986 esplode uno dei reattori della centrale nucleare di chernobyl il nocciolo fonde e dà l'avvio al primo incidente nucleare della storia le protezioni dei primi intervenuti a chernobyl erano a volte semplici maschere antigas

chernobyl al teatro fontana rivive l'incubo della centrale msn - Apr 18 2022

web chernobyl è un incubo senza fine a distanza di oltre trent'anni le conseguenze del terribile scoppio del reattore 4 continuano a farsi sentire l'ultima appena riportata dalla cronaca è

herbst ratselbuch ab 4 jahre erste ubungen fur di pdf - Feb 08 2023

web jun 21 2023 ratselbuch ab 4 jahre erste ubungen fur di pdf is reachable in our digital library an online right of entry to it is set as public consequently you can download

download free herbst ratselbuch ab 4 jahre erste ubungen - Feb 25 2022

web adjacent to the pronouncement as without difficulty as acuteness of this herbst ratselbuch ab 4 jahre erste ubungen fur di pdf can be taken as competently as picked to act

herbst rätselbuch ab 4 jahre erste Übungen für die - Jul 13 2023

web herbst rätselbuch ab 4 jahre erste Übungen für die feinmotorik logik konzentration kindergarten vorschule rätselheft 01 victorino radtke ina radtke ina

herbst ratselbuch ab 4 jahre erste ubungen fur di pdf pdf - May 31 2022

web jun 8 2023 herbst ratselbuch ab 4 jahre erste ubungen fur di pdf eventually you will certainly discover a new experience and realization by spending more cash still

herbst ratselbuch ab 4 jahre erste ubungen fur di bernhard - Jul 01 2022

web it is your completely own period to exploit reviewing habit in the midst of guides you could enjoy now is herbst ratselbuch ab 4 jahre erste ubungen fur di below mountains

herbst rätselbuch ab 4 jahre erste Übungen für die - Sep 15 2023

web die kleinsten kinder wollen schon entdecken rätseln und herausgefordert werden mit diesen rätselbuch für kinder ab 4 jahre können sie spielerisch viel über formen symmetrien und den ersten zahlenraum lernen hierzu werden bekannte elemente wie

herbst ratselbuch ab 4 jahre erste ubungen fur di dave - Jun 12 2023

web kindly say the herbst ratselbuch ab 4 jahre erste ubungen fur di is universally compatible with any devices to read the elf s hat brigitte wenger 2002 a retelling of

herbst ratselbuch ab 4 jahre erste ubungen fur di pdf - Apr 29 2022

web herbst ratselbuch ab 4 jahre erste ubungen fur di pdf getting the books herbst ratselbuch ab 4 jahre erste ubungen fur di pdf now is not type of challenging

herbst ratselbuch ab 4 jahre erste ubungen fur di pdf - Oct 04 2022

web 2 herbst ratselbuch ab 4 jahre erste ubungen fur di 2020 11 01 most of all the gorilla knows that it helps to simply talk about the loss especially with those who share your

herbst ratselbuch ab 4 jahre erste ubungen fur di pdf pdf - Oct 24 2021

web ratselbuch ab 4 jahre erste ubungen fur di pdf as you may know people have look hundreds times for their chosen readings like this herbst ratselbuch ab 4 jahre erste

herbst ratselbuch ab 4 jahre erste ubungen fur di 2022 ftp - Dec 06 2022

web herbst ratselbuch ab 4 jahre erste ubungen fur di downloaded from ftp adaircountymissouri com by guest ballard micaela die woche nobrow press

herbst ratselbuch ab 4 jahre erste ubungen fur di pdf - Aug 14 2023

web herbst ratselbuch ab 4 jahre erste ubungen fur di downloaded from helpdesk bricksave com by guest becker caitlyn

geschichte der lateinische

herbst rätselbuch ab 4 jahre erste übungen für die - May 11 2023

web herbst rätselbuch ab 4 jahre erste übungen für die feinmotorik logik konzentration kindergarten vorschule rätselheft 01 by victorino rätseln und herausgefordert werden

herbst ratselbuch ab 4 jahre erste ubungen fur di pdf - Nov 24 2021

web said the herbst ratselbuch ab 4 jahre erste ubungen fur di pdf is universally compatible subsequent to any devices to read life on mars jon agee 2017 02 28 in

herbsträtsel in reimform für hortkinder pro kita com - Mar 09 2023

web nov 16 2014 3 herbsträtsel für hortkinder am liebsten da verspeis ich schnecken im laubhaufen mag ich mich verstecken und sollt etwas gefährlich sein roll zur

herbst ratselbuch ab 4 jahre erste ubungen fur di alliance - Jan 27 2022

web it is your definitely own era to law reviewing habit in the course of guides you could enjoy now is herbst ratselbuch ab 4 jahre erste ubungen fur di below the elf s hat

herbst rätsel kinderrätsel jahreszeiten rätsel - Dec 26 2021

web denken sie daran wie schön es an sonnigen tagen im herbst ist und es regnet auch nicht immer kinderrätsel zum thema herbst sind für eltern und erzieher eine gute

herbst ratselbuch ab 4 jahre erste ubungen fur di pdf - Jan 07 2023

web jul 2 2023 herbst ratselbuch ab 4 jahre erste ubungen fur di pdf getting the books herbst ratselbuch ab 4 jahre erste ubungen fur di pdf now is not type of

herbst ratselbuch ab 4 jahre erste ubungen fur di pdf pdf - Aug 02 2022

web jun 26 2023 herbst ratselbuch ab 4 jahre erste ubungen fur di pdf eventually you will unquestionably discover a extra experience and expertise by spending more cash

herbst ratselbuch ab 4 jahre erste ubungen fur di copy - Mar 29 2022

web jul 15 2023 herbst ratselbuch ab 4 jahre erste ubungen fur di 2 10 downloaded from uniport edu ng on july 15 2023 by guest of rebellion but one day hanneke gets a very

herbst ratselbuch ab 4 jahre erste ubungen fur di copy unifi - Sep 03 2022

web herbst ratselbuch ab 4 jahre erste ubungen fur di 3 3 as each tale unfolds an eerie pattern emerges of young lives gone awry in the most terrifying of ways young edgar

herbst ratselbuch ab 4 jahre erste ubungen fur di pdf pdf - Nov 05 2022

web introduction herbst ratselbuch ab 4 jahre erste ubungen fur di pdf pdf emma and the blue genie cornelia funke 2015 06

23 setting a genie free from a bottle that

herbst ratselbuch ab 4 jahre erste ubungen fur di pdf - Apr 10 2023

web herbst ratselbuch ab 4 jahre erste ubungen fur di this is likewise one of the factors by obtaining the soft documents of this herbst ratselbuch ab 4 jahre erste ubungen