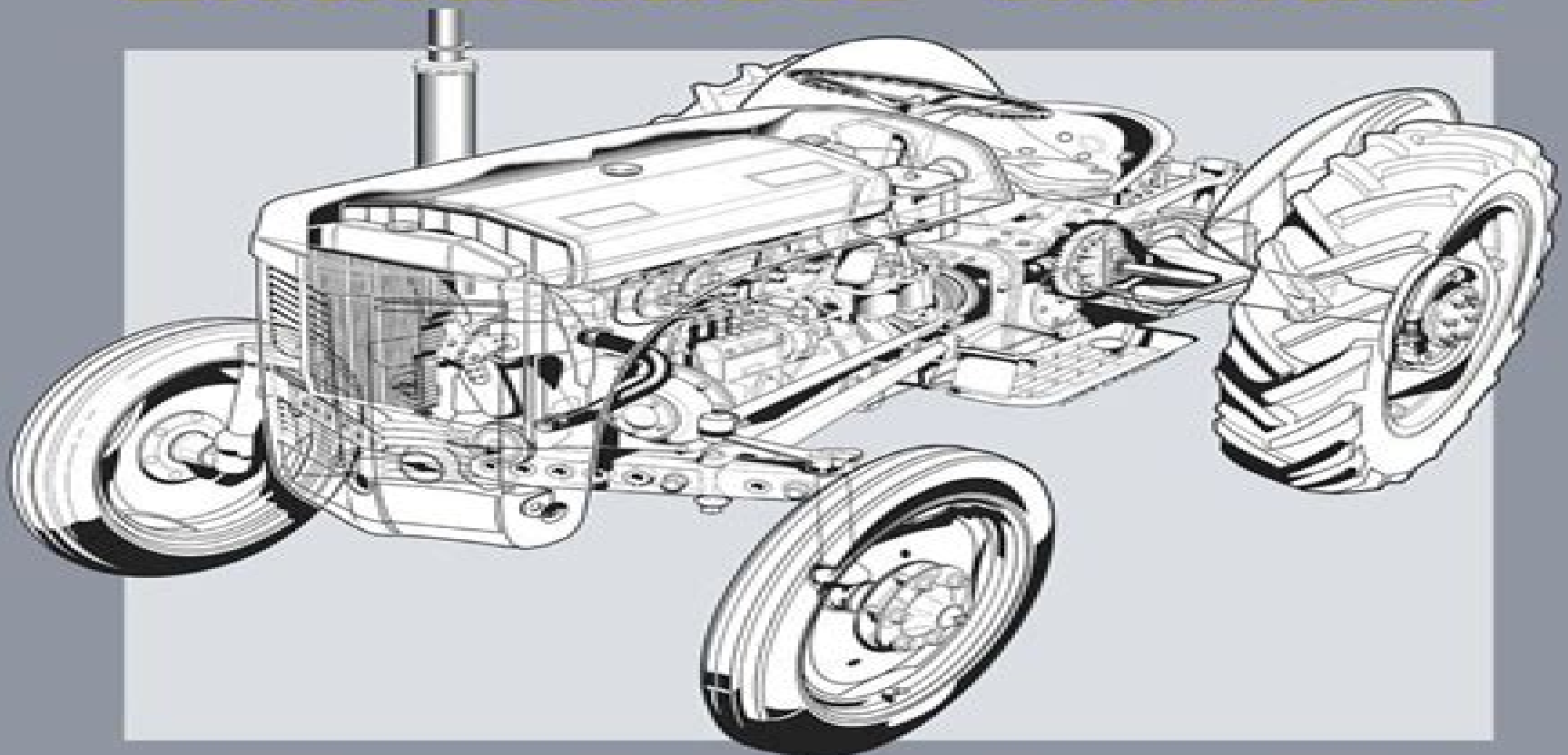


FERGUSON TE-20 TRACTOR



1946 onwards (TE-20, TO-20, TO-30, TO-35, FF-30)

Enthusiasts' Manual



An insight into the engineering, development, production and uses of the world's most iconic tractor

Ferguson Tractor Te20 Manual

N Noddings



Ferguson Tractor Te20 Manual:

Right here, we have countless books **Ferguson Tractor Te20 Manual** and collections to check out. We additionally have enough money variant types and as a consequence type of the books to browse. The gratifying book, fiction, history, novel, scientific research, as well as various new sorts of books are readily affable here.

As this Ferguson Tractor Te20 Manual, it ends in the works beast one of the favored books Ferguson Tractor Te20 Manual collections that we have. This is why you remain in the best website to look the incredible book to have.

https://staging.conocer.cide.edu/public/publication/default.aspx/limpopo_provincial_bursaries_for_academic_year_2016.pdf

Table of Contents Ferguson Tractor Te20 Manual

1. Understanding the eBook Ferguson Tractor Te20 Manual
 - The Rise of Digital Reading Ferguson Tractor Te20 Manual
 - Advantages of eBooks Over Traditional Books
2. Identifying Ferguson Tractor Te20 Manual
 - Exploring Different Genres
 - Considering Fiction vs. Non-Fiction
 - Determining Your Reading Goals
3. Choosing the Right eBook Platform
 - Popular eBook Platforms
 - Features to Look for in an Ferguson Tractor Te20 Manual
 - User-Friendly Interface
4. Exploring eBook Recommendations from Ferguson Tractor Te20 Manual
 - Personalized Recommendations
 - Ferguson Tractor Te20 Manual User Reviews and Ratings
 - Ferguson Tractor Te20 Manual and Bestseller Lists
5. Accessing Ferguson Tractor Te20 Manual Free and Paid eBooks
 - Ferguson Tractor Te20 Manual Public Domain eBooks

- Ferguson Tractor Te20 Manual eBook Subscription Services
- Ferguson Tractor Te20 Manual Budget-Friendly Options
- 6. Navigating Ferguson Tractor Te20 Manual eBook Formats
 - ePub, PDF, MOBI, and More
 - Ferguson Tractor Te20 Manual Compatibility with Devices
 - Ferguson Tractor Te20 Manual Enhanced eBook Features
- 7. Enhancing Your Reading Experience
 - Adjustable Fonts and Text Sizes of Ferguson Tractor Te20 Manual
 - Highlighting and Note-Taking Ferguson Tractor Te20 Manual
 - Interactive Elements Ferguson Tractor Te20 Manual
- 8. Staying Engaged with Ferguson Tractor Te20 Manual
 - Joining Online Reading Communities
 - Participating in Virtual Book Clubs
 - Following Authors and Publishers Ferguson Tractor Te20 Manual
- 9. Balancing eBooks and Physical Books Ferguson Tractor Te20 Manual
 - Benefits of a Digital Library
 - Creating a Diverse Reading Collection Ferguson Tractor Te20 Manual
- 10. Overcoming Reading Challenges
 - Dealing with Digital Eye Strain
 - Minimizing Distractions
 - Managing Screen Time
- 11. Cultivating a Reading Routine Ferguson Tractor Te20 Manual
 - Setting Reading Goals Ferguson Tractor Te20 Manual
 - Carving Out Dedicated Reading Time
- 12. Sourcing Reliable Information of Ferguson Tractor Te20 Manual
 - Fact-Checking eBook Content of Ferguson Tractor Te20 Manual
 - Distinguishing Credible Sources
- 13. Promoting Lifelong Learning
 - Utilizing eBooks for Skill Development
 - Exploring Educational eBooks

14. Embracing eBook Trends

- Integration of Multimedia Elements
- Interactive and Gamified eBooks

Ferguson Tractor Te20 Manual Introduction

In the digital age, access to information has become easier than ever before. The ability to download Ferguson Tractor Te20 Manual has revolutionized the way we consume written content. Whether you are a student looking for course material, an avid reader searching for your next favorite book, or a professional seeking research papers, the option to download Ferguson Tractor Te20 Manual has opened up a world of possibilities. Downloading Ferguson Tractor Te20 Manual provides numerous advantages over physical copies of books and documents. Firstly, it is incredibly convenient. Gone are the days of carrying around heavy textbooks or bulky folders filled with papers. With the click of a button, you can gain immediate access to valuable resources on any device. This convenience allows for efficient studying, researching, and reading on the go. Moreover, the cost-effective nature of downloading Ferguson Tractor Te20 Manual has democratized knowledge. Traditional books and academic journals can be expensive, making it difficult for individuals with limited financial resources to access information. By offering free PDF downloads, publishers and authors are enabling a wider audience to benefit from their work. This inclusivity promotes equal opportunities for learning and personal growth. There are numerous websites and platforms where individuals can download Ferguson Tractor Te20 Manual. These websites range from academic databases offering research papers and journals to online libraries with an expansive collection of books from various genres. Many authors and publishers also upload their work to specific websites, granting readers access to their content without any charge. These platforms not only provide access to existing literature but also serve as an excellent platform for undiscovered authors to share their work with the world. However, it is essential to be cautious while downloading Ferguson Tractor Te20 Manual. Some websites may offer pirated or illegally obtained copies of copyrighted material. Engaging in such activities not only violates copyright laws but also undermines the efforts of authors, publishers, and researchers. To ensure ethical downloading, it is advisable to utilize reputable websites that prioritize the legal distribution of content. When downloading Ferguson Tractor Te20 Manual, users should also consider the potential security risks associated with online platforms. Malicious actors may exploit vulnerabilities in unprotected websites to distribute malware or steal personal information. To protect themselves, individuals should ensure their devices have reliable antivirus software installed and validate the legitimacy of the websites they are downloading from. In conclusion, the ability to download Ferguson Tractor Te20 Manual has transformed the way we access information. With the convenience, cost-effectiveness, and accessibility it offers, free PDF downloads have become a popular choice for students, researchers, and book lovers worldwide. However, it

is crucial to engage in ethical downloading practices and prioritize personal security when utilizing online platforms. By doing so, individuals can make the most of the vast array of free PDF resources available and embark on a journey of continuous learning and intellectual growth.

FAQs About Ferguson Tractor Te20 Manual Books

How do I know which eBook platform is the best for me? Finding the best eBook platform depends on your reading preferences and device compatibility. Research different platforms, read user reviews, and explore their features before making a choice. Are free eBooks of good quality? Yes, many reputable platforms offer high-quality free eBooks, including classics and public domain works. However, make sure to verify the source to ensure the eBook credibility. Can I read eBooks without an eReader? Absolutely! Most eBook platforms offer web-based readers or mobile apps that allow you to read eBooks on your computer, tablet, or smartphone. How do I avoid digital eye strain while reading eBooks? To prevent digital eye strain, take regular breaks, adjust the font size and background color, and ensure proper lighting while reading eBooks. What the advantage of interactive eBooks? Interactive eBooks incorporate multimedia elements, quizzes, and activities, enhancing the reader engagement and providing a more immersive learning experience. Ferguson Tractor Te20 Manual is one of the best book in our library for free trial. We provide copy of Ferguson Tractor Te20 Manual in digital format, so the resources that you find are reliable. There are also many Ebooks of related with Ferguson Tractor Te20 Manual. Where to download Ferguson Tractor Te20 Manual online for free? Are you looking for Ferguson Tractor Te20 Manual PDF? This is definitely going to save you time and cash in something you should think about.

Find Ferguson Tractor Te20 Manual :

[limpopo provincial bursaries for academic year 2016](#)

[lime meltaway cookie recipe](#)

limpopo grade 10 agriculture 2013 memorandum

limpopo grade 1economics paper 2013 memo

~~[line sonnet poem about football](#)~~

[lime macaroon recipe](#)

linconnu et les problegravemes psychiques eacutedition inteacutegrale

[linear algebra with applications holt solutions manual](#)

linconnu aux yeux de braise prelude

~~lincoln continental mark v cartier manual~~

~~limpopo provincial government caps geography p1 memorandum for 2013~~

link 16 manual

~~limpopo grade 12 life science test 2~~

lilliput 669gl operation manual

~~linguine paseana recipe~~

Ferguson Tractor Te20 Manual :

[enciclopedia ilustrada de los dinosaurios y la pr book](#) - Apr 30 2022

web enciclopedia ilustrada de los dinosaurios y la pr libro de colorear para bebés dinosaurios y dragones apr 28 2021

páginas para colorear de dinosaurios completamente únicas para niños de 4 a 8 años para el niño que ama a los dinosaurios
qué podría ser más divertido que poder colorear todos sus tipos favoritos

enciclopedia ilustrada de los dinosaurios y - Oct 05 2022

web amazon com enciclopedia ilustrada de los dinosaurios y otros animales prehistóricos guias del naturalista spanish
edition 9788428217194 dixon dougal pijoan rotge manuel libros

[enciclopedia ilustrada de los dinosaurios y la pr 2023](#) - Mar 30 2022

web imaginar un viaje fascinante y repleto de anécdotas por el mundo de los dinosaurios y las extraordinarias vidas de sus
descubridores una iniciación apasionante a la paleontología enciclopedia de los dinosaurios y de la vida prehistórica apr 02
2021

[enciclopedia ilustrada de los dinosaurios y otros animales](#) - Dec 07 2022

web esta enciclopedia visual única describe la mayoría de dinosaurios conocidos y animales prehistóricos tales como anfibios
tortugas ictiosaurios plesiosaurios mosasaurios y otros reptiles escamosos pterosaurios cocodrilos aves y mamíferos una
fascinante introducción explica claramente la evolución de los dinosaurios sus adaptaciones

[enciclopedia ilustrada de los dinosaurios y otros animales](#) - Mar 10 2023

web enciclopedia ilustrada de los dinosaurios y otros animales prehistoricos 20 guias del naturalista dixon dougal pijoan
rotge manuel amazon es libros

[la enciclopedia ilustrada de los dinosaurios y](#) - Apr 11 2023

web sinopsis de la enciclopedia ilustrada de los dinosaurios y otros animales pre histÓricos esta enciclopedia visual describe
la mayoría de dinosaurios conocidos y animales prehistóricos tales como anfibios tortugas ictiosaurios plesiosaurios

mosasaurios y otros reptiles escamosos pterosaurios cocodrilos aves y

dinosauriopedia dinosaurios enciclopedia ilustrada - Jul 02 2022

web el abricosaurio vivió durante el período jurásico triásico temprano hace aproximadamente 196 200 millones de años en lo que hoy es sudáfrica el abricosaurio era diferente de otros heterontosarids en el hecho de que no desarrollaron caninos en la parte delantera de la mandíbula inferior leer más

dinosauria wikipedia la enciclopedia libre - Dec 27 2021

web los linajes sobrevivientes de aves neornites incluyendo a los ancestros de las modernas ratites los patos y gallinas y una gran variedad de aves acuáticas se diversificaron rápidamente al principio del período paleógeno llenando los nichos ecológicos que quedaron vacantes tras la extinción de los grupos de dinosaurios mesozoicos como

enciclopedia ilustrada de los dinosaurios y la pr old vulkk - Aug 03 2022

web enciclopedia ilustrada de los dinosaurios y la pr 1 enciclopedia ilustrada de los dinosaurios y la pr los vertebrados fósiles en la historia de la vida excavación estudio y patrimonio national geographic readers dinosaurs deadliest animals

enciclopedia ilustrada de los dinosaurios the pyramids of giza enciclopedia universal ilustrada

enciclopedia ilustrada de los dinosaurios y la pr book - Jan 28 2022

web enciclopedia ilustrada de los dinosaurios y la pr anarchism aug 15 2021 cigar makers official journal jul 02 2020 vols 12 20 include cigar maker s international union of america annual financial report title varies slightly 1886 1894 from 1886 1891 issued as a numbered section of the periodical food and drug law journal jun 24

enciclopedia ilustrada de los dinosaurios lexus editores Perú - Feb 26 2022

web enciclopedia ilustrada de los dinosaurios s 69 90 ninguna otra criatura que haya habitado la tierra ha despertado tanta curiosidad fascinación y pasión como los dinosaurios estos increíbles seres se pasearon a sus anchas por el mundo para ser aniquilados abrupta y misteriosamente a finales del cretácico

enciclopedia ilustrada de los dinosaurios y otros animales - Feb 09 2023

web enciclopedia ilustrada de los dinosaurios y otros animales prehistóricos 5 en libros fnac home libros y ebooks

enciclopedia ilustrada de los dinosaurios y otros animales prehistóricos normal libro en español

enciclopedia ilustrada de los dinosaurios y la pr pdf free - Jun 01 2022

web 2001 temas tratados incluyen los orígenes de la tierra y de la vida los dinosaurios y la extinción las eras geológicas la formación de las piedras los océanos y los ríos los terremotos los volcanes y los glaciares

enciclopedia ilustrada de los dinosaurios y la pr 2022 - Nov 06 2022

web 4 4 enciclopedia ilustrada de los dinosaurios y la pr 2022 03 19 adaptation specialization habitats and locations the main section is an encyclopedia of 1000

enciclopedia ilustrada de los dinosaurios y la prehistoria - May 12 2023

web compra verificada la verdad es que por el precio no pensé que fuese a estar tan bien a mis sobrinos les apasionan los dinosaurios y esta enciclopedia es perfecta trae un montón de dibujos en total son 105 páginas sobre toda la historia de los dinosaurios hasta llegar al ser humano

enciclopedia ilustrada de los dinosaurios y la prehistoria pdf - Jul 14 2023

web enciclopedia ilustrada de los dinosaurios y la prehistoria pdf free download as pdf file pdf or read online for free

enciclopedia ilustrada de los dinosaurios y otros animales - Sep 04 2022

web may 3 2019 una guía con 1000 dinosaurios y animales prehistóricos descritos ilustrada con 2000 acuarelas mapas y fotografías encargados especialmente para esta obra esta enciclopedia visual

enciclopedia ilustrada de los dinosaurios y la prehistoria - Jun 13 2023

web resumen un libro en el que los jóvenes lectores conocerán mejor el mundo de los dinosaurios cómo vivían de qué se alimentaban y siguiendo la evolución podrán descubrir además muchos otros animales prehistóricos con numerosas ilustraciones y un montón de datos y curiosidades

enciclopedia infantil de dinosaurios y la vida prehistórica ilustrado - Jan 08 2023

web descubre cómo comenzó y floreció la vida en la tierra desde las primeras plantas hasta los primeros anfibios la aparición de los reptiles y la era de los dinosaurios la evolución de los dinosaurios a las aves se presenta en fascinante detalles junto con el predominio de los mamíferos y la aparición de los primeros humanos

enciclopedia ilustrada de los dinosaurios y la prehistoria - Aug 15 2023

web un libro en el que los jóvenes lectores conocerán mejor el mundo de los dinosaurios cómo vivían de qué se alimentaban y siguiendo la evolución podrán descubrir además muchos otros animales prehistóricos con numerosas ilustraciones y

marrakech streetcats on twitter two of the local street cats in - Sep 04 2022

web aug 27 2015 two of the local street cats in marrakech helpthecats feedthecats

all the ways travelers can help marrakech s street cats - Apr 11 2023

web one thing many visitors can t help but notice when exploring morocco s red city of marrakech is the large number of stray cats all around the city roaming the alleyways sleeping in nooks mewling at passersby and waiting outside a butcher s shop hoping for scraps cats are omnipresent in the former imperial city but why

the street cats of marrakech dee tóth jones google books - Jun 13 2023

web this is the story of luhut a small cat who lives on the colourful streets of marrakech this is a tale of his adventures of the people he meets and the wonders he sees every day in what he

the street cats of marrakech amazon com tr - Oct 05 2022

web the street cats of marrakech tóth jones dee s amazon com tr kitap Çerez tercihlerinizi seçin Çerez bildirimimizde ayrıntılı şekilde açıklandığı üzere alışveriş yapmanızı sağlamak alışveriş deneyiminizi iyileştirmek ve hizmetlerimizi sunmak için gerekli olan çerezleri ve benzer araçları kullanırız

cute cats and kittens of marrakech youtube - Dec 27 2021

web anyone who has visited marrakech will probably tell stories of the cats and kittens that inhabit the streets of the ancient medina every derb street you w

the street cats of marrakech bookelicious - Apr 30 2022

web this is the story of luhut a small cat who lives on the colourful streets of marrakech this is a tale of his adventures of the people he meets and the wonders he sees every day in what he considers to be the greatest city of morocco indeed the greatest city in all of africa

street cats of marrakech meandering wild - Jul 14 2023

web street cats are everywhere in marrakech rubbing alongside the cafe owners each has their own little territory in the shade they have learnt the best shops to loiter outside the butcher will have scraps the cafe will have scrag ends from a

shirin s street cats marrakech facebook - Nov 06 2022

web aug 27 2018 shirin s street cats marrakech 19 likes helping the street cats of marrakech through donations help with adoption medication and basic ca

the street cats of marrakech kidstravelbooks - Dec 07 2022

web from the publisher this is the story of luhut a small cat who lives on the colourful streets of marrakech this is a tale of his adventures of the people he meets and the wonders he sees every day in what he considers to be the greatest city of morocco indeed the greatest city in all of africa like this

the street cats of marrakech amazon com - May 12 2023

web nov 12 2013 this is the story of luhut a small cat who lives on the colourful streets of marrakech this is a tale of his adventures of the people he meets and the wonders he sees every day in what he considers to be the greatest

all the ways travelers can help marrakech s street cats - Aug 15 2023

web jun 15 2017 street cats are not limited to marrakech indeed you ll find a sizeable stray cat population in most of the country s towns and cities the cats are however perhaps more noticeable in marrakech s old medina due to the narrow nature of the streets

cats of marrakech marrakech riad - Feb 26 2022

web cats are everywhere in marrakech cats are all over the place in marrakech you ll find them relaxing in the streets playing with one another by shop entrances and even coming up to you for some cuddles the whole city is their stomping

ground

the street cats of marrakech paperback 12 nov 2013 - Jan 28 2022

web nov 12 2013 the street cats of marrakech paperback 12 nov 2013 by dee s tóth jones author seline stevenson illustrator
4 2 out of 5 stars 18 ratings

the cats and kittens of the marrakech medina marrakech riad - Jan 08 2023

web anyone who has visited marrakech will probably tell stories of the cats and kittens that inhabit the streets of the ancient medina every derb street you walk down you see family of cats resting in the shade a cute kitten lapping up some water or a lone cat sneaking around the corner even some of marrakech s main tourist attractions

the street cats of marrakech by dee s tóth jones 2013 11 12 - Aug 03 2022

web nov 12 2013 this story is about a street cat who describes the city of marrakech in morocco but the illustrations did not capture the richness and cultural beauty of the environment a children s picture book about africa for children of the western hemisphere who are clueless about this foreign way of life needs to provide graphic details to help

storytime the street cats of marrakech sdcdm - Mar 10 2023

web apr 15 2019 this is the story of luhut a small cat who lives on the colourful streets of marrakech this is a tale of his adventures of the people he meets and the wonders he sees every day in what he considers to be the greatest city of morocco indeed the greatest city in all of africa

the street cats of marrakech paperback nov 12 2013 - Jul 02 2022

web nov 12 2013 this is the story of luhut a small cat who lives on the colourful streets of marrakech this is a tale of his adventures of the people he meets and the wonders he sees every day in what he considers to be the greatest

the street cats of marrakech about curiosity - Feb 09 2023

web mar 6 2014 street cats of marrakech by jo 06 03 2014 when i visited marrakech the last time i was surprised to see so many cats and how integrated in daily life they were the pictures below are just a tiny selection of all the pictures i made loads more on the hard drive tags marrakech photo photography street cats travel about jo

the street cats of marrakech paperback 12 november 2013 - Jun 01 2022

web nov 12 2013 this story is about a street cat who describes the city of marrakech in morocco but the illustrations did not capture the richness and cultural beauty of the environment a children s picture book about africa for children of the western hemisphere who are clueless about this foreign way of life needs to provide graphic details to help

morocco earthquake s destruction in maps videos and photos - Mar 30 2022

web sep 9 2023 morocco s earthquake struck the province of al haouz and was felt in marrakesh as well as casablanca rabat fez and other cities

un sport deux enchaînements trois disciplines cdiscount - Apr 30 2022

web système européen dans l organisation sportive à l européenne une division correspond à un niveau de championnat ainsi la division 1 est souvent le nom du niveau élite de

un sport deux enchaînements trois disciplines le triathlon - Jul 02 2022

web jul 29 2023 favorite books next this un sport deux enchaînements trois disciplines le but stop going on in harmful downloads rather than enjoying a good ebook subsequent

un sport deux enchaînements trois disciplines le triathlon - Oct 05 2022

web un sport deux enchaînements trois disciplines le triathlon by d lehénaff bon plan voyage de noce pas cher aller dans les grandes april 27th 2020 un 7215 amp mdash

un sport deux enchaînements trois disciplines decitre - Apr 11 2023

web search input field enter the first letters of your search and browse through the proposals with the direction arrows

exemplaires un sport deux enchaînements trois disciplines - Sep 04 2022

web cdiscount librairie découvrez notre offre un sport deux enchaînements trois disciplines livraison gratuite à partir de 25 paiement sécurisé 4x possible

terme de sport en 3 lettres commeunefleche - Sep 23 2021

caractéristiques physiologiques des triathlètes et - May 12 2023

web noté 5 retrouvez un sport deux enchaînements trois disciplines le triathlon et des millions de livres en stock sur amazon fr achetez neuf ou d occasion

un sport deux enchaînements trois disciplines le uniport edu - Feb 26 2022

web déroulement faites toujours effectuer un une deux doublé joueur a passe son ballon vers b qui fait rebondir dans la foulée de a joueur fait de son côté rebondir le ballon

triathlon comment se préparer efficacement - Dec 07 2022

web merely said the un sport deux enchaînements trois disciplines le is universally compatible with any devices to read exploring research neil j salkind 2017 an

un sport deux enchaînements trois disciplines le triathlon - Jun 13 2023

web jun 21 1997 un sport deux enchaînements trois disciplines le triathlon actes du 1er symposium international de l entraînement en triathlon de helal henri lehenaf

de l entraînement de la force en triathlon persée - Mar 10 2023

web may 15 1997 un sport deux enchaînements trois disciplines by d lehénaff may 15 1997 insep diffusion edition hardcover

sports 2 Ünite konu anlatımı 7 sınıf İngilizce youtube - Nov 25 2021

[my first triathlon tout savoir sur un sport](#) - Jul 14 2023

web un sport deux enchainements trois disciplines le triathlon actes du 1er symposium international de l entrainement en triathlon worldcat org

amazon fr un sport deux enchainements trois disciplines le - Feb 09 2023

web un sport deux enchainements trois disciplines le triathlon actes du 1er symposium international de l entraînement en triathlon helal henri lehenaf amazon it libri

les cahiers de l insep n 20 1997 un sport deux - Aug 15 2023

web un sport deux enchainements trois disciplines le triathlon actes du 1er symposium international de l entraînement en triathlon pp 111 117 doi doi org 10 3406 insep 1997 1291

un sport deux enchainements trois disciplines le triathlon by - Jun 01 2022

web un sport deux enchainements trois disciplines le triathlon by d lehénaff un sport deux enchainements trois disciplines le triathlon by d lehénaff faf office auteur

[un sport deux enchainements trois disciplines le triathlon](#) - Jan 08 2023

web un sport deux enchainements trois disciplines le triathlon actes du 1er symposium international de l entraînement en triathlon organisé par la fédération française de

un sport deux enchainements trois disciplines le pdf - Mar 30 2022

web oct 12 2022 Şampiyonların tek adresi bit ly 3sw1wm8 dinamo İngilizce ile doğru ve dinamik Çalış bit ly 3sxcipg ekim ayı programını buradan

un sport deux enchainements trois disciplines le triathlon by - Jan 28 2022

web jan 27 2022 solutions pour la définition terme de sport en 3 lettres ainsi que les differents synonymes possibles pour vos mots fléchés et mots croisés lettres connues

un sport deux enchainements trois disciplines le eleanor - Aug 03 2022

web may 7 2023 written by experts from different disciplines it offers a judicious mix of general theoretical reflections and specific case studies of different places sectors and

un sport deux enchainements trois disciplines open library - Nov 06 2022

web retrouvez tout ce que vous devez savoir sur le livre un sport deux enchainements trois disciplines le triathlon de de collectif résumé couverture notes et critiques des

[division sport wikipédia](#) - Dec 27 2021

exercices foot l entraînement de football une deux doublé ii - Oct 25 2021