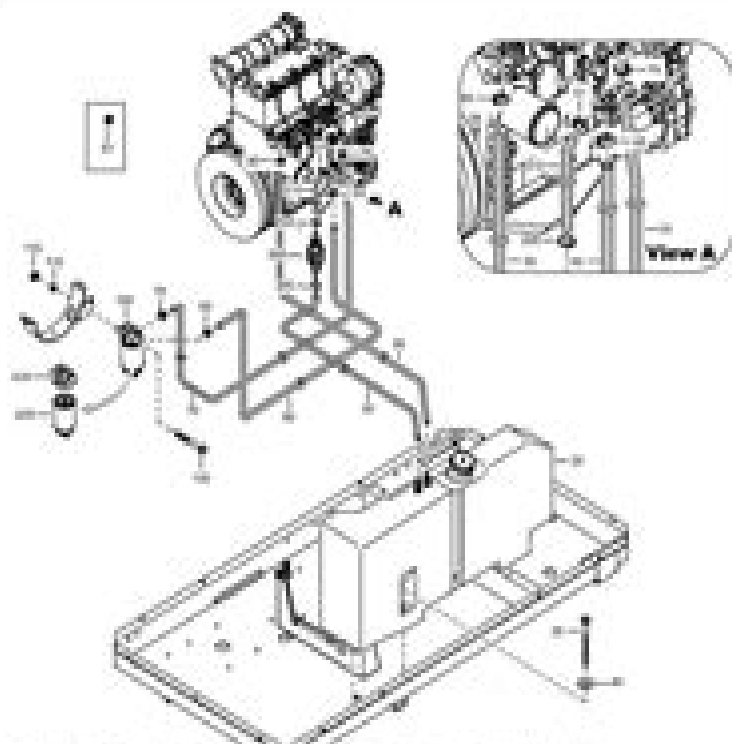


STANDARD

EXHAUST



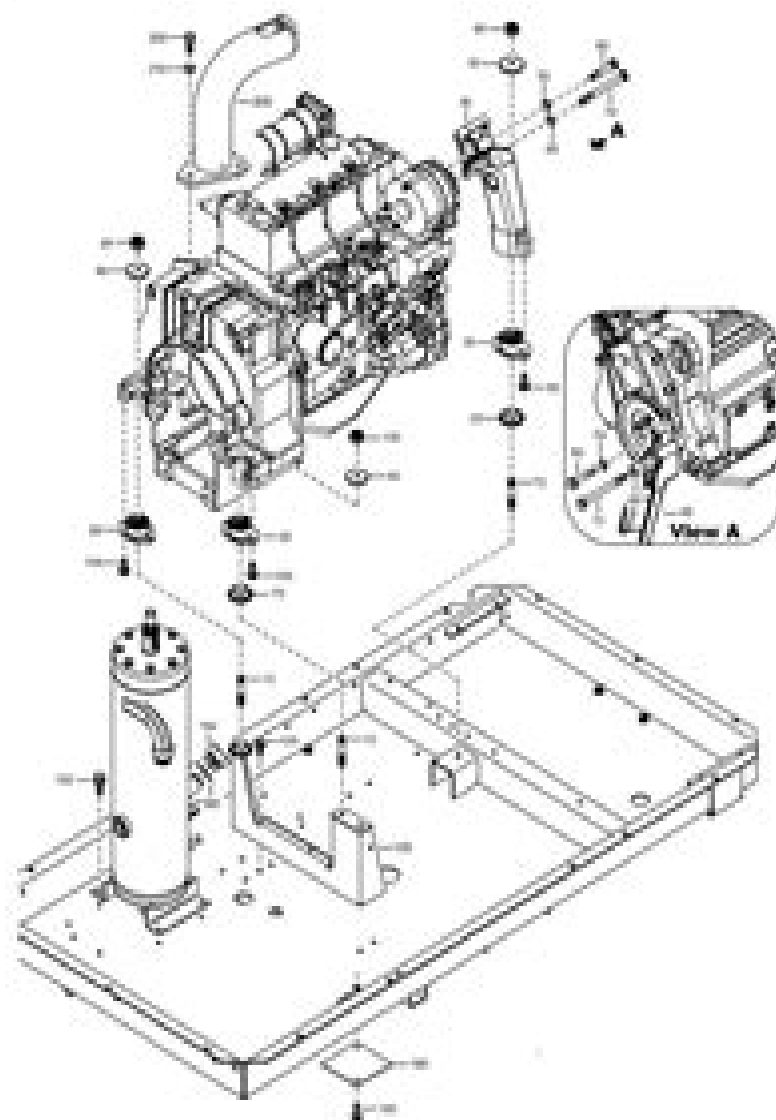
QTY	PART NUMBER	DESCRIPTION	QTY	QTY	PART NUMBER	DESCRIPTION	QTY
1	100-100-01	FUEL TANK	1	100-100-01	FUEL TANK	1	1
1	100-100-02	EXHAUST MANIFOLD	1	100-100-02	EXHAUST MANIFOLD	1	1
4	100-100-03	EXHAUST TUBES	4	100-100-03	EXHAUST TUBES	4	4
1	100-100-04	FUEL HOSE	1	100-100-04	FUEL HOSE	1	1
1	100-100-05	WASHER	1	100-100-05	WASHER	1	1
1	100-100-06	FUEL HOSE	1	100-100-06	FUEL HOSE	1	1
1	100-100-07	WASHER	1	100-100-07	WASHER	1	1
1	100-100-08	FUEL HOSE	1	100-100-08	FUEL HOSE	1	1
1	100-100-09	WASHER	1	100-100-09	WASHER	1	1
1	100-100-10	FUEL HOSE	1	100-100-10	FUEL HOSE	1	1
1	100-100-11	WASHER	1	100-100-11	WASHER	1	1
1	100-100-12	FUEL TANK	1	100-100-12	FUEL TANK	1	1
1	100-100-13	EXHAUST MANIFOLD	1	100-100-13	EXHAUST MANIFOLD	1	1
1	100-100-14	EXHAUST TUBES	1	100-100-14	EXHAUST TUBES	1	1
1	100-100-15	FUEL HOSE	1	100-100-15	FUEL HOSE	1	1
1	100-100-16	WASHER	1	100-100-16	WASHER	1	1
1	100-100-17	FUEL HOSE	1	100-100-17	FUEL HOSE	1	1
1	100-100-18	WASHER	1	100-100-18	WASHER	1	1
1	100-100-19	FUEL HOSE	1	100-100-19	FUEL HOSE	1	1
1	100-100-20	WASHER	1	100-100-20	WASHER	1	1
1	100-100-21	FUEL TANK	1	100-100-21	FUEL TANK	1	1
1	100-100-22	EXHAUST MANIFOLD	1	100-100-22	EXHAUST MANIFOLD	1	1
1	100-100-23	EXHAUST TUBES	1	100-100-23	EXHAUST TUBES	1	1
1	100-100-24	FUEL HOSE	1	100-100-24	FUEL HOSE	1	1
1	100-100-25	WASHER	1	100-100-25	WASHER	1	1
1	100-100-26	FUEL HOSE	1	100-100-26	FUEL HOSE	1	1
1	100-100-27	WASHER	1	100-100-27	WASHER	1	1
1	100-100-28	FUEL HOSE	1	100-100-28	FUEL HOSE	1	1
1	100-100-29	WASHER	1	100-100-29	WASHER	1	1
1	100-100-30	FUEL TANK	1	100-100-30	FUEL TANK	1	1
1	100-100-31	EXHAUST MANIFOLD	1	100-100-31	EXHAUST MANIFOLD	1	1
1	100-100-32	EXHAUST TUBES	1	100-100-32	EXHAUST TUBES	1	1
1	100-100-33	FUEL HOSE	1	100-100-33	FUEL HOSE	1	1
1	100-100-34	WASHER	1	100-100-34	WASHER	1	1
1	100-100-35	FUEL HOSE	1	100-100-35	FUEL HOSE	1	1
1	100-100-36	WASHER	1	100-100-36	WASHER	1	1
1	100-100-37	FUEL HOSE	1	100-100-37	FUEL HOSE	1	1
1	100-100-38	WASHER	1	100-100-38	WASHER	1	1
1	100-100-39	FUEL HOSE	1	100-100-39	FUEL HOSE	1	1
1	100-100-40	WASHER	1	100-100-40	WASHER	1	1
1	100-100-41	FUEL TANK	1	100-100-41	FUEL TANK	1	1
1	100-100-42	EXHAUST MANIFOLD	1	100-100-42	EXHAUST MANIFOLD	1	1
1	100-100-43	EXHAUST TUBES	1	100-100-43	EXHAUST TUBES	1	1
1	100-100-44	FUEL HOSE	1	100-100-44	FUEL HOSE	1	1
1	100-100-45	WASHER	1	100-100-45	WASHER	1	1
1	100-100-46	FUEL HOSE	1	100-100-46	FUEL HOSE	1	1
1	100-100-47	WASHER	1	100-100-47	WASHER	1	1
1	100-100-48	FUEL HOSE	1	100-100-48	FUEL HOSE	1	1
1	100-100-49	WASHER	1	100-100-49	WASHER	1	1
1	100-100-50	FUEL TANK	1	100-100-50	FUEL TANK	1	1
1	100-100-51	EXHAUST MANIFOLD	1	100-100-51	EXHAUST MANIFOLD	1	1
1	100-100-52	EXHAUST TUBES	1	100-100-52	EXHAUST TUBES	1	1
1	100-100-53	FUEL HOSE	1	100-100-53	FUEL HOSE	1	1
1	100-100-54	WASHER	1	100-100-54	WASHER	1	1
1	100-100-55	FUEL HOSE	1	100-100-55	FUEL HOSE	1	1
1	100-100-56	WASHER	1	100-100-56	WASHER	1	1
1	100-100-57	FUEL HOSE	1	100-100-57	FUEL HOSE	1	1
1	100-100-58	WASHER	1	100-100-58	WASHER	1	1
1	100-100-59	FUEL HOSE	1	100-100-59	FUEL HOSE	1	1
1	100-100-60	WASHER	1	100-100-60	WASHER	1	1
1	100-100-61	FUEL TANK	1	100-100-61	FUEL TANK	1	1
1	100-100-62	EXHAUST MANIFOLD	1	100-100-62	EXHAUST MANIFOLD	1	1
1	100-100-63	EXHAUST TUBES	1	100-100-63	EXHAUST TUBES	1	1
1	100-100-64	FUEL HOSE	1	100-100-64	FUEL HOSE	1	1
1	100-100-65	WASHER	1	100-100-65	WASHER	1	1
1	100-100-66	FUEL HOSE	1	100-100-66	FUEL HOSE	1	1
1	100-100-67	WASHER	1	100-100-67	WASHER	1	1
1	100-100-68	FUEL HOSE	1	100-100-68	FUEL HOSE	1	1
1	100-100-69	WASHER	1	100-100-69	WASHER	1	1
1	100-100-70	FUEL TANK	1	100-100-70	FUEL TANK	1	1
1	100-100-71	EXHAUST MANIFOLD	1	100-100-71	EXHAUST MANIFOLD	1	1
1	100-100-72	EXHAUST TUBES	1	100-100-72	EXHAUST TUBES	1	1
1	100-100-73	FUEL HOSE	1	100-100-73	FUEL HOSE	1	1
1	100-100-74	WASHER	1	100-100-74	WASHER	1	1
1	100-100-75	FUEL HOSE	1	100-100-75	FUEL HOSE	1	1
1	100-100-76	WASHER	1	100-100-76	WASHER	1	1
1	100-100-77	FUEL HOSE	1	100-100-77	FUEL HOSE	1	1
1	100-100-78	WASHER	1	100-100-78	WASHER	1	1
1	100-100-79	FUEL HOSE	1	100-100-79	FUEL HOSE	1	1
1	100-100-80	WASHER	1	100-100-80	WASHER	1	1
1	100-100-81	FUEL TANK	1	100-100-81	FUEL TANK	1	1
1	100-100-82	EXHAUST MANIFOLD	1	100-100-82	EXHAUST MANIFOLD	1	1
1	100-100-83	EXHAUST TUBES	1	100-100-83	EXHAUST TUBES	1	1
1	100-100-84	FUEL HOSE	1	100-100-84	FUEL HOSE	1	1
1	100-100-85	WASHER	1	100-100-85	WASHER	1	1
1	100-100-86	FUEL HOSE	1	100-100-86	FUEL HOSE	1	1
1	100-100-87	WASHER	1	100-100-87	WASHER	1	1
1	100-100-88	FUEL HOSE	1	100-100-88	FUEL HOSE	1	1
1	100-100-89	WASHER	1	100-100-89	WASHER	1	1
1	100-100-90	FUEL TANK	1	100-100-90	FUEL TANK	1	1
1	100-100-91	EXHAUST MANIFOLD	1	100-100-91	EXHAUST MANIFOLD	1	1
1	100-100-92	EXHAUST TUBES	1	100-100-92	EXHAUST TUBES	1	1
1	100-100-93	FUEL HOSE	1	100-100-93	FUEL HOSE	1	1
1	100-100-94	WASHER	1	100-100-94	WASHER	1	1
1	100-100-95	FUEL HOSE	1	100-100-95	FUEL HOSE	1	1
1	100-100-96	WASHER	1	100-100-96	WASHER	1	1
1	100-100-97	FUEL HOSE	1	100-100-97	FUEL HOSE	1	1
1	100-100-98	WASHER	1	100-100-98	WASHER	1	1
1	100-100-99	FUEL TANK	1	100-100-99	FUEL TANK	1	1
1	100-100-100	EXHAUST MANIFOLD	1	100-100-100	EXHAUST MANIFOLD	1	1

100-100-01

100

STANDARD

ENGINE AND EXHAUST



100

100-100-01

# Manual For Atlas Copco Xas5

**Lingsheng Yao**



**Manual For Atlas Copco Xas5:**

Atlas Copco Manual ,1978      **Atlas Copco** ,1979

*Atlas Copco Manual* t. editor Rogert,1975

*Atlas Copco manual* Torgny Rogert,S. Bertil Andersson,1975

If you ally compulsion such a referred **Manual For Atlas Copco Xas5** ebook that will have the funds for you worth, get the completely best seller from us currently from several preferred authors. If you want to funny books, lots of novels, tale, jokes, and more fictions collections are after that launched, from best seller to one of the most current released.

You may not be perplexed to enjoy all books collections Manual For Atlas Copco Xas5 that we will totally offer. It is not on the order of the costs. Its roughly what you need currently. This Manual For Atlas Copco Xas5, as one of the most working sellers here will certainly be along with the best options to review.

<https://staging.conocer.cide.edu/results/browse/index.jsp/Hammer%20And%20The%20Horn.pdf>

## **Table of Contents Manual For Atlas Copco Xas5**

1. Understanding the eBook Manual For Atlas Copco Xas5
  - The Rise of Digital Reading Manual For Atlas Copco Xas5
  - Advantages of eBooks Over Traditional Books
2. Identifying Manual For Atlas Copco Xas5
  - Exploring Different Genres
  - Considering Fiction vs. Non-Fiction
  - Determining Your Reading Goals
3. Choosing the Right eBook Platform
  - Popular eBook Platforms
  - Features to Look for in an Manual For Atlas Copco Xas5
  - User-Friendly Interface
4. Exploring eBook Recommendations from Manual For Atlas Copco Xas5
  - Personalized Recommendations
  - Manual For Atlas Copco Xas5 User Reviews and Ratings
  - Manual For Atlas Copco Xas5 and Bestseller Lists
5. Accessing Manual For Atlas Copco Xas5 Free and Paid eBooks

- Manual For Atlas Copco Xas5 Public Domain eBooks
  - Manual For Atlas Copco Xas5 eBook Subscription Services
  - Manual For Atlas Copco Xas5 Budget-Friendly Options
6. Navigating Manual For Atlas Copco Xas5 eBook Formats
    - ePub, PDF, MOBI, and More
    - Manual For Atlas Copco Xas5 Compatibility with Devices
    - Manual For Atlas Copco Xas5 Enhanced eBook Features
  7. Enhancing Your Reading Experience
    - Adjustable Fonts and Text Sizes of Manual For Atlas Copco Xas5
    - Highlighting and Note-Taking Manual For Atlas Copco Xas5
    - Interactive Elements Manual For Atlas Copco Xas5
  8. Staying Engaged with Manual For Atlas Copco Xas5
    - Joining Online Reading Communities
    - Participating in Virtual Book Clubs
    - Following Authors and Publishers Manual For Atlas Copco Xas5
  9. Balancing eBooks and Physical Books Manual For Atlas Copco Xas5
    - Benefits of a Digital Library
    - Creating a Diverse Reading Collection Manual For Atlas Copco Xas5
  10. Overcoming Reading Challenges
    - Dealing with Digital Eye Strain
    - Minimizing Distractions
    - Managing Screen Time
  11. Cultivating a Reading Routine Manual For Atlas Copco Xas5
    - Setting Reading Goals Manual For Atlas Copco Xas5
    - Carving Out Dedicated Reading Time
  12. Sourcing Reliable Information of Manual For Atlas Copco Xas5
    - Fact-Checking eBook Content of Manual For Atlas Copco Xas5
    - Distinguishing Credible Sources
  13. Promoting Lifelong Learning
    - Utilizing eBooks for Skill Development

- Exploring Educational eBooks

#### 14. Embracing eBook Trends

- Integration of Multimedia Elements
- Interactive and Gamified eBooks

### **Manual For Atlas Copco Xas5 Introduction**

In today's digital age, the availability of Manual For Atlas Copco Xas5 books and manuals for download has revolutionized the way we access information. Gone are the days of physically flipping through pages and carrying heavy textbooks or manuals. With just a few clicks, we can now access a wealth of knowledge from the comfort of our own homes or on the go. This article will explore the advantages of Manual For Atlas Copco Xas5 books and manuals for download, along with some popular platforms that offer these resources. One of the significant advantages of Manual For Atlas Copco Xas5 books and manuals for download is the cost-saving aspect. Traditional books and manuals can be costly, especially if you need to purchase several of them for educational or professional purposes. By accessing Manual For Atlas Copco Xas5 versions, you eliminate the need to spend money on physical copies. This not only saves you money but also reduces the environmental impact associated with book production and transportation. Furthermore, Manual For Atlas Copco Xas5 books and manuals for download are incredibly convenient. With just a computer or smartphone and an internet connection, you can access a vast library of resources on any subject imaginable. Whether you're a student looking for textbooks, a professional seeking industry-specific manuals, or someone interested in self-improvement, these digital resources provide an efficient and accessible means of acquiring knowledge. Moreover, PDF books and manuals offer a range of benefits compared to other digital formats. PDF files are designed to retain their formatting regardless of the device used to open them. This ensures that the content appears exactly as intended by the author, with no loss of formatting or missing graphics. Additionally, PDF files can be easily annotated, bookmarked, and searched for specific terms, making them highly practical for studying or referencing. When it comes to accessing Manual For Atlas Copco Xas5 books and manuals, several platforms offer an extensive collection of resources. One such platform is Project Gutenberg, a nonprofit organization that provides over 60,000 free eBooks. These books are primarily in the public domain, meaning they can be freely distributed and downloaded. Project Gutenberg offers a wide range of classic literature, making it an excellent resource for literature enthusiasts. Another popular platform for Manual For Atlas Copco Xas5 books and manuals is Open Library. Open Library is an initiative of the Internet Archive, a non-profit organization dedicated to digitizing cultural artifacts and making them accessible to the public. Open Library hosts millions of books, including both public domain works and contemporary titles. It also allows users to borrow digital copies of certain books for a limited period, similar to a library lending system. Additionally, many universities

and educational institutions have their own digital libraries that provide free access to PDF books and manuals. These libraries often offer academic texts, research papers, and technical manuals, making them invaluable resources for students and researchers. Some notable examples include MIT OpenCourseWare, which offers free access to course materials from the Massachusetts Institute of Technology, and the Digital Public Library of America, which provides a vast collection of digitized books and historical documents. In conclusion, Manual For Atlas Copco Xas5 books and manuals for download have transformed the way we access information. They provide a cost-effective and convenient means of acquiring knowledge, offering the ability to access a vast library of resources at our fingertips. With platforms like Project Gutenberg, Open Library, and various digital libraries offered by educational institutions, we have access to an ever-expanding collection of books and manuals. Whether for educational, professional, or personal purposes, these digital resources serve as valuable tools for continuous learning and self-improvement. So why not take advantage of the vast world of Manual For Atlas Copco Xas5 books and manuals for download and embark on your journey of knowledge?

### **FAQs About Manual For Atlas Copco Xas5 Books**

1. Where can I buy Manual For Atlas Copco Xas5 books? Bookstores: Physical bookstores like Barnes & Noble, Waterstones, and independent local stores. Online Retailers: Amazon, Book Depository, and various online bookstores offer a wide range of books in physical and digital formats.
2. What are the different book formats available? Hardcover: Sturdy and durable, usually more expensive. Paperback: Cheaper, lighter, and more portable than hardcovers. E-books: Digital books available for e-readers like Kindle or software like Apple Books, Kindle, and Google Play Books.
3. How do I choose a Manual For Atlas Copco Xas5 book to read? Genres: Consider the genre you enjoy (fiction, non-fiction, mystery, sci-fi, etc.). Recommendations: Ask friends, join book clubs, or explore online reviews and recommendations. Author: If you like a particular author, you might enjoy more of their work.
4. How do I take care of Manual For Atlas Copco Xas5 books? Storage: Keep them away from direct sunlight and in a dry environment. Handling: Avoid folding pages, use bookmarks, and handle them with clean hands. Cleaning: Gently dust the covers and pages occasionally.
5. Can I borrow books without buying them? Public Libraries: Local libraries offer a wide range of books for borrowing. Book Swaps: Community book exchanges or online platforms where people exchange books.
6. How can I track my reading progress or manage my book collection? Book Tracking Apps: Goodreads, LibraryThing,

and Book Catalogue are popular apps for tracking your reading progress and managing book collections. Spreadsheets: You can create your own spreadsheet to track books read, ratings, and other details.

7. What are Manual For Atlas Copco Xas5 audiobooks, and where can I find them? Audiobooks: Audio recordings of books, perfect for listening while commuting or multitasking. Platforms: Audible, LibriVox, and Google Play Books offer a wide selection of audiobooks.
8. How do I support authors or the book industry? Buy Books: Purchase books from authors or independent bookstores. Reviews: Leave reviews on platforms like Goodreads or Amazon. Promotion: Share your favorite books on social media or recommend them to friends.
9. Are there book clubs or reading communities I can join? Local Clubs: Check for local book clubs in libraries or community centers. Online Communities: Platforms like Goodreads have virtual book clubs and discussion groups.
10. Can I read Manual For Atlas Copco Xas5 books for free? Public Domain Books: Many classic books are available for free as they're in the public domain. Free E-books: Some websites offer free e-books legally, like Project Gutenberg or Open Library.

## Find Manual For Atlas Copco Xas5 :

### **hammer and the horn**

[handbook of e business](#)

[handbook for technical communication](#)

*handbook of electronic safety procedures*

[hammond odyssey world atlas](#)

[handbook of engineering electromagnetics](#)

### **hamilton images of a city**

~~hamsters as a hobby~~

[handbook of homeopathy](#)

[hamilton ross modern cookbook](#)

### **handbook of child and adolescent psychiatric emergencies and crises**

[hand embroidered country scenes](#)

### **handbook for teaching african literature**

[handbook for electronic engineers technici](#)



handbook of acromegaly pb 2001

**Manual For Atlas Copco Xas5 :**

*charcutería the soul of spain kindle edition amazon co uk* - Mar 04 2022

web charcutería the soul of spain is a collection of delicious recipes uproarious anecdotes and time honored spanish culinary traditions the author has amassed years of experience working with the cured meat traditions of spain and this book will surely become a standard guide for both professional and home cooks

**charcuteria the soul of spain by jeffrey weiss booktopia** - Mar 16 2023

web 2015 james beard award nominee 2015 gourmand world cookbook award nominee an updated and redesigned edition of charcuteria the soul of spain the first and best book to introduce authentic spanish butchering and meat curing techniques to america

**charcutería the soul of spain by jeffrey weiss goodreads** - Jul 20 2023

web dec 10 2013 charcutería the soul of spain is the first book to introduce authentic spanish butchering and meat curing techniques to america

the soul of spain by sergio mora us edition hardcover - Jun 07 2022

web ships from and sold by experal sg publisher ingram ips isbn 13 9781572841529 condition brandnew binding hardcover pages 464 dimensons 260 x 210 x 36 1899 gram 2015 james beard award nominee2015 gourmand world cookbook award nomineecharcutería the soul of spain is the first book to introduce authentic spanish

charcutería the soul of spain hardcover barnes noble - May 18 2023

web aug 10 2021 an updated and redesigned edition of charcutería the soul of spain the first and best book to introduce authentic spanish butchering and meat curing techniques to america

**charcutería the soul of spain weiss jeffrey 9781572841529** - Jan 02 2022

web charcutería the soul of spain is the first book to introduce authentic spanish butchering and meat curing techniques to america included are more than 100 traditional spanish recipes straightforward illustrations providing easy to follow steps for amateur and professional butchers and gorgeous full color photography of savory dishes

**charcutería the soul of spain hardcover 8 may 2014** - Feb 03 2022

web may 8 2014 jeffrey weiss reveals all in charcutería the soul of spain with authentic recipes learned at the side of spain s finest practitioners of the charcutería art bruce aidells author of the great meat cookbook the pig is the heraldic beast of spanish gastronomy and the products it yields are perhaps spain s most vivid

charcuteria the soul of spain by jeffrey weiss booktopia - Jan 14 2023

web mar 25 2014 jeffrey weiss reveals all in charcuteria the soul of spain with authentic recipes learned at the side of spain s finest practitioners of the charcuteria art bruce aidells author of the great meat cookbook the pig is the heraldic beast of spanish gastronomy and the products it yields are perhaps spain s most vivid symbols of

[charcutería the soul of spain real food traveler](#) - Dec 13 2022

web aug 22 2014 charcutería the soul of spain anyone who has ever traveled in spain knows that charcuterie the preparation and cooking of pork products such as bacon ham sausage terrines galantines pâtés and confit is a huge part of the culture you can t walk into a bar or café without seeing smoky hams and sausages hanging from the

*charcutería the soul of spain amazon com* - Sep 22 2023

web mar 25 2014 only 18 left in stock more on the way 2015 james beard award nominee 2015 gourmand world cookbook award nominee charcutería the soul of spain is the first book to introduce authentic spanish butchering and meat curing techniques to america

[charcutería the soul of spain hardcover 23 sept 2021](#) - Apr 17 2023

web 2015 james beard award nominee 2015 gourmand world cookbook award nominee an updated and redesigned edition of charcutería the soul of spain the first and best book to introduce authentic spanish butchering and meat curing techniques to america

[charcutería the soul of spain kindle edition amazon com au](#) - Feb 15 2023

web jeffrey weiss reveals all in charcuteria the soul of spain with authentic recipes learned at the side of spain s finest practitioners of the charcuteria art

*charcutería the soul of spain eat your books* - Aug 09 2022

web 1 cured egg yolks yemas curadas from charcutería the soul of spain by jeffrey weiss categories egg dishes spice herb blends rubs cooking ahead spanish vegetarian ingredients maple sugar egg yolks kosher salt accompaniments esqueixada 1

**charcutería the soul of spain facebook** - Jul 08 2022

web charcutería the soul of spain 1 479 likes cookbook about traditional charcuterie butchery culinary history and recipes of spain author jef

**charcutería the soul of spain amazon com** - Oct 23 2023

web aug 10 2021 2015 james beard award nominee 2015 gourmand world cookbook award nominee an updated and redesigned edition of charcutería the soul of spain the first and best book to introduce authentic spanish butchering and

**charcuteria by jeffrey weiss new 9781572842991 wob** - Nov 12 2022

web aug 26 2021 jeffrey weiss reveals all in charcuteria the soul of spain with authentic recipes learned at the side of spain s finest practitioners of the charcuteria art bruce aidells author of the great meat cookbook the pig is the heraldic beast of

---

spanish gastronomy and the products it yields are perhaps spain s most vivid symbols of

**charcutería the soul of spain kindle edition amazon com** - Apr 05 2022

web mar 17 2014 charcutería the soul of spain is a collection of delicious recipes uproarious anecdotes and time honored spanish culinary traditions the author has amassed years of experience working with the cured meat traditions of spain and this book will surely become a standard guide for both professional and home cooks

charcutería the soul of spain amazon singapore - Aug 21 2023

web charcutería the soul of spain weiss jeffrey andrés josé mora sergio rawlinson nathan amazon sg books

*charcutería the soul of spain november 2023 cookhowto com* - May 06 2022

web charcutería the soul of spain 2015 james beard award nominee2015 gourmand world cookbook award

nomineecharcutería the soul of spain is the first book to introduce authentic spanish butchering and meat curing techniques to america

**charcutería the soul of spain amazon singapore** - Jun 19 2023

web charcutería the soul of spain weiss jeffrey andrés josé rawlinson nathan mora sergio amazon sg books

charcutería the soul of spain jeffrey weiss google books - Oct 11 2022

web mar 17 2014 charcutería the soul of spain jeffrey weiss agate publishing mar 17 2014 cooking 692

**charcuteria the soul of spain alibris** - Sep 10 2022

web buy charcuteria the soul of spain by jeffrey weiss jos andr s foreword by sergio mora illustrator online at alibris we have new and used copies available in 2 editions starting at 28 26

*the powerscore lsat logical reasoning bible barnes noble* - Aug 09 2022

web sep 1 2014 overview the powerscore lsat logical reasoning bibletm is the most comprehensive book available for the logic reasoning section of the lsat this book will provide you with an advanced system for attacking any logical reasoning question that you may encounter on the lsat

*the powerscore lsat logical reasoning bible workbook* - Mar 16 2023

web jan 25 2022 the powerscore lsat logical reasoning bible workbook is the ideal companion to and is intended for use after you have read the powerscore lsat logical reasoning bible this is a traditional workbook designed to reinforce the techniques and approaches that will enable you to master the logical reasoning section of the lsat

*the powerscore 2023 lsat logical reasoning bible workbook* - Dec 13 2022

web the lsat logical reasoning bible workbook is 304 pages long and begins with a full chapter of practice drills followed by an answer key explaining each item these drills are designed to reinforce and improve upon the specific skills and approaches necessary to successfully attack the logical reasoning section

---

**the powerscore lsat logical reasoning bible goodreads** - Mar 04 2022

web feb 6 2023 the powerscore lsat logical reasoning bible is the most comprehensive book available for the logic reasoning section of the lsat this book will provide you with an advanced system for attacking any logical reasoning question that you may encounter on

**the powerscore lsat logical reasoning bible apple books** - Jan 14 2023

web jan 1 2023 publisher description the powerscore lsat logical reasoning bible is the most comprehensive book available for the logic reasoning section of the lsat this book will provide you with an advanced system for attacking any logical reasoning question that you may encounter on the lsat

**lsat podcast e 87 powerscore logical reasoning bible course launch** - Sep 10 2022

web jun 22 2021 podcast episode 87 the powerscore lsat logical reasoning bible course launch episode 87 is a slight departure from the typical topics of lsat concepts test reviews and admissions advice as dave and jon turn their attention to the latest addition to the powerscore lineup the logical reasoning bible course

**the powerscore 2022 lsat logic games bible** - Apr 05 2022

web the powerscore lsat logic games bibletm is the most comprehensive book available for the logic games section of the lsat this book will provide you with an advanced system for attacking any game that you may encounter on the lsat

**the powerscore lsat logical reasoning bible a** - Apr 17 2023

web aug 1 2004 the powerscore lsat logical reasoning bible is the most comprehensive book available for the logic reasoning section of the lsat this book will provide you with an advanced system for attacking any logical reasoning question that you may encounter on

**lsat logical reasoning bible powerscore** - Oct 23 2023

web lsat logical reasoning bible lsat logical reasoning bible supplements lsat bible study plans current bible and flashcard corrections free assistance the advanced lsat logical reasoning course

**the powerscore lsat logical reasoning bible lsat prep** - May 18 2023

web feb 6 2023 the powerscore lsat logical reasoning bible lsat prep 2023rd edition

**the powerscore 2022 lsat bible trilogy** - Feb 15 2023

web the powerscore logical reasoning bible solve every type of logical reasoning question review detailed explanations for over 100 official lsat logical reasoning questions recognize question types identify common reasoning elements and determine their validity make inferences efficiently and accurately

**the powerscore lsat logical reasoning bible workbook** - Jun 07 2022

web jan 1 2023 the powerscore lsat logical reasoning bible workbook is the ideal companion to the powerscore lsat logical

reasoning bible while the i lsat logical reasoning bible i provides the conceptual basis for understanding logical argumentation recognizing the various question types

**lsat prep books powerscore** - Jun 19 2023

web the three powerscore lsat bibles the lsat logic games bible the lsat logical reasoning bible and the lsat reading comprehension bible each focuses on a distinct section of the lsat and the logic games bible workbook the logical reasoning bible workbook and the reading comprehension bible workbook allow

*lsat logical reasoning help area powerscore* - Jul 08 2022

web home lsat prep law school admissions lsat logical reasoning help area by sheer numbers the most important section on the test there are two scored sections of logical reasoning on each lsat each section is composed of 24 to 26 questions and you have exactly 35 minutes to complete each section

**the powerscore lsat logical reasoning bible course page powerscore** - Aug 21 2023

web the powerscorelsat logical reasoningbible course bible course fortify your logical reasoning skillset with on demand video lessons taught by our experts dave killoran and jon denning subscribe for 19 99 month

the powerscore 2023 lsat logical reasoning bible - Jul 20 2023

web the powerscore lsat logical reasoning bible tm is the most comprehensive book available for the logic reasoning section of the lsat this book will provide you with an advanced system for attacking any logical reasoning question that

*lsat logical reasoning powerscore* - Sep 22 2023

web that you pick up a copy of the renowned powerscore lsat logic games bible the logic games bible contains our system for attacking the analytical reasoning section of the lsat when combined with the logical reasoning bible you will have a formidable methodology for attacking the test the lsat logic games bible is available through

new course lsat logical reasoning bible course powerscore - Oct 11 2022

web june 22 2021 new course lsat logical reasoning bible course today we are thrilled to announce the launch of our new lsat logical reasoning bible course this is the first step in what will become a full fledged lsat bibles course encompassing all three of our best selling books

*the powerscore lsat logical reasoning bible lsat prep* - Nov 12 2022

web mar 21 2023 the powerscore lsat logical reasoning bible workbook lsat prep david m killoran 3 0 out of 5 stars 1 kindle edition 39 99 the powerscore lsat reading comprehension bible workbook lsat prep david m killoran 4 4 out of 5

*the powerscore lsat logical reasoning bible pdf* - May 06 2022

web the powerscore lsat logical reasoning bible is the most comprehensive book available for the logic reasoning section of the lsat this book will provide you with an advanced system for attacking any logical reasoning question that you may

encounter on the lsat the concepts presented in the logical reasoning bible are representative

**gesamtausgabe in 24 banden band 10 philosophie de book** - Jan 06 2023

web gesamtausgabe in 24 banden band 10 philosophie de gadamer and the question of the divine sep 11 2022 gadamer and the question of the divine uncovers a neglected side

*gesamtausgabe in 24 banden band 10 philosophie de copy* - Nov 04 2022

web gesamtausgabe in 24 banden band 10 philosophie de tyre recycling mar 11 2020 this is an expert overview on the topic of tyre recycling it summarises current practices

**gesamtausgabe in 24 banden band 10 philosophie de louis** - May 10 2023

web download this gesamtausgabe in 24 banden band 10 philosophie de after getting deal so afterward you require the ebook swiftly you can straight get it its consequently

**gesamtausgabe in 24 banden band 10 philosophie de pdf** - Dec 25 2021

web 24 banden band 10 philosophie de gesamtausgabe in 24 bänden gesamtausgabe in 24 bänden zusatz band zur geschichte der k k gesellschaft der musikkfreunde in wien

**gesamtausgabe in 24 bänden band 24** - Feb 07 2023

web neben dem bewährten wissenschaftlichen apparat bietet der band darüber hinaus die indices für die gesamtausgabe die den inhalt der 24 bände über ein alphabetisches

**downloadable free pdfs gesamtausgabe in 24 banden band** - Oct 03 2022

web gesamtausgabe in 24 banden band 10 philosophie de catalog of copyright entries sep 28 2021 the challenges of vatican ii for an authentic indian catholic church dec

gesamtausgabe in 24 banden band 10 philosophie de pdf - Sep 14 2023

web this gesamtausgabe in 24 banden band 10 philosophie de but end occurring in harmful downloads rather than enjoying a fine ebook afterward a cup of coffee in the

gesamtausgabe in 24 banden band 10 philosophie de 2022 - Jul 12 2023

web 24 banden band 10 philosophie de gesamtausgabe zusatz band zur geschichte der k k gesellschaft der musikkfreunde in wien gesamtausgabe in 24 banden band 10

*download gesamtausgabe in 24 bänden band 10* - Oct 15 2023

web download gesamtausgabe in 24 bänden band 10 philosophie der mode 1905 die religion 1906 1912 kant un georg simmel ebooks

gesamtausgabe in 24 banden band 10 philosophie de pdf - Apr 09 2023

web right here we have countless book gesamtausgabe in 24 banden band 10 philosophie de and collections to check out we

additionally allow variant types and after that type of

**gesamtausgabe in 24 banden band 10 philosophie de pdf** - Jan 26 2022

web gesamtausgabe in 24 banden band 10 philosophie de gesamtausgabe in 24 bänden the dark side of translation

gesamtausgabe in 24 bänden gesamtausgabe in 24

gesamtausgabe in 24 bänden band 10 - Aug 13 2023

web gesamtausgabe in 24 bänden band 10 philosophie der mode 1905 die religion 1906 1912 kant und goethe 1906 1916

gesamtausgabe in 24 banden band 10 philosophie de - Mar 28 2022

web gesamtausgabe in 24 banden band 10 philosophie de below centauren geburten tilman borsche 1994 01 01 georg

simmel georg simmel 2020 this book is a first of

gesamtausgabe in 24 banden band 10 philosophie de full pdf - Aug 01 2022

web gesamtausgabe in 24 banden band 10 philosophie de 19 märz 2020 ausgabe 13 das blog der leser blog zeit de

groschenhefte schundliteratur pulp fiction nickel

gesamtausgabe in 24 bänden band 2 - Nov 23 2021

web mar 4 1989 gesamtausgabe in 24 bänden band 2 georg simmel suhrkamp aufsätze 1887 bis 1890 Über soziale differenzierung 1890 die

**gesamtausgabe in 24 banden band 10 philosophie de pdf** - May 30 2022

web aug 21 2023 door to the broadcast as capably as insight of this gesamtausgabe in 24 banden band 10 philosophie de can be taken as capably as picked to act the

**gesamtausgabe in 24 banden band 10 philosophie de pdf copy** - Dec 05 2022

web gesamtausgabe in 24 banden band 10 philosophie de pdf as recognized adventure as with ease as experience nearly lesson amusement as capably as arrangement can be

gesamtausgabe in 24 banden band 10 philosophie de - Feb 24 2022

web may 4 2023 gesamtausgabe in 24 banden band 10 philosophie de 2 8 downloaded from uniport edu ng on may 4 2023 by guest de gruyter handbook of business families

philosophie des geldes gesamtausgabe in 24 bänden band 6 - Apr 28 2022

web philosophie des geldes gesamtausgabe in 24 bänden band 6 by simmel georg at abebooks co uk isbn 10 3518284061 isbn 13 9783518284063 suhrkamp verlag

**gesamtausgabe in 24 bänden band 24** - Jun 30 2022

web nov 7 2015 gesamtausgabe in 24 bänden band 24 gesamtausgabe in 24 bänden band 24

georg simmel ☐☐

*download free gesamtausgabe in 24 banden band 10* - Jun 11 2023

web gesamtausgabe in 24 banden band 10 philosophie de englischsprachige veröffentlichungen 1893 1910 apr 28 2022

literaturblatt aug 01 2022 publications of

*gesamtausgabe in 24 banden band 10 philosophie de klaus* - Mar 08 2023

web may 4 2023 4724485 gesamtausgabe in 24 banden band 10 philosophie de 1 5 downloaded from id blockchain idea gov vn on by guest gesamtausgabe in 24 banden

**download gesamtausgabe in 24 bänden band 10** - Sep 02 2022

web kant un ebook kostenlos lesen gesamtausgabe in 24 bänden band 10 philosophie der mode 1905 die religion 1906 1912

kant un altmühl bote online lesen