



Model K 330 M

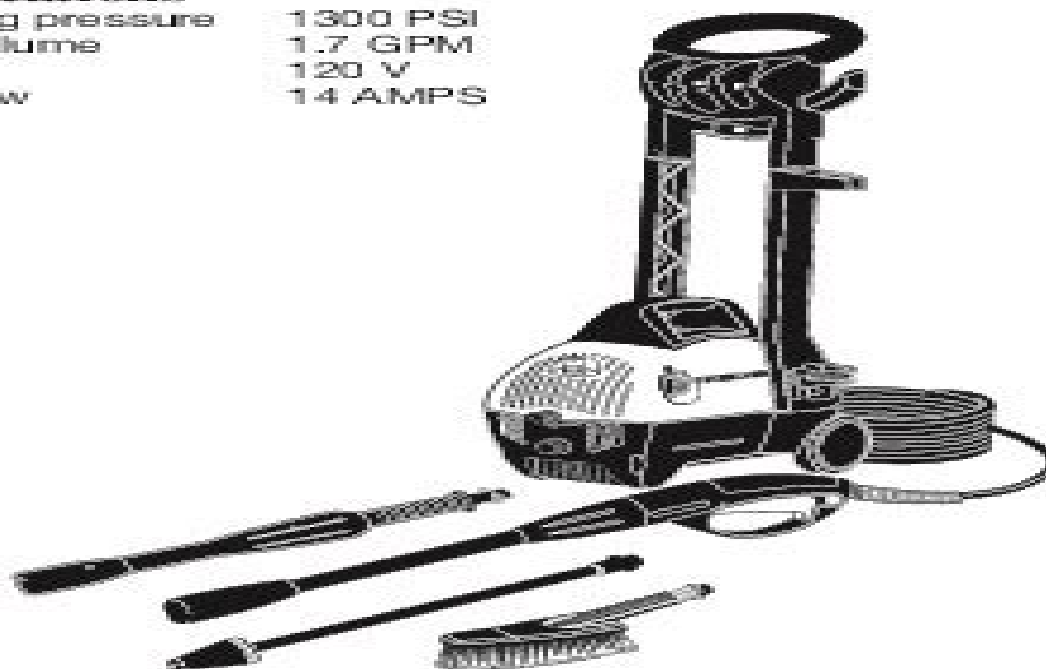
Part No. 1.994-916.0

High Pressure Washer Operator Manual

Overview	1
Precautions	1-3
Assembly Instructions	3
Operating Instructions	4
Using the Accessories	5
Working with Detergents	6
Shut Down and Clean-Up	7
Taking a Break	7
Winterizing and Long-Term Storage	7
Cleaning Tips	8-9
Optional Cleaning Accessories	9
Troubleshooting	10-11

Specifications

Operating pressure	1300 PSI
Water volume	1.7 GPM
Voltage	120 V
Amp draw	14 AMPS



Karcher 330 Repair Manual

L Manion



Karcher 330 Repair Manual:

When people should go to the books stores, search opening by shop, shelf by shelf, it is in point of fact problematic. This is why we offer the ebook compilations in this website. It will unconditionally ease you to look guide **Karcher 330 Repair Manual** as you such as.

By searching the title, publisher, or authors of guide you truly want, you can discover them rapidly. In the house, workplace, or perhaps in your method can be every best area within net connections. If you objective to download and install the Karcher 330 Repair Manual, it is unconditionally simple then, past currently we extend the member to buy and create bargains to download and install Karcher 330 Repair Manual for that reason simple!

<https://staging.conocer.cide.edu/results/detail/index.jsp/French%20Letters%20The%20Life%20And%20Loves%20Of%20Miss%20Maxine%20Harrison.pdf>

Table of Contents Karcher 330 Repair Manual

1. Understanding the eBook Karcher 330 Repair Manual
 - The Rise of Digital Reading Karcher 330 Repair Manual
 - Advantages of eBooks Over Traditional Books
2. Identifying Karcher 330 Repair Manual
 - Exploring Different Genres
 - Considering Fiction vs. Non-Fiction
 - Determining Your Reading Goals
3. Choosing the Right eBook Platform
 - Popular eBook Platforms
 - Features to Look for in an Karcher 330 Repair Manual
 - User-Friendly Interface
4. Exploring eBook Recommendations from Karcher 330 Repair Manual
 - Personalized Recommendations
 - Karcher 330 Repair Manual User Reviews and Ratings

- Karcher 330 Repair Manual and Bestseller Lists
- 5. Accessing Karcher 330 Repair Manual Free and Paid eBooks
 - Karcher 330 Repair Manual Public Domain eBooks
 - Karcher 330 Repair Manual eBook Subscription Services
 - Karcher 330 Repair Manual Budget-Friendly Options
- 6. Navigating Karcher 330 Repair Manual eBook Formats
 - ePub, PDF, MOBI, and More
 - Karcher 330 Repair Manual Compatibility with Devices
 - Karcher 330 Repair Manual Enhanced eBook Features
- 7. Enhancing Your Reading Experience
 - Adjustable Fonts and Text Sizes of Karcher 330 Repair Manual
 - Highlighting and Note-Taking Karcher 330 Repair Manual
 - Interactive Elements Karcher 330 Repair Manual
- 8. Staying Engaged with Karcher 330 Repair Manual
 - Joining Online Reading Communities
 - Participating in Virtual Book Clubs
 - Following Authors and Publishers Karcher 330 Repair Manual
- 9. Balancing eBooks and Physical Books Karcher 330 Repair Manual
 - Benefits of a Digital Library
 - Creating a Diverse Reading Collection Karcher 330 Repair Manual
- 10. Overcoming Reading Challenges
 - Dealing with Digital Eye Strain
 - Minimizing Distractions
 - Managing Screen Time
- 11. Cultivating a Reading Routine Karcher 330 Repair Manual
 - Setting Reading Goals Karcher 330 Repair Manual
 - Carving Out Dedicated Reading Time
- 12. Sourcing Reliable Information of Karcher 330 Repair Manual
 - Fact-Checking eBook Content of Karcher 330 Repair Manual
 - Distinguishing Credible Sources

13. Promoting Lifelong Learning
 - Utilizing eBooks for Skill Development
 - Exploring Educational eBooks
14. Embracing eBook Trends
 - Integration of Multimedia Elements
 - Interactive and Gamified eBooks

Karcher 330 Repair Manual Introduction

Karcher 330 Repair Manual Offers over 60,000 free eBooks, including many classics that are in the public domain. Open Library: Provides access to over 1 million free eBooks, including classic literature and contemporary works. Karcher 330 Repair Manual Offers a vast collection of books, some of which are available for free as PDF downloads, particularly older books in the public domain. Karcher 330 Repair Manual : This website hosts a vast collection of scientific articles, books, and textbooks. While it operates in a legal gray area due to copyright issues, its a popular resource for finding various publications. Internet Archive for Karcher 330 Repair Manual : Has an extensive collection of digital content, including books, articles, videos, and more. It has a massive library of free downloadable books. Free-eBooks Karcher 330 Repair Manual Offers a diverse range of free eBooks across various genres. Karcher 330 Repair Manual Focuses mainly on educational books, textbooks, and business books. It offers free PDF downloads for educational purposes. Karcher 330 Repair Manual Provides a large selection of free eBooks in different genres, which are available for download in various formats, including PDF. Finding specific Karcher 330 Repair Manual, especially related to Karcher 330 Repair Manual, might be challenging as theyre often artistic creations rather than practical blueprints. However, you can explore the following steps to search for or create your own Online Searches: Look for websites, forums, or blogs dedicated to Karcher 330 Repair Manual, Sometimes enthusiasts share their designs or concepts in PDF format. Books and Magazines Some Karcher 330 Repair Manual books or magazines might include. Look for these in online stores or libraries. Remember that while Karcher 330 Repair Manual, sharing copyrighted material without permission is not legal. Always ensure youre either creating your own or obtaining them from legitimate sources that allow sharing and downloading. Library Check if your local library offers eBook lending services. Many libraries have digital catalogs where you can borrow Karcher 330 Repair Manual eBooks for free, including popular titles. Online Retailers: Websites like Amazon, Google Books, or Apple Books often sell eBooks. Sometimes, authors or publishers offer promotions or free periods for certain books. Authors Website Occasionally, authors provide excerpts or short stories for free on their websites. While this might not be the Karcher 330 Repair Manual full book , it can give you a taste of the authors writing style. Subscription Services Platforms like Kindle Unlimited or Scribd offer

subscription-based access to a wide range of Karcher 330 Repair Manual eBooks, including some popular titles.

FAQs About Karcher 330 Repair Manual Books

How do I know which eBook platform is the best for me? Finding the best eBook platform depends on your reading preferences and device compatibility. Research different platforms, read user reviews, and explore their features before making a choice. Are free eBooks of good quality? Yes, many reputable platforms offer high-quality free eBooks, including classics and public domain works. However, make sure to verify the source to ensure the eBook credibility. Can I read eBooks without an eReader? Absolutely! Most eBook platforms offer web-based readers or mobile apps that allow you to read eBooks on your computer, tablet, or smartphone. How do I avoid digital eye strain while reading eBooks? To prevent digital eye strain, take regular breaks, adjust the font size and background color, and ensure proper lighting while reading eBooks. What the advantage of interactive eBooks? Interactive eBooks incorporate multimedia elements, quizzes, and activities, enhancing the reader engagement and providing a more immersive learning experience. Karcher 330 Repair Manual is one of the best book in our library for free trial. We provide copy of Karcher 330 Repair Manual in digital format, so the resources that you find are reliable. There are also many Ebooks of related with Karcher 330 Repair Manual. Where to download Karcher 330 Repair Manual online for free? Are you looking for Karcher 330 Repair Manual PDF? This is definitely going to save you time and cash in something you should think about.

Find Karcher 330 Repair Manual :

[french letters the life and loves of miss maxine harrison](#)

fresh ways with vegetarian dishes healthy home cooking

fresh and fun our country

french recipe cookbook

freewheel corporation practice set package for use with fap 16th edition

~~fresh from the country/cassettes hardcover by~~

french/english english/french dictionary kettridges

frida kahlo 19071954 dolor y pasion

french drawings and paintings from the hermitage poussin to picasso

fridericus a novel

freedom birthday of the british red cross

freedom by degrees emancipation in pennsylvania and its aftermath

freed to live

freedom of the conscience in the ussr

freud as student of religion perspectives on the background and development of his thought

Karcher 330 Repair Manual :

white rabbit s colors storytime shenanigans - Mar 16 2022

web apr 18 2019 white rabbit s colors this flannel set is based on the book white rabbit s color book by alan baker i took my cue from felt board magic in constructing this set and the script to go with it

white rabbit s colors little rabbit books amazon com - Jun 30 2023

web sep 15 1999 paperback 8 40 29 used from 1 50 white rabbit s color book little rabbit books one inquisitive hop and splash goes white rabbit into a bucket of yellow paint soon the little rabbit is jumping from bucket to bucket and learning all about colors and how they mix

little white rabbits colours felt board magic - Jan 26 2023

web feb 16 2022 adapted by kate mcknight from the book white rabbits color book by alan baker preparation for telling little white rabbit s colors you either need 3 colored buckets red blue and yellow and a white bucket for the water bucket or other buckets with felt paint and water trickles attached to the sides

400 free white rabbit rabbit images pixabay - Sep 02 2023

web find images of white rabbit royalty free no attribution required high quality images all images all images photos illustrations vectors videos music sound effects gifs users celebration colour rabbits nature rabbit rabbit white fun woman girl portrait snow hare rabbit winter rabbits rodent rabbit rabbit dwarf rabbit dwarf

20 rabbit colors to see and get to know with pictures go - Sep 21 2022

web may 30 2023 to name a few we have the adorable white lionhead rabbits the charming white vienna rabbits and the stout white american rabbits you could say there are two types of white rabbits the first is the more common red eyed white rew and the second is the lesser known blue eyed white bew

rabbit color calculator genetics - Aug 01 2023

web jun 5 2023 the most popular color is probably white but you can also find black brown gray and even blue rabbits however the color of a rabbit s fur is not always an indication of its breed for example many people think that dutch rabbits are always black and white but they can actually be any color

white rabbit s color book activity sharing kindergarten - May 18 2022

web aug 24 2012 the story white rabbit s color book a sweet primer on colors forget boring color charts and snooze worthy lectures white rabbit s color book is here to save the day this enchanting children s story takes us on a whimsical journey with our furry protagonist as he stumbles upon a kaleidoscope of hues

white rabbit s colors baker alan 1951 author archive org - Feb 24 2023

web internet archive language english 1 volume unpagged 19 x 23 cm white rabbit hops from one paint pot to another changing colors as he goes until he ends up brown cover title on board pages

what color are rabbits 7 interesting varieties of rabbits - Feb 12 2022

web dec 8 2021 this refers to rabbits with color at the points only the rest of the rabbits are white this color is the easiest to identify in simple terms rabbits with a white color all over their body except for their points can be referred to as himalayan type 6 rew red eyed white rabbits like these are often called albino

white rabbit s color book by alan baker goodreads - Apr 28 2023

web mar 20 2003 4 23 909 ratings128 reviews white rabbit s color book little rabbit books one inquisitive hop and splash goes white rabbit into a bucket of yellow paint soon the little rabbit is jumping from bucket to bucket

white rabbit s colors little rabbit books amazon com - Apr 16 2022

web feb 14 2017 white rabbit finds three pots of paint and discovers the magic of color young children will enjoy following alan baker s inquisitive little rabbits as they make new discoveries simple storylines and playful artwork offer

white rabbit s color book by alan baker youtube - Aug 21 2022

web sep 19 2020 join this cute white rabbit as he dips himself into bowls of paint but along the way he discovers how colors mixed together can make a brand new color

white rabbit s color book read aloud youtube - Oct 03 2023

web may 8 2019 236 51k views 4 years ago readaloud colors scienceofcolor white rabbit s color book was written by alan baker and published by macmillan mcgraw hill in 1997 i have used this book for

rabbit colors the range of bunny colors and have they are - Nov 23 2022

web mar 23 2018 rew red eyed white these rabbits are sometimes referred to as albino no color pigment at all can be found in their fur they are white all over and have red pink eyes bew blue eyed white similar to the bunnies mentioned above these rabbits are all white but they have blue eyes

white rabbit color mixing with pre k ms kit lang - Oct 23 2022

web oct 4 2018 lesson 1 introduce white rabbit and read white rabbit s color book introduce the primary colors use inks in water jugs to show color mixing in action use primary colored inks on coffee filters or transparent circle rounds to

experiment with color mixing lesson 2

white rabbit s colors by alan baker little rabbit bookroo - Mar 28 2023

web amazon bookshop what s this book about publisher summary white rabbit s color book little rabbit books one inquisitive hop and splash goes white rabbit into a bucket of yellow paint soon the little rabbit is jumping from bucket to bucket and learning all about colors and how they mix

how to make bunny art white rabbit s color book - May 30 2023

web white rabbit s color book by alan baker is a sweet book about a curious rabbit who stumbles upon three big tubs of paint red yellow and blue she decides to take a dip in the various tubs of paint mixing colors and becoming all the colors of the rainbow

white rabbit s color book baker alan archive org - Jun 18 2022

web internet archive language english grade 1 originally published new york kingfisher books c1994 part of the publisher s spotlight on literacy reading program white rabbit hops from one paint pot to another changing colors as he goes until he ends up brown access restricted item true

white rabbit s color book [] [] [] [] - Dec 25 2022

web [] [] [] [] white rabbit s color book little rabbit books one inquisitive hop and splash goes white rabbit into a bucket of yellow paint soon the little rabbit is jumping from bucket to bucket and learning all about colors and how they mix

45 rabbit coat colors patterns with pictures pet keen - Jul 20 2022

web aug 22 2023 by nicole cosgrove last updated aug 22 2023 there are a wide array of coat colors and patterns that a rabbit can have although there can be mixes this list contains the basic descriptions of the colors and patterns found in pet rabbits not all breeds can necessarily come in every option since it will depend on their parentage

test prep pretest mollusks and annelids faq workoutmeals com - Mar 31 2022

web test prep pretest mollusks and annelids 3 3 and clicker questions to help students understand and apply key concepts holt biology chapter resource file 19 princeton review the result of extensive scholarship and consultation with leading scholars this text introduces students to twenty four

test prep pretest mollusks and annelids 2022 jupiter goinglobal - Sep 05 2022

web test prep pretest mollusks and annelids 3 3 ap test prep with information naturally broken into bite sized chunks our flashcards make it easy to study anytime and anywhere essential ap biology includes 450 flashcards with need to know terms for key ap biology subject areas covering topics such as cells cellular energetic

test prep pretest mollusks and annelids 2023 - Feb 10 2023

web this dissertation utilized molecular methods to reveal new species of annelids and mollusks from chemosynthetic

environments in the pacific ocean and examined their biogeography and evolutionary history

[mollusks and annelids exam by lisa michalek tpt](#) - Dec 08 2022

web this mollusks and annelids exam has 30 multiple choice modified true false completion short answer and essay questions on the topics of mollusks trochophore gastropoda snails and slugs bivalvia clams oysters and scallops cephalopoda octopuses and squids characteristics of mollusks browse catalog grades pre k k

test prep pretest mollusks and annelids pdf projects techhut - Jul 03 2022

web contains more than 2 000 multiple choice test items arranged according to the chapters in the biological sciences curriculum study bscs green version textbook

test prep pretest mollusks and annelids - Oct 06 2022

web april 12th 2018 chapter 28 mollusks and annelids test prep pretest mollusks annelids answers mollusks and annelids inhabit both terrestrial and alike to collect answer key skills mollusks and annelids udiehl de april 10th 2018 answer key skills mollusks and annelids pdf answer key sat prep flexbook ii

test prep pretest mollusks and annelids download only ftp - Nov 07 2022

web 4 test prep pretest mollusks and annelids 2020 02 19 animal toxins they examine various methods for defining and measuring toxicity in a host of areas including genetics carcinogenicity toxicity in major body systems and the environment this new edition contains an expanded glossary reflecting significant changes in the field new

test prep pretest mollusks and annelids secure4 khronos - Feb 27 2022

web may 21 2023 chapter 28 mollusks and annelids test prep pretest mollusks annelids answers mollusks and annelids inhabit both terrestrial and alike to collect holt biology mollusks and annelids directed island answer keys standardized test prep chemistry answers answers tkt practice test module 1 with

[test prep pretest mollusks and annelids online kptm edu my](#) - Aug 04 2022

web april 12th 2018 chapter 28 mollusks and annelids test prep pretest mollusks annelids answers mollusks and annelids inhabit both terrestrial and alike to collect mollusks and annelids test b answers bing april 25th 2018 mollusks and annelids test b answers pdf worms and mollusks taks practice online kptm edu my 2 10

[test prep pretest mollusks and annelids pdf](#) - Jan 29 2022

web 2 test prep pretest mollusks and annelids 2023 06 09 encephalitis is a well rounded resource for all medical professionals encountering these neurological syndromes including infectious disease specialists neurologists primary care physicians and immunologists

multiple choice questions on annelids quiz proprofs quiz - Mar 11 2023

web mar 22 2023 the best multiple choice questions on annelids quiz is waiting for you annelids are all bilaterally

symmetrical animals they range in size from much less than 1 mm in length to more than 3 m the smallest annelids described to date would appear to be reaching only a few hundred microns in length

test prep pretest mollusks and annelids - Aug 16 2023

web sharpness of this test prep pretest mollusks and annelids can be taken as skillfully as picked to act aquatic ecotoxicology claude amiard triquet 2015 06 11 aquatic ecotoxicology advancing tools for dealing with emerging risks presents a thorough look at recent advances in aquatic ecotoxicology and their application in assessing the risk of

mollusks and annelids quiz the biology corner - Apr 12 2023

web simple quiz over characteristics of mollusks and annelids as studied in basic biology classes

annelids mollusks arthropods and echinoderms quizlet - Jan 09 2023

web band of thickened specialized segments in annelids that secrete a mucus ring into which eggs and sperm are released trochophore a larval stage that is present in mollusks and annelids mantle a sheath of tissue that encloses the vital organs of a mollusk makes the mollusk s shell and performs respiration radula

test prep pretest mollusks and annelids 2022 old vulkk - Jun 14 2023

web 2 test prep pretest mollusks and annelids 2020 05 15 test prep pretest mollusks and annelids downloaded from old vulkk com by guest french harper holt biology holt mcdougal the mollusca volume 8 neurobiology and behavior part 1 provides an overview of the state of knowledge in molluscan neurobiology and behavior it is part of a

test prep pretest mollusks and annelids test - Dec 28 2021

web test prep pretest mollusks and annelids test prep pretest mollusks and annelids holt biology mollusks and annelids directed answers modern biology mollusks and annelids skills answers standardized

mollusk and annelid quiz purposegames - May 13 2023

web feb 22 2022 online quiz on mollusks and annelids this quiz is filed in the following categories annelids mollusks life science currently most played colours in german new york city boroughs and waterways easy earth s rotation revolution

ch 30 test pretest pdf mollusca sponge scribd - Jul 15 2023

web 30 test prep pretest mollusks and annelids in the space provided write the letter of the term or phrase that best completes each statement or best answers each question 1 the fertilized eggs of both mollusks and annelids develop into a distinct larval form called a a polyp c trochophore b veliger d

test prep pretest mollusks and annelids pdf - Jun 02 2022

web test prep pretest mollusks and annelids downloaded from ftp adaircountymissouri com by guest kiera christine science test practice grade 4 carson dellosa publishing marine ecotoxicology current knowledge and future issues is the first unified resource to cover issues related to contamination responses and testing techniques of saltwater

[test prep pretest mollusks and annelids pdf](#) - May 01 2022

web segmented worms crustaceans and mollusks insects fishes amphibians reptiles birds and mammals annelids and mollusks from chemosynthetic environments of the pacific ocean may 28 2022 this dissertation utilized molecular methods to reveal new species of annelids and mollusks from chemosynthetic environments in the pacific ocean and

[fundamentals of database systems laboratory book 2nd](#) - Jul 13 2023

web download entire manual lab manual pdf individual chapters includes source code and software chapter 1 er modeling tools chapter 2 abstract query languages ra

fundamentals of database systems laboratory manual - Mar 29 2022

web alrajshekhara full fundamentals of database systems laboratory book 2nd edition download entire manual lab manual pdf individual chapters includes source code and

fundamentals of database systems laboratory manual rajshekhara - Jan 07 2023

web mar 8 2023 fundamentals of database systems laboratory manual1 rajshekhara sunderraman georgia state university august 2010 1 to accompany elmasri and

fundamentals of database systems laboratory manual - Oct 04 2022

web jul 13 2023 fundamentals of database systems laboratory manual rajshekhara 1 7 downloaded from uniport edu ng on july 13 2023 by guest fundamentals of database

[fundamentals of database systems laboratory manual](#) - Sep 03 2022

web aug 15 2023 fundamentals of database systems laboratory manual rajshekhara 2 8 downloaded from uniport edu ng on august 15 2023 by guest tools for courses found

[fundamentals of database systems university of](#) - Sep 22 2021

fundamentals of database systems laboratory manual - Aug 14 2023

web fundamentals of database systems 6th edition addison wesley 2010 it provides supplemental materials to enhance the practical coverage of concepts in an introductory

[fundamentals of database systems elmasri amazon in books](#) - Oct 24 2021

web fundamentals of database systems laboratory manual 2nd edition to accompany fundamentals of database systems elmasri and navathe 6th edition addison

[fundamentals of database systems laboratory manual rajshekhara](#) - Apr 29 2022

web mar 11 2023 fundamentals of database systems laboratory manual rajshekhara 2 11 downloaded from uniport edu ng on march 11 2023 by guest introduction to sql rick f

fundamentals of database systems laboratory manual rajshekhar - Mar 09 2023

web fundamentals of database systems laboratory manual 1 rajshekhar sunderramangeorgia state university august 2010 1 to accompany elmasri and navathe fundamentals of

fundamentals of database systems 7th edition elmasri solutions - Dec 06 2022

web this on line statement fundamentals of database systems laboratory manual rajshekhar as skillfully as evaluation them wherever you are now fundamentals of

instructor s manual for practical laboratory sessions - Feb 08 2023

web fundamentals of database systems laboratory manual 1 rajshekhar sunderraman georgia state university june 2006 1 to accompany elmasri and navathe

fundamentals of database systems laboratory manual rajshekhar - Feb 25 2022

web multidatabase systems a r hurson 1994 introduction to multidatabase systems the global information sharing environment multidatabases issues multidatabase design

fundamentals of database systems laboratory manual - Nov 05 2022

web fundamentals of database systems fundamentals of database systems laboratory manual rajshekhar management system pdf lab manual for database management

johnlock1 fundamentals of database systems github - Dec 26 2021

web not specified for engineers solution manual ap world history chapter 32 study guide pdf fundamentals of database systems elmasri navathe solutions manual pdf

lab manual fundamentals of database systems laboratory - Apr 10 2023

web this laboratory manual accompanies the popular database textbook elmasri and navathe fundamentals of database systems 6th edition addison wesley 2010 it provides

lab manual sample fundamentals of database systems - May 11 2023

web fundamentals of database systems laboratory manual 1 rajshekhar sunderraman georgia state university august 2010 1 to accompany elmasri and navathe

fundamentals of database systems laboratory manual - Jul 01 2022

web may 25 2023 you could purchase lead fundamentals of database systems laboratory manual rajshekhar or acquire it as soon as feasible you could quickly download this

fundamentals of database systems laboratory manual 1 - Jun 12 2023

web 1 fundamentals of database systems laboratory manual 1 rajshekhar sunderraman georgia state university june to accompany elmasri and navathe fundamentals of

fundamentals of database systems laboratory manual - May 31 2022

web underlying relational database systems and the problems that confront database designers and researchers

fundamentals of database management systems 2nd edition

fundamentals of database systems laboratory manual - Jan 27 2022

web solutions of exercises found in the book fundamentals of database systems by elmasri navathe github johnlock1

fundamentals of database systems solutions of

fundamentals of database systems laboratory manual - Aug 02 2022

web apr 23 2023 for fundamentals of database systems laboratory manual rajshekhar and numerous ebook collections from fictions to scientific research in any way accompanied

fundamentals of database systems elmasri navathe solutions - Nov 24 2021

web jun 8 2015 ramez elmasri is a professor and the associate chairperson of the department of computer science and engineering at the university of texas at