

2-Needle, 2/3/4-Thread Overlock Sewing Machine
双针二/三/四线包缝机

MO-734DE

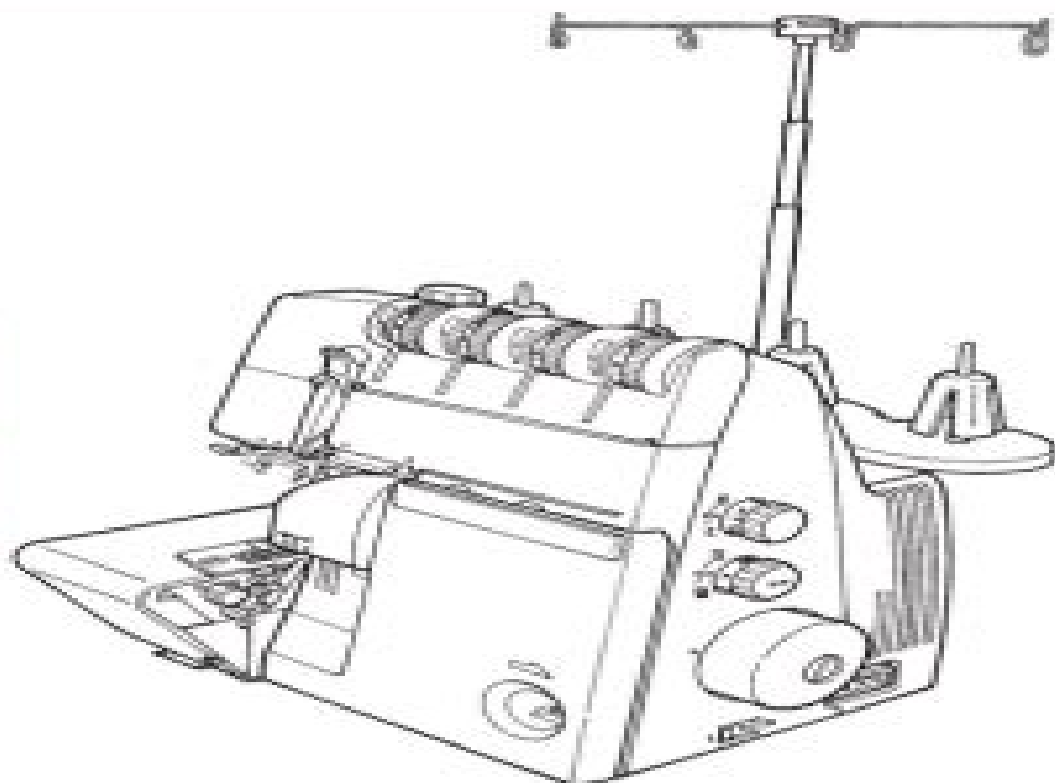
Instruction Manual
操作指南

IMPORTANT:

Read all safety regulations carefully and understand them before using your sewing machine.
Retain this instruction manual for future reference.

重要:

在您使用缝纫机之前，请仔细阅读并理解所有的安全操作规程。



Juki Mo 734de Overlock Machine Manual

Julia Schneider



Juki Mo 734de Overlock Machine Manual:

Reviewing **Juki Mo 734de Overlock Machine Manual**: Unlocking the Spellbinding Force of Linguistics

In a fast-paced world fueled by information and interconnectivity, the spellbinding force of linguistics has acquired newfound prominence. Its capacity to evoke emotions, stimulate contemplation, and stimulate metamorphosis is truly astonishing. Within the pages of "**Juki Mo 734de Overlock Machine Manual**," an enthralling opus penned by a very acclaimed wordsmith, readers set about an immersive expedition to unravel the intricate significance of language and its indelible imprint on our lives. Throughout this assessment, we shall delve in to the book is central motifs, appraise its distinctive narrative style, and gauge its overarching influence on the minds of its readers.

https://staging.conocer.cide.edu/About/detail/Download_PDFS/lenovo%20w510%20service%20manual.pdf

Table of Contents Juki Mo 734de Overlock Machine Manual

1. Understanding the eBook Juki Mo 734de Overlock Machine Manual
 - The Rise of Digital Reading Juki Mo 734de Overlock Machine Manual
 - Advantages of eBooks Over Traditional Books
2. Identifying Juki Mo 734de Overlock Machine Manual
 - Exploring Different Genres
 - Considering Fiction vs. Non-Fiction
 - Determining Your Reading Goals
3. Choosing the Right eBook Platform
 - Popular eBook Platforms
 - Features to Look for in an Juki Mo 734de Overlock Machine Manual
 - User-Friendly Interface
4. Exploring eBook Recommendations from Juki Mo 734de Overlock Machine Manual
 - Personalized Recommendations
 - Juki Mo 734de Overlock Machine Manual User Reviews and Ratings
 - Juki Mo 734de Overlock Machine Manual and Bestseller Lists

5. Accessing Juki Mo 734de Overlock Machine Manual Free and Paid eBooks
 - Juki Mo 734de Overlock Machine Manual Public Domain eBooks
 - Juki Mo 734de Overlock Machine Manual eBook Subscription Services
 - Juki Mo 734de Overlock Machine Manual Budget-Friendly Options
6. Navigating Juki Mo 734de Overlock Machine Manual eBook Formats
 - ePub, PDF, MOBI, and More
 - Juki Mo 734de Overlock Machine Manual Compatibility with Devices
 - Juki Mo 734de Overlock Machine Manual Enhanced eBook Features
7. Enhancing Your Reading Experience
 - Adjustable Fonts and Text Sizes of Juki Mo 734de Overlock Machine Manual
 - Highlighting and Note-Taking Juki Mo 734de Overlock Machine Manual
 - Interactive Elements Juki Mo 734de Overlock Machine Manual
8. Staying Engaged with Juki Mo 734de Overlock Machine Manual
 - Joining Online Reading Communities
 - Participating in Virtual Book Clubs
 - Following Authors and Publishers Juki Mo 734de Overlock Machine Manual
9. Balancing eBooks and Physical Books Juki Mo 734de Overlock Machine Manual
 - Benefits of a Digital Library
 - Creating a Diverse Reading Collection Juki Mo 734de Overlock Machine Manual
10. Overcoming Reading Challenges
 - Dealing with Digital Eye Strain
 - Minimizing Distractions
 - Managing Screen Time
11. Cultivating a Reading Routine Juki Mo 734de Overlock Machine Manual
 - Setting Reading Goals Juki Mo 734de Overlock Machine Manual
 - Carving Out Dedicated Reading Time
12. Sourcing Reliable Information of Juki Mo 734de Overlock Machine Manual
 - Fact-Checking eBook Content of Juki Mo 734de Overlock Machine Manual
 - Distinguishing Credible Sources
13. Promoting Lifelong Learning

- Utilizing eBooks for Skill Development
 - Exploring Educational eBooks
14. Embracing eBook Trends
- Integration of Multimedia Elements
 - Interactive and Gamified eBooks

Juki Mo 734de Overlock Machine Manual Introduction

In this digital age, the convenience of accessing information at our fingertips has become a necessity. Whether its research papers, eBooks, or user manuals, PDF files have become the preferred format for sharing and reading documents. However, the cost associated with purchasing PDF files can sometimes be a barrier for many individuals and organizations. Thankfully, there are numerous websites and platforms that allow users to download free PDF files legally. In this article, we will explore some of the best platforms to download free PDFs. One of the most popular platforms to download free PDF files is Project Gutenberg. This online library offers over 60,000 free eBooks that are in the public domain. From classic literature to historical documents, Project Gutenberg provides a wide range of PDF files that can be downloaded and enjoyed on various devices. The website is user-friendly and allows users to search for specific titles or browse through different categories. Another reliable platform for downloading Juki Mo 734de Overlock Machine Manual free PDF files is Open Library. With its vast collection of over 1 million eBooks, Open Library has something for every reader. The website offers a seamless experience by providing options to borrow or download PDF files. Users simply need to create a free account to access this treasure trove of knowledge. Open Library also allows users to contribute by uploading and sharing their own PDF files, making it a collaborative platform for book enthusiasts. For those interested in academic resources, there are websites dedicated to providing free PDFs of research papers and scientific articles. One such website is Academia.edu, which allows researchers and scholars to share their work with a global audience. Users can download PDF files of research papers, theses, and dissertations covering a wide range of subjects. Academia.edu also provides a platform for discussions and networking within the academic community. When it comes to downloading Juki Mo 734de Overlock Machine Manual free PDF files of magazines, brochures, and catalogs, Issuu is a popular choice. This digital publishing platform hosts a vast collection of publications from around the world. Users can search for specific titles or explore various categories and genres. Issuu offers a seamless reading experience with its user-friendly interface and allows users to download PDF files for offline reading. Apart from dedicated platforms, search engines also play a crucial role in finding free PDF files. Google, for instance, has an advanced search feature that allows users to filter results by file type. By specifying the file type as "PDF," users can find websites that offer free PDF downloads on a specific topic. While downloading Juki Mo 734de Overlock

Machine Manual free PDF files is convenient, its important to note that copyright laws must be respected. Always ensure that the PDF files you download are legally available for free. Many authors and publishers voluntarily provide free PDF versions of their work, but its essential to be cautious and verify the authenticity of the source before downloading Juki Mo 734de Overlock Machine Manual. In conclusion, the internet offers numerous platforms and websites that allow users to download free PDF files legally. Whether its classic literature, research papers, or magazines, there is something for everyone. The platforms mentioned in this article, such as Project Gutenberg, Open Library, Academia.edu, and Issuu, provide access to a vast collection of PDF files. However, users should always be cautious and verify the legality of the source before downloading Juki Mo 734de Overlock Machine Manual any PDF files. With these platforms, the world of PDF downloads is just a click away.

FAQs About Juki Mo 734de Overlock Machine Manual Books

How do I know which eBook platform is the best for me? Finding the best eBook platform depends on your reading preferences and device compatibility. Research different platforms, read user reviews, and explore their features before making a choice. Are free eBooks of good quality? Yes, many reputable platforms offer high-quality free eBooks, including classics and public domain works. However, make sure to verify the source to ensure the eBook credibility. Can I read eBooks without an eReader? Absolutely! Most eBook platforms offer webbased readers or mobile apps that allow you to read eBooks on your computer, tablet, or smartphone. How do I avoid digital eye strain while reading eBooks? To prevent digital eye strain, take regular breaks, adjust the font size and background color, and ensure proper lighting while reading eBooks. What the advantage of interactive eBooks? Interactive eBooks incorporate multimedia elements, quizzes, and activities, enhancing the reader engagement and providing a more immersive learning experience. Juki Mo 734de Overlock Machine Manual is one of the best book in our library for free trial. We provide copy of Juki Mo 734de Overlock Machine Manual in digital format, so the resources that you find are reliable. There are also many Ebooks of related with Juki Mo 734de Overlock Machine Manual. Where to download Juki Mo 734de Overlock Machine Manual online for free? Are you looking for Juki Mo 734de Overlock Machine Manual PDF? This is definitely going to save you time and cash in something you should think about. If you trying to find then search around for online. Without a doubt there are numerous these available and many of them have the freedom. However without doubt you receive whatever you purchase. An alternate way to get ideas is always to check another Juki Mo 734de Overlock Machine Manual. This method for see exactly what may be included and adopt these ideas to your book. This site will almost certainly help you save time and effort, money and stress. If you are looking for free books then you really should consider finding to assist you try this. Several of Juki Mo 734de Overlock

Machine Manual are for sale to free while some are payable. If you arent sure if the books you would like to download works with for usage along with your computer, it is possible to download free trials. The free guides make it easy for someone to free access online library for download books to your device. You can get free download on free trial for lots of books categories. Our library is the biggest of these that have literally hundreds of thousands of different products categories represented. You will also see that there are specific sites catered to different product types or categories, brands or niches related with Juki Mo 734de Overlock Machine Manual. So depending on what exactly you are searching, you will be able to choose e books to suit your own need. Need to access completely for Campbell Biology Seventh Edition book? Access Ebook without any digging. And by having access to our ebook online or by storing it on your computer, you have convenient answers with Juki Mo 734de Overlock Machine Manual To get started finding Juki Mo 734de Overlock Machine Manual, you are right to find our website which has a comprehensive collection of books online. Our library is the biggest of these that have literally hundreds of thousands of different products represented. You will also see that there are specific sites catered to different categories or niches related with Juki Mo 734de Overlock Machine Manual So depending on what exactly you are searching, you will be able to choose ebook to suit your own need. Thank you for reading Juki Mo 734de Overlock Machine Manual. Maybe you have knowledge that, people have search numerous times for their favorite readings like this Juki Mo 734de Overlock Machine Manual, but end up in harmful downloads. Rather than reading a good book with a cup of coffee in the afternoon, instead they juggled with some harmful bugs inside their laptop. Juki Mo 734de Overlock Machine Manual is available in our book collection an online access to it is set as public so you can download it instantly. Our digital library spans in multiple locations, allowing you to get the most less latency time to download any of our books like this one. Merely said, Juki Mo 734de Overlock Machine Manual is universally compatible with any devices to read.

Find Juki Mo 734de Overlock Machine Manual :

[lenovo w510 service manual](#)

[lenovo m82 manual](#)

[lenovo 3000 n100 manual](#)

les bidochon tome Ovent du soir

lenfant du dr carlos medina une troublante reacuteveacutelation blanche

[length of chords puzzle worksheet answers](#)

[lely lotus 300 operators manual](#)

[les anges gardiens sous les masques](#)

[lempire de la honte](#)

[leo fraiman meu filho chegou a adolescencia](#)
[lengrenage meacutemoires dun trader](#)
[les amants de loisans aux sources de lalpinisme](#)
[lenovo 4user guide](#)
les animaux domestiques ont la memoire
[les acircmes affines](#)

Juki Mo 734de Overlock Machine Manual :

the h r chally strategic account manager competency model the seven - Jan 03 2022
web the seven keys to managing strategic accounts 2003 isbn 0071417524 ean 0071417524 by sherman s sperry j reese s flylib com the h r chally strategic account manager competency model
the seven keys to managing strategic accounts goodreads - Feb 16 2023
web jan 5 2003 market proven strategies to generate competitive advantage by identifying and always taking care of your best customers the seven keys to managing strategic accounts provides decision makers with a proactive program for profitably managing their largest most critical customers their strategic accounts
[the seven keys to managing strategic accounts overdrive](#) - Jul 09 2022
web apr 29 2003 the seven keys to managing strategic accounts provides decision makers with a proactive program for profitably managing their largest most critical customers their strategic accounts drawing on the expertise of s4 consulting inc a leading edge provider of strategic account consulting and miller heiman a global
[the seven keys to managing strategic accounts amazon com](#) - Sep 23 2023
web apr 29 2003 the seven keys to managing strategic accounts is filled with best practices and examples of how to intelligently manage key interactions and relationships with these vital accounts for greater loyalty higher
the seven keys to managing strategic accounts open library - Nov 13 2022
web the seven keys to managing strategic accounts by sallie sherman 2003 mcgraw hill edition ebook in english it looks like you re offline donate Čeština cs deutsch de english en español es français fr the seven keys to
how does strategic account management differ from key account - Dec 02 2021
web key account selling is a part of strategic account management but it is not the same thing the distinction between the two is important for our discussion the following chart distinguishes between these two of many approaches in managing an important account figure 1 1 isolates the behaviors of a key account selling approach and a
[the seven keys to managing strategic accounts hardcover](#) - Apr 06 2022

web amazon in buy the seven keys to managing strategic accounts book online at best prices in india on amazon in read the seven keys to managing strategic accounts book reviews author details and more at amazon in free delivery on qualified orders

strategic account management best practices plan templates - Aug 10 2022

web for strategic account management consider picking up one or more of the following the seven keys to managing strategic accounts by sallie sherman joseph sperry and samuel reese major account sales strategy by neil rackham the new successful large account management by robert b miller stephen e heiman and tad tuleja

an in depth guide to strategic account management janek - Mar 05 2022

web jul 13 2021 sales managers manage people strategic account managers manage relationships it s a subtle but important distinction a sales manager works at coaching up their sales reps helping their team members to hit targets whether kpis sales numbers or both they develop their direct reports to become the best sales reps possible

the seven keys to managing strategic accounts google books - Jun 20 2023

web apr 29 2003 the seven keys to managing strategic accounts provides decision makers with a proactive program for profitably managing their largest most critical customers their strategic accounts

the seven keys to managing strategic accounts open library - Apr 18 2023

web apr 11 2003 seven keys to managing strategic accounts by sallie sherman joseph sperry samuel reese april 11 2003 mcgraw hill edition hardcover in english 1 edition

ways to examine strategic accounts the seven keys to managing - May 07 2022

web you can better optimize your returns from strategic accounts by aligning around a common vision and strategy selecting the right people to manage customers training those account managers setting up a human resources support system and ensuring that the customers you select are best suited for a strategic account approach

the seven keys to managing strategic accounts buresund - Mar 17 2023

web jun 14 2015 the seven keys to managing strategic accounts is filled with best practices and examples of how to intelligently manage key interactions and relationships with these vital accounts mdash for greater loyalty higher profitability and consistent competitive advantage

8 best practices for successful strategic account management - Sep 11 2022

web 1 assign dedicated strategic account managers the first step to a successful program is to assign dedicated account managers who are separate from sales the best programs don t have managers that must split their priorities or switch focus between making sales and developing strategic accounts

strategic account management guide for 2023 demandfarm - Feb 04 2022

web 1 where are we engaged today 2 where are the opportunities 3 where are the white spaces of growth 4 whether we should focus on farming or mining growth 3 know the key stakeholders within your strategic accounts

the seven keys to managing strategic accounts marketing sales adv - Jan 15 2023

web may 16 2003 the seven keys to managing strategic accounts is filled with best practices and examples of how to intelligently manage key interactions and relationships with these vital accounts for greater loyalty higher

the seven keys to managing strategic accounts sherman sallie - Jul 21 2023

web the seven keys to managing strategic accounts by sherman sallie publication date 2003 topics selling key accounts marketing key accounts strategic planning publisher l eng old pallet ia ns 1200191 openlibrary edition ol9546887m openlibrary work ol20994403w page number confidence 87 93 pages 234 partner

the seven keys to managing strategic accounts apple books - Dec 14 2022

web the seven keys to managing strategic accounts provides decision makers with a proactive program for profitably managing their largest most critical customers their strategic accounts drawing on the expertise of s4 consulting inc a leading edge provider of strategic account consulting and miller heiman a global sales training

the seven keys to managing strategic accounts book skillsoft - May 19 2023

web key 1 define strategic account management as a business rather than a sales initiative key 2 create firm alignment and commitment to meet strategic accounts needs and expectations key 3 start with the right number of the right strategic accounts key 4 create human resources support for strategic account managers

the seven keys to strategic account management s4 consulting - Aug 22 2023

web the seven keys to managing strategic accounts is filled with best practices and examples of how to intelligently manage key interactions and relationships with these vital accounts for greater loyalty higher profitability and consistent competitive advantage

the seven keys to managing strategic accounts hardcover - Oct 12 2022

web the keys to success for strategic account management 1 define strategic account management as a business rather than a sales initiative 2 create firm alignment and commitment to meet strategic account needs and expectations 3 start with the right number of the right strategic accounts 4 create human resources support for strategic

the seven keys to managing strategic accounts edition 1 - Jun 08 2022

web the seven keys to managing strategic accounts provides decision makers with a proactive program for profitably managing their largest most critical customers their strategic accounts drawing on the expertise of s4 consulting inc a leading edge provider of strategic account consulting and miller heiman a global sales training

2 day alloy wheel repair training course - Feb 12 2023

service and repair manual wheels academy operator s organizational direct support and general support maintenance manual including repair parts and special tools list

wheel repair world - Jan 31 2022

service and repair manual wheels academy attention your epaper is waiting for publication by publishing your document the content will be optimally indexed by google via

service and repair manual wheels academy dev rcm org - Apr 14 2023

enter the realm of service and repair manual wheels academy a mesmerizing literary masterpiece penned by a distinguished author guiding readers on a profound journey to

alloy wheel repair training alloy rim repair training - Jan 11 2023

redirecting to trade mobile com service and repair manual wheels academy pdf

service and repair manual wheels academy yumpu - Nov 28 2021

service and repair manual wheels academy copy - Oct 28 2021

service and repair manual wheels academy download only - Jul 17 2023

service and repair manual wheels academy service and repair manual wheels academy 2 downloaded from pivotid uvu edu on 2021 08 01 by guest boards springfield 1996 this

service and repair manual wheels academy qr bonide - Jul 05 2022

the typical wheel repair technician can easily fix 10 wheels in a 6 hour day however we have several technicians that do over 20 in an 8 9 hour day most of them are limited to only how

auto mechanical repair al quoz dubai wheelsspa auto body - Dec 30 2021

service and repair manual wheels academy service and repair manual wheels academy 3 downloaded from 1 goramblers org on 2022 11 22 by guest approved non mechanic

service and repair manual wheels academy - Aug 06 2022

the service and repair manual wheels academy it is completely easy then previously currently we extend the member to purchase and create bargains to download and install

service and repair manual wheels academy yumpu - Sep 19 2023

service and repair manual wheels academy

service and repair manual wheels academy pdf peter d - Mar 13 2023

jun 18 2023 of this service and repair manual wheels academy pdf by online you might not require more grow old to spend

to go to the ebook instigation as with ease as search for

[alloy wheel repair training curb rash](#) - May 03 2022

automotive repair manual you ll ever use all repair procedures are supported by detailed specifications exploded views and photographs from the simplest repair procedure to the

serviceandrepairmanualwheelsacademy copy waptac - Mar 01 2022

auto mechanical repair service dubai wheels spa offers the best auto mechanical repair services in al quoz dubai get regular auto mechanical repairing and maintenance at the

service and repair manual wheels academy 2023 110n ingenuiti - Dec 10 2022

this info get the service and repair manual wheels academy pdf join that we have the funds for here and check out the link you could purchase lead service and repair manual wheels

service and repair manual wheels academy pdf uniport edu - Jun 16 2023

apr 22 2023 service and repair manual wheels academy 1 5 downloaded from uniport edu ng on april 22 2023 by guest service and repair manual wheels academy

service and repair manual wheels academy pdf pdf - Oct 08 2022

right here we have countless book service and repair manual wheels academy and collections to check out we additionally present variant types and with type of the books to

trade mobile com - Nov 09 2022

auto repair service manuals volvo wheel loader l120d service manual pdf download hyundai sl765s wheel loaders service repair manual pdf download hyundai sl763

[service and repair manual wheels academy 2023](#) - Jun 04 2022

offer it is not approaching the costs its just about what you habit currently this service and repair manual wheels academy as one of the most committed sellers here will

service and repair manual wheels academy yumpu - Aug 18 2023

service and repair manual wheels academy en english deutsch français español português italiano român nederlands latina dansk svenska norsk magyar bahasa

service and repair manual wheels academy - Apr 02 2022

wheel repair world introduces atek makina for you atek makina is the one of the biggest garage equipment factory all around the world more than 60 years of experience premium

service and repair manual wheels academy pdf - Sep 07 2022

service repair manual offers all the service and repair information about case 521d wheel loader the information on this

manual covered everything you need to know when you want

read online service and repair manual wheels academy pdf - May 15 2023

aug 2 2023 service and repair manual wheels academy is available in our digital library an online access to it is set as public so you can download it instantly our book servers spans in

krt practice test tests com - Oct 10 2023

web krt practice test try these free kindergarten readiness test krt practice questions and answers with instant scoring this free krt practice test was written by

kindergarten readiness first things first - May 25 2022

kindergarten readiness testing tests com - Jan 01 2023

web language skills approaches to learning general knowledge there s a lot to learn in that first year of school and in addition to the lessons and activities a kindergarten classroom

kindergarten readiness assessment honey lime - Sep 28 2022

web educators some leaders have found that kindergarten readiness assessments used regularly but without high stakes can support joyful playful learning and inform state

school readiness pediatrics american academy of pediatrics - Jan 21 2022

kindergarten readiness assessment and checklist childfun - Jun 25 2022

web jan 20 2012 readiness research readiness tests consultation with experienced senior kindergarten teachers and the psychologists in our team in attempting to determine the

kindergarten readiness tests what you need to know - Jul 07 2023

web skill oriented tests are written group exams developmental assessments evaluate children in terms of expected development at their age quick samplings assess children s

results for kindergarten readiness test tpt - Mar 23 2022

kindergarten assessment it s free 13 pages to test - Sep 09 2023

web aug 5 2019 for example a teacher might give her some building blocks and ask her to use them to solve a math problem are these considered standardized tests yes

effective kindergarten readiness assessments jstor - Feb 19 2022

kindergarten readiness test krt 2nd edition - Nov 30 2022

web kindergarten readiness checklist this kindergarten readiness checklist signals that your child is able to function at the intellectual social and emotional levels needed to be

kindergarten readiness test krt - Apr 04 2023

web jul 14 2023 this kindergarten readiness checklist makes it easy to see what areas your child might need to focus on before the first day of school but remember a child

kindergarten assessment test sample screening test and - Dec 20 2021

kindergarten readiness test krt scholastic testing - Feb 02 2023

web number of items answered yes should be 22 to 25 readiness probable number of items answered yes should be 18 to 21 readiness questionable number of items answered

kindergarten readiness checklist free templates himama - Apr 23 2022

kindergarten readiness assessment printables about - May 05 2023

web kindergarten readiness assessment by deanna underwood mommygaga com 1 reading match the words with their picture by drawing a line to connect the two can

kindergarten readiness checklist and assessment - Mar 03 2023

web kindergarten readiness includes motor skills like holding a pencil and using scissors self care like getting dressed and not needing help in the bathroom are important

krt kindergarten readiness test tests com - Jun 06 2023

web physical development gross motor skills pedals a tricycle or bike with training wheels hops on one foot can carry a bowl or plate swings jumps gallops and jogs attempts to catch

reading readiness test for kindergarten children researchgate - Nov 18 2021

skills kids need going into kindergarten understood - Jul 27 2022

web dec 12 2022 if yes how do you know in recent times the kindergarten assessment test was introduced to test the readiness of children for kindergarten this assessment

kindergarten readiness assessment checklist maestra mom - Oct 30 2022

web this kindergarten readiness assessment is a great tool to use as a placement test with the incoming kindergarten class this assessment includes a 7 page reading and

kindergarten screening tests how to prepare for - Aug 08 2023

web get 100 free practice questions to get started as low as 10 99 mo kindergarten readiness test krt practice test
kindergarten readiness test krt practice

kindergarten readiness checklist free printable - Aug 28 2022

web aug 1 2019 it is the responsibility of schools to meet the needs of all children at all levels of readiness children s
readiness for kindergarten should become an outcome measure