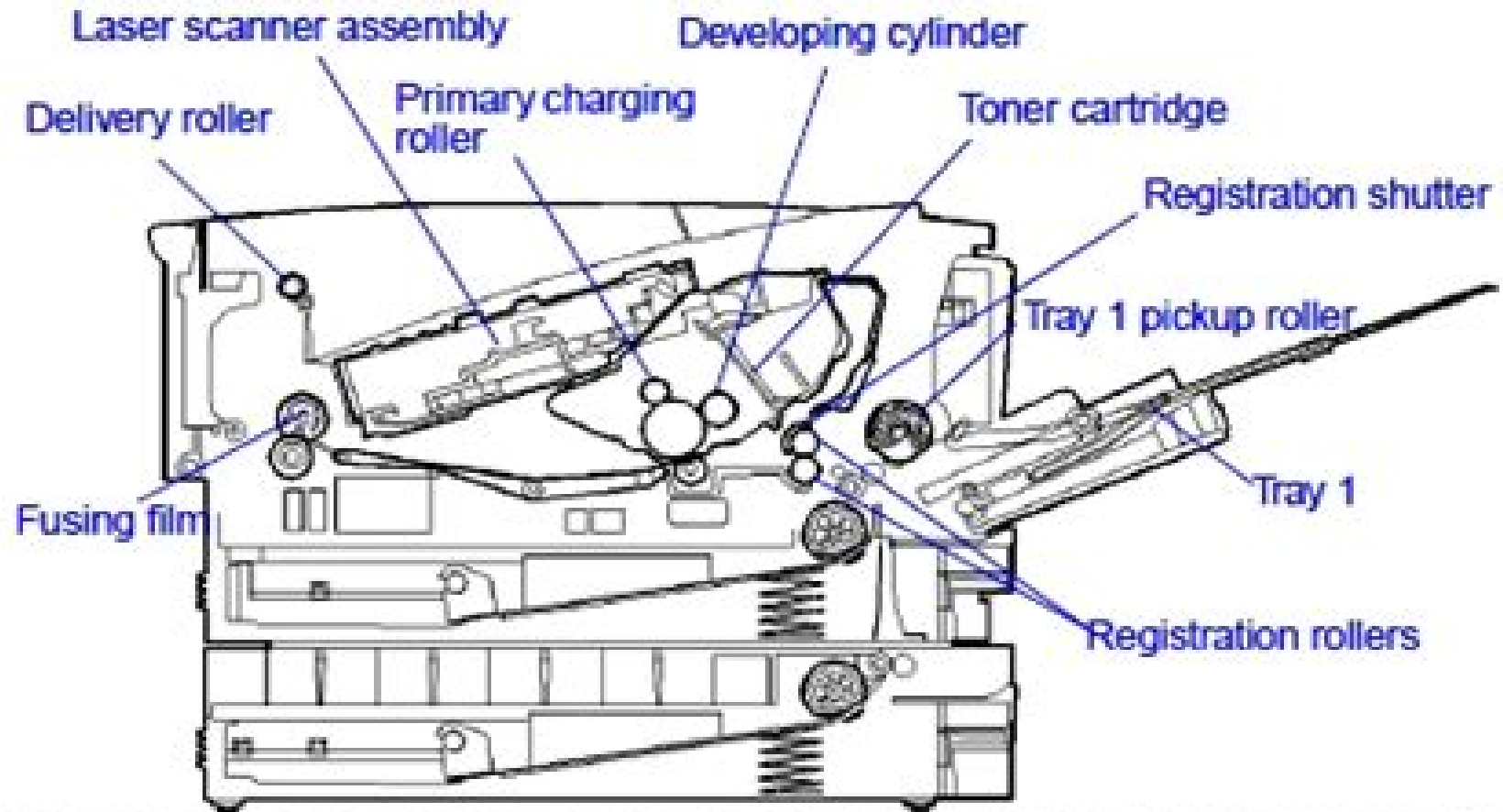


Internal Assembly Locations

Figure 1-6 Internal Assembly Locations (1 of 2)



Preview: HP LaserJet 2100 service manual

[Download Now!](#)

Hp Laserjet 2100 Manual

G Orfield



Hp Laserjet 2100 Manual:

HP LaserJet 2100, 2100M, 2100TN printers, 1998 *Windows Magazine*, 1999 **Word 2007 In Simple Steps** Kogent Solutions Inc, 2008-02 WORD 2007 IN SIMPLE STEPS is a book that helps you to learn WORD 2007 the latest offering from Microsoft Being precise and complete it offers the reader a cutting edge in the field of Microsoft Office With an easy to understand style lots of examples to support the concepts and use of practical approach in presentation are some of the features that make the book not only unique but also provides a sort of limited edition look to the book **'a' Level Computing (5th Edition)** Pat Heathcote, Sylvia Langfield, 2004-08-15 This standard textbook has been comprehensively revised by experienced teacher and examiner Sylvia Langfield Arranged in five modules corresponding to the AQA specification there are exercises and past exam questions at the end of each chapter **Pass ECDL4** F. R. Heathcote, 2004 This major textbook covers all the modules for ECDL Version 4 Written in a straightforward easy to follow style and including sample test questions this title should be a useful resource for all students studying for the ECDL European Computer Driving Licence qualification **Windows 2000** Martin S. Matthews, 2000 Written by a highly acclaimed author and Windows expert this guide features diagrams flow charts dialog box sequences tables screen shots and icons throughout Blueprint diagrams of Windows 2000 demonstrate how its specific features interrelate providing the beginner a complete visual overview **Daily Graphic** Yaw Boadu-Ayebofoh, 2006-10-24 **Exam 70-643 Windows Server 2008 Applications Infrastructure Configuration** Microsoft Official Academic Course, 2008-07-08 Exam 70 643 Windows Server 2008 Applications Platform Configuration The newest iteration of the Microsoft Official Academic Course MOAC program for network administration courses using Windows Server 2008 and mapping to the Microsoft Certified Technology Specialist MCTS 70 643 certification exam The MOAC IT Professional series is the Official from Microsoft turn key Workforce training program that leads to professional certification and was authored for college instructors and college students MOAC gets instructors ready to teach and students ready for work by delivering essential resources in 5 key areas Instructor readiness student software student assessment instruction resources and learning validation With the Microsoft Official Academic course program you are getting instructional support from Microsoft materials that are accurate and make course delivery easy Request your sample materials today *Computer Buyer's Guide and Handbook*, 2000 *Networking with Windows 2000* Patrick E. Regan, 2001 For courses in Networking This easy to understand text provides students with the fundamental concepts of networking starting from basic hardware components that affect server performance and reliability to building a simple LAN by connecting the PCs with wiring and topology The text introduces Windows 2000 and focuses on today's basic features of a network server including DNS and DHCP services directory services disk and file management and print management

Reviewing **Hp Laserjet 2100 Manual**: Unlocking the Spellbinding Force of Linguistics

In a fast-paced world fueled by information and interconnectivity, the spellbinding force of linguistics has acquired newfound prominence. Its capacity to evoke emotions, stimulate contemplation, and stimulate metamorphosis is truly astonishing. Within the pages of "**Hp Laserjet 2100 Manual**," an enthralling opus penned by a highly acclaimed wordsmith, readers embark on an immersive expedition to unravel the intricate significance of language and its indelible imprint on our lives. Throughout this assessment, we shall delve to the book is central motifs, appraise its distinctive narrative style, and gauge its overarching influence on the minds of its readers.

https://staging.conocer.cide.edu/data/virtual-library/default.aspx/idyll_banter_weekly_excursions_to_a_very_small_town.pdf

Table of Contents Hp Laserjet 2100 Manual

1. Understanding the eBook Hp Laserjet 2100 Manual
 - The Rise of Digital Reading Hp Laserjet 2100 Manual
 - Advantages of eBooks Over Traditional Books
2. Identifying Hp Laserjet 2100 Manual
 - Exploring Different Genres
 - Considering Fiction vs. Non-Fiction
 - Determining Your Reading Goals
3. Choosing the Right eBook Platform
 - Popular eBook Platforms
 - Features to Look for in an Hp Laserjet 2100 Manual
 - User-Friendly Interface
4. Exploring eBook Recommendations from Hp Laserjet 2100 Manual
 - Personalized Recommendations
 - Hp Laserjet 2100 Manual User Reviews and Ratings
 - Hp Laserjet 2100 Manual and Bestseller Lists

5. Accessing Hp Laserjet 2100 Manual Free and Paid eBooks
 - Hp Laserjet 2100 Manual Public Domain eBooks
 - Hp Laserjet 2100 Manual eBook Subscription Services
 - Hp Laserjet 2100 Manual Budget-Friendly Options
6. Navigating Hp Laserjet 2100 Manual eBook Formats
 - ePub, PDF, MOBI, and More
 - Hp Laserjet 2100 Manual Compatibility with Devices
 - Hp Laserjet 2100 Manual Enhanced eBook Features
7. Enhancing Your Reading Experience
 - Adjustable Fonts and Text Sizes of Hp Laserjet 2100 Manual
 - Highlighting and Note-Taking Hp Laserjet 2100 Manual
 - Interactive Elements Hp Laserjet 2100 Manual
8. Staying Engaged with Hp Laserjet 2100 Manual
 - Joining Online Reading Communities
 - Participating in Virtual Book Clubs
 - Following Authors and Publishers Hp Laserjet 2100 Manual
9. Balancing eBooks and Physical Books Hp Laserjet 2100 Manual
 - Benefits of a Digital Library
 - Creating a Diverse Reading Collection Hp Laserjet 2100 Manual
10. Overcoming Reading Challenges
 - Dealing with Digital Eye Strain
 - Minimizing Distractions
 - Managing Screen Time
11. Cultivating a Reading Routine Hp Laserjet 2100 Manual
 - Setting Reading Goals Hp Laserjet 2100 Manual
 - Carving Out Dedicated Reading Time
12. Sourcing Reliable Information of Hp Laserjet 2100 Manual
 - Fact-Checking eBook Content of Hp Laserjet 2100 Manual
 - Distinguishing Credible Sources
13. Promoting Lifelong Learning

- Utilizing eBooks for Skill Development
 - Exploring Educational eBooks
14. Embracing eBook Trends
- Integration of Multimedia Elements
 - Interactive and Gamified eBooks

Hp Laserjet 2100 Manual Introduction

Free PDF Books and Manuals for Download: Unlocking Knowledge at Your Fingertips In today's fast-paced digital age, obtaining valuable knowledge has become easier than ever. Thanks to the internet, a vast array of books and manuals are now available for free download in PDF format. Whether you are a student, professional, or simply an avid reader, this treasure trove of downloadable resources offers a wealth of information, conveniently accessible anytime, anywhere. The advent of online libraries and platforms dedicated to sharing knowledge has revolutionized the way we consume information. No longer confined to physical libraries or bookstores, readers can now access an extensive collection of digital books and manuals with just a few clicks. These resources, available in PDF, Microsoft Word, and PowerPoint formats, cater to a wide range of interests, including literature, technology, science, history, and much more. One notable platform where you can explore and download free Hp Laserjet 2100 Manual PDF books and manuals is the internet's largest free library. Hosted online, this catalog compiles a vast assortment of documents, making it a veritable goldmine of knowledge. With its easy-to-use website interface and customizable PDF generator, this platform offers a user-friendly experience, allowing individuals to effortlessly navigate and access the information they seek. The availability of free PDF books and manuals on this platform demonstrates its commitment to democratizing education and empowering individuals with the tools needed to succeed in their chosen fields. It allows anyone, regardless of their background or financial limitations, to expand their horizons and gain insights from experts in various disciplines. One of the most significant advantages of downloading PDF books and manuals lies in their portability. Unlike physical copies, digital books can be stored and carried on a single device, such as a tablet or smartphone, saving valuable space and weight. This convenience makes it possible for readers to have their entire library at their fingertips, whether they are commuting, traveling, or simply enjoying a lazy afternoon at home. Additionally, digital files are easily searchable, enabling readers to locate specific information within seconds. With a few keystrokes, users can search for keywords, topics, or phrases, making research and finding relevant information a breeze. This efficiency saves time and effort, streamlining the learning process and allowing individuals to focus on extracting the information they need. Furthermore, the availability of free PDF books and manuals fosters a culture of continuous learning. By removing financial barriers, more people can access educational resources and pursue lifelong learning, contributing to personal

growth and professional development. This democratization of knowledge promotes intellectual curiosity and empowers individuals to become lifelong learners, promoting progress and innovation in various fields. It is worth noting that while accessing free Hp Laserjet 2100 Manual PDF books and manuals is convenient and cost-effective, it is vital to respect copyright laws and intellectual property rights. Platforms offering free downloads often operate within legal boundaries, ensuring that the materials they provide are either in the public domain or authorized for distribution. By adhering to copyright laws, users can enjoy the benefits of free access to knowledge while supporting the authors and publishers who make these resources available. In conclusion, the availability of Hp Laserjet 2100 Manual free PDF books and manuals for download has revolutionized the way we access and consume knowledge. With just a few clicks, individuals can explore a vast collection of resources across different disciplines, all free of charge. This accessibility empowers individuals to become lifelong learners, contributing to personal growth, professional development, and the advancement of society as a whole. So why not unlock a world of knowledge today? Start exploring the vast sea of free PDF books and manuals waiting to be discovered right at your fingertips.

FAQs About Hp Laserjet 2100 Manual Books

How do I know which eBook platform is the best for me? Finding the best eBook platform depends on your reading preferences and device compatibility. Research different platforms, read user reviews, and explore their features before making a choice. Are free eBooks of good quality? Yes, many reputable platforms offer high-quality free eBooks, including classics and public domain works. However, make sure to verify the source to ensure the eBook credibility. Can I read eBooks without an eReader? Absolutely! Most eBook platforms offer web-based readers or mobile apps that allow you to read eBooks on your computer, tablet, or smartphone. How do I avoid digital eye strain while reading eBooks? To prevent digital eye strain, take regular breaks, adjust the font size and background color, and ensure proper lighting while reading eBooks. What the advantage of interactive eBooks? Interactive eBooks incorporate multimedia elements, quizzes, and activities, enhancing the reader engagement and providing a more immersive learning experience. Hp Laserjet 2100 Manual is one of the best book in our library for free trial. We provide copy of Hp Laserjet 2100 Manual in digital format, so the resources that you find are reliable. There are also many Ebooks of related with Hp Laserjet 2100 Manual. Where to download Hp Laserjet 2100 Manual online for free? Are you looking for Hp Laserjet 2100 Manual PDF? This is definitely going to save you time and cash in something you should think about.

Find Hp Laserjet 2100 Manual :

idyll banter weekly excursions to a very small town

ilien domain sourcebook

ideology & experience antisemitism in fr

il barbiere di siviglia barber of seville vocal scorecloth it/eng critical edition

if our paths cross the most horrific fiction ever on the nigerian civil war

identity matrix

ikebana fruits and vegetable

ikat patterns

if 6 were 9 a militant mystery

il capitan fracassa

identity and essence

idiot 2vol

if your name was changed at ellis island

illinois english bulletin fall 1982

~~ieee standard methodology for reliability prediction and assessment for electronic systems and equipment~~

Hp Laserjet 2100 Manual :

Workbook Answer Key - French Learn@Home Workbook Answer Keys. Please complete the workbook on your own FIRST. Then use the following answer keys to self correct your work. **Remember you will learn ... Workbook Answer Key - Learn@home French 10 Workbook Answer Keys Please complete the workbook on your own FIRST. Then use the following answer keys to self correct your work. Bon voyage french 2 workbook pdf Bon voyage french 2 workbook answers. Image not available forColor: To view this video download Flash Player If you forgot your workbook, please use the ... French Textbook Solutions & Answers Get your French homework done with Quizlet! Browse through thousands of step-by-step solutions to end-of-chapter questions from the ... Workbook Apprenons Solutions for Class 8 French CBSE Class 8 french Workbook Apprenons Solutions are created by experts of the subject, hence, sure to prepare students to score well. The questions provided in ... Answer key Students' own answers. 7. 1. a a documentary. b a children's story or fairy tale. c a book-film adaptation. 2. French bon voyage workbook answer key (Read Only) Aug 5, 2004 — answers without needing a proof or an exact calculation in street fighting ... French bon voyage workbook answer key (Read Only) . clube ... Workbook Answers | IB

ESS by Science Sauce The workbook answer schemes below are community driven. Thank you to the ... Workbook Answers · Privacy Policy · Contact. What is Science Sauce? Science Sauce ... French 2 workbook answers - iwd3.de ... Bon Voyage French 2 Workbook Answer Key. With this file, you will not ... Read online Bon Voyage French 1 Workbook Answers book pdf free download link book now. French 2 workbook answers Bien Dit!Bon Voyage French 2 Workbook Answers File Type Glencoe French Bon Voyage Level 2, Workbook and Audio Activities by. FREE Unlimited Revisions ... ENGINE Workshop Manual 4M4 (W-E) ENGINE. 4M40. 11A-0-1. GENERAL INFORMATION. 1. SPECIFICATIONS. GENERAL SPECIFICATIONS. SERVICE SPECIFICATIONS. TORQUE SPECIFICATIONS. SEALANT. 2. SPECIAL TOOLS. ENGINE Workshop Manual 4M4 (W E) 4M40 User Manual: 4M40. Open the PDF directly: View PDF PDF . Page Count: 130 [warning: Documents this large are best viewed by clicking the View PDF Link!] 4m40 Workshop Manual PDF 4m40 workshop manual.pdf - Free download as PDF File (.pdf) or read online for free. Mitsubishi Engine 4M40 Service Repair Manual PDF ONLINE - Mitsubishi Engine 4M40 Service Repair Manual. Mitsubishi Engine 4M40 Service Repair Manual. Mitsubishi 4M40 / 4M40T Engine Workshop Maintenance ... Engine Maintenance / Repair Manual Suitable For Vehicles / Machinery Running The Following Engine/s Mitsubishi 4M40. Mitsubishi Engine 4M40 Service Repair Manual | PDF Mitsubishi Engine 4M40 Service Repair Manual. Uploaded by. Quốc Phú Đình. 100%(1)100% found this document useful (1 vote). 537 views. 137 pages ... Mitsubishi Canter engine 4M40 Service Manual20200201 ... Shop Manual • Compiled for experienced technicians, this shop manual aims to provide technical information required for maintenance and repair of the machine. L400 Complete Workshop manual now available! Apr 30, 2020 — Like what the topic says: a full l400 workshop manual is available via the resources section. It's my google docs folder, download whatever ... SHOGUN Mitsubishi WORKSHOP & 2.8 TD 4M40 ENGINE ... PLUS Full Wiring Diagrams Showing Harnesses. Not just a Parts Manual or Service Manual. This is by far the best and easiest to use and Most Comprehensive ... 1998 Pajero 2.8d V36 4m40 Manual Jan 14, 2017 — 4M40 engine repair manual is online. PDF]ENGINE Workshop Manual 4M4 ... Mitsubishi Outlander repair manual. Outlander & Airtrek Forum. 1; 3K. M. Scholastic Metaphysics: A Contemporary Introduction ... Published in 2014 Edward Feser's 'Scholastic Metaphysics: A Contemporary Introduction' provides a modern-day overview of scholastic metaphysics; the branch of ... Scholastic Metaphysics: A Contemporary Introduction | Reviews Sep 12, 2014 — Edward Feser demonstrates a facility with both Scholastic and contemporary analytical concepts, and does much to span the divide between the two ... Scholastic Metaphysics A Contemporary Introduction Sep 5, 2020 — Edward Feser. Scholastic Metaphysics. A Contemporary Introduction. editiones scholasticae. Book page image. editiones scholasticae Volume 39. Scholastic Metaphysics: A Contemporary Introduction Edward Feser is Associate Professor of Philosophy at Pasadena City College in Pasadena, California, USA. His many books include Scholastic Metaphysics: A ... Scholastic Metaphysics: A Contemporary Introduction ... By Edward Feser ; Description. Scholastic Metaphysics provides an overview of Scholastic approaches to causation, substance, essence, modality, identity, ... Besong on

Scholastic Metaphysics Dec 27, 2016 — Scholastic Metaphysics: A Contemporary Introduction provides an overview of Scholastic approaches to causation, substance, essence, modality ... Scholastic Metaphysics: A Contemporary Introduction Apr 1, 2014 — Dr. Edward Feser provides a well written introduction to scholastic metaphysics for contemporary philosophers interested in interacting with a ... Scholastic Metaphysics. A Contemporary Introduction by G Lazaroiu · 2015 — Scholastic Metaphysics. A Contemporary Introduction. Edward Feser (Pasadena City College). Piscataway, NJ: Transaction Books/Rutgers University, 2014, 302 pp ... Scholastic Metaphysics: A Contemporary Introduction ... Scholastic Metaphysics provides an overview of Scholastic approaches to causation, substance, essence, modality, identity, persistence, teleology, and other ... Scholastic Metaphysics. A Contemporary Introduction Scholastic Metaphysics. A Contemporary Introduction Edward Feser (Pasadena City College) Piscataway, NJ: Transaction Books/Rutgers University, 2014, 302 pp.