

INSTRUCTIONS
MODE D'EMPLOI
INSTRUCCIONES

CLe-SERIES DISHWASHERS BLOWER-DRYER

LAVE-VAISSELLE DE LA GAMME CLe
TUNNEL DE SÉCHAGE

LAVAVAJILLAS SERIE-CLe
SECADOR DE AIRE

ELECTRIC (CLe SERIES)
ÉLECTRIQUE (GAMME CLe)
SISTEMA ELÉCTRICO
(SERIE CLe)

ML-138211
ML-138212
ML-138213
ML-138214

ELECTRIC (CLeR SERIES)
ÉLECTRIQUE (GAMME CLeR)
SISTEMA ELÉCTRICO
(SERIE CLeR)

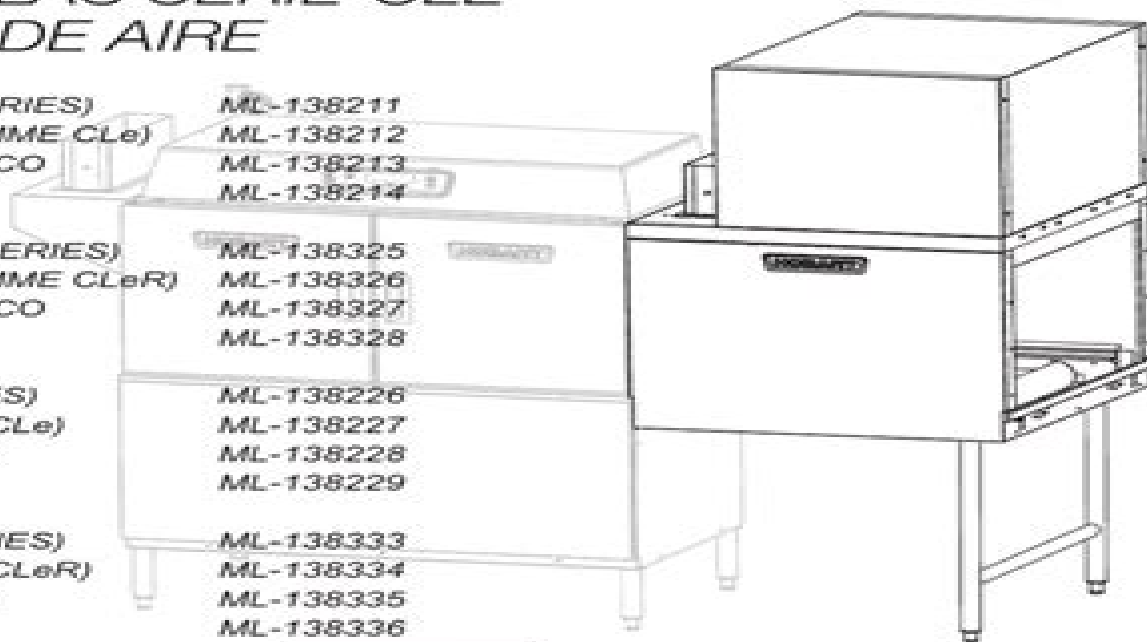
ML-138325
ML-138326
ML-138327
ML-138328

STEAM (CLe SERIES)
VAPEUR (GAMME CLe)
SISTEMA A VAPOR
(SERIE CLe)

ML-138226
ML-138227
ML-138228
ML-138229

STEAM (CLeR SERIES)
VAPEUR (GAMME CLeR)
SISTEMA A VAPOR

ML-138333
ML-138334
ML-138335
ML-138336



HOBART

For U.S. Models Visit
http://www.hobart.com

800-333-3000

www.hobartcorp.com

F44181 Rev. E (June 2013)

Hobart H65 Dishwasher Manual

J Rink



Hobart H65 Dishwasher Manual:

Immerse yourself in heartwarming tales of love and emotion with Explore Love with its touching creation, Tender Moments: **Hobart H65 Dishwasher Manual** . This emotionally charged ebook, available for download in a PDF format (*), is a celebration of love in all its forms. Download now and let the warmth of these stories envelop your heart.

https://staging.conocer.cide.edu/About/Resources/default.aspx/hp_7825_desktops_owners_manual.pdf

Table of Contents Hobart H65 Dishwasher Manual

1. Understanding the eBook Hobart H65 Dishwasher Manual
 - The Rise of Digital Reading Hobart H65 Dishwasher Manual
 - Advantages of eBooks Over Traditional Books
2. Identifying Hobart H65 Dishwasher Manual
 - Exploring Different Genres
 - Considering Fiction vs. Non-Fiction
 - Determining Your Reading Goals
3. Choosing the Right eBook Platform
 - Popular eBook Platforms
 - Features to Look for in an Hobart H65 Dishwasher Manual
 - User-Friendly Interface
4. Exploring eBook Recommendations from Hobart H65 Dishwasher Manual
 - Personalized Recommendations
 - Hobart H65 Dishwasher Manual User Reviews and Ratings
 - Hobart H65 Dishwasher Manual and Bestseller Lists
5. Accessing Hobart H65 Dishwasher Manual Free and Paid eBooks
 - Hobart H65 Dishwasher Manual Public Domain eBooks
 - Hobart H65 Dishwasher Manual eBook Subscription Services
 - Hobart H65 Dishwasher Manual Budget-Friendly Options
6. Navigating Hobart H65 Dishwasher Manual eBook Formats

- ePub, PDF, MOBI, and More
 - Hobart H65 Dishwasher Manual Compatibility with Devices
 - Hobart H65 Dishwasher Manual Enhanced eBook Features
7. Enhancing Your Reading Experience
 - Adjustable Fonts and Text Sizes of Hobart H65 Dishwasher Manual
 - Highlighting and Note-Taking Hobart H65 Dishwasher Manual
 - Interactive Elements Hobart H65 Dishwasher Manual
 8. Staying Engaged with Hobart H65 Dishwasher Manual
 - Joining Online Reading Communities
 - Participating in Virtual Book Clubs
 - Following Authors and Publishers Hobart H65 Dishwasher Manual
 9. Balancing eBooks and Physical Books Hobart H65 Dishwasher Manual
 - Benefits of a Digital Library
 - Creating a Diverse Reading Collection Hobart H65 Dishwasher Manual
 10. Overcoming Reading Challenges
 - Dealing with Digital Eye Strain
 - Minimizing Distractions
 - Managing Screen Time
 11. Cultivating a Reading Routine Hobart H65 Dishwasher Manual
 - Setting Reading Goals Hobart H65 Dishwasher Manual
 - Carving Out Dedicated Reading Time
 12. Sourcing Reliable Information of Hobart H65 Dishwasher Manual
 - Fact-Checking eBook Content of Hobart H65 Dishwasher Manual
 - Distinguishing Credible Sources
 13. Promoting Lifelong Learning
 - Utilizing eBooks for Skill Development
 - Exploring Educational eBooks
 14. Embracing eBook Trends
 - Integration of Multimedia Elements
 - Interactive and Gamified eBooks

Hobart H65 Dishwasher Manual Introduction

In the digital age, access to information has become easier than ever before. The ability to download Hobart H65 Dishwasher Manual has revolutionized the way we consume written content. Whether you are a student looking for course material, an avid reader searching for your next favorite book, or a professional seeking research papers, the option to download Hobart H65 Dishwasher Manual has opened up a world of possibilities. Downloading Hobart H65 Dishwasher Manual provides numerous advantages over physical copies of books and documents. Firstly, it is incredibly convenient. Gone are the days of carrying around heavy textbooks or bulky folders filled with papers. With the click of a button, you can gain immediate access to valuable resources on any device. This convenience allows for efficient studying, researching, and reading on the go. Moreover, the cost-effective nature of downloading Hobart H65 Dishwasher Manual has democratized knowledge. Traditional books and academic journals can be expensive, making it difficult for individuals with limited financial resources to access information. By offering free PDF downloads, publishers and authors are enabling a wider audience to benefit from their work. This inclusivity promotes equal opportunities for learning and personal growth. There are numerous websites and platforms where individuals can download Hobart H65 Dishwasher Manual. These websites range from academic databases offering research papers and journals to online libraries with an expansive collection of books from various genres. Many authors and publishers also upload their work to specific websites, granting readers access to their content without any charge. These platforms not only provide access to existing literature but also serve as an excellent platform for undiscovered authors to share their work with the world. However, it is essential to be cautious while downloading Hobart H65 Dishwasher Manual. Some websites may offer pirated or illegally obtained copies of copyrighted material. Engaging in such activities not only violates copyright laws but also undermines the efforts of authors, publishers, and researchers. To ensure ethical downloading, it is advisable to utilize reputable websites that prioritize the legal distribution of content. When downloading Hobart H65 Dishwasher Manual, users should also consider the potential security risks associated with online platforms. Malicious actors may exploit vulnerabilities in unprotected websites to distribute malware or steal personal information. To protect themselves, individuals should ensure their devices have reliable antivirus software installed and validate the legitimacy of the websites they are downloading from. In conclusion, the ability to download Hobart H65 Dishwasher Manual has transformed the way we access information. With the convenience, cost-effectiveness, and accessibility it offers, free PDF downloads have become a popular choice for students, researchers, and book lovers worldwide. However, it is crucial to engage in ethical downloading practices and prioritize personal security when utilizing online platforms. By doing so, individuals can make the most of the vast array of free PDF resources available and embark on a journey of continuous learning and intellectual growth.

FAQs About Hobart H65 Dishwasher Manual Books

What is a Hobart H65 Dishwasher Manual PDF? A PDF (Portable Document Format) is a file format developed by Adobe that preserves the layout and formatting of a document, regardless of the software, hardware, or operating system used to view or print it. **How do I create a Hobart H65 Dishwasher Manual PDF?** There are several ways to create a PDF: Use software like Adobe Acrobat, Microsoft Word, or Google Docs, which often have built-in PDF creation tools. **Print to PDF:** Many applications and operating systems have a "Print to PDF" option that allows you to save a document as a PDF file instead of printing it on paper. **Online converters:** There are various online tools that can convert different file types to PDF. **How do I edit a Hobart H65 Dishwasher Manual PDF?** Editing a PDF can be done with software like Adobe Acrobat, which allows direct editing of text, images, and other elements within the PDF. Some free tools, like PDFescape or Smallpdf, also offer basic editing capabilities. **How do I convert a Hobart H65 Dishwasher Manual PDF to another file format?** There are multiple ways to convert a PDF to another format: Use online converters like Smallpdf, Zamzar, or Adobe Acrobat's export feature to convert PDFs to formats like Word, Excel, JPEG, etc. Software like Adobe Acrobat, Microsoft Word, or other PDF editors may have options to export or save PDFs in different formats. **How do I password-protect a Hobart H65 Dishwasher Manual PDF?** Most PDF editing software allows you to add password protection. In Adobe Acrobat, for instance, you can go to "File" -> "Properties" -> "Security" to set a password to restrict access or editing capabilities. **Are there any free alternatives to Adobe Acrobat for working with PDFs?** Yes, there are many free alternatives for working with PDFs, such as: LibreOffice: Offers PDF editing features. PDFsam: Allows splitting, merging, and editing PDFs. Foxit Reader: Provides basic PDF viewing and editing capabilities. **How do I compress a PDF file?** You can use online tools like Smallpdf, ILovePDF, or desktop software like Adobe Acrobat to compress PDF files without significant quality loss. Compression reduces the file size, making it easier to share and download. **Can I fill out forms in a PDF file?** Yes, most PDF viewers/editors like Adobe Acrobat, Preview (on Mac), or various online tools allow you to fill out forms in PDF files by selecting text fields and entering information. **Are there any restrictions when working with PDFs?** Some PDFs might have restrictions set by their creator, such as password protection, editing restrictions, or print restrictions. Breaking these restrictions might require specific software or tools, which may or may not be legal depending on the circumstances and local laws.

Find Hobart H65 Dishwasher Manual :

[hp 7825 desktops owners manual](#)

[hp designjet 4500 scanner service manual](#)

[hp 8600 paper feed problems](#)

[hp deskjet d426 manual user guide](#)

[hp 7e17000t 160 desktops owners manual](#)

hp 3468a b user guide

hp 8711a manual

[hp 720 manual](#)

[hp 5552 printers accessory owners manual](#)

hp briggs and stratton repair

[hp 5100 printer manual](#)

[hp 6510 user guide](#)

[hp dl380 g1 service manual](#)

[hp 895cxi printers accessory owners manual](#)

[hp 4250 service manual](#)

Hobart H65 Dishwasher Manual :

Improve Your Humor with the Humorously Speaking Manual But the most important way to learn humor is to do it. The Humorously Speaking manual is certainly a challenge. If you want to start a little slower, go for the ... Humorously Speaking - District 1 Toastmasters Humorously Speaking · 1. Warm Up Your Audience, 5-7 minutes, A humorous story at the beginning of your presentation will attract listeners' attention and relax ... HUMOROUSLY SPEAKING - Saturn Forge ADVANCED COMMUNICATION SERIES. HUMOROUSLY SPEAKING. 1. Assignment #1: WARM UP YOUR AUDIENCE. Objectives. • Prepare a speech that opens with a humorous story. What would be a good idea or topic for a humorous speech ... Aug 24, 2015 — Yes, most definitely. · Toastmasters helps bring the best out of you, so you can present the best of you to the world. · Through practice of both ... TOASTMASTERS INTERNATIONAL - NewtonWebs Most everyone enjoys reading humorous stories and listening to comedians on radio and television and in person. Of course, everyone loves the clown - the ... TM Maneesh's humorous speech, Toastmasters ... - YouTube Advanced Communication Manuals Jun 8, 2011 — The Advanced Communication manuals train you for different speaking situations that Toastmasters can encounter outside the club environment. Toastmasters International's Advanced Communication ... Project 2: The Talk Show. Objectives: • To understand the dynamics of a television interview or “talk” show. • To prepare for the questions that may be ... Humorously Speaking Learn how to begin a speech with a humorous story to get listeners' attention, end a speech with a humorous story, use humorous stories and anecdotes throughout ... Toastmasters Funniest Humorous Speech [VIDEO] What is your funniest humorous speech? Ever do one about being a Toastmaster? CLICK PLAY, here is mine! Enjoy the laughs! TECHNICS SX-

PX103 SERVICE MANUAL Pdf Download View and Download Technics SX-PX103 service manual online. SX-PX103 musical instrument pdf manual download. Also for: Sx-px103m. Technics SX-PC25 Service Manual View and Download Technics SX-PC25 service manual online. SX-PC25 musical instrument pdf manual download. Free Technics Electronic Keyboard User Manuals Technics Electronic Keyboard Manuals. Showing Products 1 - 8 of 8. Technics SX-PX224/M DIGITAL PIANO user manual Mar 18, 2022 — ELECTRIC SHOCK, DO NOT REMOVE SCREWS. NO USER-SERVICEABLE. PARTS INSIDE. REFER SERVICING TO QUALIFIED. SERVICE PERSONNEL. The lightning ... User manual Technics SX-PC26 (English - 12 pages) Manual. View the manual for the Technics SX-PC26 here, for free. This manual comes under the category piano's and has been rated by 1 people with an average ... User manual Technics SX-PX332 (28 pages) Manual. View the manual for the Technics SX-PX332 here, for free. This manual comes under the category piano's and has been rated by 1 people with an ... SX-PC8 Follow the steps below to assemble your Technics piano. Make sure you are ... Digital piano [SX-PC8]. Function. MIDI Implementation Chart. Transmitted. Basic. Technics SX-PX55 User Manual Pressing the POWER switch turns the digital piano on. • The MAIN VOLUME control adjusts the loudness of the digital piano. No sound will be heard when the slide ... Technics PR370 Repair help - switch array unresponsive Jan 10, 2021 — A common symptom of Technics electronic pianos is the breakage of patterns and through-holes due to leaks from electric double layer capacitors. I have a digital piano - Technics SX-PX106-M. Right now ... Apr 19, 2022 — Here is the service manualtechnics digital piano sx px-103.pdf ... The only way that you might repair this keyboard. is to find a defective ... Frankenstein | Mary Shelley, J. Paul Hunter This Norton Critical Edition includes: The 1818 first edition text of the novel, introduced and annotated by J. Paul Hunter. Three maps and eight illustrations. Frankenstein (Norton Critical Editions) This second edition has value to the growing importance of Mary Shelley to the fields of feminist study, cultural communication, and literature. In addition to ... Frankenstein (The Norton Library) The Norton Library edition of Frankenstein features the complete text of the first (1818) edition and Mary Shelley's preface to the third (1831) edition. An ... Frankenstein: A Norton Critical Edition ... Amazon.com: Frankenstein: A Norton Critical Edition (Norton Critical Editions): 9780393644029: Shelley, Mary, Hunter, J. Paul: Books. Frankenstein: A Norton Critical Edition / Edition 2 The epic battle between man and monster reaches its greatest pitch in the famous story of FRANKENSTEIN. In trying to create life, the young student. Frankenstein (Norton Critical Editions) - Shelley, Mary Frankenstein (Norton Critical Editions) by Shelley, Mary - ISBN 10: 0393927938 - ISBN 13: 9780393927931 - W. W. Norton & Company - 2012 - Softcover. Frankenstein (Norton Critical Edition) Sep 8, 2021 — Rent textbook Frankenstein (Norton Critical Edition) by Shelley, Mary - 9780393644029. Price: \$14.26. Frankenstein: A Norton Critical Edition The epic battle between man and monster reaches its greatest pitch in the famous story of FRANKENSTEIN. In trying to create life, the young student. Frankenstein (Norton Critical Editions) Dec 17, 1995 — Frankenstein (Norton Critical Editions). by Mary Wollstonecraft Shelley. Details. Author Mary Wollstonecraft Shelley Publisher W. W. Norton & ... Frankenstein (Second

Edition) (Norton Critical ... Read "Frankenstein (Second Edition) (Norton Critical Editions)" by Mary Shelley available from Rakuten Kobo. The best-selling student edition on the market, ...