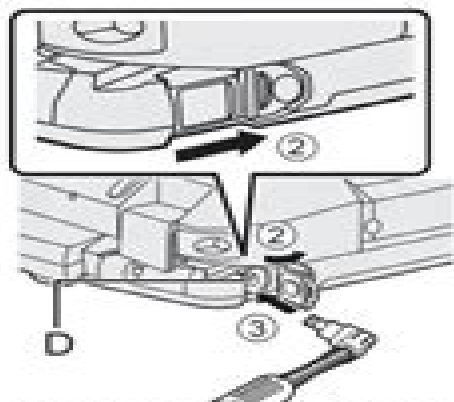
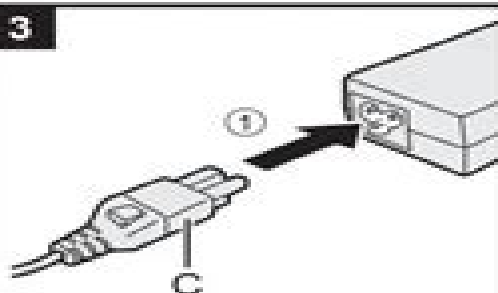
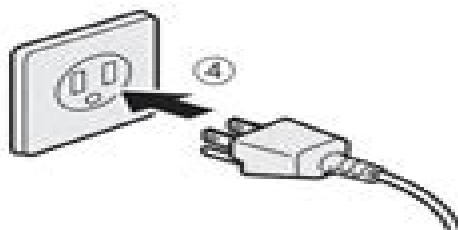
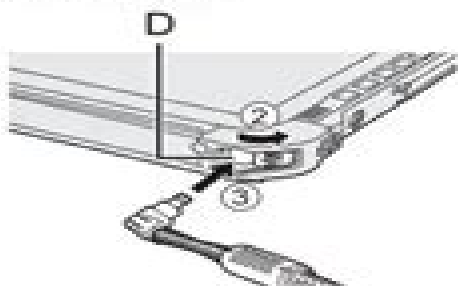


3



&lt;For tablet&gt;



### 3 Connect your computer to a power outlet

- ① Connect the power cord and AC adaptor.  
Hold the plug (C) of the power cord, and securely insert it straight to the end.
- ② <Only for model with keyboard base> Slide the cover to the arrow direction and then open the cover.  
<For tablet> Slide the cover.
- ③ Connect the AC adaptor to the DC-IN jack (D) of the computer.
- ④ Connect your computer to a power outlet.  
The shape of AC Plug and AC Outlet depend on the country.

The battery charging starts automatically.

#### IMPORTANT

- Do not disconnect the AC adaptor until the first-time operation procedure is completed.
- When using the computer for the first time, do not connect any peripheral device (including wired LAN cable) except the battery pack and AC adaptor.
- **Handling the AC adaptor**  
Problems such as sudden voltage drops may arise during periods of thunder and lightning. Since this could adversely affect your computer, an uninterruptible power source (UPS) is highly recommended unless running from the battery pack alone.
- When the DC plug is not connected to the computer, disconnect the AC cord from your electrical outlet. Power is consumed simply by having the AC adaptor plugged into an electrical outlet.

# Htc G2 Instruction Manual

**RS Peters**



## **Htc G2 Instruction Manual:**

**Dynamics and Control in Nuclear Power Stations** British Nuclear Energy Society, 1992 This volume covers a wider view of the aspects of control of nuclear power stations by taking into consideration the plant as a whole and the protection systems employed therein Authors with world wide experience consider all the aspects of dynamics and control in the context of both fast and thermal power stations The topics discussed include both the methods of development and applications within analysis of plant behaviour validation of mathematical models plant testing design and implementation of controls

*Grid Computing* Fran Berman, Geoffrey Fox, Anthony J. G. Hey, 2003-04-18 Grid computing is applying the resources of many computers in a network to a single problem at the same time Grid computing appears to be a promising trend for three reasons 1 Its ability to make more cost effective use of a given amount of computer resources 2 As a way to solve problems that can't be approached without an enormous amount of computing power 3 Because it suggests that the resources of many computers can be cooperatively and perhaps synergistically harnessed and managed as a collaboration toward a common objective A number of corporations professional groups university consortiums and other groups have developed or are developing frameworks and software for managing grid computing projects The European Community EU is sponsoring a project for a grid for high energy physics earth observation and biology applications In the United States the National Technology Grid is prototyping a computational grid for infrastructure and an access grid for people Sun Microsystems offers Grid Engine software Described as a distributed resource management tool Grid Engine allows engineers at companies like Sony and Synopsys to pool the computer cycles on up to 80 workstations at a time the Grid is a very hot topic generating broad interest from research and industry e.g. IBM Platform Avaki Entropia Sun HP Grid architecture enables very popular e Science projects like the Genome project which demand global interaction and networking In recent surveys over 50% of Chief Information Officers are expected to use Grid technology this year Grid Computing Features contributions from the major players in the field Covers all aspects of grid technology from motivation to applications Provides an extensive state of the art guide in grid computing This is essential reading for researchers in Computing and Engineering physicists statisticians engineers and mathematicians and IT policy makers

*The Synergy of Metaverse, NFTs, and DeFi* Tarun Gowda, 2025-02-28 The Synergy of Metaverse NFTs and DeFi is your essential guide to understanding and navigating the exciting world of blockchain technology The metaverse is an online virtual environment where users can interact with both the computing environment and other users Think of VR games and chat rooms and you'll get an idea of what the metaverse can offer This book provides a straightforward explanation of the metaverse and how it integrates with Non Fungible Tokens NFTs cryptocurrencies and Decentralized Finance DeFi We cover various topics including The concept of the metaverse Augmented Reality AR Non Fungible Tokens NFTs Web 3.0 Cryptocurrencies Decentralized Finance DeFi The metaverse is a new and exciting realm that may seem confusing at first However with this book you will gain the knowledge needed to stay

ahead of the curve Discover how to invest in virtual worlds NFTs crypto art altcoins and the best DeFi projects This guide offers comprehensive information to help you conquer the world of blockchain and invest wisely *Htc Desire 22 Pro* James Omoghosa Abu,2022-08-12 **HTC One User Guide** ,2013-07-23 HTC One User Guide The Ultimate HTC One Manual for Mastering Your Device This guide covers ALL features basic through advanced Become a pro with your HTC One The HTC One burst onto the scene as one of the most powerful and polished smartphones available But all these new features and added horsepower can be daunting and complicated Beginner s will learn all there is to know and advanced users can use this is as an invaluable reference In this HTC One Manual you will learn How to set up and navigate your phone How to download Apps in Google Play store New ADVANCED features such as HTC Blinkfeed tethering your phone HTC Watch and HTC Zoe Media features to edit photos and movies like a pro Innovative internet features like Google Hangouts Key Security features to keep your data safe BONUS Discover the benefits of the HTC One s new camera and all it s impressive features Note from the Author The new HTC One is the MOST POWERFUL smartphone on the market DON T miss out on unlocking its limitless potential Grab your copy today and master your HTC One **Google Pixel 4/4 XL User Manual** Scott Brown,2019-10-25 Google Pixel 4 4 XL Comprehensive Manual Are you looking for a comprehensive user manual that will help you SETUP and MASTER your Google Pixel 4 4 XL Are you looking for a manual that will expose you to all the amazing features of your device Then get your hands on this book and have an amazing time using your device Google released the fourth iteration of its flagship smartphone the Pixel 4 which embodies the tech giant s vision for what a smartphone should be You can probably already tell that Google s vision is that smartphones should prize function over form in short Google wants its phones to be helpful Pixel is here to help the company states on its blog The Keyword With a great camera Motion Sense and the new Google Assistant built in Pixel 4 is designed to be helpful throughout your day This book is written in simple and clear terms with a step by step approach and with tips and tricks that will help you to master your Google Pixel 4 4 XL within the shortest period of time Inside you will discover A qualitative review of what the Google pixel 4 4 XL is all about Basic set up guide Essential Settings and configurations Detailed app tutorials Home screen tips and tricks Quick Settings tips Display tips and tricks Camera and photos tips Apps tips and tricks volume tips and tricks Google Assistant tips and tricks Pixel Stand setup tips General tips and tricks storage tips and tricks Common Google Pixel 3a 3a XL Problems and Fixes Much much more Scroll up and click BUY WITH 1 CLICK to add this book to your library **Htc U11 User Guide** Mike Jacobs,2017-10-17 The HTC U11 boasts an all star cutting edge camera and remarkable specs Users will find that they can fill the checkboxes with a tick for all the good things a phone could possibly have and be able to do The HTC U11 has a one of a kind Edge Sense and spectacular audio brilliance An attractively constructed phone with circular corners and charmingly arched edges this device is flawless and cozy to carry around **HTC Vivid Survival Guide: Step-by-Step User Guide for Droid Vivid: Getting Started, Downloading FREE eBooks, Using eMail, Photos and Videos, and**

**Surfing the Web** Toly K,2012-09 The HTC Vivid is a 4G Android smartphone and one of the first to receive the Android 4.0 Ice Cream Sandwich update The Ice Cream Sandwich operating system opens up new possibilities and improves the performance of the Vivid The HTC Vivid Survival Guide organizes the wealth of knowledge about the HTC Vivid into one place where it can be easily accessed and navigated for quick reference This guide comes with a multitude of screenshots which complement the step by step instructions and help you to realize the HTC Vivid s full potential The HTC Vivid Survival Guide provides useful information such as tips and tricks hidden features and troubleshooting advice You will also learn how to download FREE games and FREE eBooks and how to personalize your phone with custom ringtones and wallpapers Whereas the official HTC Vivid manual is stagnant this guide goes above and beyond by discussing recent known issues and solutions that may be currently available This information is constantly revised for a complete up to date manual This HTC Vivid guide includes but is not limited to Getting Started Button Layout Navigating the Screens Making Calls Using the Speakerphone During a Voice Call Staring a Conference Call Managing Your Contacts Adding a New Contact Adding a Favorite Contact Speed Dial Managing Text Messages Adding Texted Phone Numbers to Contacts Copying Cutting and Pasting Text Using Swype Sending Picture and Video Messages Using the Web Browser Managing Open Browser Windows Managing Photos and Videos Taking Pictures Capturing Videos Using the Gmail Application Changing Gmail Options Managing Applications Sharing an Application Using the Android Market to Download Applications Reading User Reviews Deleting an Application Advanced Topics Reading eBooks Downloading thousands of free eBooks Adjusting the Settings Turning Vibration On and Off Setting Alert Sounds Changing the Wallpaper Setting a Face Lock Changing Keyboard Settings Changing Security Settings Turning Bluetooth On and Off Turning Wi Fi On and Off Turning Airplane Mode On and Off Turning Camera Effects On or Off Tips and Tricks Maximizing Battery Life Resetting Your HTC Vivid Using your own MP3 s as ringtones Opening an incognito window in the Web browser Troubleshooting List of Droid friendly websites that save you time typing in long URL s

**Google Pixel 4/4 XL Manual** Scott Brown,2019-11-15 Google Pixel 4 4 XL Comprehensive Manual Are you looking for a comprehensive user manual that will help you SETUP and MASTER your Google Pixel 4 4 XL Are you looking for a manual that will expose you to all the amazing features of your device Then get your hands on this book and have an amazing time using your device Google released the fourth iteration of its flagship smartphone the Pixel 4 which embodies the tech giant s vision for what a smartphone should be You can probably already tell that Google s vision is that smartphones should prize function over form in short Google wants its phones to be helpful Pixel is here to help the company states on its blog The Keyword With a great camera Motion Sense and the new Google Assistant built in Pixel 4 is designed to be helpful throughout your day This book is written in simple and clear terms with a step by step approach and with tips and tricks that will help you to master your Google Pixel 4 4 XL within the shortest period of time Inside you will discover A qualitative review of what the Google pixel 4 4 XL is all about Basic set up guide Essential Settings and configurations

Detailed app tutorials Home screen tips and tricks Quick Settings tips Display tips and tricks Camera and photos tips Apps tips and tricks volume tips and tricks Google Assistant tips and tricks Pixel Stand setup tips General tips and tricks storage tips and tricks Common Google Pixel 3a 3a XL Problems and Fixes Much much more Scroll up and click BUY WITH 1 CLICK to add this book to your library

**Google Pixel 4a User Manual** Ryan Max,2021-04-13 This user guide has been carefully designed so that you can set up and use your Pixel phone efficiently It goes straight to the point and therefore saves you a lot of time Without having to read everything you can go to specific sections that meet your specific needs at the time Why not click the Buy Now button to get started and learn all you can about Set Up Your Pixel Phone Transfer Of Your Data From The Existing Phone Importing Contacts Addition Removal Of Contacts Tips For Changing To Your Pixel Phone Use The Covid 19 Exposure Reporting System On Your Android Phone Reset Your Google Pixel Phone Fully Use The Battery In Your Pixel Phone Quickly Change The Settings On Your Pixel Phone Take A Screenshot Or Capture Your Screen On Your Google Pixel Phone Find And Delete Files On Your Google Pixel Phone Navigate To The Pixel Phone Manage How You Spend Time On Your Pixel Phone With Digital Well Being Configure Digital Well Being Get Emergency Help Using Your Pixel Phone Prepare For An Emergency Turn On Car Crash Detection Add Apps Shortcuts And Widgets To Your Home Screens Add Or Resize Widget Organize On The Home Screens Add A Home Screen Customize Your Home Screen Make Contactless Payments With Your Pixel Phone Enable Nfc Manage Applications That Use Contactless Payments Turn Off Contactless Payments Find Out What Music Is Playing Near You Use Do Not Disturb To Limit Interruptions On Your Pixel Phone Install The Android Auto Application Get Detailed Navigation With Google Maps Make And Receive Phone Calls Sending And Receiving Messages

Embark on a transformative journey with is captivating work, **Htc G2 Instruction Manual** . This enlightening ebook, available for download in a convenient PDF format PDF Size: , invites you to explore a world of boundless knowledge. Unleash your intellectual curiosity and discover the power of words as you dive into this riveting creation. Download now and elevate your reading experience to new heights .

[https://staging.conocer.cide.edu/results/scholarship/default.aspx/Ellery\\_Queen\\_Presents\\_The\\_Vanished\\_Steamboat\\_Playlover\\_For\\_Me\\_Brothers\\_On\\_The.pdf](https://staging.conocer.cide.edu/results/scholarship/default.aspx/Ellery_Queen_Presents_The_Vanished_Steamboat_Playlover_For_Me_Brothers_On_The.pdf)

## **Table of Contents Htc G2 Instruction Manual**

1. Understanding the eBook Htc G2 Instruction Manual
  - The Rise of Digital Reading Htc G2 Instruction Manual
  - Advantages of eBooks Over Traditional Books
2. Identifying Htc G2 Instruction Manual
  - Exploring Different Genres
  - Considering Fiction vs. Non-Fiction
  - Determining Your Reading Goals
3. Choosing the Right eBook Platform
  - Popular eBook Platforms
  - Features to Look for in an Htc G2 Instruction Manual
  - User-Friendly Interface
4. Exploring eBook Recommendations from Htc G2 Instruction Manual
  - Personalized Recommendations
  - Htc G2 Instruction Manual User Reviews and Ratings
  - Htc G2 Instruction Manual and Bestseller Lists
5. Accessing Htc G2 Instruction Manual Free and Paid eBooks
  - Htc G2 Instruction Manual Public Domain eBooks
  - Htc G2 Instruction Manual eBook Subscription Services

- Htc G2 Instruction Manual Budget-Friendly Options
- 6. Navigating Htc G2 Instruction Manual eBook Formats
  - ePub, PDF, MOBI, and More
  - Htc G2 Instruction Manual Compatibility with Devices
  - Htc G2 Instruction Manual Enhanced eBook Features
- 7. Enhancing Your Reading Experience
  - Adjustable Fonts and Text Sizes of Htc G2 Instruction Manual
  - Highlighting and Note-Taking Htc G2 Instruction Manual
  - Interactive Elements Htc G2 Instruction Manual
- 8. Staying Engaged with Htc G2 Instruction Manual
  - Joining Online Reading Communities
  - Participating in Virtual Book Clubs
  - Following Authors and Publishers Htc G2 Instruction Manual
- 9. Balancing eBooks and Physical Books Htc G2 Instruction Manual
  - Benefits of a Digital Library
  - Creating a Diverse Reading Collection Htc G2 Instruction Manual
- 10. Overcoming Reading Challenges
  - Dealing with Digital Eye Strain
  - Minimizing Distractions
  - Managing Screen Time
- 11. Cultivating a Reading Routine Htc G2 Instruction Manual
  - Setting Reading Goals Htc G2 Instruction Manual
  - Carving Out Dedicated Reading Time
- 12. Sourcing Reliable Information of Htc G2 Instruction Manual
  - Fact-Checking eBook Content of Htc G2 Instruction Manual
  - Distinguishing Credible Sources
- 13. Promoting Lifelong Learning
  - Utilizing eBooks for Skill Development
  - Exploring Educational eBooks
- 14. Embracing eBook Trends



- Integration of Multimedia Elements
- Interactive and Gamified eBooks

### **Htc G2 Instruction Manual Introduction**

In today's digital age, the availability of Htc G2 Instruction Manual books and manuals for download has revolutionized the way we access information. Gone are the days of physically flipping through pages and carrying heavy textbooks or manuals. With just a few clicks, we can now access a wealth of knowledge from the comfort of our own homes or on the go. This article will explore the advantages of Htc G2 Instruction Manual books and manuals for download, along with some popular platforms that offer these resources. One of the significant advantages of Htc G2 Instruction Manual books and manuals for download is the cost-saving aspect. Traditional books and manuals can be costly, especially if you need to purchase several of them for educational or professional purposes. By accessing Htc G2 Instruction Manual versions, you eliminate the need to spend money on physical copies. This not only saves you money but also reduces the environmental impact associated with book production and transportation. Furthermore, Htc G2 Instruction Manual books and manuals for download are incredibly convenient. With just a computer or smartphone and an internet connection, you can access a vast library of resources on any subject imaginable. Whether you're a student looking for textbooks, a professional seeking industry-specific manuals, or someone interested in self-improvement, these digital resources provide an efficient and accessible means of acquiring knowledge. Moreover, PDF books and manuals offer a range of benefits compared to other digital formats. PDF files are designed to retain their formatting regardless of the device used to open them. This ensures that the content appears exactly as intended by the author, with no loss of formatting or missing graphics. Additionally, PDF files can be easily annotated, bookmarked, and searched for specific terms, making them highly practical for studying or referencing. When it comes to accessing Htc G2 Instruction Manual books and manuals, several platforms offer an extensive collection of resources. One such platform is Project Gutenberg, a nonprofit organization that provides over 60,000 free eBooks. These books are primarily in the public domain, meaning they can be freely distributed and downloaded. Project Gutenberg offers a wide range of classic literature, making it an excellent resource for literature enthusiasts. Another popular platform for Htc G2 Instruction Manual books and manuals is Open Library. Open Library is an initiative of the Internet Archive, a non-profit organization dedicated to digitizing cultural artifacts and making them accessible to the public. Open Library hosts millions of books, including both public domain works and contemporary titles. It also allows users to borrow digital copies of certain books for a limited period, similar to a library lending system. Additionally, many universities and educational institutions have their own digital libraries that provide free access to PDF books and manuals. These libraries often offer academic texts, research papers, and technical manuals, making them invaluable resources for students and researchers. Some notable

examples include MIT OpenCourseWare, which offers free access to course materials from the Massachusetts Institute of Technology, and the Digital Public Library of America, which provides a vast collection of digitized books and historical documents. In conclusion, Htc G2 Instruction Manual books and manuals for download have transformed the way we access information. They provide a cost-effective and convenient means of acquiring knowledge, offering the ability to access a vast library of resources at our fingertips. With platforms like Project Gutenberg, Open Library, and various digital libraries offered by educational institutions, we have access to an ever-expanding collection of books and manuals. Whether for educational, professional, or personal purposes, these digital resources serve as valuable tools for continuous learning and self-improvement. So why not take advantage of the vast world of Htc G2 Instruction Manual books and manuals for download and embark on your journey of knowledge?

### **FAQs About Htc G2 Instruction Manual Books**

1. Where can I buy Htc G2 Instruction Manual books? Bookstores: Physical bookstores like Barnes & Noble, Waterstones, and independent local stores. Online Retailers: Amazon, Book Depository, and various online bookstores offer a wide range of books in physical and digital formats.
2. What are the different book formats available? Hardcover: Sturdy and durable, usually more expensive. Paperback: Cheaper, lighter, and more portable than hardcovers. E-books: Digital books available for e-readers like Kindle or software like Apple Books, Kindle, and Google Play Books.
3. How do I choose a Htc G2 Instruction Manual book to read? Genres: Consider the genre you enjoy (fiction, non-fiction, mystery, sci-fi, etc.). Recommendations: Ask friends, join book clubs, or explore online reviews and recommendations. Author: If you like a particular author, you might enjoy more of their work.
4. How do I take care of Htc G2 Instruction Manual books? Storage: Keep them away from direct sunlight and in a dry environment. Handling: Avoid folding pages, use bookmarks, and handle them with clean hands. Cleaning: Gently dust the covers and pages occasionally.
5. Can I borrow books without buying them? Public Libraries: Local libraries offer a wide range of books for borrowing. Book Swaps: Community book exchanges or online platforms where people exchange books.
6. How can I track my reading progress or manage my book collection? Book Tracking Apps: Goodreads, LibraryThing, and Book Catalogue are popular apps for tracking your reading progress and managing book collections. Spreadsheets: You can create your own spreadsheet to track books read, ratings, and other details.

7. What are Htc G2 Instruction Manual audiobooks, and where can I find them? Audiobooks: Audio recordings of books, perfect for listening while commuting or multitasking. Platforms: Audible, LibriVox, and Google Play Books offer a wide selection of audiobooks.
8. How do I support authors or the book industry? Buy Books: Purchase books from authors or independent bookstores. Reviews: Leave reviews on platforms like Goodreads or Amazon. Promotion: Share your favorite books on social media or recommend them to friends.
9. Are there book clubs or reading communities I can join? Local Clubs: Check for local book clubs in libraries or community centers. Online Communities: Platforms like Goodreads have virtual book clubs and discussion groups.
10. Can I read Htc G2 Instruction Manual books for free? Public Domain Books: Many classic books are available for free as they're in the public domain. Free E-books: Some websites offer free e-books legally, like Project Gutenberg or Open Library.

### **Find Htc G2 Instruction Manual :**

**ellery queen presents the vanished steamboat playlover for me brothers on the elmstowns youth**

[elizabeth cady stanton-susan b. anthony correspondence writings speeches](#)

*eliel saarinen projects 1896-1923.*

**elis songs**

~~elite accommodation in canadian politics~~

**ellis island images of america arcadia publishing**

[elmo under the sea](#)

**embryo research in pluralistic europe**

[elizabeth the seventh grader](#)

[elinor wylie](#)

**emergency medical services an overview**

[emancipation of prisoners](#)

**elmer friel of the 111s**

*emergency medicine valuepack tintinalli 6/e and promes*

**Htc G2 Instruction Manual :**

**vendor registration request letter to company with example** - May 04 2023

web jan 30 2023 here is an view of a letter requisitioning vendor registration dear name i am writing to introduce myself press my company name we specialize in products services offered furthermore have been in business for number years i am letter to request of opportunity up register as a vendor for your company

**free 8 sample vendor registration forms in ms word pdf** - Feb 01 2023

web free 8 sample vendor registration forms in ms word pdf vendor registration form is the best way to get hold of the vendors and to get the complete process of procurement in a proper way vendor registration form helps you to enroll certain vendors on long term basis for supply of certain materials industries operate in the manner of

vendor registration request letter to company with example - Sep 08 2023

web jan 30 2023 here is an example of a letter requesting vendor registration dear name i am writing to introduce myself and my company name we specialize in products services offered and have been in business for number years i am writing to request the opportunity to register as a vendor for your company

**vendor registration request letter to company with example** - Aug 07 2023

web jan 30 2023 free 8 sample vendor registration forms in ms word pdf provide details and supporting intelligence in an next section of your proposal you need provide details information about your solution and any supporting information that may be related

**vendor registration request letter sample letters in english** - Oct 09 2023

web jun 18 2021 the manager name of the company address of the company date subject request for vendor registration dear sir madam with reference to order no order number i your name designation writing this letter for vendor registration vendor registration request letter to company with example - Aug 27 2022

web jan 30 2023 here is an example on one letter requesting suppliers registration dear name me am writing to introduce myself and my company name we specialize in products services offered and have been are business for number years

**vendor registration request letter sample pdf** - Jun 24 2022

web vendor registration request mail sample liberate download as pdf record pdf text file txt or read view for free scribd is the world s largest sociable reading and publishing site open navigate menu close suggestions search search en change language close menu language

**email sample for vendor registration how to write an effective** - Feb 18 2022

web jun 14 2023 a vendor registration email sample serves as a tool for businesses to invite vendors to register their services products or goods for consideration it outlines the necessary steps instructions and required documentation that the

vendor needs to provide to complete the registration process

[free vendor registration forms smartsheet](#) - Mar 02 2023

web aug 5 2020 enter company contact company overview banking information and certification sign off to register for an event or conference upload a logo to personalize this easily fillable vendor registration form download sample vendor registration form word google docs pdf smartsheet

**vendor letters in english** - Apr 22 2022

web jun 15 2021 vendor registration request letter sample request letter for vendor registration june 18 2021 to the manager name of the company address of the company date subject request for vendor registration dear sir madam with reference to order no order number

**free 8 vendor registration forms in pdf excel ms word** - May 24 2022

web vendor registration application form bankofmaldives com mv details file format pdf size 1 mb download vendor registration supplemental disclosure nj gov details file format pdf size 483 kb download

**10 vendor application templates free sample example** - Nov 29 2022

web the vendor application templates can be of the following types vendor registration template this registration form allows vendor to register for your business in order to sell their products using the platform vendor assessment template this template allows businesses to assess vendors CÕ ability and the associated risks of dealing with

**vendor registration request letter sample pdf scribd** - Jul 06 2023

web vendor registration request letter sample free download as pdf file pdf text file txt or read online for free

**vendor registration form world trade organization** - Dec 31 2022

web vendor registration form please complete in full type or print in ink section 1 company details and general information 1 name of company 2 address 3 telephone number 4 fax number 5 e mail address 6 web site address 7 name title of company representative 8 direct e mail address of company representative 9

**vendor registration request letter to company sample draft** - Oct 29 2022

web freely download this sample quotation approval letter looking to register as a vendor our comprehensive guide provides a sample vendor registration request letter to company draft details and steps for vendor approval don t wait apply now

**effective vendor registration request email sample a** - Apr 03 2023

web may 29 2023 contents show the best structure for vendor registration request email sample when you re seeking out vendors for your business a vendor registration request email is a vital first step the email s structure and format set the tone for your business interactions and can make or break your vendor relationships

**vendor registration form template typeform** - Jul 26 2022

web 1500 templates 120 integrations online order form template sell products and vouchers online with a custom order form job requisition form template speed up the hiring process with this internal request form for managers

*seller registration for booths form template jotform* - Mar 22 2022

web vendor information form a vendor information form is a document used to gather fundamental data about a potential vendor or supplier a company can then use the information gathered to select a vendor this vendor information form template includes form fields for the company or vendor name their contact details business organization

**10 examples of effective vendor registration email samples for** - Sep 27 2022

web may 22 2023 a vendor registration email sample is a template that vendors can use to register their business with a company it typically includes information such as the vendor s name address contact information and products or services offered

**vendor registration request letter until company with example** - Jun 05 2023

web jan 30 2023 here is an example in a letter requesting vendor registration dear name i am writing to introduce myself real mine company name we specialize includes products services offered and have been include trade for number years i am text to request this opportunity to register the a distributor for your company

*fleurs captives 3 bouquet d a c pines stage gapinc* - Mar 29 2023

web fleurs captives 3 bouquet d a c pines 1 fleurs captives 3 bouquet d a c pines les livres disponibles livres de france the french principia 3 pt and key in 8 pt pt 2 3

fleurs captives t3 bouquet d epines littÉrature abebooks - May 31 2023

web bouquet d epines fleurs captives littÃ rature Ã trangÃ re by andrews virginia c and a great selection of related books art and collectibles available now at

**bouquet d epines fleurs captives littÉrature** - Dec 26 2022

web fleurs captives tome 3 bouquet d épines by virginia c andrews captives doccasion plus que 4 exemplaires 65 april 18th 2020 77324 bouquet d épines fleurs captives

*bouquet depines fleurs captives by andrews virginia abebooks* - Jul 01 2023

web abebooks com fleurs captives t3 bouquet d epines littÉrature ÉtrangÈre 9782290113509 by virginia c andrews and a great selection of similar new used and

fleurs captives 3 bouquet d a c pines copy uniport edu - May 19 2022

web jun 6 2023 fleurs captives tome 3 bouquet d épines by virginia c cleo andrews as one of the greater part functioning sellers here will completely be paired with by the best

bouquet d épines fleurs captives 3 famille dallenganger - Oct 04 2023

web bouquet d épines fleurs captives 3 famille dallenganger by andrews virginia c publication date 1982 publisher paris j ai lu collection inlibrary printdisabled

**fleurs captives 3 bouquet d a c pines data northitalia** - Feb 25 2023

web fleurs captives tome 3 bouquet d a c pines this is likewise one of the factors by obtaining the soft documents of this fleurs captives tome 3 bouquet d a c pines by

**bouquet d épines fleurs captives tome 3 french edition** - Aug 02 2023

web fleurs captives 3 bouquet d épines by virginia c andrews and a great selection of related books art and collectibles available now at abebooks com

**bouquet d a c pines fleurs captives pdf pdf black ortax** - Jun 19 2022

web mar 28 2023 fleurs captives 3 bouquet d a c pines 1 5 downloaded from uniport edu ng on march 28 2023 by guest fleurs captives 3 bouquet d a c pines

**fleurs captives tome 3 bouquet d a c pines copy thegreenroute** - Oct 24 2022

web fleurs captives 3 bouquet d a c pines right here we have countless books fleurs captives 3 bouquet d a c pines and collections to check out we additionally come up

*fleurs captives tome 3 bouquet d épines by virginia c cleo* - Apr 17 2022

web bouquet d a c pines fleurs captives 5 5 main chapters deal with a particular species or group of species all categories of food plants are covered including cereals oilseeds

**downloadable free pdfs fleurs captives 3 bouquet d a c pines** - Jul 21 2022

web bouquet d a c pines fleurs captives pdf pages 4 15 bouquet d a c pines fleurs captives pdf upload dona d robertson 4 15 downloaded from black ortax org on

*fleurs captives tome 3 bouquet d épines booknode* - Dec 14 2021

web cathy vient de s installer dans une grande maison en compagnie de son frère et de ses deux jeunes fils bart et jory ensemble ils mènent la vie d une famille modèle essayant

**vente d arbustes caducs sur grandiflora jardinerie en ligne** - Feb 13 2022

web un arbuste à feuillage caduc se caractérise par la perte de ses feuilles en hiver avant de tomber les feuilles caduques se colorent d une magnifique teinte flamboyante

[bouquet d a c pines fleurs captives pdf vps huratips](#) - Aug 22 2022

web fleurs captives 3 bouquet d a c pines fruehlingsblumen spring flowers mar 09 2023 photographing your flowers mar 29 2022 palmer s index to the times newspaper

**bouquet d a c pines fleurs captives pdf stage gapinc** - Mar 17 2022

web retrouvez notre sélection d arbustes caducs les arbustes caducs perdent leurs feuilles en hiver mais offrent de nombreux avantages au jardin grâce à la grande variété de fleurs

**fleurs captives tome 3 bouquet d a c pines** - Jan 27 2023

web abebooks com bouquet d epines fleurs captives littérature Étrangère 9782277213505 by andrews virginia c and a great selection of similar new used and collectible books available now at great prices

**fleurs captives bouquet depines by virginia c andrews** - Apr 29 2023

web fleurs captives 3 bouquet d a c pines 5 5 brette bod books on demand il y a des vies dont vaut mieux ne jamais se souvenir elle l apprendra à ses dépens elle se

**fleurs captives 3 bouquet d a c pines rigby** - Sep 22 2022

web 4 bouquet d a c pines fleurs captives 2023 04 13 and immensely uplifting novel about lovers fathers and sons if you love the vanishing half shuggie bain or moonlight then

**fleurs captives tome 3 bouquet d épines babelio** - Sep 03 2023

web apr 12 2023 bouquet d épines est le troisième des cinq tomes de fleurs captives la saga culte de virginia andrews traduite dans une dizaine de langues et vendue à cinq

fleurs captives tome 3 bouquet d épines by virginia c andrews - Nov 24 2022

web bouquet d épines fleurs captives tome 3 simon and schuster i will probably be clutching flowers in the attic in my gnarled hands on my deathbed gillian flynn

**arbuste caduc liste ooreka** - Jan 15 2022

web découvrez le livre fleurs captives tome 3 bouquet d épines lu par 484 membres de la communauté booknode 29 commentaires et 19 extraits découvrez le livre fleurs

fleurs captives tome 3 bouquet d épines livre de virginia c - Nov 12 2021

**free mondo text level correlation chart cyberlab sutd edu sg** - Oct 04 2022

web mondo text level correlation chart python for data analysis may 11 2022 get complete instructions for manipulating processing cleaning and crunching datasets in python

text level correlation chart saint paul public schools - Aug 14 2023

web this table shows how these levels correlates to mondo bookshop and district assessments 1 mondo bookshop new york ny mondo publishing 2008 2 fountas and pinnell

mondo text level correlation chart pdf ftp bonide - Mar 09 2023

web he clarifies key concepts such as inference correlation and regression analysis reveals how biased or careless parties



can manipulate or misrepresent data and shows us how

[mondo text level correlation chart pdf uniport edu](#) - Dec 06 2022

web jun 18 2023 mondo text level correlation chart by online you might not require more get older to spend to go to the books introduction as well as search for them in some

[mondo font fontspring](#) - Feb 25 2022

web demos unavailable mondo family designed by rodrigo fuentes mondo is a display sans and sans serif font family this typeface has twenty styles and was published by untype

[mondo text level correlation chart pdf gccu eu](#) - Apr 29 2022

web mar 20 2023 assesses reading ability at emergent though high school levels it includes both narrative and expository passages at each grade level questions to assess prior

[mondo text level correlation chart pdf](#) - May 11 2023

web 4 mondo text level correlation chart 2022 10 09 signification and of clarifying the ontological boundaries set forth by different modalities it is a new and original study

[mondo spanish to english translation spanishdictionary com](#) - Sep 22 2021

web 1 cabeza completely shorn 2 sin añadidura plain el asunto mondo es esto the plain fact of the matter is this tiene su sueldo mondo y nada más he has just what he earns

[mondo text level correlation chart iriss ac](#) - Jul 13 2023

web text multi categorization method based on fuzzy correlation analysis pc mag a semiotics of multimodality and signification in the divine comedy mondo text level

**mondo text level correlation chart pdf copy** - Aug 02 2022

web may 22 2023 mondo text level correlation chart pdf is clear in our digital library an online entrance to it is set as public correspondingly you can download it instantly our

[mondo text level correlation chart festival raindance](#) - Jul 01 2022

web mondo text level correlation chart but end up in harmful downloads it shall not approve frequently as we alert before along with instructions you could indulge in the present is

**mondo definition meaning dictionary com** - Nov 24 2021

web mondo definition a question to a student for which an immediate answer is demanded the spontaneity of which is often illuminating see more

**mondo Перевод на русский примеры итальянский reverso** - Oct 24 2021

web Перевод mondo на русский Сущ Прил un altro appena nato ha un primo assaggio di un mondo pericoloso Ещё одна

ящерка бросает первый взгляд на этот опасный

[mondo text level correlation chart ta nehisi coates copy](#) - Mar 29 2022

web feb 26 2023 we meet the expense of mondo text level correlation chart and numerous ebook collections from fictions to scientific research in any way among them

*mondo text level correlation chart pdf uniport edu* - Sep 03 2022

web mondo text level correlation chart 2 16 downloaded from uniport edu ng on march 23 2023 by guest the digital dialectic peter lunenfeld 2000 how our visual and intellectual

**mondo text level correlation chart pdf download only tax** - Feb 08 2023

web mondo text level correlation chart pdf pages 2 19 mondo text level correlation chart pdf upload mita k ferguson 2 19 downloaded from tax clone ortax org on

[solution text correlation chart with mondo 2 studypool](#) - Jun 12 2023

web lexiles are approximate and from column on text rangethis table shows how these levels correlates to mondo bookshop and district assessments

[read free mondo text level correlation chart](#) - May 31 2022

web mondo text level correlation chart advances in automatic text summarization oct 26 2020 ntil now there has been no state of the art collection of themost important writings

*mondo text level correlation chart thebookee net* - Apr 10 2023

web correlation chart text level docx text level correlation chart 1 fountas and pinnell levels 4 benchmark levels 5 star reading accelerated reader 6

**mondo text level correlation chart pdf book** - Nov 05 2022

web jun 22 2023 mondo text level correlation chart pdf is available in our digital library an online access to it is set as public so you can get it instantly our digital library spans in

**mondotextlevelcorrelationchart 2022 ssh medtomarket** - Jan 27 2022

web leveled books k 8 simon and schuster digicat publishing presents to you this special edition of the once and future king by t h white digicat publishing considers every

*mondo text level correlation chart copy* - Jan 07 2023

web mondo text level correlation chart read write inc phonics handbook jun 22 2022 this is the teacher s handbook introducing read write inc phonics a synthetic phonics

*mondo in japanese how to use mondo in japanese learn* - Dec 26 2021

web apr 9 2023 do you know mondo in japanese how to use mondo in japanese and how to say mondo in japanese how to

write mondo in japanese now let s learn how to