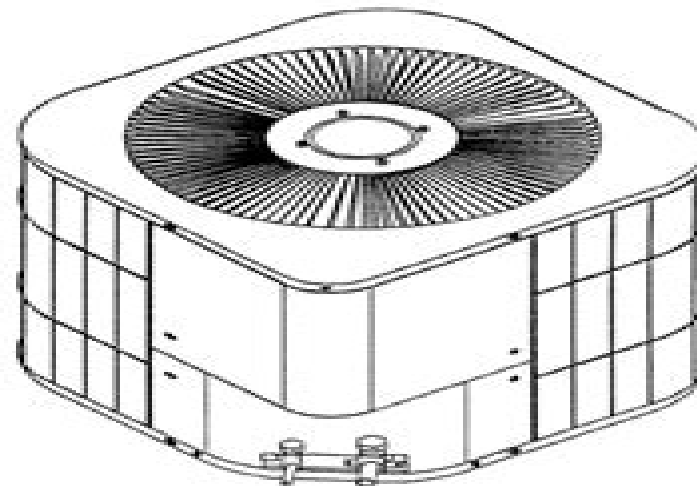


# INSTALLATION & OPERATING INSTRUCTIONS

HAVE YOU DISCUSSED WITH YOUR  
INSTALLING CONTRACTOR THE  
OPTIONAL \$ 300.00 2<sup>ND</sup> THROUGH  
5<sup>TH</sup> YEAR COMPRESSOR LABOR  
ALLOWANCE PROGRAM?

*For The United States and Canada only*



## CK - SERIES CONDENSING UNIT

Goodman Manufacturing Co., L.P.  
1501 Searnist, Houston, Texas 77008  
(713) 861-2500

# Goodman Ck Manual

**Tobias Bleicker**



## **Goodman Ck Manual:**

Eventually, you will completely discover a new experience and endowment by spending more cash. still when? get you acknowledge that you require to get those every needs taking into account having significantly cash? Why dont you try to acquire something basic in the beginning? Thats something that will lead you to comprehend even more as regards the globe, experience, some places, in the same way as history, amusement, and a lot more?

It is your certainly own epoch to deed reviewing habit. accompanied by guides you could enjoy now is **Goodman Ck Manual** below.

[https://staging.conocer.cide.edu/public/browse/HomePages/Hockenbury\\_Psychology\\_6th\\_Edition\\_Launchpad.pdf](https://staging.conocer.cide.edu/public/browse/HomePages/Hockenbury_Psychology_6th_Edition_Launchpad.pdf)

## **Table of Contents Goodman Ck Manual**

1. Understanding the eBook Goodman Ck Manual
  - The Rise of Digital Reading Goodman Ck Manual
  - Advantages of eBooks Over Traditional Books
2. Identifying Goodman Ck Manual
  - Exploring Different Genres
  - Considering Fiction vs. Non-Fiction
  - Determining Your Reading Goals
3. Choosing the Right eBook Platform
  - Popular eBook Platforms
  - Features to Look for in an Goodman Ck Manual
  - User-Friendly Interface
4. Exploring eBook Recommendations from Goodman Ck Manual
  - Personalized Recommendations
  - Goodman Ck Manual User Reviews and Ratings
  - Goodman Ck Manual and Bestseller Lists
5. Accessing Goodman Ck Manual Free and Paid eBooks

- Goodman Ck Manual Public Domain eBooks
  - Goodman Ck Manual eBook Subscription Services
  - Goodman Ck Manual Budget-Friendly Options
6. Navigating Goodman Ck Manual eBook Formats
    - ePub, PDF, MOBI, and More
    - Goodman Ck Manual Compatibility with Devices
    - Goodman Ck Manual Enhanced eBook Features
  7. Enhancing Your Reading Experience
    - Adjustable Fonts and Text Sizes of Goodman Ck Manual
    - Highlighting and Note-Taking Goodman Ck Manual
    - Interactive Elements Goodman Ck Manual
  8. Staying Engaged with Goodman Ck Manual
    - Joining Online Reading Communities
    - Participating in Virtual Book Clubs
    - Following Authors and Publishers Goodman Ck Manual
  9. Balancing eBooks and Physical Books Goodman Ck Manual
    - Benefits of a Digital Library
    - Creating a Diverse Reading Collection Goodman Ck Manual
  10. Overcoming Reading Challenges
    - Dealing with Digital Eye Strain
    - Minimizing Distractions
    - Managing Screen Time
  11. Cultivating a Reading Routine Goodman Ck Manual
    - Setting Reading Goals Goodman Ck Manual
    - Carving Out Dedicated Reading Time
  12. Sourcing Reliable Information of Goodman Ck Manual
    - Fact-Checking eBook Content of Goodman Ck Manual
    - Distinguishing Credible Sources
  13. Promoting Lifelong Learning
    - Utilizing eBooks for Skill Development

- Exploring Educational eBooks
- 14. Embracing eBook Trends
  - Integration of Multimedia Elements
  - Interactive and Gamified eBooks

### **Goodman Ck Manual Introduction**

In the digital age, access to information has become easier than ever before. The ability to download Goodman Ck Manual has revolutionized the way we consume written content. Whether you are a student looking for course material, an avid reader searching for your next favorite book, or a professional seeking research papers, the option to download Goodman Ck Manual has opened up a world of possibilities. Downloading Goodman Ck Manual provides numerous advantages over physical copies of books and documents. Firstly, it is incredibly convenient. Gone are the days of carrying around heavy textbooks or bulky folders filled with papers. With the click of a button, you can gain immediate access to valuable resources on any device. This convenience allows for efficient studying, researching, and reading on the go. Moreover, the cost-effective nature of downloading Goodman Ck Manual has democratized knowledge. Traditional books and academic journals can be expensive, making it difficult for individuals with limited financial resources to access information. By offering free PDF downloads, publishers and authors are enabling a wider audience to benefit from their work. This inclusivity promotes equal opportunities for learning and personal growth. There are numerous websites and platforms where individuals can download Goodman Ck Manual. These websites range from academic databases offering research papers and journals to online libraries with an expansive collection of books from various genres. Many authors and publishers also upload their work to specific websites, granting readers access to their content without any charge. These platforms not only provide access to existing literature but also serve as an excellent platform for undiscovered authors to share their work with the world. However, it is essential to be cautious while downloading Goodman Ck Manual. Some websites may offer pirated or illegally obtained copies of copyrighted material. Engaging in such activities not only violates copyright laws but also undermines the efforts of authors, publishers, and researchers. To ensure ethical downloading, it is advisable to utilize reputable websites that prioritize the legal distribution of content. When downloading Goodman Ck Manual, users should also consider the potential security risks associated with online platforms. Malicious actors may exploit vulnerabilities in unprotected websites to distribute malware or steal personal information. To protect themselves, individuals should ensure their devices have reliable antivirus software installed and validate the legitimacy of the websites they are downloading from. In conclusion, the ability to download Goodman Ck Manual has transformed the way we access information. With the convenience, cost-effectiveness, and accessibility it offers, free PDF downloads have become a popular choice for students,

researchers, and book lovers worldwide. However, it is crucial to engage in ethical downloading practices and prioritize personal security when utilizing online platforms. By doing so, individuals can make the most of the vast array of free PDF resources available and embark on a journey of continuous learning and intellectual growth.

### **FAQs About Goodman Ck Manual Books**

How do I know which eBook platform is the best for me? Finding the best eBook platform depends on your reading preferences and device compatibility. Research different platforms, read user reviews, and explore their features before making a choice. Are free eBooks of good quality? Yes, many reputable platforms offer high-quality free eBooks, including classics and public domain works. However, make sure to verify the source to ensure the eBook credibility. Can I read eBooks without an eReader? Absolutely! Most eBook platforms offer web-based readers or mobile apps that allow you to read eBooks on your computer, tablet, or smartphone. How do I avoid digital eye strain while reading eBooks? To prevent digital eye strain, take regular breaks, adjust the font size and background color, and ensure proper lighting while reading eBooks. What the advantage of interactive eBooks? Interactive eBooks incorporate multimedia elements, quizzes, and activities, enhancing the reader engagement and providing a more immersive learning experience. Goodman Ck Manual is one of the best book in our library for free trial. We provide copy of Goodman Ck Manual in digital format, so the resources that you find are reliable. There are also many Ebooks of related with Goodman Ck Manual. Where to download Goodman Ck Manual online for free? Are you looking for Goodman Ck Manual PDF? This is definitely going to save you time and cash in something you should think about.

### **Find Goodman Ck Manual :**

*hockenbury psychology 6th edition launchpad*

**hitachi l32s504 tv service manual**

*hitachi ex45-2 excavator parts catalog manual*

*hofmann geodyna 40 user manual*

[hitachi 5500 manual](#)

*hitachi zaxis 27u 30u 35u excavator service manual set*

[hitachi 3k8 storage owners manual](#)

[hitachi air conditioner operating manual](#)

*hitachi microwave cookbook*

[hitachi pa0148 53sbx10b projection color television repair manual](#)

**hitachi workshop manual**

~~hofmann 660 brake lathe parts manual~~

**hitachi le46s704 tv service manual**

[hitachi ex400 3 ex400lc 3 ex400h 3 operators manual](#)

*hitachi 50v500a projection tv parts list manual*

### **Goodman Ck Manual :**

*2 5 ion formation chemistry libretexts* - Sep 22 2023

web the atoms of a polyatomic ion are tightly bonded together and so the entire ion behaves as a single unit the figures below show several examples figure pageindex 1 the ammonium ion left ce nh 4 right is a nitrogen atom blue bonded to four hydrogen atoms white

**formation of ionic compounds practice questions with answers** - Jul 08 2022

web we studied in ionic bond how ionic compounds are formed now it's your turn to try to answer some questions if you have any difficulty understanding the answers please read our explanation of formation of sodium chloride explain the formation of calcium fluoride caf 2 answer use lewis symbols to show electron transfer between magnesium

*3 e ionic bonding and simple ionic compounds exercises i* - May 18 2023

web use lewis diagrams to illustrate the formation of an ionic compound from a potassium atom and an iodine atom when the following atoms become ions what charges do they acquire li

**4 9 ion formation chemistry libretexts** - Jul 20 2023

web an atom that has gained or lost one or more electrons is called an ion an ion always has a charge that is positive or negative an ion with a positive charge is called a cation while an ion with a negative charge is called an anion

[gcse ions formation and drawing ions worksheets with answers](#) - Oct 11 2022

web oct 30 2023 gcse ions formation and drawing ions worksheets with answers subject chemistry age range 14 16 resource type worksheet activity file previews pptx 660 43 kb brilliant differentiated worksheets with answers 17 worksheets in total including the answers 10 activities in total

**forming ions ionic compounds aqa gcse combined** - Jun 19 2023

web ions form when atoms lose or gain electrons close electron subatomic particle with a negative charge and a negligible mass relative to protons and neutrons to obtain a full outer shell



[3 5 formation of ions and ionic compounds chemistry libretexts](#) - Oct 23 2023

web give the symbol and name for the ion with 34 protons and 36 electrons answer se 2 the selenide ion

[ion formation phet contribution](#) - Apr 17 2023

web jan 2 2017 ion formation description through a guided inquiry process students will be able to compare and contrast between positive ion negative ion and neutral atom and detect the changes that occur to the element concerning the proton number and electron number an introduction to ionic bonding

[ion definition chemistry examples facts britannica](#) - Jan 14 2023

web nov 10 2023 ions are formed by the addition of electrons to or the removal of electrons from neutral atoms or molecules or other ions by combination of ions with other particles or by rupture of a covalent bond between two atoms in such a way that both of the electrons of the bond are left in association with one of the formerly bonded atoms

[solubility and complex ion formation video khan academy](#) - Dec 13 2022

web so the formation of a complex ion is a lewis acid base reaction and notice the equilibrium constant for this 1 6 times 10 to the seventh  $K_f$  is called the formation constant this is a very high value for the equilibrium constant so the equilibrium lies to the right and this a stable complex ion

[ions formation types charge video lesson transcript](#) - Mar 16 2023

web jan 20 2022 learn about ion formation understand how do cations form when ions are formed how does an atom becomes anion and do cations gain or lose electrons updated 01 20 2022

[formation of ions home learning worksheet gcse](#) - Jun 07 2022

web aug 25 2022 a revision homework or class worksheet with answers that covers formation of ions in c2 gcse chemistry including a variety of questions filling in gaps and drawing electronic structures get 20 off this resource with the discount code extra20 formation of ions home learning worksheet gcse tes bundles

**ion formations 333 plays quizizz** - Apr 05 2022

web 1 pt what is a cation a negatively charged ion an atom with no charge a positively charged ion a stable atom on the periodic table multiple choice 30 seconds 1 pt what is an anion a negatively charged particle an atom with no charge a positively charged ion a stable atom found on the periodic table explore all questions with a free account

[formation of ionic compounds practice khan academy](#) - Nov 12 2022

web course class 10 chemistry india unit 3 lesson 4 metals reacting with nonmetals ionic bonds reaction of metals non metals identify ions present in ionic compounds formation of ionic compounds science class 10 chemistry india metals and non metals metals reacting with nonmetals

**ions worksheet whs rocklinusd org** - May 06 2022

web ions worksheet element valence electrons electrons to gain electrons to lose ion formed name li 1 none 1 li 1 cation n 5 3 none n 3 anion o ca br s cl k mg be questions 1 if li loses an electron to another atom why does it

*introduction to ions video khan academy* - Feb 15 2023

web so basing on my understanding of this so far an atom is an element that has the same number of protons and neutrons an ion is an element that has different numbers of protons and electrons an ion is positive when it has more protons than electrons and negative when it has more electrons than ions while isotopes are the same element with

formation of ions 86 plays quizizz - Mar 04 2022

web formation of ions quiz for 8th grade students find other quizzes for chemistry and more on quizizz for free

**section 7 1 ionic compounds and metals ion formation** - Sep 10 2022

web study with quizlet and memorize flashcards containing terms like the force that holds two atoms together is called a chemical bond attraction can be formed by a positively charged of one atom for the negatively charged chemical bonds can also be formed by the attraction of charged atoms called and more

**3 2 ions chemistry libretexts** - Aug 21 2023

web figure pageindex 2 the formation of a chlorine ion on the left the chlorine atom has 17 electrons on the right the chloride ion has 18 electrons and has a 1 charge with two oppositely charged ions there is an electrostatic attraction between them because opposite charges attract

**how to write the formation of ions byju s** - Aug 09 2022

web solution ions are formed by either doanting an electron or accepting an electron a positive ion is formed by donating electron eg n a n a e a negative ion is formed by accpeting an electron eg cl e cl suggest corrections

auditing and assurance services 13e arens - Apr 02 2022

web auditing and assurance services 13e arens produk ini juga tersedia di maaf sementara tidak ada ulasan untuk produk ini 1 getting organized at work zeigler the 90 minute manager business les eva and value based management a p jl raya lenteng agung no 101 jagakarsa jakarta selatan 12610 senin jumat 08 00 17 00

**solution manual auditing and assurance services 13e by arens studocu** - Mar 13 2023

web solution manual auditing and assurance services 13e by arens chapter 01 solution manual auditing and assurance services 13e by arens 03 chapter related studylists audit aas1 preview text chapter 23 audit of cash balances review questions

**solution manual auditing and assurance services 13e by arens** - Jun 16 2023

web solution manual auditing and assurance services 13e by arens chapter 19 free download as pdf file pdf text file txt or read online for free the relationship among audit services attestation services and assurance services is reflected in figure 1

3 on page 12 of the text

**solution manual auditing and assurance services 13e by arens** - May 15 2023

web solution manual auditing and assurance services 13e by arens chapter 15 free download as pdf file pdf text file txt or read online for free solution manual arens chapter 15

**arens auditing and assurance services 13e pdf scribd** - Sep 19 2023

web arens auditing and assurance services 13e free download as word doc doc pdf file pdf text file txt or read online for free edu cash audit

[solution manual auditing and assurance services 13e by arens](#) - Nov 09 2022

web solution manual auditing and assurance services 13e by arens chapter 01 related studylists aas1 audit preview text chapter 20 audit of the payroll and personnel cycle review questions 20 1 general ledger accounts that are likely to be affected by the payroll and personnel cycle in most audits include the following

**auditing and assurance services 13e by arens chapter 19** - Jul 17 2023

web listed books auditing and assurance services an integrated approach auditing and assurance services understanding the integrated audit auditing the art and science of assurance engagements modern auditing assurance services and the integrity of financial reporting auditing and assurance services

**auditing and assurance services an integrated approach 13 e** - Apr 14 2023

web auditing and assurance services an integrated approach is an introduction to auditing and other assurance services it is intended for either a one quarter or one semester course at undergraduate or graduate level this book is also appropriate for introductory professional development course for cpa firms internal auditors and government auditors

**auditing and assurance services chapter 13 tb pdf scribd** - Feb 12 2023

web auditing and assurance services chapter 13 tb free download as word doc doc pdf file pdf text file txt or read online for free auditing the inventory management process chapter 13 test bank auditing the inventory management process chapter 13 test bank open navigation menu

*solution manual auditing and assurance services 13e by arens studocu* - Dec 10 2022

web feb 20 2008 solution manual auditing and assurance services 13e by arens chapter 01 3 1 auditor s reports are important to users of financial statements because they inform users of the auditor s opinion as to whether or not the statements are fairly stated or whether no conclusion can be made with regard to the fairness of their presentation

**solution manual auditing and assurance services 13e by arens** - Aug 18 2023

web solution manual auditing and assurance services 13e by arens chapter 18 free download as pdf file pdf text file txt or read online for free scribd is the world s largest social reading and publishing site

**solution manual auditing and assurance services 13e by arens** - Sep 07 2022

web sep 10 2022 short description download solution manual auditing and assurance services 13e by arens chapter 14 description idad l 55 3 2 diutedf a fu i uletefh fl ssur fmc crvemcs 0 c oy rcfs mb pctr mb pctr 0 uletefh r3ófh ĞÆe bêm oàmb gbd bì fõe tuldmu es fdt spdfsdrcl dr cfldrscl oy fy mdiichc dr ufevcrsety ldwfid lcl oy

**auditing and assurance services international 3rd edition eilifsen** - Aug 06 2022

web apr 16 2019 the auditor s planning process is a written plan that sets forth the overall audit strategy and the nature extent and timing of the audit work 1 11 the elements of the audit report with an

**auditing and assurance services 13e pdf uniport edu** - Jan 31 2022

web may 3 2023 dynamic auditing benjamin marx 2002 12 01 auditing and assurance services alvin a arens 2017 for the core auditing course for accounting majors an integrated up to date approach to auditing and assurance services comprehensive and up to date including discussion of new standards codes and concepts auditing

auditing and assurance services 13e pdf uniport edu - Mar 01 2022

web may 29 2023 provides auditors with the guidance they need to ensure that their systems are secure from both internal and external threats principles of auditing other assurance services ray whittington 2015 01 20 the 20th edition of principles of auditing other assurance services provides a carefully balanced presentation of auditing

*test bank with answers for auditing and assurance services 13e* - May 03 2022

web in the audit of historical financial statements which of the following accounting bases is the most common c a regulatory accounting principles b cash basis of accounting c generally accepted accounting principles d liquidation basis of accounting 3 easy

solution manual auditing and assurance services 13e by arens - Oct 08 2022

web solution manual auditing and assurance services 13e by arens 11 chapter chapter 11 fraud auditing studocu to download more slides ebook solutions and test bank visit chapter 11 fraud auditing review questions fraudulent financial reporting is an intentional dismisstry ask an expert ask an expert sign inregister sign inregister home

*solution manual auditing and assurance services 13e by arens* - Jun 04 2022

web students shared 125 documents in this course solution manual auditing and services 2e by louwers modh operating management review the internal auditors should adopt a participatory or problem solving approach in reviewing audit findings and making recommendations to the department being reviewed

**solution manual auditing and assurance services 13e by arens studocu** - Jul 05 2022

web chapter 25 other assurance services and nonassurance services review questions 25 1 levels of assurance represent the degree of certainty the practitioner has attained and wishes to convey that the conclusions stated in his or her report are

correct

**solution manual auditing and assurance services 13e by arens** - Jan 11 2023

web solution manual auditing and assurance services 13e by arens chapter 11 free download as pdf file pdf text file txt or read online for free scribd is the world s largest social reading and publishing site

**carte dã partements corrèze dordogne n 329 by collectif michelin** - Mar 30 2022

web routes nationales et departementales ainsi que les plans de villes de périgueux tulle et brive la gaillarde cartes et atlas michelin trouvez bien plus que votre

**carte da partements corra ze dordogne na 329 pdf 2023** - Apr 11 2023

web revelation carte da partements corra ze dordogne na 329 pdf that you are looking for it will entirely squander the time however below similar to you visit this web page it will be fittingly no question simple to acquire as well as download lead carte da partements corra ze dordogne na 329 pdf it will not receive many become old as we notify

**carte da partements corra ze dordogne na 329 pdf** - Aug 03 2022

web apr 29 2023 as perception of this carte da partements corra ze dordogne na 329 can be taken as well as picked to act paleokarst p bosák 2015 06 02 prepared by some of the world s leading experts in the field this book is the first summarizing work on the origin importance and exploitation of paleokarst it offers an extensive regional survey mainly

*carte da partements corra ze dordogne na 329* - Jul 14 2023

web carte da partements corra ze dordogne na 329 spanish colonial lives jul 12 2020 on their return to new mexico from el paso after the 1680 pueblo revolt the new mexican settlers were confronted with continuous raids by hostile indians tribes disease and an inhospitable landscape in spite of this in the early and mid eighteenth century the new

carte da partements corra ze dordogne na 329 pdf uniport edu - Jun 01 2022

web mar 27 2023 now is carte da partements corra ze dordogne na 329 below haiti ron haviv 2010 06 a unique arresting and versatile document of the traumatic earthquake which hit haiti in 2010 and its aftermath encased in a cardboard box the project comprises 16 unbound posters

**carte da partements corra ze dordogne na 329 pqr uiaf gov co** - Apr 30 2022

web carte da partements corra ze dordogne na 329 below passenger rail franchising great britain parliament house of commons transport committee 2006 it is thirteen years since the railways act 1993 started the process of privatising british rail replacing it with one company owning and managing the infrastructure an open access system for

carte dã partements corrèze dordogne n 329 by collectif michelin - Sep 04 2022

web aug 1 2023 carte dã partements corrèze dordogne n 329 by collectif michelin author reserve lasd org 2023 08 01 22 47 29 subject carte dã partements corrèze dordogne n 329 by collectif michelin keywords carte dã partements corrèze dordogne

n 329 by collectif michelin created date

*Перевод carte de partie на русский verso context* - Dec 27 2021

web Перевод контекст carte de partie с французский на русский от verso context Перевод Контекст Корректор  
Синонимы Спряжение

carte da partements corra ze dordogne na 329 mark ivan - Jul 02 2022

web carte da partements corra ze dordogne na 329 this is likewise one of the factors by obtaining the soft documents of this  
carte da partements corra ze dordogne na 329 by online you might not require more become old to spend to go to the books  
opening as well as search for them in some cases you likewise accomplish not discover the

**carte da partements corra ze dordogne na 329 pdf** - Nov 06 2022

web jul 11 2023 carte da partements corra ze dordogne na 329 1 1 downloaded from uniport edu ng on july 11 2023 by  
guest carte da partements corra ze dordogne na 329 right here we have countless ebook carte da partements corra ze  
dordogne na 329 and collections to check out we additionally give variant types and with type of the books to

*home page prenotazioni on line parma* - Jan 28 2022

web prenotazione appuntamento seleziona il servizio anagrafe

carte da partements corra ze dordogne na 329 pdf download - Dec 07 2022

web carte da partements corra ze dordogne na 329 pdf pages 2 3 carte da partements corra ze dordogne na 329 pdf upload  
caliva k robertson 2 3 downloaded from dsm diabetesselfmanagement com on september 5 2023 by caliva k robertson to

**carte da partements corra ze dordogne na 329 pdf 2023** - Aug 15 2023

web carte da partements corra ze dordogne na 329 pdf 4 10 downloaded from feed api stokecoll ac uk on january 18 2023 by  
guest avec un fond cartographique entièrement remis à jour cette année la carte département corréze dordogne michelin  
vous offre une vision précise de la topographie avec

**carte da partements corra ze dordogne na 329 pdf pdf dsm** - Mar 10 2023

web carte da partements corra ze dordogne na 329 pdf pdf dsm diabetesselfmanagement com created date 9 5 2023 9 19 56  
am

carte da partements corra ze dordogne na 329 download only - May 12 2023

web explication de la carte géologique du département de la corréze les richesses industrielles dans la corréze première  
étude carte da partements corra ze dordogne na 329 downloaded from customizer monos com by guest brock randall genie  
civil fenixx cet ouvrage est une réédition numérique d un livre paru au xxe

carte da partements corra ze dordogne na 329 pdf uniport edu - Oct 05 2022

web jun 4 2023 carte da partements corra ze dordogne na 329 pdf download webpartements corra ze dordogne na 329 only

if you are registered here download and read online carte da partements corra ze dordogne na 329 pdf book file easily for everyone or every device and also carte da partements corra ze dordogne na

**carte da partements corra ze dordogne na 329 pdf pdf** - Jun 13 2023

web carte da partements corra ze dordogne na 329 pdf introduction carte da partements corra ze dordogne na 329 pdf pdf rapport à monsieur le président de la république sur les opérations de caisses d epargne ordinaires 1890 dictionnaire de géographie ancienne et moderne achille françois de meissas 1855 dordogne

*parte organizasyon* - Feb 26 2022

web neden parte organizasyon sektöründe uzun yıllardır olmanın verdiği deneyim ve güvenle organizasyonlarınızda sizden biri gibi çalışıyor ve destek oluyoruz profesyonel yaklaşımla etkinliklerinize değer katıyoruz

*carte dã partements corrèze dordogne n 329 by collectif michelin* - Feb 09 2023

web année la carte departement corrèze dordogne michelin vous offre une vision précise de la topographie avec son échelle au 1 150 000 soit 1cm 1 5km et son relief image satellite

carte dã partements corrèze dordogne n 329 by collectif michelin - Jan 08 2023

web carte dã partements corrèze dordogne n 329 by collectif michelin le live marseille aller dans les plus grandes soires april 29th 2020 ne ratez pas les nouveaux rendez vous du live le mercredi à partir de 19h les apéros party avec tapas et sushis 93 prom gees pompidou 13008 marseille full text of ernst hamburger collection 1913 1980