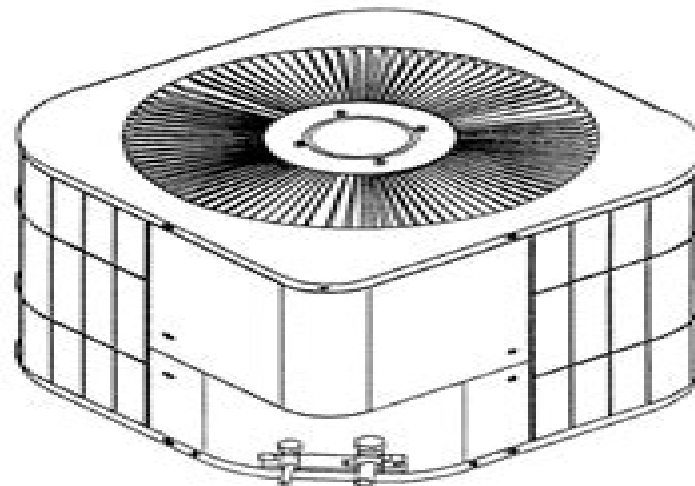


INSTALLATION & OPERATING INSTRUCTIONS

HAVE YOU DISCUSSED WITH YOUR
INSTALLING CONTRACTOR THE
OPTIONAL \$ 300.00 2ND THROUGH
5TH YEAR COMPRESSOR LABOR
ALLOWANCE PROGRAM?

For The United States and Canada only



CK - SERIES CONDENSING UNIT

Goodman Manufacturing Co., L.P.
1501 Searnist, Houston, Texas 77008
(713) 861-2500

Goodman Model Ck30 1d Manual

RJ Shavelson



Goodman Model Ck30 1d Manual:

Ignite the flame of optimism with Crafted by is motivational masterpiece, **Goodman Model Ck30 1d Manual** . In a downloadable PDF format (Download in PDF: *), this ebook is a beacon of encouragement. Download now and let the words propel you towards a brighter, more motivated tomorrow.

<https://staging.conocer.cide.edu/book/Resources/HomePages/Forgotten%20Power%20Of%20Rhythm.pdf>

Table of Contents Goodman Model Ck30 1d Manual

1. Understanding the eBook Goodman Model Ck30 1d Manual
 - The Rise of Digital Reading Goodman Model Ck30 1d Manual
 - Advantages of eBooks Over Traditional Books
2. Identifying Goodman Model Ck30 1d Manual
 - Exploring Different Genres
 - Considering Fiction vs. Non-Fiction
 - Determining Your Reading Goals
3. Choosing the Right eBook Platform
 - Popular eBook Platforms
 - Features to Look for in an Goodman Model Ck30 1d Manual
 - User-Friendly Interface
4. Exploring eBook Recommendations from Goodman Model Ck30 1d Manual
 - Personalized Recommendations
 - Goodman Model Ck30 1d Manual User Reviews and Ratings
 - Goodman Model Ck30 1d Manual and Bestseller Lists
5. Accessing Goodman Model Ck30 1d Manual Free and Paid eBooks
 - Goodman Model Ck30 1d Manual Public Domain eBooks
 - Goodman Model Ck30 1d Manual eBook Subscription Services
 - Goodman Model Ck30 1d Manual Budget-Friendly Options
6. Navigating Goodman Model Ck30 1d Manual eBook Formats

- ePub, PDF, MOBI, and More
 - Goodman Model Ck30 1d Manual Compatibility with Devices
 - Goodman Model Ck30 1d Manual Enhanced eBook Features
7. Enhancing Your Reading Experience
 - Adjustable Fonts and Text Sizes of Goodman Model Ck30 1d Manual
 - Highlighting and Note-Taking Goodman Model Ck30 1d Manual
 - Interactive Elements Goodman Model Ck30 1d Manual
 8. Staying Engaged with Goodman Model Ck30 1d Manual
 - Joining Online Reading Communities
 - Participating in Virtual Book Clubs
 - Following Authors and Publishers Goodman Model Ck30 1d Manual
 9. Balancing eBooks and Physical Books Goodman Model Ck30 1d Manual
 - Benefits of a Digital Library
 - Creating a Diverse Reading Collection Goodman Model Ck30 1d Manual
 10. Overcoming Reading Challenges
 - Dealing with Digital Eye Strain
 - Minimizing Distractions
 - Managing Screen Time
 11. Cultivating a Reading Routine Goodman Model Ck30 1d Manual
 - Setting Reading Goals Goodman Model Ck30 1d Manual
 - Carving Out Dedicated Reading Time
 12. Sourcing Reliable Information of Goodman Model Ck30 1d Manual
 - Fact-Checking eBook Content of Goodman Model Ck30 1d Manual
 - Distinguishing Credible Sources
 13. Promoting Lifelong Learning
 - Utilizing eBooks for Skill Development
 - Exploring Educational eBooks
 14. Embracing eBook Trends
 - Integration of Multimedia Elements
 - Interactive and Gamified eBooks

Goodman Model Ck30 1d Manual Introduction

In this digital age, the convenience of accessing information at our fingertips has become a necessity. Whether its research papers, eBooks, or user manuals, PDF files have become the preferred format for sharing and reading documents. However, the cost associated with purchasing PDF files can sometimes be a barrier for many individuals and organizations. Thankfully, there are numerous websites and platforms that allow users to download free PDF files legally. In this article, we will explore some of the best platforms to download free PDFs. One of the most popular platforms to download free PDF files is Project Gutenberg. This online library offers over 60,000 free eBooks that are in the public domain. From classic literature to historical documents, Project Gutenberg provides a wide range of PDF files that can be downloaded and enjoyed on various devices. The website is user-friendly and allows users to search for specific titles or browse through different categories. Another reliable platform for downloading Goodman Model Ck30 1d Manual free PDF files is Open Library. With its vast collection of over 1 million eBooks, Open Library has something for every reader. The website offers a seamless experience by providing options to borrow or download PDF files. Users simply need to create a free account to access this treasure trove of knowledge. Open Library also allows users to contribute by uploading and sharing their own PDF files, making it a collaborative platform for book enthusiasts. For those interested in academic resources, there are websites dedicated to providing free PDFs of research papers and scientific articles. One such website is Academia.edu, which allows researchers and scholars to share their work with a global audience. Users can download PDF files of research papers, theses, and dissertations covering a wide range of subjects. Academia.edu also provides a platform for discussions and networking within the academic community. When it comes to downloading Goodman Model Ck30 1d Manual free PDF files of magazines, brochures, and catalogs, Issuu is a popular choice. This digital publishing platform hosts a vast collection of publications from around the world. Users can search for specific titles or explore various categories and genres. Issuu offers a seamless reading experience with its user-friendly interface and allows users to download PDF files for offline reading. Apart from dedicated platforms, search engines also play a crucial role in finding free PDF files. Google, for instance, has an advanced search feature that allows users to filter results by file type. By specifying the file type as "PDF," users can find websites that offer free PDF downloads on a specific topic. While downloading Goodman Model Ck30 1d Manual free PDF files is convenient, its important to note that copyright laws must be respected. Always ensure that the PDF files you download are legally available for free. Many authors and publishers voluntarily provide free PDF versions of their work, but its essential to be cautious and verify the authenticity of the source before downloading Goodman Model Ck30 1d Manual. In conclusion, the internet offers numerous platforms and websites that allow users to download free PDF files legally. Whether its classic literature, research papers, or magazines, there is something for everyone. The platforms mentioned in this article, such as Project Gutenberg, Open Library, Academia.edu, and Issuu, provide access to a vast collection of PDF files. However, users

should always be cautious and verify the legality of the source before downloading Goodman Model Ck30 1d Manual any PDF files. With these platforms, the world of PDF downloads is just a click away.

FAQs About Goodman Model Ck30 1d Manual Books

What is a Goodman Model Ck30 1d Manual PDF? A PDF (Portable Document Format) is a file format developed by Adobe that preserves the layout and formatting of a document, regardless of the software, hardware, or operating system used to view or print it. **How do I create a Goodman Model Ck30 1d Manual PDF?** There are several ways to create a PDF: Use software like Adobe Acrobat, Microsoft Word, or Google Docs, which often have built-in PDF creation tools. Print to PDF: Many applications and operating systems have a "Print to PDF" option that allows you to save a document as a PDF file instead of printing it on paper. Online converters: There are various online tools that can convert different file types to PDF. **How do I edit a Goodman Model Ck30 1d Manual PDF?** Editing a PDF can be done with software like Adobe Acrobat, which allows direct editing of text, images, and other elements within the PDF. Some free tools, like PDFescape or Smallpdf, also offer basic editing capabilities. **How do I convert a Goodman Model Ck30 1d Manual PDF to another file format?** There are multiple ways to convert a PDF to another format: Use online converters like Smallpdf, Zamzar, or Adobe Acrobats export feature to convert PDFs to formats like Word, Excel, JPEG, etc. Software like Adobe Acrobat, Microsoft Word, or other PDF editors may have options to export or save PDFs in different formats. **How do I password-protect a Goodman Model Ck30 1d Manual PDF?** Most PDF editing software allows you to add password protection. In Adobe Acrobat, for instance, you can go to "File" -> "Properties" -> "Security" to set a password to restrict access or editing capabilities. Are there any free alternatives to Adobe Acrobat for working with PDFs? Yes, there are many free alternatives for working with PDFs, such as: LibreOffice: Offers PDF editing features. PDFsam: Allows splitting, merging, and editing PDFs. Foxit Reader: Provides basic PDF viewing and editing capabilities. How do I compress a PDF file? You can use online tools like Smallpdf, ILovePDF, or desktop software like Adobe Acrobat to compress PDF files without significant quality loss. Compression reduces the file size, making it easier to share and download. Can I fill out forms in a PDF file? Yes, most PDF viewers/editors like Adobe Acrobat, Preview (on Mac), or various online tools allow you to fill out forms in PDF files by selecting text fields and entering information. Are there any restrictions when working with PDFs? Some PDFs might have restrictions set by their creator, such as password protection, editing restrictions, or print restrictions. Breaking these restrictions might require specific software or tools, which may or may not be legal depending on the circumstances and local laws.

Find Goodman Model Ck30 1d Manual :

forgotten power of rhythm

foundations of education the challenge of professional practice examination copy

foundations of empire archaeology and art of the eurasian steppes

forming a new generation a practical guide for youth leaders

formal methods for vlsi design

foto hinnerk scheper ein bauhaausler als bildjournalist in debau beitraage zur stadtgeschichte

foucault cultural studies and governmentality

foucault and derrida the other side of reason

fortunes folly

forgotten railways south wales forgotten railways series

forts and castles starters facts. green 3

form and decoration innovation in the decoration arts 1470-1870

foundations of law cases commentary and ethics

foundations of developmental genetics

foundations of education for librarianship

Goodman Model Ck30 1d Manual :

bauforschung wikipedia - Oct 19 2023

web der begriff bauforscher bezeichnet eine person die sich professionell und unter kenntnis anerkannter methoden mit klassischer oder historischer bauforschung beschäftigt bauforscher sind in der regel architekten stadtplaner soziologen bauphysiker kunsthistoriker und beratende ingenieure

klassische bauforschung ai classmonitor - Nov 08 2022

web klassische bauforschung 1 klassische bauforschung architettura pubblica e privata nell italia antica dimensions journal of architectural knowledge a companion to greek art bauforschung und denkmalpflege 1 2017 wissenskulturen bedingungen wissenschaftlicher innovation stadt architekturwissenschaft vom suffix zur agenda

baugeschichte wikipedia - Jun 15 2023

web gottfried gruben klassische bauforschung hirmer münchen 2007 isbn 978 3 7774 3085 0 alexander von kienlin eine disziplin im umbruch die klassische bauforschung und das ideal noninvasiver feldarchäologie in tagungsband der koldewey

gesellschaft 2015 s 36 44

klassische bauforschung by gottfried gruben alibris - May 02 2022

web buy klassische bauforschung by gottfried gruben online at alibris we have new and used copies available in 1 editions starting at 24 75 shop now

bauforschung und baugeschichte universität bamberg - Jan 10 2023

web jun 30 2023 bauforschung und baugeschichte beschäftigen sich mit der dokumentation analyse und interpretation von bauwerken ziel ist es ein umfassendes verständnis für die räumlichen konstruktiven und sonstigen zusammenhänge am gebäude seine entstehungsbedingungen und seine veränderungs und entwicklungsgeschichte

structural assessment of ancient building components the temple - Feb 28 2022

web oxford oxbow books the artemision can probably only be achieved by inspecting once more what remains of its gruben g 1996 die entstehung des griechischen foundations in fact an archaeological re tempels in klassische bauforschung g gruben 2007 evaluation of the site now seems imperative 66 109

klassische bauforschung by gottfried gruben goodreads - Mar 12 2023

web jan 1 2007 gottfried gruben considered himself a historian who through the methods of architectural history treated the monument itself as a source paying special attention to questions of religion and art which are defining factors of greek temples

building the classical world bauforschung as a researchgate - Feb 11 2023

web jun 23 2022 request pdf building the classical world bauforschung as a contemporary approach this multiauthor volume brings together 13 chapters examining various aspects of structure and construction in

historische bauforschung studieren 3 studiengänge im - Jun 03 2022

web historische bauforschung und denkmalpflege m sc access time 4 semester 0 0 0 bewertungen tune filter sort beliebtheit sortieren nach beliebtheit meistbewertet a z studiengänge filtern clear hochschulstandort eingrenzen land ort oder plz eingeben radius wählen hochschultyp

archéologie du bâti aujourd'hui et demain bauforschung - Oct 07 2022

web 2 summarising how bauforschung has traditionally been understood in germany is a necessary preamble its roots are generally seen in the archäologische bauforschung i e research on built structures that are the subject of excavation and that may be at least partly destroyed1

klassische bauforschung december 30 2006 edition open - Sep 06 2022

web dec 30 2006 klassische bauforschung by gottfried gruben december 30 2006 hirmer verlag gmbh edition paperback in german deutsch

klassische bauforschung worldcat org - Jul 04 2022

web notes bibliogr bibliogr des oeuvres de g ruben et des sources more information notice et cote du catalogue de la bibliothèque nationale de france

klassische bauforschung worldcat org - Aug 05 2022

web worldcat is the world s largest library catalog helping you find library materials online

introduction bauforschung as a contemporary approach - Jul 16 2023

web the introductory chapter defines the scope of the work provides a historiographical sketch of bauforschung as a discipline and sets out different manifestations of this practice it shows that the scientific study of historical buildings was always characterized by the combination of structural analysis design questions and historical

klassische bauforschung german edition gruben gottfried - Dec 09 2022

web dec 1 2007 *klassische bauforschung german edition gruben gottfried* on amazon com free shipping on qualifying offers *klassische bauforschung german edition*

historische bauforschung alle studienorte im Überblick - Apr 01 2022

web du suchst nach passenden studienorten wo du historische bauforschung studieren kannst wir zeigen dir alle städte im praktischen Überblick

klassische bauforschung gottfried gruben google books - Apr 13 2023

web gottfried gruben considered himself a historian who through the methods of architectural history treated the monument itself as a source paying special attention to questions of religion and art which are defining factors of greek temples apart from thorough and detailed research and interdisciplinary discussion gruben always considered the

klassische bauforschung bryn mawr classical review - Sep 18 2023

web jul 12 2009 contents vorwort die rolle des architekten in der geschichte *klassische bauforschung die entstehung des griechischen tempels die sphinx säule von aigina griechische un ordnungen kykladische architektur anfänge des monumentalbaus auf naxos die inselionische ordnung weitgespannte marmordecken in der griechischen*

building the classical world bauforschung as a contemporary - May 14 2023

web this multiauthor volume presents thirteen case studies that showcase the scientific analytical and often archaeological study of historic buildings that is known in german as bauforschung

free klassische bauforschung - Aug 17 2023

web *klassische bauforschung zur bauforschung über spätmittelalter und frühe neuzeit* aug 01 2020 *bauforschung in quedinburg und der harzregion* mar 08 2021 *klassische bauforschung* sep 25 2022 *gottfried gruben considered himself a historian who through the methods of architectural history*

microprocessor and interfacing douglas hall 2nd edition - May 02 2022

web pdf microprocessor and interfacing douglas hall 2nd edition pdf are you searching for microprocessor and interfacing douglas hall 2nd edition books now you will be happy that at this time microprocessor and interfacing douglas hall 2nd edition pdf is available at our online library

microprocessors and interfacing douglas v hall google - Jun 15 2023

web microprocessors and interfacing author douglas v hall publisher tata mcgraw hill education private limited 2005 isbn 1283188988 9781283188982 export citation

experiments in microprocessors and interfacing programming and - Dec 29 2021

web experiments in microprocessors and interfacing programming and hardware hall douglas v on amazon com free shipping on qualifying offers

microprocessors and interfacing information center - Jan 30 2022

web instructor edition microprocessors and interfacing 3 e douglas v hall sssp rao isbn 1259006158 copyright year 2013 a microprocessor abbreviated μp is a digital electronic component with miniaturized transistors on a single semiconductor integrated circuit ic

microprocessors and interfacing revised second edition - Sep 18 2023

web douglas v hall isbn 0070601674 copyright year 2006 a microprocessor abbreviated μp is a digital electronic component with miniaturized transistors on a single semiconductor integrated circuit ic one or more microprocessors typically serve as a central processing unit cpu in a computer system or handheld device

microprocessors and interfacing programming and hardware by douglas - Mar 12 2023

web jun 1 1986 microprocessors and interfacing programming and hardware douglas v hall 4 09 517 ratings 34 reviews this text focuses on the intel 8086 family that are used in the ibm pc s and teaches students the programming system connections and interfacing of microprocessors and their peripheral devices in detail

microprocessors and interfacing by douglas v hall open library - Feb 28 2022

web sep 26 2023 microprocessors and interfacing programming and hardware 68000 version by douglas v hall and andrew l rood 4 50 4 ratings 148 want to read 23 currently reading 2 have read

buy microprocessors and interfacing programming and hardware intel - Sep 06 2022

web microprocessors and interfacing programming and hardware intel version hardcover import 30 december 1991 by douglas hall author 3 6 3 ratings see all formats and editions emi starts at 359 no cost emi available emi options save extra with 3 offers no cost emi avail no cost emi on select cards for orders above 3000 details

microprocessors interfacing by douglas v hall goodreads - Jan 10 2023

web microprocessors interfacing by douglas v hall goodreads jump to ratings and reviews want to read buy on amazon rate this book microprocessors interfacing douglas v hall 4 00 31 ratings 2 reviews free delivery if order value from the seller is greater than 399 used book in good condition no missing torn pages no stains

microprocessors and interfacing programming and hardware - Jul 16 2023

web microprocessors and interfacing programming and hardware mcgraw hill computer science series programming and hardware ibm version author douglas v hall

microprocessor and interfacing by douglas hall pdf - Apr 01 2022

web halls most popular book is microprocessors and interfacing programming and hardware microprocessors and interfacing has 150 ratings and 13 reviews this text focuses on the microprocessor and interfacing programming hardware douglas v

pdf microprocessors douglas v hall academia edu - Jun 03 2022

web see full pdf download pdf loading preview about 8051 microprocessing

pdf microprocessors and interfacing programming and - Nov 08 2022

web feb 4 2023 brief summary of book microprocessors and interfacing programming and hardware by douglas v hall here is a quick description and cover image of book microprocessors and interfacing programming and hardware written by douglas v hall which was published in june 1 1986

microprocessors and interfacing programming and hardware hall - Oct 19 2023

web microprocessors and interfacing programming and hardware by hall douglas v publication date 1986 topics

microprocessors microprocessors computer interfaces microprocesseurs interfaces informatique micro ordinateurs publisher

microprocessors and interfacing by douglas v hall open library - Dec 09 2022

web nov 13 2020 by douglas v hall and andrew l rood this text focuses on the intel 8086 family that are used in the ibm pc s and teaches students the programming system connections and interfacing of microprocessors and their peripheral devices in detail students begin with a brief introduction to computer hardware which leads to an in depth

microprocessors and interfacing programming and hardware - Feb 11 2023

web microprocessors and interfacing programming and hardware microprocessors and interfacing douglas v hall gregg division mcgraw hill 1986 computer interfaces 554 pages

microprocessors and interfacing programming and hardware - Apr 13 2023

web microprocessors and interfacing programming and hardware mcgraw hill computer science series programming and hardware ibm version author douglas v hall edition 2 reprint publisher

douglas v hall author of microprocessors and interfacing goodreads - May 14 2023

web douglas v hall is the author of microprocessors and interfacing 4 09 avg rating 517 ratings 34 reviews published 1986

microprocessors and digital

microprocessors and interfacing douglasv hall pdf - Jul 04 2022

web microprocessors and interfacing douglasv hall pdf business 76 17 8k views 606 pages microprocessors and interfacing douglasv hall uploaded by binod kumar ai enhanced title copyright attribution non commercial by nc available formats download as pdf txt or read online from scribd flag for inappropriate

microprocessors and interfacing programming and hardware - Aug 17 2023

web microprocessors and interfacing programming and hardware 68000 version by hall douglas v publication date 1993

topics microprocessors programming microprocessors computer interfaces publisher

microprocessors and interfacing programming and hardware hall - Aug 05 2022

web jan 1 1991 microprocessors and interfacing programming and hardware subsequent edition by douglas v hall author 3 6 6 ratings see all formats and editions

microprocessors and interfacing by douglas v hall open library - Oct 07 2022

web january 14 2023 history edit an edition of microprocessors and interfacing 1986 microprocessors and interfacing programming and hardware by douglas v hall and andrew l rood 4 50 4 ratings 148 want to read 23 currently reading 2

t h r barry mcgee ouvrage multilingue by barry mcgee - Apr 03 2023

web april 25th 2020 t h r barry mcgee ouvrage multilingue par autor est disponible au téléchargement en format pdf et epub ici vous pouvez accéder à des millions de livres tous les livres disponibles pour lire en

t h r barry mcgee ouvrage multilingue book - Aug 07 2023

web t h r barry mcgee ouvrage multilingue dialogic education for the internet age feb 18 2022 dialogic education for the internet age argues that despite rapid advances in communications technology most teaching still relies on traditional approaches to education built upon the logic of print and dependent on the notion that

t h r barry mcgee ouvrage multilingue pdf thegreenroute - Aug 27 2022

web 4 t h r barry mcgee ouvrage multilingue 2023 02 22 a genre at a key moment of transition while many street and graffiti artists are still challenging the orthodoxies of the public sphere an increasingly prevalent group are reshaping the field by their studio practice no longer furtively entering the institution no longer slavishly reproducing

t h r barry mcgee ouvrage multilingue relié amazon fr - Oct 09 2023

web t h r barry mcgee ouvrage multilingue mcgee barry amazon fr livres passer au contenu principal fr bonjour entrez votre adresse livres sélectionnez la section dans laquelle vous souhaitez faire votre recherche rechercher amazon fr bonjour identifiez vous compte et listes retours et commandes panier

télécharger t h r barry mcgee ouvrage multilingue de barry mcgee - Jul 06 2023

web jun 12 2022 télécharger t h r barry mcgee ouvrage multilingue télécharger le t h r barry mcgee ouvrage multilingue epub pdf txt pdb rtf fb2 audio books la ligne ci dessous sont affichées les informations complètes concernant t h r barry mcgee ouvrage multilingue le titre du livre t h r barry mcgee

barry mcgee wikipedia - Dec 31 2022

web barry mcgee born 1966 is an american artist he is known for graffiti art and a pioneer of the mission school art movement 1 mcgee is known by his monikers twist 2 ray fong 3 bernon vernon 4 and p kin

t h r barry mcgee ouvrage multilingue barry mcgee barry - Feb 01 2023

web apr 22 2012 t h r barry mcgee ouvrage multilingue mcgee barry amazon fr livres

barry mcgee rose aaron mcgee barry 9788862080965 - Apr 22 2022

web feb 28 2010 this hardcover artist s book takes the form of a visual collage incorporating photographs drawings paintings and documentation of past and present installations it is the definitive volume on a much loved artist barry mcgee was born in san francisco in 1968 and studied at the san francisco art institute

t h r barry mcgee ouvrage multilingue abebooks france - May 04 2023

web t h r barry mcgee ouvrage multilingue de mcgee barry sur abebooks fr isbn 10 8862080964 isbn 13 9788862080965 damiani 2010 couverture rigide

t h r barry mcgee ouvrage multilingue george gissing - Jun 24 2022

web t h r barry mcgee ouvrage multilingue getting the books t h r barry mcgee ouvrage multilingue now is not type of challenging means you could not deserted going later than ebook gathering or library or borrowing from your friends to right to use them this is an unconditionally easy means to specifically get lead by on line

télécharger t h r barry mcgee ouvrage multilingue gratuit - Sep 08 2023

web sep 26 2020 télécharger le t h r barry mcgee ouvrage multilingue epub pdf txt pdb rtf fb2 audio books la ligne ci dessous sont affichées les informations complètes concernant t h r barry mcgee ouvrage multilingue le titre du livre t h r barry mcgee ouvrage multilingue taille du fichier 84 78 mb format

t h r barry mcgee ouvrage multilingue by barry mcgee - Mar 22 2022

web oct 5 2023 tlcharger t h r barry mcgee ouvrage multilingue pdf april 25th 2020 t h r barry mcgee ouvrage multilingue par author est disponible au téléchargement en format pdf et epub ici vous pouvez accéder à des millions de livres tous les livres disponibles pour lire en ligne et télécharger sans avoir à payer plus

t h r barry mcgee ouvrage multilingue by barry mcgee - May 24 2022

web t h r barry mcgee ouvrage multilingue by barry mcgee les illusions calligraphiques 3d de cyril vouilloz april 29th 2020 cyril vouilloz mieux connu sous le pseudo de rylsee est captivé depuis longtemps par l art subtil de la calligraphie et grâce à

sa

t h r barry mcgee ouvrage multilingue download only - Oct 29 2022

web barry mcgee brings together the artist s graffiti work paintings installations and photography and is published on the occasion of his exhibition at the fondazione prada in italy

t h r barry mcgee ouvrage multilingue domainlookup - Mar 02 2023

web mar 24 2023 t h r barry mcgee ouvrage multilingue this is likewise one of the factors by obtaining the soft documents of this t h r barry mcgee ouvrage multilingue by online

t h r barry mcgee ouvrage multilingue 2022 ai classmonitor - Nov 29 2022

web t h r barry mcgee ouvrage multilingue 3 3 yaddo and thenew york public library this collection provides a window into the famously private institution recounting the experiences of the artists who took advantage of a bucolic retreat to tap into and mingle with

t h r barry mcgee ouvrage multilingue 2022 old syndeohro - Jul 26 2022

web 2 t h r barry mcgee ouvrage multilingue 2022 03 21 johanson with whom she shared a distinct and elusive sensibility as well as others from los angeles and her home town of new york including like phil frost mike mills and ed templeton

t h r barry mcgee ouvrage multilingue sales macktrucks com - Feb 18 2022

web 4 t h r barry mcgee ouvrage multilingue 2022 04 10 lund humphries publishers limited 2nd ed of photographs from exhibition over the past year ryan mcginley and his crew explored huge underground caves venturing into unknown territory and seeking out spectacular natural spaces some previously

télécharger t h r barry mcgee ouvrage multilingue pdf ebook barry - Sep 27 2022

web apr 29 2022 télécharger t h r barry mcgee ouvrage multilingue pdf ebook télécharger ou lisez le livre t h r barry mcgee ouvrage multilingue de ha

pdf t h r barry mcgee ouvrage multilingue - Jun 05 2023

web louisiana barry mcgee sep 29 2022 this monumental volume records more than two decades of incredible fecundity over the course of which mcgee has pioneered a new iconography of sharp street vitality and graphic snap barry mcgee apr 05 2023 a graffiti artist and tagger by nature barry mcgee has in the last few years taken a stealth