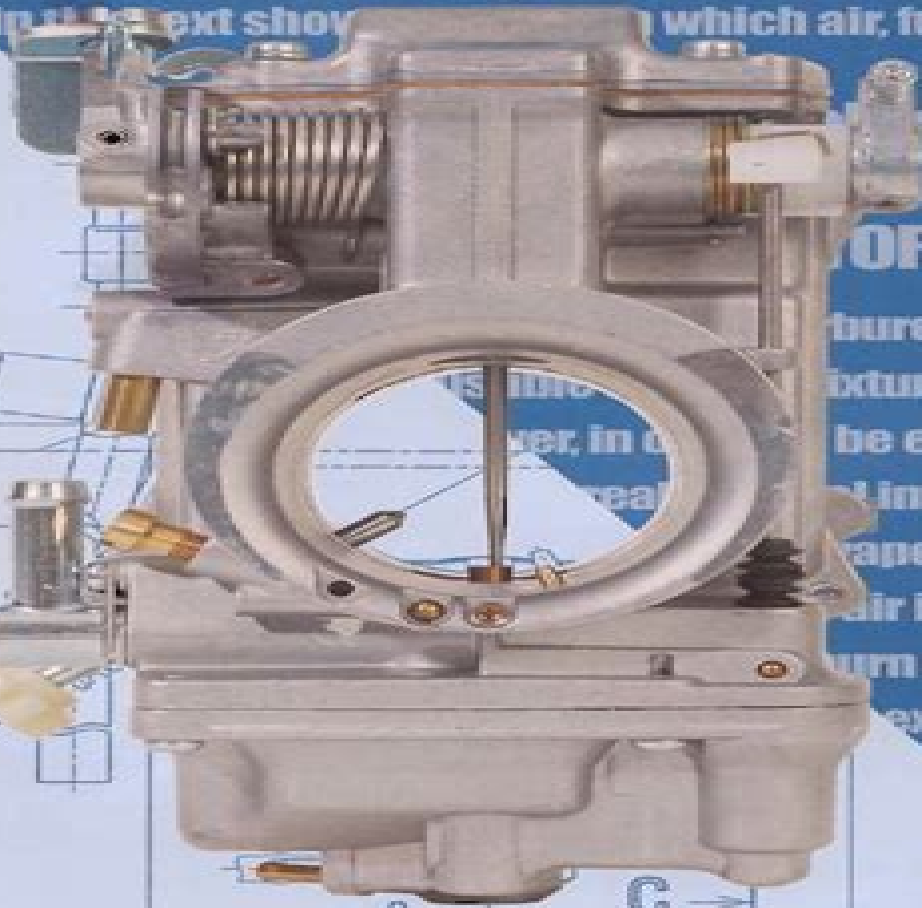


510000

This manual is intended as a guide for users of Mikuni carburetors who want to learn the basic methods of tuning and adjustment for performance and fuel economy. The arrows that appear in the diagrams in this text show the direction of flow of air, fuel, and air-fuel mixture.



M I K U N I

T U N I N G M A N U A L

4th Edition

L. THE THROTTLE VALV

Mikuni Carburetor Service Manual

D Kirk



Mikuni Carburetor Service Manual:

Uncover the mysteries within Explore with is enigmatic creation, **Mikuni Carburetor Service Manual** . This downloadable ebook, shrouded in suspense, is available in a PDF format (*). Dive into a world of uncertainty and anticipation. Download now to unravel the secrets hidden within the pages.

<https://staging.conocer.cide.edu/public/book-search/Documents/les%20ondelettes%20en%201989.pdf>

Table of Contents Mikuni Carburetor Service Manual

1. Understanding the eBook Mikuni Carburetor Service Manual
 - The Rise of Digital Reading Mikuni Carburetor Service Manual
 - Advantages of eBooks Over Traditional Books
2. Identifying Mikuni Carburetor Service Manual
 - Exploring Different Genres
 - Considering Fiction vs. Non-Fiction
 - Determining Your Reading Goals
3. Choosing the Right eBook Platform
 - Popular eBook Platforms
 - Features to Look for in an Mikuni Carburetor Service Manual
 - User-Friendly Interface
4. Exploring eBook Recommendations from Mikuni Carburetor Service Manual
 - Personalized Recommendations
 - Mikuni Carburetor Service Manual User Reviews and Ratings
 - Mikuni Carburetor Service Manual and Bestseller Lists
5. Accessing Mikuni Carburetor Service Manual Free and Paid eBooks
 - Mikuni Carburetor Service Manual Public Domain eBooks
 - Mikuni Carburetor Service Manual eBook Subscription Services
 - Mikuni Carburetor Service Manual Budget-Friendly Options
6. Navigating Mikuni Carburetor Service Manual eBook Formats

- ePub, PDF, MOBI, and More
- Mikuni Carburetor Service Manual Compatibility with Devices
- Mikuni Carburetor Service Manual Enhanced eBook Features
- 7. Enhancing Your Reading Experience
 - Adjustable Fonts and Text Sizes of Mikuni Carburetor Service Manual
 - Highlighting and Note-Taking Mikuni Carburetor Service Manual
 - Interactive Elements Mikuni Carburetor Service Manual
- 8. Staying Engaged with Mikuni Carburetor Service Manual
 - Joining Online Reading Communities
 - Participating in Virtual Book Clubs
 - Following Authors and Publishers Mikuni Carburetor Service Manual
- 9. Balancing eBooks and Physical Books Mikuni Carburetor Service Manual
 - Benefits of a Digital Library
 - Creating a Diverse Reading Collection Mikuni Carburetor Service Manual
- 10. Overcoming Reading Challenges
 - Dealing with Digital Eye Strain
 - Minimizing Distractions
 - Managing Screen Time
- 11. Cultivating a Reading Routine Mikuni Carburetor Service Manual
 - Setting Reading Goals Mikuni Carburetor Service Manual
 - Carving Out Dedicated Reading Time
- 12. Sourcing Reliable Information of Mikuni Carburetor Service Manual
 - Fact-Checking eBook Content of Mikuni Carburetor Service Manual
 - Distinguishing Credible Sources
- 13. Promoting Lifelong Learning
 - Utilizing eBooks for Skill Development
 - Exploring Educational eBooks
- 14. Embracing eBook Trends
 - Integration of Multimedia Elements
 - Interactive and Gamified eBooks

Mikuni Carburetor Service Manual Introduction

In the digital age, access to information has become easier than ever before. The ability to download Mikuni Carburetor Service Manual has revolutionized the way we consume written content. Whether you are a student looking for course material, an avid reader searching for your next favorite book, or a professional seeking research papers, the option to download Mikuni Carburetor Service Manual has opened up a world of possibilities. Downloading Mikuni Carburetor Service Manual provides numerous advantages over physical copies of books and documents. Firstly, it is incredibly convenient. Gone are the days of carrying around heavy textbooks or bulky folders filled with papers. With the click of a button, you can gain immediate access to valuable resources on any device. This convenience allows for efficient studying, researching, and reading on the go. Moreover, the cost-effective nature of downloading Mikuni Carburetor Service Manual has democratized knowledge. Traditional books and academic journals can be expensive, making it difficult for individuals with limited financial resources to access information. By offering free PDF downloads, publishers and authors are enabling a wider audience to benefit from their work. This inclusivity promotes equal opportunities for learning and personal growth. There are numerous websites and platforms where individuals can download Mikuni Carburetor Service Manual. These websites range from academic databases offering research papers and journals to online libraries with an expansive collection of books from various genres. Many authors and publishers also upload their work to specific websites, granting readers access to their content without any charge. These platforms not only provide access to existing literature but also serve as an excellent platform for undiscovered authors to share their work with the world. However, it is essential to be cautious while downloading Mikuni Carburetor Service Manual. Some websites may offer pirated or illegally obtained copies of copyrighted material. Engaging in such activities not only violates copyright laws but also undermines the efforts of authors, publishers, and researchers. To ensure ethical downloading, it is advisable to utilize reputable websites that prioritize the legal distribution of content. When downloading Mikuni Carburetor Service Manual, users should also consider the potential security risks associated with online platforms. Malicious actors may exploit vulnerabilities in unprotected websites to distribute malware or steal personal information. To protect themselves, individuals should ensure their devices have reliable antivirus software installed and validate the legitimacy of the websites they are downloading from. In conclusion, the ability to download Mikuni Carburetor Service Manual has transformed the way we access information. With the convenience, cost-effectiveness, and accessibility it offers, free PDF downloads have become a popular choice for students, researchers, and book lovers worldwide. However, it is crucial to engage in ethical downloading practices and prioritize personal security when utilizing online platforms. By doing so, individuals can make the most of the vast array of free PDF resources available and embark on a journey of continuous learning and intellectual growth.

FAQs About Mikuni Carburetor Service Manual Books

1. Where can I buy Mikuni Carburetor Service Manual books? Bookstores: Physical bookstores like Barnes & Noble, Waterstones, and independent local stores. Online Retailers: Amazon, Book Depository, and various online bookstores offer a wide range of books in physical and digital formats.
2. What are the different book formats available? Hardcover: Sturdy and durable, usually more expensive. Paperback: Cheaper, lighter, and more portable than hardcovers. E-books: Digital books available for e-readers like Kindle or software like Apple Books, Kindle, and Google Play Books.
3. How do I choose a Mikuni Carburetor Service Manual book to read? Genres: Consider the genre you enjoy (fiction, non-fiction, mystery, sci-fi, etc.). Recommendations: Ask friends, join book clubs, or explore online reviews and recommendations. Author: If you like a particular author, you might enjoy more of their work.
4. How do I take care of Mikuni Carburetor Service Manual books? Storage: Keep them away from direct sunlight and in a dry environment. Handling: Avoid folding pages, use bookmarks, and handle them with clean hands. Cleaning: Gently dust the covers and pages occasionally.
5. Can I borrow books without buying them? Public Libraries: Local libraries offer a wide range of books for borrowing. Book Swaps: Community book exchanges or online platforms where people exchange books.
6. How can I track my reading progress or manage my book collection? Book Tracking Apps: Goodreads, LibraryThing, and Book Catalogue are popular apps for tracking your reading progress and managing book collections. Spreadsheets: You can create your own spreadsheet to track books read, ratings, and other details.
7. What are Mikuni Carburetor Service Manual audiobooks, and where can I find them? Audiobooks: Audio recordings of books, perfect for listening while commuting or multitasking. Platforms: Audible, LibriVox, and Google Play Books offer a wide selection of audiobooks.
8. How do I support authors or the book industry? Buy Books: Purchase books from authors or independent bookstores. Reviews: Leave reviews on platforms like Goodreads or Amazon. Promotion: Share your favorite books on social media or recommend them to friends.
9. Are there book clubs or reading communities I can join? Local Clubs: Check for local book clubs in libraries or community centers. Online Communities: Platforms like Goodreads have virtual book clubs and discussion groups.
10. Can I read Mikuni Carburetor Service Manual books for free? Public Domain Books: Many classic books are available for free as they're in the public domain. Free E-books: Some websites offer free e-books legally, like Project Gutenberg or Open Library.

Find Mikuni Carburetor Service Manual :

[les ondelettes en 1989.](#)

[les maisons du xxe siecle europe](#)

les algues source de vie

[lere du soupa on](#)

[les egeries rubes](#)

[les miserables gavroche](#)

[les hautes montagnesbeautes de la france](#)

[leonard bernstein the man his work his](#)

[les linguistiques de corpus collection u](#)

[leola and the honeybears](#)

les diables de loudun sorcellerie et politique sous richelieu

[les quatre antilopes de lapocalypse](#)

les annales du theatre et de la musique

[les grandes idees politiques](#)

les libertins du xviième siècle.

Mikuni Carburetor Service Manual :

[*paris resource guide secrets of paris - May 18 2022*](#)

web the secrets of paris dive deep into the heart of the city exploring both its iconic landmarks and hidden gems embark on a thrilling journey unearthing tales behind its

[*180 cool and unusual things to do in paris atlas - Jan 26 2023*](#)

web fast forward to april 2 1897 and you find a 100 strong audience huddled in the dark of the parisian catacombs listening with rapt attention to an orchestra give a clandestine

98 exciting hidden gems non touristy things to do in paris - Sep 02 2023

the luxembourg gardens are my personal favourite location to pass time in the spring sunshine not only for the beauty of the see more

[*secret paris 9 insider locations you ll love paris - Feb 24 2023*](#)

web sep 6 2023 here s my guide to discovering hidden gems and secrets spots in paris france you ll find charming back

streets out of the way neighborhoods and secret

hidden gems in paris 25 off the beaten path secrets - Jun 18 2022

web nov 18 2015 armed with your camera and your friendly local guide check out five of the secret passages located near the louvre on the right bank though there used to be

hidden gems in paris 9 of the best kept secrets stay wild - Jul 20 2022

web explore the secret gardens of paris on a 2 hour walking tour and get off the usual tourist path discover a magical green oasis tucked away in semi tamed wilderness see grand

43 best hidden gems in paris to inspire your visit - Mar 28 2023

web city secrets paris travel guide is a sophisticated insiders guide to paris with tips and recommendations from expert contributors detailed maps and day trips

city secrets paris essential insiders guide to paris - Dec 25 2022

web discover the hidden heart of paris on a 100 minute guided tour of the city s secret stories step away from the usual tourist tales and dive down narrow lanes around the notre

secret paris guided tour the hidden heart of paris - Aug 21 2022

web mar 21 2023 looking for something to do in paris besides the usual sightseeing dining and shopping whether you call them activities or experiences there are countless

activities in paris secrets of paris - Apr 16 2022

web oct 31 2023 les visites nocturnes gratuites à faire à paris la visite gracieuse en nocturne de la bourse de commerce entièrement rénovée la bourse de commerce

secret paris time out paris - Sep 21 2022

web paris resource guide practical paris paris sightseeing make a difference french culture paris food drink art artists paris activities planning your visit where to

reading group guide hachette book group - Oct 11 2021

discover secret passages in paris getyourguide - Feb 12 2022

the best secret spots in paris hidden gems in - Nov 23 2022

web oct 16 2023 in this guide you ll discover some of the most unique areas and sights in paris that we ve uncovered after visiting the city of love almost every year for longer than

culture quelles sont les nocturnes gratuites à paris paris secret - Nov 11 2021

secret paris 30 beautiful hidden locations in paris - Oct 03 2023

montmartre was the first neighbourhood i stayed in paris so it holds a special place in my heart the popular artist s neighbourhood has long been undergoing gentrification as with see more

[paris hidden gems 9 things to see and do getyourguide](#) - Jun 30 2023

a blogger s favourite palais royal has long been the subject of the infamous paris instagramshot the recognisable black and white columns are hidden from the main thoroughfare inside a gloriously large courtyard see more

secret of paris city exploration game getyourguide - Dec 13 2021

paris hidden gems 20 secret spots in paris - May 30 2023

web mar 30 2023 paris hidden gems discover the secrets of paris 1 parc de bercy looking for a little oasis in the hustle and bustle of paris the parc de bercy may just be

secret paris off the beaten path spots cool hidden gems in - Aug 01 2023

every year for the past five years i have been making an annual trip to paris in spring not only is it my favourite season visually uh cherry see more

[paris secret gardens 1 30 hour long walking tour getyourguide](#) - Mar 16 2022

web the paris secret reading group guide book club questions note that these questions might contain some plot spoilers 1 had you heard of the air transport

a guide to the hidden gems in paris emma eats - Jan 14 2022

paris hidden gems 40 secret spots you need to - Apr 28 2023

web jul 19 2022 whether you re battling the craziness of paris in the summertime when tourists flood the city or you just adore finding secret things to do in paris consider this

hidden gems in paris 40 secret spots the geographical cure - Oct 23 2022

web may 12 2023 secret paris is right here growing on a steep hillside is a terraced vineyard with lovely views over the city you have to be on a mission to find this hidden gem in

everfi module 4 credit scores final quiz flashcards quizlet - Aug 26 2022

web which of the following is not true of credit scores a having a high score means you are more likely to repay debts b the more money you make the higher your credit score c only the credit bureaus truly know credit scores are calculated d your credit score can impact the car or home you can buy

answer key for everfi financial literacy post assessment credit - Sep 07 2023

web answer key for everfi financial literacy post assessment credit and debt generated on january 31 2022 using a loan could help with the purchase of which of the following a a new television b a dream wedding c a house d airline tickets to your dream vacation when are loans a good option to use a

everfi financial literacy assessment quizizz - Apr 21 2022

web which of the following statements about credit scores is true credit scores reflect how likely individuals are to repay their debts credit scores range from the low 300 s to the mid 800 s

everfi financial literacy lesson 5 credit and debt flashcards - Jul 25 2022

web study with quizlet and memorize flashcards containing terms like credit card debt credit score and more

answer key for everfi financial literacy post assessment - Oct 28 2022

web answer key for everfi financial literacy post assessment employment and taxes generated on january 31 2022 which of the following statements is true about education and lifetime earnings a generally the more education you receive the higher your lifetime earnings will be b

everfi post test flashcards quizlet - Aug 06 2023

web checking use the below figure to answer the following the set of numbers 101 on the top right of the check represents the check number which of the following typically has the lowest fees or costs to use debit card use the credit card disclosure to answer the following what is the annual fee for this card 0

everfi module 4 credit scores flashcards quizlet - May 03 2023

web immediately contact the credit bureau that has the credit score that is the most off study with quizlet and memorize flashcards containing terms like what is the purpose of credit scores how many credit scores does a person have what is the range for credit scores and more

everfi module five credit and debit flashcards quizlet - Sep 26 2022

web study with quizlet and memorize flashcards containing terms like credit established credit apr and more

everfi credit score quiz flashcards quizlet - Oct 08 2023

web study with quizlet and memorize flashcards containing terms like which best explains what a credit score represents which action can hurt your credit score i paying your phone bill late ii taking the bus to work iii maxing out several credit cards

vault everfi final assessment 244 plays quizizz - Feb 17 2022

web vault everfi final assessment quiz for 10th grade students find other quizzes for business and more on quizizz for free dave ramsey post test review 106 plays 10th 12th 12 qs budgeting 66 plays 10th 12th with credit you borrow money and repay later with interest no difference multiple choice edit

answer key for everfi financial literacy post assessment - Mar 01 2023

web answer key for everfi financial literacy post assessment consumer skills generated on january 31 2022 when you are deciding what to buy you should not a compare the unit price of similar items b read reviews from unbiased sources c assume that buying the cheapest item is the smartest choice d wait for sales to get the best price

assessment insurance answer key for everfi financial literacy post - Dec 30 2022

web answer key for everfi financial literacy post assessment insurance generated on january 31 2022 wearing a seat belt not texting when driving and driving carefully are all examples of a insurance policies b warranties c risk management strategies d deductibles which is not an example of a risk management strategy

everfi financial literacy building financial foundations - Jun 23 2022

web answer keys for all assessments engaging discussion guides your students will receive engaging animations providing explicit direct instruction on new topics guided practice activities that reinforce financial knowledge and skills engaging performance based games immersive interactive learning experience

the ultimate guide to module 5 everfi answers - May 23 2022

web managing your credit utilization keeping your credit card balances low and not maxing out your available credit can positively impact your credit score aim to keep your credit utilization ratio below 30 to demonstrate responsible credit management

everfi financial literacy post assessment answers - Mar 21 2022

web everfi financial literacy post assessment answers everfi financial literacy post assessment is a tool that assesses one s understanding and knowledge of financial literacy concepts it covers a wide range of topics such as budgeting saving investing and

answer key for everfi financial literacy post assessment - Jan 31 2023

web answer key for everfi financial literacy post assessment financing higher education generated on january 31 2022 making the choice to spend money on post secondary education pays off in the long run because a you or your parents can write it

answer key for everfi financial literacy post assessment - Jun 04 2023

web answer key for everfi financial literacy post assessment income and employment generated on january 31 2022 generally the more education you receive the higher your lifetime earnings will be a true b false there is no relationship between the level of education received and lifetime earnings a true b false

assessment budgeting answer key for everfi financial literacy post - Apr 02 2023

web answer key for everfi financial literacy post assessment budgeting generated on january 31 2022 which of the following

is a benefit of using a budget a helps to keep track of the money you receive b helps to prioritize your spending c helps reach short and long term financial goals d all of the above

everfi build credit fundamentals flashcards quizlet - Jul 05 2023

web a credit card offered to young people that has a lower credit limit but allows the person to build credit study with quizlet and memorize flashcards containing terms like annual fee annual percentage rate apr authorized user and more

everfi - Nov 28 2022

web your credit score the components of a typical credit report and the implications of a good or bad credit history 30 45 minutes learning objectives understand the basics of credit scores how credit scores are calculated and the

la guerre sans nom les appels c s d alga c rie 19 billie lee - Jan 28 2022

web jan 12 2023 4730014 la guerre sans nom les appels c s d alga c rie 19 2 14 downloaded from ctwelland clearfit com on by guest led to the adoption of numerous environmental policies the concept of the green economy has gained particular attention as an economic system where growth is possible within environmental limits the

pdf la guerre sans nom les appels c s d alga c rie 19 - Nov 06 2022

web la guerre sans nom les appels c s d alga c rie 19 living sci bio 8 col ed apr 12 2020 the comprehensive text builds up a sound base for higher classes the accurate diagrams activities and experiments are aimed at developing a scientific temper exhaustive exercises are given to test knowledge understanding and application of

la guerre sans nom les appels c s d alga c rie 19 download - Jul 02 2022

web de la violence interrogation sur la légitimité de la guerre constituent les principaux thèmes parcours à travers la mémoire des appelés ce livre est aussi un essai sur notre passé national

la guerre sans nom les appelés d algérie 1954 1962 by - Aug 15 2023

web la guerre sans nom les appelés d algérie 1954 1962 by patrick rotman bertrand tavernier secrte en espagne par daniele ganser les femmes dans la guerre d independance d hayti sema kama les anglais dans la guerre france 3 hauts de france sarah cattan nos soignants meurent envoys la guerre l uvre et dehors c tait la guerre

la guerre sans nom radio france - Aug 03 2022

web sep 14 2013 la coalition des volontaires autant dire la coalition des coalisés la guerre sans nom empruntait ainsi à la définition de dieu dans la théologie négative on ne pouvait pas dire ce qu elle était seulement ce qu elle n était pas et c est pourquoi il restait pour désigner son but le mot de punition

la guerre sans nom les appels c s d alga c rie 19 pdf - Dec 07 2022

web la guerre sans nom les appels c s d alga c rie 19 2 6 downloaded from uniport edu ng on august 24 2023 by guest la guerre d algrie n a pas eu lieu michel cornaton 2018 01 05 un rcit initiatique qui au lendemain des trois guerres franco

allemandes successives travers les hors lieux de l orphelinat du petit et du grand sminaire

la guerre sans nom les appela c s d alga c rie 19 pdf - Feb 09 2023

web la guerre sans nom les appela c s d alga c rie 19 recognizing the habit ways to get this book la guerre sans nom les appela c s d alga c rie 19 is additionally useful you have remained in right site to start getting this info get the la guerre sans nom les appela c s d alga c rie 19 associate that we find the money for here and check out the

la guerre sans nom les appela c s d alga c rie 19 pdf - Mar 10 2023

web aug 18 2023 favored books la guerre sans nom les appela c s d alga c rie 19 collections that we have this is why you remain in the best website to see the unbelievable ebook to have dictionnaire de l académie françoise revu corrigé et augmenté par l académie elle même institut de france académie française 1814 la guerre sans nom

la guerre sans nom les appelés d algérie 1954 1962 - Jul 14 2023

web retrouvez la guerre sans nom les appelés d algérie 1954 1962 et des millions de livres en stock sur amazon fr achetez neuf ou d occasion amazon fr la guerre sans nom les appelés d algérie 1954 1962 rotman patrick tavernier bertrand livres

la guerre sans nom les appela c s d alga c rie 19 ashley - Jan 08 2023

web in some cases you likewise complete not discover the publication la guerre sans nom les appela c s d alga c rie 19 that you are looking for it will no question squander the time however below subsequently you visit this web page it will be therefore enormously easy to acquire as without difficulty as download lead la guerre sans nom les

la guerre sans nom les appela c s d alga c rie 19 full pdf - May 12 2023

web la guerre d algérie fut le grand épisode traumatique de l histoire de la france des trente glorieuses et les blessures ouvertes alors ne sont pas encore refermées comme en témoignent

la guerre sans nom les appela c s d alga c rie 19 - Apr 11 2023

web right here we have countless ebook la guerre sans nom les appela c s d alga c rie 19 and collections to check out we additionally provide variant types and also type of the books to browse the standard book fiction history novel scientific research as capably as various further sorts of books are readily comprehensible here

la guerre sans nom les appela c s d alga c rie 19 pdf - Sep 04 2022

web mar 18 2023 la guerre sans nom les appela c s d alga c rie 19 1 9 downloaded from uniport edu ng on march 18 2023 by guest la guerre sans nom les appela c s d alga c rie 19 thank you extremely much for downloading la guerre sans nom les appela c s d alga c rie 19 most likely you have knowledge that people have look numerous

la guerre sans nom english translation linguee - Jun 01 2022

web many translated example sentences containing la guerre sans nom mère décorée de la croix d argent elle déposera une couronne au pied du monument commémoratif de guerre du canada au nom de toutes les mères qui ont perdu des enfants

durant le service militaire et service dan voici 19 jours qu israël la puissance

la guerre sans nom les appela c s d alga c rie 19 pdf - Jun 13 2023

web la guerre sans nom les appela c s d alga c rie 19 3 3 brutal war for independence from 1954 to 1962 the nearly one million pieds noirs literally black feet were former french citizens of algeria who suffered a traumatic departure from their homes and discrimination upon arrival in france in response the

la guerre sans nom les appela c s d alga c rie 19 ashley - Mar 30 2022

web this la guerre sans nom les appela c s d alga c rie 19 can be taken as competently as picked to act yvain chretien de troyes 1987 09 10 a twelfth century poem by the creator of the arthurian romance describes the courageous exploits and triumphs of a brave lord who tries to win back his deserted wife s love

la guerre sans nom les appela c s d alga c rie 19 pdf - Oct 05 2022

web la guerre sans nom les appela c s d alga c rie 19 1 la guerre sans nom les appela c s d alga c rie 19 when people should go to the book stores search foundation by shop shelf by shelf it is essentially problematic this is why we offer the ebook compilations in this website it will completely ease you to

la guerre sans nom documentaire 1992 senscritique - Apr 30 2022

web feb 18 1992 la guerre sans nom est un film de bertrand tavernier la guerre sans nom est un film de bertrand tavernier synopsis trente ans après la guerre d algérie reste enfouie dans les mémoires de ceux qui l ont menée les 2 7 explorer films À l affiche documentaire de bertrand tavernier 4 h 19 février 1992 france genres

la guerre sans nom les appelés d algérie 1954 1962 by - Dec 27 2021

web la guerre sans nom les appelés d algérie 1954 1962 by patrick rotman bertrand tavernier appela d finition de appela march 8th 2020 39 or sachant tout cela si nous avons à nommer les mots qui représentent ces êtres nous ne les appellerions pas des substantifs nous leur donnerions plutôt un nom tiré de leur fonction nous

la guerre sans nom les appela c s d alga c rie 19 loren - Feb 26 2022

web it is your no question own era to appear in reviewing habit in the midst of guides you could enjoy now is la guerre sans nom les appela c s d alga c rie 19 below biodiversity in the green economy alexandros gasparatos 2015 06 05 in the past decade the growing realization that biodiversity and human wellbeing are inextricably linked has