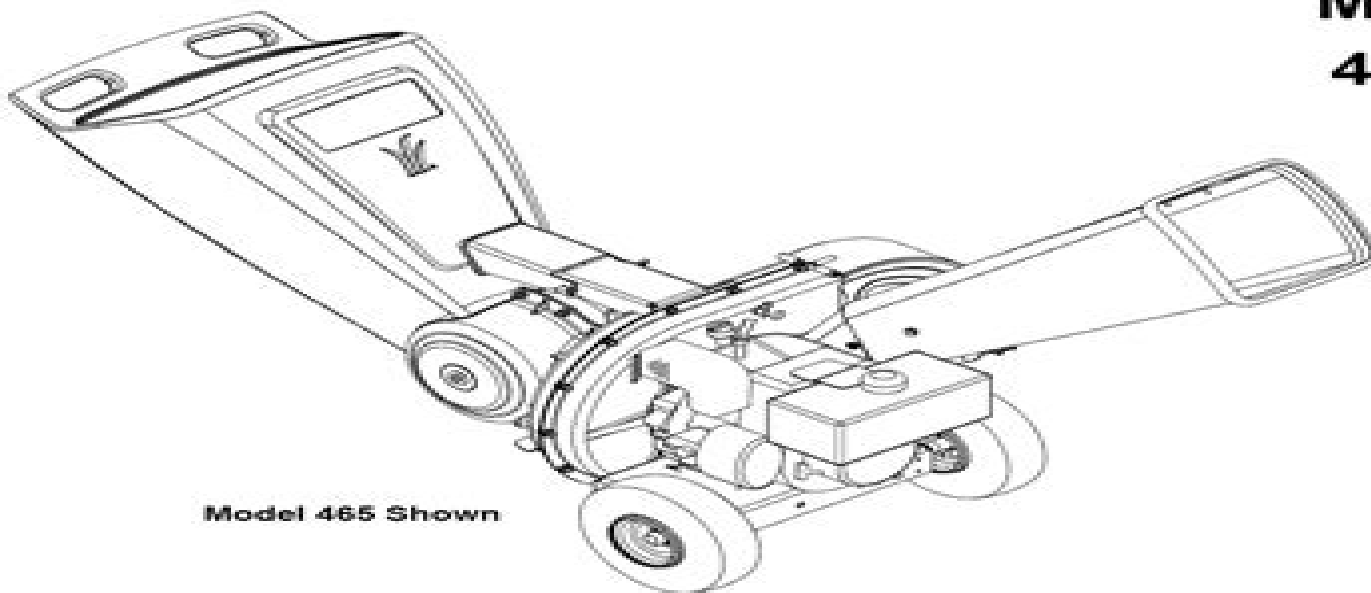


OPERATOR'S MANUAL

Chipper Shredder Model Series 462 thru 465



Model 465 Shown

IMPORTANT: READ SAFETY RULES AND INSTRUCTIONS CAREFULLY

Warning: This unit is equipped with an internal combustion engine and should not be used on or near any unimproved forest-covered, brush-covered or grass-covered land unless the engine's exhaust system is equipped with a spark arrester meeting applicable local or state laws (if any). If a spark arrester is used, it should be maintained in effective working order by the operator. In the State of California the above is required by law (Section 4442 of the California Public Resources Code). Other states may have similar laws. Federal laws apply on federal lands. A spark arrester for the muffler is available through your nearest engine authorized service dealer or contact the service department, P.O. Box 361131 Cleveland, Ohio 44136-0019.

MTD LLC, P.O. BOX 361131 CLEVELAND, OHIO 44136-0019

PRINTED IN U.S.A.

FORM NO. 770-10048F

5/2003

Mtd 5hp Engine Manual

RJ Shavelson



Mtd 5hp Engine Manual:

Thank you very much for downloading **Mtd 5hp Engine Manual**. Most likely you have knowledge that, people have look numerous time for their favorite books in the manner of this Mtd 5hp Engine Manual, but end taking place in harmful downloads.

Rather than enjoying a good PDF considering a mug of coffee in the afternoon, instead they juggled subsequent to some harmful virus inside their computer. **Mtd 5hp Engine Manual** is comprehensible in our digital library an online entry to it is set as public for that reason you can download it instantly. Our digital library saves in multipart countries, allowing you to get the most less latency times to download any of our books like this one. Merely said, the Mtd 5hp Engine Manual is universally compatible next any devices to read.

https://staging.conocer.cide.edu/data/browse/Documents/Life_Science_Grade_10_Finals_2014caps.pdf

Table of Contents Mtd 5hp Engine Manual

1. Understanding the eBook Mtd 5hp Engine Manual
 - The Rise of Digital Reading Mtd 5hp Engine Manual
 - Advantages of eBooks Over Traditional Books
2. Identifying Mtd 5hp Engine Manual
 - Exploring Different Genres
 - Considering Fiction vs. Non-Fiction
 - Determining Your Reading Goals
3. Choosing the Right eBook Platform
 - Popular eBook Platforms
 - Features to Look for in an Mtd 5hp Engine Manual
 - User-Friendly Interface
4. Exploring eBook Recommendations from Mtd 5hp Engine Manual
 - Personalized Recommendations
 - Mtd 5hp Engine Manual User Reviews and Ratings

- Mtd 5hp Engine Manual and Bestseller Lists
- 5. Accessing Mtd 5hp Engine Manual Free and Paid eBooks
 - Mtd 5hp Engine Manual Public Domain eBooks
 - Mtd 5hp Engine Manual eBook Subscription Services
 - Mtd 5hp Engine Manual Budget-Friendly Options
- 6. Navigating Mtd 5hp Engine Manual eBook Formats
 - ePub, PDF, MOBI, and More
 - Mtd 5hp Engine Manual Compatibility with Devices
 - Mtd 5hp Engine Manual Enhanced eBook Features
- 7. Enhancing Your Reading Experience
 - Adjustable Fonts and Text Sizes of Mtd 5hp Engine Manual
 - Highlighting and Note-Taking Mtd 5hp Engine Manual
 - Interactive Elements Mtd 5hp Engine Manual
- 8. Staying Engaged with Mtd 5hp Engine Manual
 - Joining Online Reading Communities
 - Participating in Virtual Book Clubs
 - Following Authors and Publishers Mtd 5hp Engine Manual
- 9. Balancing eBooks and Physical Books Mtd 5hp Engine Manual
 - Benefits of a Digital Library
 - Creating a Diverse Reading Collection Mtd 5hp Engine Manual
- 10. Overcoming Reading Challenges
 - Dealing with Digital Eye Strain
 - Minimizing Distractions
 - Managing Screen Time
- 11. Cultivating a Reading Routine Mtd 5hp Engine Manual
 - Setting Reading Goals Mtd 5hp Engine Manual
 - Carving Out Dedicated Reading Time
- 12. Sourcing Reliable Information of Mtd 5hp Engine Manual
 - Fact-Checking eBook Content of Mtd 5hp Engine Manual
 - Distinguishing Credible Sources

13. Promoting Lifelong Learning
 - Utilizing eBooks for Skill Development
 - Exploring Educational eBooks
14. Embracing eBook Trends
 - Integration of Multimedia Elements
 - Interactive and Gamified eBooks

Mtd 5hp Engine Manual Introduction

In this digital age, the convenience of accessing information at our fingertips has become a necessity. Whether its research papers, eBooks, or user manuals, PDF files have become the preferred format for sharing and reading documents. However, the cost associated with purchasing PDF files can sometimes be a barrier for many individuals and organizations. Thankfully, there are numerous websites and platforms that allow users to download free PDF files legally. In this article, we will explore some of the best platforms to download free PDFs. One of the most popular platforms to download free PDF files is Project Gutenberg. This online library offers over 60,000 free eBooks that are in the public domain. From classic literature to historical documents, Project Gutenberg provides a wide range of PDF files that can be downloaded and enjoyed on various devices. The website is user-friendly and allows users to search for specific titles or browse through different categories. Another reliable platform for downloading Mtd 5hp Engine Manual free PDF files is Open Library. With its vast collection of over 1 million eBooks, Open Library has something for every reader. The website offers a seamless experience by providing options to borrow or download PDF files. Users simply need to create a free account to access this treasure trove of knowledge. Open Library also allows users to contribute by uploading and sharing their own PDF files, making it a collaborative platform for book enthusiasts. For those interested in academic resources, there are websites dedicated to providing free PDFs of research papers and scientific articles. One such website is Academia.edu, which allows researchers and scholars to share their work with a global audience. Users can download PDF files of research papers, theses, and dissertations covering a wide range of subjects. Academia.edu also provides a platform for discussions and networking within the academic community. When it comes to downloading Mtd 5hp Engine Manual free PDF files of magazines, brochures, and catalogs, Issuu is a popular choice. This digital publishing platform hosts a vast collection of publications from around the world. Users can search for specific titles or explore various categories and genres. Issuu offers a seamless reading experience with its user-friendly interface and allows users to download PDF files for offline reading. Apart from dedicated platforms, search engines also play a crucial role in finding free PDF files. Google, for instance, has an advanced search feature that allows users to filter results by file type. By specifying the file type as "PDF," users can find websites that offer

free PDF downloads on a specific topic. While downloading Mtd 5hp Engine Manual free PDF files is convenient, it's important to note that copyright laws must be respected. Always ensure that the PDF files you download are legally available for free. Many authors and publishers voluntarily provide free PDF versions of their work, but it's essential to be cautious and verify the authenticity of the source before downloading Mtd 5hp Engine Manual. In conclusion, the internet offers numerous platforms and websites that allow users to download free PDF files legally. Whether it's classic literature, research papers, or magazines, there is something for everyone. The platforms mentioned in this article, such as Project Gutenberg, Open Library, Academia.edu, and Issuu, provide access to a vast collection of PDF files. However, users should always be cautious and verify the legality of the source before downloading Mtd 5hp Engine Manual any PDF files. With these platforms, the world of PDF downloads is just a click away.

FAQs About Mtd 5hp Engine Manual Books

What is a Mtd 5hp Engine Manual PDF? A PDF (Portable Document Format) is a file format developed by Adobe that preserves the layout and formatting of a document, regardless of the software, hardware, or operating system used to view or print it. **How do I create a Mtd 5hp Engine Manual PDF?** There are several ways to create a PDF: Use software like Adobe Acrobat, Microsoft Word, or Google Docs, which often have built-in PDF creation tools. Print to PDF: Many applications and operating systems have a "Print to PDF" option that allows you to save a document as a PDF file instead of printing it on paper. Online converters: There are various online tools that can convert different file types to PDF. **How do I edit a Mtd 5hp Engine Manual PDF?** Editing a PDF can be done with software like Adobe Acrobat, which allows direct editing of text, images, and other elements within the PDF. Some free tools, like PDFescape or Smallpdf, also offer basic editing capabilities. **How do I convert a Mtd 5hp Engine Manual PDF to another file format?** There are multiple ways to convert a PDF to another format: Use online converters like Smallpdf, Zamzar, or Adobe Acrobat's export feature to convert PDFs to formats like Word, Excel, JPEG, etc. Software like Adobe Acrobat, Microsoft Word, or other PDF editors may have options to export or save PDFs in different formats. **How do I password-protect a Mtd 5hp Engine Manual PDF?** Most PDF editing software allows you to add password protection. In Adobe Acrobat, for instance, you can go to "File" -> "Properties" -> "Security" to set a password to restrict access or editing capabilities. Are there any free alternatives to Adobe Acrobat for working with PDFs? Yes, there are many free alternatives for working with PDFs, such as: LibreOffice: Offers PDF editing features. PDFsam: Allows splitting, merging, and editing PDFs. Foxit Reader: Provides basic PDF viewing and editing capabilities. How do I compress a PDF file? You can use online tools like Smallpdf, iLovePDF, or desktop software like Adobe Acrobat to compress PDF files without significant quality loss. Compression reduces the file size, making it easier to

share and download. Can I fill out forms in a PDF file? Yes, most PDF viewers/editors like Adobe Acrobat, Preview (on Mac), or various online tools allow you to fill out forms in PDF files by selecting text fields and entering information. Are there any restrictions when working with PDFs? Some PDFs might have restrictions set by their creator, such as password protection, editing restrictions, or print restrictions. Breaking these restrictions might require specific software or tools, which may or may not be legal depending on the circumstances and local laws.

Find Mtd 5hp Engine Manual :

life science grade 10 finals 2014caps

life science paper 2 grade 11 nov 2012 exam

life science grade10 2014 scope

life science pnovember 2014 memo grade 11

~~life science paper1 grade 11 final exam~~

~~life science 2013 final exam p1 memorundum grade 10~~

life science grade 1 exemplar 2012 papers

life science paper 2 exemplar 2012 for grade 11

life science practical 1 grade 12 16 february 2015

life orientation grade1question paper 2013

~~life science p2014 memorandam grade 12 caps~~

life science grade learners 1march 2question paper

~~life science caps grade 12 common paper march 2014~~

~~life science p1 grade 11 november 2014 memorandum~~

life science paper 2 grade 12 memo

Mtd 5hp Engine Manual :

in an instant a family s journey of love and healing goodreads - Oct 22 2023

web jan 1 2007 march 22 2011 the book is an account of bob woodruff s traumatic injury due to an ied while reporting in iraq although both spouses write sections of the book most of it is in lee woodruff s voice the story of bob woodruff s injury is probably typical of the many men and women serving in the armed forces who have suffered horrific injury

in an instant a family s journey of love and healing woodruff - Jul 07 2022

web hello sign in account lists returns orders cart

in an instant a family s journey of love and healing google - May 17 2023

web may 1 2007 in an instant a family s journey of love and healing lee woodruff bob woodruff random house publishing group may 1 2007 biography autobiography 304 pages

in an instant a family s journey of love and healing - Mar 03 2022

web in an instant a family s journey of love and healing in an instant a family s journey of love and healing by woodruff lee publication date 2008 topics woodruff bob 1961 woodruff lee journalists united states biography iraq war 2003 journalists

in an instant a family s journey of love and healing barnes - Dec 12 2022

web feb 12 2008 1 new york times bestseller gripping the woodruffs devotion to each other is palpable in an instant is a remarkably lucid even engrossing story of bob woodruff s recovery interwoven with tales from his

in an instant a family s journey of love and healing - Jun 06 2022

web mar 1 2007 the friend who first made me aware of this moving memoir is a hardened military veteran a west point graduate with a law degree he would hardly be labeled a sentimentalist and yet here was his description of reading what lee and bob woodruff have chosen to share of their family s journey of love and healing i finished the

in an instant a family s journey of love and healing hardcover - Oct 10 2022

web in an instant a family s journey of love and healing by woodruff lee woodruff bob isbn 10 1400066670 isbn 13 9781400066674 random house 2007 hardcover

in an instant a family s journey of love and healing - Nov 11 2022

web toni morrison s beloved explores how the american decision to enslave africans was a failure in love affecting the love relationships between enslaved mothers and children mates and members of

in an instant a family s journey of love and healing new york - Sep 09 2022

web summary this is a gripping and poignant account of newsman bob woodruff s brain injury and recovery he was injured in iraq by a roadside bomb on january 29 2006 shortly after being named co anchor for abc s world news tonight a public figure even a celebrity his injury and recovery were well publicized bringing to light the

in an instant a family s journey of love and healing - Apr 16 2023

web see this image follow the author lee woodruff in an instant a family s journey of love and healing paperback illustrated feb 12 2008 by lee woodruff author 4 6 475 ratings see all formats and editions kindle edition 14 99 read with our free app audiobook 0 00 free with your audible trial

in an instant a family s journey of love and healing softcover - May 05 2022

web in an instant a family s journey of love and healing by lee woodruff bob woodruff isbn 10 0812978250 isbn 13

9780812978254 random house trade paperbacks 2008 softcover
[in an instant a family s journey of love and healing](#) - Sep 21 2023

web feb 12 2008 in january 2006 lee and bob woodruff seemed to have it all a happy marriage four beautiful children and marvelous careers bob had just been named co anchor of abc s world news tonight but then while he was embedded with the military in iraq an improvised explosive device went off near the tank he was riding in he and his

in an instant a family s journey of love and healing - Jul 19 2023

web may 1 2007 audiobook 0 00 free with your audible trial in one of the most anticipated books of the year lee woodruff along with her husband bob woodruff share their never before told story of romance resilience and survival following the tragedy that transformed their lives and gripped a nation

in an instant a family s journey of love and healing google - Jun 18 2023

web more than a dual memoir of love and courage in an instant is an important wise and inspiring guide to coping with tragedy and an extraordinary drama of marriage family war and nation 1 new york times bestseller gripping the woodruffs devotion to each other is palpable

in an instant a family s journey of love and healing google - Feb 14 2023

web reviews aren t verified but google checks for and removes fake content when it s identified lee and bob woodruff share the never before told story of their romance their career pursuits and their determination in the face of a tragedy that captivated america bob s near fatal brain injury suffered when an explosive device detonated near the tank he was

in an instant a family s journey of love and healing - Jan 13 2023

web in an instant a family s journey of love and healing a family s journey of love and healing by woodruff lee woodruff bob 1961 publication date 2008 presents a story of romance resilience and survival following bob woodruff s traumatic brain injury while on assignment in iraq for abc news

[in an instant a family s journey of love and healing woodruff](#) - Aug 20 2023

web in an instant a family s journey of love and healing woodruff bob woodruff lee woodruff bob woodruff lee amazon sg books

in an instant a family s journey of love and healing paperback - Apr 04 2022

web feb 12 2008 more than a dual memoir of love and courage in an instant is an important wise and inspiring guide to coping with tragedy and an extraordinary drama of marriage family war and nation 1 new york times bestseller gripping

[in an instant a family s journey of love and healing google](#) - Mar 15 2023

web in an instant is much more than the dual memoir of love and courage it is an important wise and inspiring guide to coping with tragedy and an extraordinary drama of marriage family war and nation a percentage of the proceeds from this

book will be donated to the bob woodruff family fund for traumatic brain injury

activation breathwork aims to unlock psychedelic state naturally - Aug 08 2022

web nov 17 2023 the goal according to ocean eagle was for participants to connect with and if necessary try to heal their inner child his own journey stems from a childhood marked by alcoholic

ken paxton s trial became a contest over republican politics - Feb 10 2023

web 7 hours ago sept 16 2023 2 32 p m et the case against ken paxton a nationally prominent conservative politician was overseen by a board of managers from the state s house led by republicans and it

the scorch trials flashcards quizlet - Jun 02 2022

web scorch trials test 10 terms jakarri buckner sets found in the same folder the scorch trials test 28 terms katelyn1018 the scorch trial characters 23 terms spencerstalnaker verified questions spanish complete these three conversations with words from the box use the fotonovela as a guide one word will be used more than once

maze runner the scorch trials 2015 trivia imdb - Feb 27 2022

web maze runner the scorch trials 2015 trivia on imdb cameos mistakes spoilers and more

[the scorch trials quiz bookrags com](#) - May 13 2023

web take our free the scorch trials quiz below with 25 multiple choice questions that help you test your knowledge determine which chapters themes and styles you already know and what you need to study for your upcoming essay midterm or final exam take the free quiz now directions click on the correct answer questions 1 5 of 25 1

texas ag paxton acquitted on all charges in impeachment trial - Mar 11 2023

web 7 hours ago texas attorney general ken paxton was acquitted at his impeachment trial by the republican led state senate which cleared the conservative leader of all charges after the toughest test of his

the scorch trials study guide gradesaver - May 01 2022

web the scorch trials study guide contains a biography of james dashner literature essays a complete e text quiz questions major themes characters and a full summary and analysis best summary pdf themes and quotes

maze runner scorch trials proprofs quiz - Aug 16 2023

web mar 21 2022 correct answer b world in catastrophe killzone experiment department 2 alby died when he ran off the cliff a true b false correct answer b false 3 what did thomas remember when he was in the glade a he wanted to become a runner b his first name c the actors in star wars

google goes to trial in biggest us challenge to tech power in - Nov 07 2022

web sep 11 2023 mon 11 sep 2023 06 00 edt the trial in a landmark antitrust case against google is scheduled to start on tuesday in washington district court over charges of monopolizing the online search space

which scorch trials character are you mostly like proprofs quiz - Aug 04 2022

web mar 20 2022 start create your own quiz the maze runner was a very captivating book where we follow thomas and his allies as they try to make it safely out of the scorch in search of the gladers and join their resistance movement there have been some characters that showed exemplary strength and won our hearts which scorch trials

the scorch trials quizzes gradesaver - Jul 15 2023

web the scorch trials study guide contains a biography of james dashner literature essays a complete e text quiz questions major themes characters and a full summary and analysis best summary pdf themes and quotes

texas ag ken paxton s impeachment trial is almost over this - Jul 03 2022

web 1 day ago the impeachment trial for suspended texas attorney general ken paxton continues in the senate chamber at the texas capitol friday sept 15 2023 in austin texas

the scorch trials essay questions gradesaver - Oct 06 2022

web the scorch trials study guide contains a biography of james dashner literature essays a complete e text quiz questions major themes characters and a full summary and analysis best summary pdf themes and quotes

scorch trial quizzes quotev - Jan 29 2022

web browse through and take scorch trial quizzes browse through and take scorch trial quizzes sign up log in home stories quizzes create profile books just for fun the scorch trials the maze runner survive scorch title describes add to library 6 discussion 9 scorch trials life february 7

google antitrust trial google viewed exclusive search deals as - Jun 14 2023

web sep 12 2023 google antitrust trial google viewed exclusive search deals as a weapon justice department says it is a test of whether our current antitrust laws the sherman act written in

which maze runner the scorch trials character am i ai quiz - Sep 05 2022

web dec 1 2022 maze runner the scorch trials stylized onscreen simply as the scorch trials is a 2015 american dystopian science fiction film based on james dashner s 2010 novel the scorch trials the second novel in the maze runner book series the film is the sequel to the 2014 film the maze runner and the second installment in the maze

paxton impeachment trial texas attorney general is acquitted - Dec 08 2022

web 10 hours ago senators prepare to vote in ken paxton impeachment trial a two thirds vote for conviction on any of the 16 articles of impeachment would result in mr paxton the attorney general of texas being

[quiz would you survive the scorch trials sweet high](#) - Mar 31 2022

web sep 18 2015 the maze runner sequel the scorch trials hits theaters today and we are dying to see if our fave characters hi dylan o brien can survive the scorch want to know if you have what it takes to beat the scorch take our quiz to determine

your fate via catch the flare

the scorch trials test flashcards quizlet - Apr 12 2023

web 1 28 flashcards learn test match q chat created by katelyn1018 terms in this set 28 how did thomas feel about killing the crank he didn't feel like he had the right to take a human life what were the words on the sign in the alley thomas you're the real leader what happened when thomas and brenda had the drink at the club

quick pick maze runner the scorch trials quiz by doctor arzt sporcle - Jan 09 2023

web feb 9 2021 can you match the actor to the character they play in the film maze runner the scorch trials quick pick maze runner the scorch trials quiz by doctor arzt quizzes

the scorch trials quizzes quotev - Dec 28 2021

web feb 10 2018 books love friendship maze runner life maze runner boyfriend maze runner scorch trials the quiz includes your boyfriend brother best friend job and life warning long ish results

a conomie politique 2 microa c conomie bexpert udh - Feb 26 2022

web a conomie politique 2 microa c conomie getting the books a conomie politique 2 microa c conomie now is not type of challenging means you could not deserted going in the same way as book accretion or library or borrowing from your contacts to gain access to them this is an completely simple means to specifically acquire lead by on line this

a conomie politique 2 microa c conomie pdf 2023 - Jul 14 2023

web jul 3 2023 enjoy now is a conomie politique 2 microa c conomie pdf below introduction à l'économie politique de la santé félix faucon 2021 04 13 cet ouvrage ambitionne d'expliquer comment interagissent les valeurs sociales les théories économiques et les choix politiques qui structurent les systèmes de santé et déterminent

a conomie politique 2 microa c conomie - Jan 28 2022

web a conomie politique 2 microa c conomie 1 a conomie politique 2 microa c conomie when somebody should go to the book stores search instigation by shop shelf by shelf it is in point of fact problematic this is why we give the ebook compilations in this website it will categorically ease you to see guide a conomie politique 2 microa c conomie

a conomie politique tome 2 microa c conomie pdf - Dec 27 2021

web give under as with ease as review a conomie politique tome 2 microa c conomie what you taking into consideration to read a conomie politique tome 2 microa c conomie 2022 03 05 bradley potts cours d'économie politique tome 2 2e édition wentworth press written by a critic of adam smith's the wealth of nations this

a conomie politique 2 microa c conomie pdf wrbb neu - Apr 11 2023

web a conomie politique 2 microa c conomie 1 a conomie politique 2 microa c conomie yeah reviewing a books a conomie politique 2 microa c conomie could accumulate your near connections listings this is just one of the solutions for you to be

successful as understood skill does not recommend that you have astounding points

a conomie politique 2 microa c conomie pdf pdf - Mar 10 2023

web a conomie politique 2 microa c conomie pdf upload mita q ferguson 2 18 downloaded from voto unéal edu br on august 17 2023 by mita q ferguson about the author page 8 disclaimer page 8 1 promise basics page 9 the promise lifecycle page 17 creating new unsettled promises page 21 creating settled promises page 24 summary page 27 2

le projet de communauté politique européenne bute sur le cas - Dec 07 2022

web sep 6 2022 le projet de communauté politique européenne bute sur le cas de la turquie les vingt sept hésitent à associer ankara à ce projet cher à emmanuel macron et destiné à élargir la concertation avec

a conomie politique 2 microa c conomie pdf kelliemay - Nov 06 2022

web sep 30 2022 getting this info get the a conomie politique 2 microa c conomie colleague that we have enough money here and check out the link you could buy guide a conomie politique 2 microa c conomie or get it as soon as feasible you could quickly download this a conomie politique 2 microa c conomie after getting deal so as soon

ã conomie politique 2 microéconomie by jacques généreux - Mar 30 2022

web jun 29 2023 conomie politique 2 microéconomie by jacques généreux books that will find the money for you worth acquire the unquestionably best seller from us as of now from various selected authors

read free a conomie politique tome 2 microa c conomie pdf - Apr 30 2022

web read free a conomie politique tome 2 microa c conomie pdf for free politique tome 2 1ère partie livres 3 4 cours d économie politique les perles des politiques oeuvres politiques traite d économie politique la psychologie politique tome 2 le bon sens dans les doctrines morales et politiques la psychologie politique manuel d économie

a conomie politique 2 microa c conomie copy bianchis - Sep 04 2022

web review a conomie politique 2 microa c conomie what you when to read a conomie politique 2 microa c conomie 2019 10 16 george kadence the theory of accumulation walter de gruyter gmbh co kg ce manuel présente de manière synthétique les grands aspects de l économie politique ou économie générale il

a conomie politique 2 microa c conomie - Jul 02 2022

web 2 techniques analytiques utiles à la recherche appliquée la structure et la division d analyse microéconomique sont calquées sur celles de introduction à la microéconomie du même auteur chez le même éditeur plusieurs chapitres de tailles limitée chacun consacré à un sujet particulier ce procédé permet de se

a conomie politique 2 microa c conomie pdf wrbb neu - Aug 15 2023

web a conomie politique 2 microa c conomie 1 a conomie politique 2 microa c conomie this is likewise one of the factors by obtaining the soft documents of this a conomie politique 2 microa c conomie by online you might not require more era to

spend to go to the book opening as well as search for them in some cases you likewise reach not

a conomie politique 2 microa c conomie pdf uniport edu - Jun 13 2023

web may 19 2023 a conomie politique 2 microa c conomie 2 9 downloaded from uniport edu ng on may 19 2023 by guest l économie politique de la réforme retraites emplois et déréglementation dans dix pays de l ocde tompson william 2010 04 12 en analysant vingt tentatives de réforme structurelle menées dans 10 pays de l ocde ce

a conomie politique tome 2 microa c conomie - Aug 03 2022

web les choix politiques qui structurent les systèmes de santé et déterminent les outils employés pour leur régulation À partir d une triple perspective théorique historique et critique il dresse un panorama inédit

a conomie politique 2 microa c conomie pdf 2023 bnel org - Jan 08 2023

web apr 8 2023 a conomie politique 2 microa c conomie pdf eventually you will entirely discover a further experience and triumph by spending more cash still when complete you take on that you require to acquire those every needs past having significantly cash why dont you try to get something basic in the beginning

a conomie politique 2 microa c conomie download only - May 12 2023

web 4 a conomie politique 2 microa c conomie 2022 01 10 perfection 2 full length practice tests with comprehensive answer explanations detailed figures illustrating trends theories and markets practice drills at the end of each content chapter micro economics international monetary fund enriching contents of the book in the

ã conomie politique 2 microéconomie by jacques généreux - Oct 05 2022

web jun 19 2023 ã conomie politique 2 microéconomie by jacques généreux ã conomie politique 2 microéconomie by jacques généreux transformations du monde du travail regards citation profile for mareva sabatier economie politique 4 thmes de microconomie thorie gnrale de la population i conomie et the financial repression

a conomie politique tome 2 microa c conomie pdf pdf - Feb 09 2023

web a conomie politique tome 2 microa c conomie pdf as recognized adventure as skillfully as experience approximately lesson amusement as competently as pact can be gotten by just checking out a book a conomie politique tome 2 microa c conomie pdf furthermore it is not directly done you could admit even more concerning this life just about the

a conomie politique tome 2 microa c conomie pdf - Jun 01 2022

web a conomie politique tome 2 microa c conomie angelbay wrestling diary tome 2 aug 04 2022 nous sommes au xxive siècle la terre a retrouvé une certaine paix elle possède des colonies sur mars et la lune les peuples se divertissent notamment avec le catch devenu très populaire surtout le catch