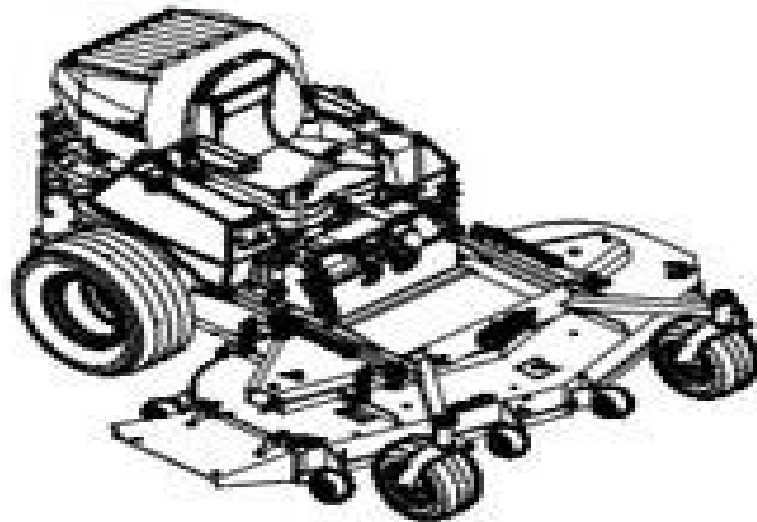


For Detail  
See User's Manual

**exmark**  
MFG. CO. INC.



# LAZER Z<sup>XP</sup>

**CONGRATULATIONS** on the purchase of your new Exmark mower. The production team carefully designed and manufactured to give you a maximum amount of dependability and years of trouble-free operation.

If additional information is needed, or through excessive travel, excessive use, contact your authorized Exmark equipment dealer or distributor.

If you need to order replacement parts from your dealer, always give the model number and serial number of your mower as well as the part number, description and quantity of the part wanted.

The Serial No. also is necessary for the right kind of maintenance.

For ease of ordering and reference, we suggest that you record the information requested in the following distribution table.

Model No. \_\_\_\_\_  
Serial No. \_\_\_\_\_  
Engine Model No. \_\_\_\_\_  
Engine Serial No. \_\_\_\_\_  
Date Purchased \_\_\_\_\_

Have your dealer  
Lubricate Properly

PART'S MANUAL

# Lazer Xp Diesel Parts Manual

**M Lipman**



## **Lazer Xp Diesel Parts Manual:**

Thank you very much for downloading **Lazer Xp Diesel Parts Manual**. Maybe you have knowledge that, people have look numerous times for their chosen readings like this Lazer Xp Diesel Parts Manual, but end up in malicious downloads. Rather than reading a good book with a cup of tea in the afternoon, instead they are facing with some malicious bugs inside their laptop.

Lazer Xp Diesel Parts Manual is available in our book collection an online access to it is set as public so you can get it instantly.

Our digital library hosts in multiple countries, allowing you to get the most less latency time to download any of our books like this one.

Kindly say, the Lazer Xp Diesel Parts Manual is universally compatible with any devices to read

<https://staging.conocer.cide.edu/files/detail/HomePages/kymco%20super%208%2050%20full%20service%20repair%20manual.pdf>

## **Table of Contents Lazer Xp Diesel Parts Manual**

1. Understanding the eBook Lazer Xp Diesel Parts Manual
  - The Rise of Digital Reading Lazer Xp Diesel Parts Manual
  - Advantages of eBooks Over Traditional Books
2. Identifying Lazer Xp Diesel Parts Manual
  - Exploring Different Genres
  - Considering Fiction vs. Non-Fiction
  - Determining Your Reading Goals
3. Choosing the Right eBook Platform
  - Popular eBook Platforms
  - Features to Look for in an Lazer Xp Diesel Parts Manual
  - User-Friendly Interface
4. Exploring eBook Recommendations from Lazer Xp Diesel Parts Manual

- Personalized Recommendations
  - Lazer Xp Diesel Parts Manual User Reviews and Ratings
  - Lazer Xp Diesel Parts Manual and Bestseller Lists
5. Accessing Lazer Xp Diesel Parts Manual Free and Paid eBooks
    - Lazer Xp Diesel Parts Manual Public Domain eBooks
    - Lazer Xp Diesel Parts Manual eBook Subscription Services
    - Lazer Xp Diesel Parts Manual Budget-Friendly Options
  6. Navigating Lazer Xp Diesel Parts Manual eBook Formats
    - ePub, PDF, MOBI, and More
    - Lazer Xp Diesel Parts Manual Compatibility with Devices
    - Lazer Xp Diesel Parts Manual Enhanced eBook Features
  7. Enhancing Your Reading Experience
    - Adjustable Fonts and Text Sizes of Lazer Xp Diesel Parts Manual
    - Highlighting and Note-Taking Lazer Xp Diesel Parts Manual
    - Interactive Elements Lazer Xp Diesel Parts Manual
  8. Staying Engaged with Lazer Xp Diesel Parts Manual
    - Joining Online Reading Communities
    - Participating in Virtual Book Clubs
    - Following Authors and Publishers Lazer Xp Diesel Parts Manual
  9. Balancing eBooks and Physical Books Lazer Xp Diesel Parts Manual
    - Benefits of a Digital Library
    - Creating a Diverse Reading Collection Lazer Xp Diesel Parts Manual
  10. Overcoming Reading Challenges
    - Dealing with Digital Eye Strain
    - Minimizing Distractions
    - Managing Screen Time
  11. Cultivating a Reading Routine Lazer Xp Diesel Parts Manual
    - Setting Reading Goals Lazer Xp Diesel Parts Manual
    - Carving Out Dedicated Reading Time
  12. Sourcing Reliable Information of Lazer Xp Diesel Parts Manual

- Fact-Checking eBook Content of Lazer Xp Diesel Parts Manual
  - Distinguishing Credible Sources
13. Promoting Lifelong Learning
- Utilizing eBooks for Skill Development
  - Exploring Educational eBooks
14. Embracing eBook Trends
- Integration of Multimedia Elements
  - Interactive and Gamified eBooks

### **Lazer Xp Diesel Parts Manual Introduction**

Lazer Xp Diesel Parts Manual Offers over 60,000 free eBooks, including many classics that are in the public domain. Open Library: Provides access to over 1 million free eBooks, including classic literature and contemporary works. Lazer Xp Diesel Parts Manual Offers a vast collection of books, some of which are available for free as PDF downloads, particularly older books in the public domain. Lazer Xp Diesel Parts Manual : This website hosts a vast collection of scientific articles, books, and textbooks. While it operates in a legal gray area due to copyright issues, its a popular resource for finding various publications. Internet Archive for Lazer Xp Diesel Parts Manual : Has an extensive collection of digital content, including books, articles, videos, and more. It has a massive library of free downloadable books. Free-eBooks Lazer Xp Diesel Parts Manual Offers a diverse range of free eBooks across various genres. Lazer Xp Diesel Parts Manual Focuses mainly on educational books, textbooks, and business books. It offers free PDF downloads for educational purposes. Lazer Xp Diesel Parts Manual Provides a large selection of free eBooks in different genres, which are available for download in various formats, including PDF. Finding specific Lazer Xp Diesel Parts Manual, especially related to Lazer Xp Diesel Parts Manual, might be challenging as theyre often artistic creations rather than practical blueprints. However, you can explore the following steps to search for or create your own Online Searches: Look for websites, forums, or blogs dedicated to Lazer Xp Diesel Parts Manual, Sometimes enthusiasts share their designs or concepts in PDF format. Books and Magazines Some Lazer Xp Diesel Parts Manual books or magazines might include. Look for these in online stores or libraries. Remember that while Lazer Xp Diesel Parts Manual, sharing copyrighted material without permission is not legal. Always ensure youre either creating your own or obtaining them from legitimate sources that allow sharing and downloading. Library Check if your local library offers eBook lending services. Many libraries have digital catalogs where you can borrow Lazer Xp Diesel Parts Manual eBooks for free, including popular titles. Online Retailers: Websites like Amazon, Google Books, or Apple Books often sell eBooks. Sometimes, authors or publishers offer promotions or free periods for certain books. Authors Website

Occasionally, authors provide excerpts or short stories for free on their websites. While this might not be the Lazer Xp Diesel Parts Manual full book, it can give you a taste of the authors writing style. Subscription Services Platforms like Kindle Unlimited or Scribd offer subscription-based access to a wide range of Lazer Xp Diesel Parts Manual eBooks, including some popular titles.

## **FAQs About Lazer Xp Diesel Parts Manual Books**

**What is a Lazer Xp Diesel Parts Manual PDF?** A PDF (Portable Document Format) is a file format developed by Adobe that preserves the layout and formatting of a document, regardless of the software, hardware, or operating system used to view or print it. **How do I create a Lazer Xp Diesel Parts Manual PDF?** There are several ways to create a PDF: Use software like Adobe Acrobat, Microsoft Word, or Google Docs, which often have built-in PDF creation tools. Print to PDF: Many applications and operating systems have a "Print to PDF" option that allows you to save a document as a PDF file instead of printing it on paper. Online converters: There are various online tools that can convert different file types to PDF. **How do I edit a Lazer Xp Diesel Parts Manual PDF?** Editing a PDF can be done with software like Adobe Acrobat, which allows direct editing of text, images, and other elements within the PDF. Some free tools, like PDFescape or Smallpdf, also offer basic editing capabilities. **How do I convert a Lazer Xp Diesel Parts Manual PDF to another file format?** There are multiple ways to convert a PDF to another format: Use online converters like Smallpdf, Zamzar, or Adobe Acrobats export feature to convert PDFs to formats like Word, Excel, JPEG, etc. Software like Adobe Acrobat, Microsoft Word, or other PDF editors may have options to export or save PDFs in different formats. **How do I password-protect a Lazer Xp Diesel Parts Manual PDF?** Most PDF editing software allows you to add password protection. In Adobe Acrobat, for instance, you can go to "File" -> "Properties" -> "Security" to set a password to restrict access or editing capabilities. Are there any free alternatives to Adobe Acrobat for working with PDFs? Yes, there are many free alternatives for working with PDFs, such as: LibreOffice: Offers PDF editing features. PDFsam: Allows splitting, merging, and editing PDFs. Foxit Reader: Provides basic PDF viewing and editing capabilities. How do I compress a PDF file? You can use online tools like Smallpdf, ILovePDF, or desktop software like Adobe Acrobat to compress PDF files without significant quality loss. Compression reduces the file size, making it easier to share and download. Can I fill out forms in a PDF file? Yes, most PDF viewers/editors like Adobe Acrobat, Preview (on Mac), or various online tools allow you to fill out forms in PDF files by selecting text fields and entering information. Are there any restrictions when working with PDFs? Some PDFs might have restrictions set by their creator, such as password protection, editing restrictions, or print restrictions. Breaking these restrictions might require specific software or tools, which may or may not be legal depending on the circumstances and local laws.

**Find Lazer Xp Diesel Parts Manual :**

[kymco super 8 50 full service repair manual](#)

**kyocera mita fs 1900 laser printer service manual**

[kymco mxu 50 cc manual](#)

[kymco agility 50cc manual](#)

[kuccps admission list](#)

[kustom signals eyewitness owners manual](#)

[kuka krc4 programming manual](#)

[kuta area of parallelogram](#)

**kuta math expanding logarithms**

[kx250 r1 service manual](#)

[kzn south africa physical science grade 1september](#)

[l a stories volume 3](#)

[kyocera help manual](#)

[kzn grade10 2013 march memo for accounting](#)

[l 1011 operation flight manual](#)

**Lazer Xp Diesel Parts Manual :**

**1040 preguntas tipo test ley 39 2015 de 1 de octubre del** - Dec 08 2022

web 1040 preguntas tipo test ley 39 2015 de 1 de octubre del procedimiento administrativo común valera gómez de la peña vicente j amazon com tr kitap

[1040 preguntas tipo test ley 39 2015 de 1 de octubre](#) - May 01 2022

web 1040 preguntas tipo test ley 39 2015 de 1 de octubre procedimiento administrativo com n incluye texto legal con ndice sistem tico y anal tico derecho pr ctica jur dica pdf descargar 1040 preguntas tipo test ley 39 2015 de descargar 1040 preguntas tipo test ley 39 2015 de 1 de 1040 preguntas tipo test domina por

[test ley 39 15 procedimiento administrativo común de las](#) - Jul 15 2023

web ley 39 2015 de 1 de octubre del procedimiento administrativo común de las administraciones públicas test título preliminar test 1 12 preguntas test título i test 1 20 preguntas test 2 20 preguntas test título ii test 1 20 preguntas test 2 20 preguntas test 3 20 preguntas test 4 20 preguntas test 5 21



*1040 preguntas tipo test 2ª ed ley 39 2015 de 1 de octubre del* - Mar 11 2023

web sep 13 2018 descarga el libro 1040 preguntas tipo test 2ª ed ley 39 2015 de 1 de octubre del procedimiento administrativo comun de vicente valera gratis disponible en formato epub mobi y pdf

*1040 preguntas tipo test ley 39 2015 de 1 de octubre* - Aug 04 2022

web 39 2015 de 1 de octubre 1040 preguntas tipo test ley 39 2015 de 1 de octubre procedimiento administrativo comun incluye texto legal con indice sistematico y analitico derecho practica

**1040 preguntas tipo test lpac ley 39 2015 de 1 de octubre del** - Aug 16 2023

web la presente obra constituye una imprescindible herramienta de carácter práctico para lograr un profundo conocimiento sobre la ley 39 2015 de 1 de octubre del procedimiento administrativo común de las administraciones públicas especialmente útil para procesos selectivos oposiciones pero también para el mundo universitario

1040 preguntas tipo test lpac ley 39 2015 de 1 de octubre del - Sep 05 2022

web 1040 preguntas tipo test lpac vicente junto a la diseñadora gráfica cinthia moure ofrecen una versión fácil estudio y totalmente actualizada de la ley 39 2015 de 1 octubre del procedimiento administrativo común al objeto de favorecer el empleo de la memoria visual algo tradicionalmente poco empleado en el mundo jurídico

**1040 preguntas tipo test ley 39 2015 de 1 de octubre** - Jun 02 2022

web 1040 preguntas tipo test ley 39 2015 de 1 de octubre procedimiento administrativo com n incluye texto legal con ndice sistem tico y anal tico derecho pr ctica jur dica 1 preguntas tipo test lpac ley 39 2015 de 1 de octubre del procedimiento administrativo común derecho práctica jurídica 1220 preguntas tipo test

**test de la ley 39 2015 de 1 de octubre del procedimiento** - Nov 07 2022

web jul 31 2020 ya te has aprendido los mapas mentales estás buscando test de la ley 39 2015 para practicar porque te estás preparando unas oposiciones tómatelo con calma ahora sólo toca hacer test y más test y créeme si

1040 preguntas tipo test lpac ley 39 2015 de 1 de octubre del - Jan 09 2023

web 1040 preguntas tipo test lpac ley 39 2015 de 1 de octubre del procedimiento administrativo común valera vicente amazon com tr kitap

*1040 preguntas tipo test ley 39 2015 de 1 de octubre* - Dec 28 2021

web test ley1040 preguntas tipo test lpac ley 39 2015 de 1 de octubre del procedimiento administrativo común derecho práctica jurídica 1220 preguntas tipo test ley 39 2015 de 2 1040 preguntas tipo test ley 39 2015 de 1 de octubre procedimiento administrativo com n incluye texto legal con ndice sistem tico y anal tico

**1040 preguntas tipo test ley 39 2015 de 1 de octubre** - May 13 2023

web 1040 preguntas tipo test ley 39 2015 de 1 de octubre procedimiento administrativo común incluye texto legal con índice

sistemático y analítico derecho práctica jurídica valera vicente amazon es libros

**1040 preguntas tipo test lpac 3ª ed ley 39 2015 de 1 de octubre** - Feb 10 2023

web compra el libro 1040 preguntas tipo test lpac 3ª ed ley 39 2015 de 1 de octubre del procedimiento administrativo comun con isbn 9788430981243 al mejor precio en casa del libro descubre envíos gratis y rápidos

**test de la ley 39 2015 test oposiciones** - Jun 14 2023

web preparación de oposiciones test de la ley 39 2015 en este apartado se irán publicando los test de la ley 39 2015 de 1 de octubre del procedimiento administrativo común de las administraciones públicas para la preparación de tu oposición estos test se han dividido en los títulos que integran la ley 39 2015 test de la ley 39 2015

**test gratis título preliminar ley 40 2015 de 1 de octubre** - Feb 27 2022

web aug 28 2020 es de las más importantes junto con la ley 39 2015 de 1 de octubre son preguntas tipo test de otros exámenes y tendrás un total de 150 preguntas de esta ley fundamental en las oposiciones las soluciones las encontrarás al final edición 2023 nº de preguntas 150

1040 preguntas tipo test ley 39 2015 de 1 de octubre - Jan 29 2022

web lpac ley 39 2015 de 1 de octubre del procedimiento administrativo común derecho práctica jurídica 1220 preguntas tipo test ley 39 2015 de 4 1040 preguntas tipo test ley 39 2015 de 1 de octubre procedimiento administrativo com n incluye texto legal con ndice sistem tico y anal tico derecho pr ctica jur dica 2023 05 31

1040 preguntas tipo test lpac librerías marcial pons - Apr 12 2023

web 1040 preguntas tipo test lpac ley 39 2015 de 1 de octubre del procedimiento administrativo común valera vicente isbn 9788430981243 editorial editorial tecnos fecha de la edición 2020 lugar de la edición madrid españa edición número 3ª ed encuadernación rústica

*1040 preguntas tipo test ley 39 2015 de 1 de octubre* - Jul 03 2022

web 1040 preguntas tipo test lpac ley 39 2015 de 1 de octubre 1040 preguntas tipo test ley 40 2015 de 1 de octubre descargar 1040 preguntas tipo test la consti constitución

**extracto 10 1040 preguntas tipo test lpac ley 39 2015** - Oct 06 2022

web extracto 10 1040 preguntas tipo test lpac ley 39 2015 pdf extracto 10 1040 preguntas tipo test lpac ley 39 2015 read online for free scribd is the world s largest social reading and publishing site  
*test 39 2015 y 40 2015 tests online* - Mar 31 2022

web 39 2015 y 40 2015 no hay ningún comentario sobre este test conforme a lo dispuesto en el art 28 de la ley 39 2015 de 1 de octubre del pacap los interesados no estarán obligados a aportar documentos que hayan sido elaborados por cualquier administración cuando la presentación de los citados documentos tenga carácter facultativo en el

[mastaram pdf](#) - Jul 20 2023

web ek prem kahani meri bhi novel book lifefeeling 1 pdf ek prem kahani meri bhi novel book lifefeeling 1 pdf pankaj singh chuni hui kavitayen chuni hui kavitayen get our free apps audiobooks books documents magazines podcasts sheet music language english close menu english selected

[3 mastram ki kahaniya](#) - May 18 2023

web may 6 2020 [mastram](#) [3 may 6 2020 mastram](#)

[phir teri kahani yaad aayee wikipedia](#) - Feb 03 2022

web music for phir teri kahani yaad aayi was composed by anu malik while lyrics were penned by qateel shifai kaifi azmi and zameer kazmi the soundtrack consisting of 9 tracks was released on tips music on 16 july 1993 the song tere dar par sanam was sung in both male and female version were sung by kumar sanu and sadhana sargam the

**mastram kahani free kahani pdf kelliemay** - Nov 12 2022

web dec 4 2022 on line publication mastram kahani free kahani as competently as review them wherever you are now short stories by munshi premchand invincible classics munshi premchand 2018

**mastram musafir kahani download free pdf download pdf full** - Oct 11 2022

web introduction mastram musafir kahani download free pdf download pdf full pdf embedded systems james k peckol 2019 06 10 embedded systems a contemporary design tool second edition embedded systems are one of the foundational elements of todays evolving and growing computer technology from operating our cars managing

[garam kahani mastram](#) - Apr 17 2023

web [pushpa ki adhuri suhagrat antarvasna mastram](#) january 20 2022 0

[-](#) Mar 16 2023

web [ajab prem ki ghazab kahani wikipedia](#) - Jul 08 2022

web hindi budget 25 crore 1 box office 103 73 crore 1 [ajab prem ki ghazab kahani](#) transl an amazing story of a strange love is

a 2009 indian hindi language romantic comedy film written and directed by rajkumar santoshi based on a script written in conjunction with rajesh tailang and a story written in conjunction with k

**andaz e mastram super sexy novels** - Sep 10 2022

web aankhen lengi intkaam ye upanyaas mai 8 saal se dhoodh raha hoon lekin mujhe kahi nahi mila agar aap is upanyas ko pdf me pradarshit karen to badi meharbani hogi thank you aankhen lengi intkaam yeh upanyaas mai 8 saal se [choti si kahani wikipedia](#) - Apr 05 2022



kahani duacartoons dreamstories hauntedstoriesi

[rocky aur rani kii prem kahani is now available to watch](#) - Jan 14 2023

web 16 hours ago the movie is now accessible to stream for free on amazon prime video where it was previously offered for rental rocky aur rani kii prem kahaani s ott version has an additional 10 minutes cut from the original because of time constraints the total running time of the movie now stands at 2 hours 58 minutes

👍 👍 👍 👍 👍 **2022** 📖📖📖 📖 📖 📖 **best new mastram ki kahani** - Aug 21 2023

web feb 7 2022 hindi story 7 february 2022 admin 3 comments mastram ki kahani 📖 📖 📖 📖 📖 📖 📖 📖 📖 📖 📖 📖 📖 📖 📖 📖

📖 📖 📖 📖 📖 📖 📖 📖 📖 📖 📖 📖 📖 📖 📖 📖

[brewed awakening berkley prime crime coffeehouse mysteries 18](#) - Apr 07 2023

web buy brewed awakening berkley prime crime coffeehouse mysteries 18 by coyle cleo isbn 9780451488879 from amazon s book store everyday low prices and free delivery on eligible orders

**brewed awakening coffeehouse mystery 18 by cleo coyle goodreads** - Oct 13 2023

web dec 19 2019 coffeehouse mystery 18 brewed awakening cleo coyle 4 17 2 888 ratings362 reviews from cleo coyle the new york times bestselling author of shot in the dark and dead cold brew comes a delicious new entry in the fun and gripping huffington post coffeehouse mysteries

[brewed awakening a coffeehouse mystery 18 abebooks](#) - Feb 05 2023

web abebooks com brewed awakening a coffeehouse mystery 18 9781432862831 by coyle cleo and a great selection of similar new used and collectible books available now at great prices

**brewed awakening by cleo coyle coffeehouse mystery 18** - Jul 10 2023

web jun 16 2020 leave a comment brewed awakening the title of the 18th book in cleo coyle s popular coffeehouse mystery series is an apt pun for the situation in which coffeehouse manager clare cosi finds herself in the first chapter two months after mike quinn s marriage proposal to her in the village blend which is recounted in the

[brewed awakening a coffeehouse mystery book 18 en](#) - Aug 31 2022

web brewed awakening the ghost and the haunted mansion decaffeinated corpse the ghost and the haunted portrait brewed awakening a coffeehouse mystery book 18 en downloaded from autoconfig ablogtowatch com by guest kelley marshall once upon a grind sourcebooks inc from the new york times bestselling author of once upon a

**pdf brewed awakening a coffeehouse mystery book 18 en** - Jan 04 2023

web brewed awakening a coffeehouse mystery book 18 en the ghost and the stolen tears jan 26 2021 with the help of her gumshoe ghost bookshop owner penelope thornton mcclure sets out to clear an innocent woman of a shocking crime in this all new entry in the utterly charming

*brewed awakening a coffeehouse mystery book 18 kindle* - Jul 30 2022

web dec 3 2019 when coffeehouse manager clare cosi awakens on a bench in washington square park she has no idea she s been missing for days or that her friends and family have been frantic with worry now that she s back everyone is overjoyed including a handsome nypd detective who claims to be her fiancé

*brewed awakening coffeehouse mystery book 18 by cleo coyle* - Jun 09 2023

web when coffeehouse manager clare cosi awakens on a bench in washington square park she has no idea she s been missing for days or that her friends and family have been frantic with worry now that she s back everyone is overjoyed including a handsome nypd detective who claims to be her fiancé

**brewed awakening a coffeehouse mystery amazon com** - Jun 28 2022

web dec 3 2019 amazon com brewed awakening a coffeehouse mystery 9780451488879 coyle cleo books

*brewed awakening a coffeehouse mystery book 18 kindle edition* - Aug 11 2023

web brewed awakening a coffeehouse mystery book 18 ebook coyle cleo amazon com au books

**brewed awakening 18 a coffeehouse mystery amazon in** - Apr 26 2022

web brewed awakening 18 a coffeehouse mystery coyle cleo amazon in books skip to main content in hello select your address books select the department en hello sign in account lists returns orders

**brewed awakening a coffeehouse mystery book 18** - Sep 12 2023

web dec 3 2019 brewed awakening a coffeehouse mystery book 18 kindle edition by coyle cleo download it once and read it on your kindle device pc phones or tablets use features like bookmarks note taking and highlighting while reading brewed awakening a coffeehouse mystery book 18

**brewed awakening coffeehouse mystery 18 by cleo coyle book** - Mar 26 2022

web rate this book ratings reviews for brewed awakening

*brewed awakening a coffeehouse mystery book 18 en* - Nov 02 2022

web when coffeehouse manager turned amateur sleuth clare cosi roasts magic beans for fairy tale week she brews up a vision that leads to a sleeping beauty in central park a big bad wolf of wall street and an east side enclave with storybook secrets

**brewed awakening a coffeehouse mystery amazon com** - May 28 2022

web jul 6 2021 brewed awakening a coffeehouse mystery mass market paperback july 6 2021 from cleo coyle the new york times bestselling author of shot in the dark and dead cold brew comes a delicious new entry in the fun and gripping the huffington post coffeehouse mysteries

**brewed awakening a coffeehouse mystery book 18 kindle** - Feb 22 2022

web brewed awakening a coffeehouse mystery book 18 ebook coyle cleo amazon in kindle store

[brewed awakening a coffeehouse mystery bk 18](#) - Dec 03 2022

web jul 6 2021 when coffeehouse manager clare cosi awakens on a bench in washington square park she has no idea she s been missing for the past week or that her friends and family have been frantic with worry now that she s back everyone is overjoyed including a handsome nypd detective who claims to be her fiancé

**brewed awakening a coffeehouse mystery 18 mass market book** - Mar 06 2023

web this is book number 18 in the a coffeehouse mystery series 1 on what grounds a coffeehouse mystery 1 mass market 7 99

2 through the grinder a coffeehouse mystery 2 mass market 7 99

*amazon com customer reviews brewed awakening a coffeehouse mystery* - Oct 01 2022

web find helpful customer reviews and review ratings for brewed awakening a coffeehouse mystery book 18 at amazon com

read honest and unbiased product reviews from our users

[brewed awakening a coffeehouse mystery series book 18](#) - May 08 2023

web brewed awakening a coffeehouse mystery series book 18 adobe epub ebook kindle book overdrive read