

Fig. 1

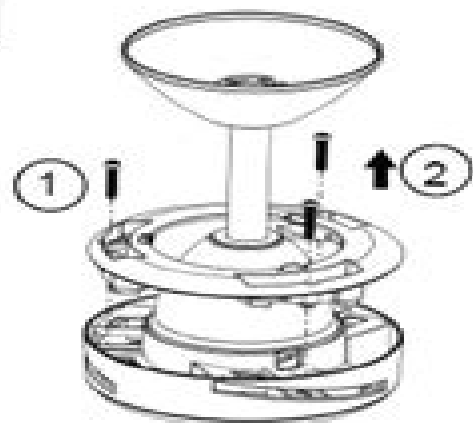


Fig. 2

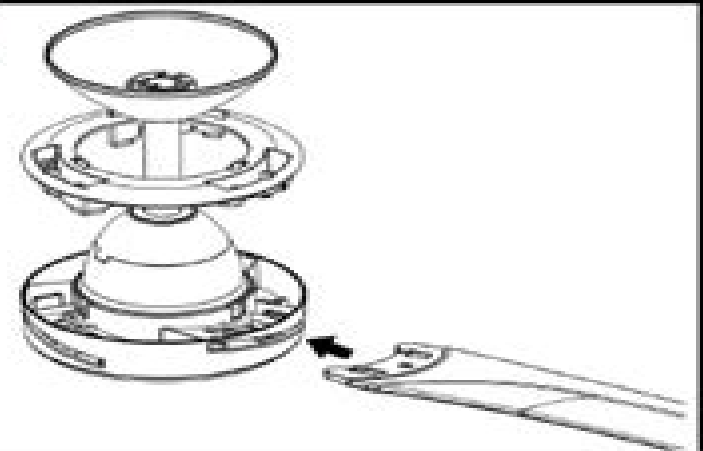


Fig. 3

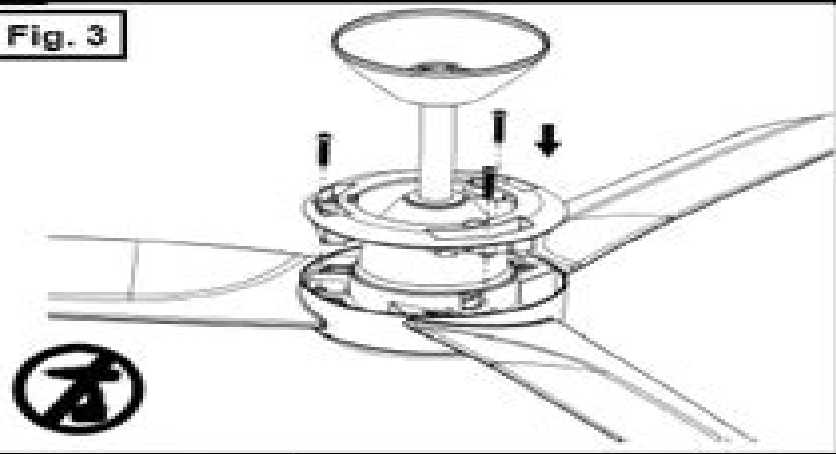
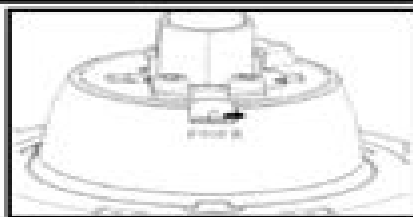
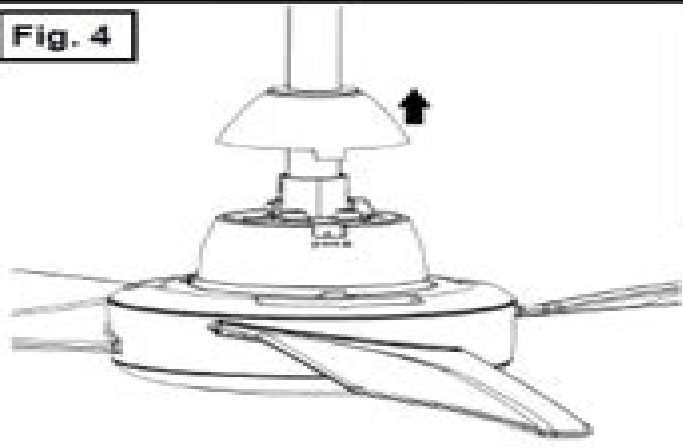


Fig. 4



To change from
Summer (F) to
Winter (R) Mode

Hunter Pacific Wall Control Manual

D Siedentop



Hunter Pacific Wall Control Manual:

Pacific Ports Manual ,1921 Poor's Manual of Railroads ,1899 With an appendix containing a full analysis of the debts of the United States the several states municipalities etc Also statements of street railway and traction companies industrial corporations etc statement omitted on later vols **The Manual of Statistics** ,1920 **The Manual of Statistics** Charles M. Goodsell, Henry E. Wallace, 1920 **Moody's Manual of Railroads and Corporation Securities** ,1915 **Doubleday, Page & Co.'s Geographical Manual and New Atlas** Christopher Orlando Sylvester Mawson, 1918 **Naval Training Bulletin** ,1944 **Catalog of Copyright Entries. Third Series** Library of Congress. Copyright Office, 1962 Includes Part 1 Number 1 Books and Pamphlets Including Serials and Contributions to Periodicals January June **The Pacific Reporter** ,1918 The United States Catalog ,1924 The Cumulative Daily Digest of Corporation News ,1927 *Official Gazette of the United States Patent Office* United States. Patent Office, 1972 Catalogue of Title-entries of Books and Other Articles Entered in the Office of the Librarian of Congress, at Washington, Under the Copyright Law ... Wherein the Copyright Has Been Completed by the Deposit of Two Copies in the Office Library of Congress. Copyright Office, 1956

Pacific Builder & Engineer ,1927 **Popular Mechanics** ,1981-11 Popular Mechanics inspires instructs and influences readers to help them master the modern world Whether it s practical DIY home improvement tips gadgets and digital technology information on the newest cars or the latest breakthroughs in science PM is the ultimate guide to our high tech lifestyle Industrial Marketing ,1960-07 Vol for 1963 includes Media market planning guide issues semi annual *The Americana* ,1911 **The Americana** Frederick Converse Beach, George Edwin Rines, 1908 Ecological Forest Management Jerry F. Franklin, K. Norman Johnson, Debora L. Johnson, 2018-03-19 Fundamental changes have occurred in all aspects of forestry over the last 50 years including the underlying science societal expectations of forests and their management and the evolution of a globalized economy This textbook is an effort to comprehensively integrate this new knowledge of forest ecosystems and human concerns and needs into a management philosophy that is applicable to the vast majority of global forest lands Ecological forest management EFM is focused on policies and practices that maintain the integrity of forest ecosystems while achieving environmental economic and cultural goals of human societies EFM uses natural ecological models as its basis contrasting it with modern production forestry which is based on agronomic models and constrained by required return on investment Sections of the book consider 1 Basic concepts related to forest ecosystems and silviculture based on natural models 2 Social and political foundations of forestry including law economics and social acceptability 3 Important current topics including wildfire biological diversity and climate change and 4 Forest planning in an uncertain world from small privately owned lands to large public ownerships The book concludes with an overview of how EFM can contribute to resolving major 21st century issues in forestry including sustaining forest dependent societies *The Fitch Bond Book Describing the Most Important Bond Issues of the United States and Canada* ,1929

Getting the books **Hunter Pacific Wall Control Manual** now is not type of challenging means. You could not isolated going considering books hoard or library or borrowing from your friends to get into them. This is an enormously simple means to specifically acquire lead by on-line. This online statement Hunter Pacific Wall Control Manual can be one of the options to accompany you bearing in mind having new time.

It will not waste your time. agree to me, the e-book will no question melody you supplementary business to read. Just invest tiny times to right to use this on-line notice **Hunter Pacific Wall Control Manual** as capably as evaluation them wherever you are now.

<https://staging.conocer.cide.edu/public/scholarship/HomePages/fetal%20pig%20dissection%20lab%20analysis%20answers.pdf>

Table of Contents Hunter Pacific Wall Control Manual

1. Understanding the eBook Hunter Pacific Wall Control Manual
 - The Rise of Digital Reading Hunter Pacific Wall Control Manual
 - Advantages of eBooks Over Traditional Books
2. Identifying Hunter Pacific Wall Control Manual
 - Exploring Different Genres
 - Considering Fiction vs. Non-Fiction
 - Determining Your Reading Goals
3. Choosing the Right eBook Platform
 - Popular eBook Platforms
 - Features to Look for in an Hunter Pacific Wall Control Manual
 - User-Friendly Interface
4. Exploring eBook Recommendations from Hunter Pacific Wall Control Manual
 - Personalized Recommendations
 - Hunter Pacific Wall Control Manual User Reviews and Ratings

- Hunter Pacific Wall Control Manual and Bestseller Lists
- 5. Accessing Hunter Pacific Wall Control Manual Free and Paid eBooks
 - Hunter Pacific Wall Control Manual Public Domain eBooks
 - Hunter Pacific Wall Control Manual eBook Subscription Services
 - Hunter Pacific Wall Control Manual Budget-Friendly Options
- 6. Navigating Hunter Pacific Wall Control Manual eBook Formats
 - ePub, PDF, MOBI, and More
 - Hunter Pacific Wall Control Manual Compatibility with Devices
 - Hunter Pacific Wall Control Manual Enhanced eBook Features
- 7. Enhancing Your Reading Experience
 - Adjustable Fonts and Text Sizes of Hunter Pacific Wall Control Manual
 - Highlighting and Note-Taking Hunter Pacific Wall Control Manual
 - Interactive Elements Hunter Pacific Wall Control Manual
- 8. Staying Engaged with Hunter Pacific Wall Control Manual
 - Joining Online Reading Communities
 - Participating in Virtual Book Clubs
 - Following Authors and Publishers Hunter Pacific Wall Control Manual
- 9. Balancing eBooks and Physical Books Hunter Pacific Wall Control Manual
 - Benefits of a Digital Library
 - Creating a Diverse Reading Collection Hunter Pacific Wall Control Manual
- 10. Overcoming Reading Challenges
 - Dealing with Digital Eye Strain
 - Minimizing Distractions
 - Managing Screen Time
- 11. Cultivating a Reading Routine Hunter Pacific Wall Control Manual
 - Setting Reading Goals Hunter Pacific Wall Control Manual
 - Carving Out Dedicated Reading Time
- 12. Sourcing Reliable Information of Hunter Pacific Wall Control Manual
 - Fact-Checking eBook Content of Hunter Pacific Wall Control Manual
 - Distinguishing Credible Sources

13. Promoting Lifelong Learning
 - Utilizing eBooks for Skill Development
 - Exploring Educational eBooks
14. Embracing eBook Trends
 - Integration of Multimedia Elements
 - Interactive and Gamified eBooks

Hunter Pacific Wall Control Manual Introduction

Free PDF Books and Manuals for Download: Unlocking Knowledge at Your Fingertips In today's fast-paced digital age, obtaining valuable knowledge has become easier than ever. Thanks to the internet, a vast array of books and manuals are now available for free download in PDF format. Whether you are a student, professional, or simply an avid reader, this treasure trove of downloadable resources offers a wealth of information, conveniently accessible anytime, anywhere. The advent of online libraries and platforms dedicated to sharing knowledge has revolutionized the way we consume information. No longer confined to physical libraries or bookstores, readers can now access an extensive collection of digital books and manuals with just a few clicks. These resources, available in PDF, Microsoft Word, and PowerPoint formats, cater to a wide range of interests, including literature, technology, science, history, and much more. One notable platform where you can explore and download free Hunter Pacific Wall Control Manual PDF books and manuals is the internet's largest free library. Hosted online, this catalog compiles a vast assortment of documents, making it a veritable goldmine of knowledge. With its easy-to-use website interface and customizable PDF generator, this platform offers a user-friendly experience, allowing individuals to effortlessly navigate and access the information they seek. The availability of free PDF books and manuals on this platform demonstrates its commitment to democratizing education and empowering individuals with the tools needed to succeed in their chosen fields. It allows anyone, regardless of their background or financial limitations, to expand their horizons and gain insights from experts in various disciplines. One of the most significant advantages of downloading PDF books and manuals lies in their portability. Unlike physical copies, digital books can be stored and carried on a single device, such as a tablet or smartphone, saving valuable space and weight. This convenience makes it possible for readers to have their entire library at their fingertips, whether they are commuting, traveling, or simply enjoying a lazy afternoon at home. Additionally, digital files are easily searchable, enabling readers to locate specific information within seconds. With a few keystrokes, users can search for keywords, topics, or phrases, making research and finding relevant information a breeze. This efficiency saves time and effort, streamlining the learning process and allowing individuals to focus on extracting the information they need. Furthermore, the availability of free PDF books and manuals fosters a culture of continuous learning.

By removing financial barriers, more people can access educational resources and pursue lifelong learning, contributing to personal growth and professional development. This democratization of knowledge promotes intellectual curiosity and empowers individuals to become lifelong learners, promoting progress and innovation in various fields. It is worth noting that while accessing free Hunter Pacific Wall Control Manual PDF books and manuals is convenient and cost-effective, it is vital to respect copyright laws and intellectual property rights. Platforms offering free downloads often operate within legal boundaries, ensuring that the materials they provide are either in the public domain or authorized for distribution. By adhering to copyright laws, users can enjoy the benefits of free access to knowledge while supporting the authors and publishers who make these resources available. In conclusion, the availability of Hunter Pacific Wall Control Manual free PDF books and manuals for download has revolutionized the way we access and consume knowledge. With just a few clicks, individuals can explore a vast collection of resources across different disciplines, all free of charge. This accessibility empowers individuals to become lifelong learners, contributing to personal growth, professional development, and the advancement of society as a whole. So why not unlock a world of knowledge today? Start exploring the vast sea of free PDF books and manuals waiting to be discovered right at your fingertips.

FAQs About Hunter Pacific Wall Control Manual Books

1. Where can I buy Hunter Pacific Wall Control Manual books? Bookstores: Physical bookstores like Barnes & Noble, Waterstones, and independent local stores. Online Retailers: Amazon, Book Depository, and various online bookstores offer a wide range of books in physical and digital formats.
2. What are the different book formats available? Hardcover: Sturdy and durable, usually more expensive. Paperback: Cheaper, lighter, and more portable than hardcovers. E-books: Digital books available for e-readers like Kindle or software like Apple Books, Kindle, and Google Play Books.
3. How do I choose a Hunter Pacific Wall Control Manual book to read? Genres: Consider the genre you enjoy (fiction, non-fiction, mystery, sci-fi, etc.). Recommendations: Ask friends, join book clubs, or explore online reviews and recommendations. Author: If you like a particular author, you might enjoy more of their work.
4. How do I take care of Hunter Pacific Wall Control Manual books? Storage: Keep them away from direct sunlight and in a dry environment. Handling: Avoid folding pages, use bookmarks, and handle them with clean hands. Cleaning: Gently dust the covers and pages occasionally.
5. Can I borrow books without buying them? Public Libraries: Local libraries offer a wide range of books for borrowing.

- Book Swaps: Community book exchanges or online platforms where people exchange books.
6. How can I track my reading progress or manage my book collection? Book Tracking Apps: Goodreads, LibraryThing, and Book Catalogue are popular apps for tracking your reading progress and managing book collections. Spreadsheets: You can create your own spreadsheet to track books read, ratings, and other details.
 7. What are Hunter Pacific Wall Control Manual audiobooks, and where can I find them? Audiobooks: Audio recordings of books, perfect for listening while commuting or multitasking. Platforms: Audible, LibriVox, and Google Play Books offer a wide selection of audiobooks.
 8. How do I support authors or the book industry? Buy Books: Purchase books from authors or independent bookstores. Reviews: Leave reviews on platforms like Goodreads or Amazon. Promotion: Share your favorite books on social media or recommend them to friends.
 9. Are there book clubs or reading communities I can join? Local Clubs: Check for local book clubs in libraries or community centers. Online Communities: Platforms like Goodreads have virtual book clubs and discussion groups.
 10. Can I read Hunter Pacific Wall Control Manual books for free? Public Domain Books: Many classic books are available for free as they're in the public domain. Free E-books: Some websites offer free e-books legally, like Project Gutenberg or Open Library.

Find Hunter Pacific Wall Control Manual :

fetal pig dissection lab analysis answers

[fiat 540 special tractor workshop manual](#)

[fiat punto 2015 user manual greek](#)

[fiberglass boat repair maintenance](#)

[fiat doblo service manual](#)

[fet neconomics question papers](#)

[fiat punto troubleshooting guide](#)

[fettucini vegetables recipe margarine](#)

[fiat punto classic manual service repair](#)

ferrari 208 turbo manual

[fet nated question papers n3](#)

[ferrari 550 maranella car workshop service manual](#)

fiat 500l user manual

[fiat panda manual transmission](#)

fiberglass repair how to

Hunter Pacific Wall Control Manual :

Leading Edge Publishing - 737 Cockpit Companion, FMC ... Leading Edge Publishing offers a range of 737 Cockpit Companion, QRG, FMC User Guides & Cockpit Companion for iPad to meet your aviation needs. Flight Management Computer Info and screenshots from the many 737 FMC updates. ... This is usually automatic but manual selections can be made here. The most ... The Bill Bulfer Books B737NG FMC USER'S GUIDE. The 737 Flight Management Computers (FMC) are managed using the Control Display Units (CDU) on either side of the lower Display Unit (... FMC Users Guide Boeing 737 | 60037 The FMC B-737 guide concentrates on the FMC built by Smiths Industries and includes technical drawings and teaching diagrams. The companion volume covers the B- ... 737-Smiths-FMC-Guide.pdf Jul 27, 2001 — MANUAL. Refer to the Boeing Airplane Company 737-300/400/500 operations manual or the 737-600/700/800 operations manual ... Boeing 737-800X FMC Manual 1.0.0 | PDF | Aviation Boeing 737-800X FMC Manual 1.0.0 - Read online for free. 737 FMC User Guide - Studylib 737 FMC USER'S GUIDE Advanced Guide to the 737 Flight Management Computer May 01 737 ... FMC CONFIGURATION Dec 95 DUAL FMC CONFIGURATION - B737 A dual FMC ... PMDG 737 This manual was compiled for use only with the PMDG 737 simulation for Microsoft Flight Simulator. The information contained within this manual is derived. Fundamentals of Nursing: Human Health and Function All-new, richly illustrated concept maps , ideal for visual learners, apply the nursing process and critical thinking to the chapter-opening case scenarios. Fundamentals of Nursing - Wolters Kluwer Jan 22, 2020 — ... nursing process framework that clarifies key capabilities, from promoting health to differentiating between normal function and dysfunction ... Fundamentals of Nursing: Human Health and Function This book covers everything you need to get you through your fundamental course , it is very thorough , an amazing book , it's easy to read and totally helpful , ... Fundamentals of nursing : human health and function What is Culture? Communication in the Nurse-Patient Relationship. Values, Ethics, and Legal Issues. Nursing Research and Evidence-Based ... Nursing Fundamentals Fundamentals of Nursing: The Art and Science of Nursing Care. Text, Study Guide and Video Guide to Clinical Nursing Skills Set on CD-ROM Package. \$150.45. Fundamentals of Nursing: Human Health and Function ... Ruth F. The Fourth Edition of this comprehensive text provides an introduction to the broad range of the discipline of nursing, including theory, the nursing ... Fundamentals of Nursing: Human Health and Function ... Fundamentals of Nursing: Human Health and Function (Enhanced with Media) 7th Edition is written by Ruth Craven and published by Lippincott Williams & Wilkins. Fundamentals of Nursing: Human Health And Function ... Johnson, Joyce Young; Vaughans, Bennita W.; Prather-Hicks, Phyllis ... Synopsis:

This study guide includes chapter overviews, critical thinking case studies, and ... Fundamentals of nursing : human health and function ... Spiritual health. Ch. 1. The changing face of nursing -- Ch. 2. Community-based nursing and continuity of care -- Ch. 3. The profession of nursing -- Ch. 4. Fundamentals of nursing: Human health and function Download Citation | Fundamentals of nursing: Human health and function: Seventh edition | This groundbreaking text emphasizes critical thinking by weaving ... Service Manual YDRE+YDRA Jan 20, 2020 — Service Manual YDRE+YDRA Electric Yamaha. ... 2007-2014 yamaha Ydra/ydre have internal wet brakes. cgtech is ... YAMAHA YDRA OWNER'S/OPERATOR'S MANUAL Pdf ... This manual contains information you will need for proper operation, maintenance, and care of your golf car. A thorough understanding of these simple ... YAMAHA GOLFCARS OWNER'S MANUALS FIND YOUR OWNER'S MANUAL. Golf Car. Year, 2022, 2021, 2020, 2019, 2018, 2017, 2016, 2015, 2014, 2013, 2012, 2011, 2010, 2009, 2008, 2007, 2006, 2005, 2004, 2003 ... 2007 YDRE service manual needed Aug 12, 2021 — Reload this Page 2007 YDRE service manual needed. Thread Tools. Similar Threads. Thread, Forum. Service Manual YDRE+YDRA, Electric Yamaha. 2009 YDRE/Drive ... Yamaha Drive 07-10 Service Manual Service Manual, Yamaha Drive 07 ... RHOX GOLF CART ACCESSORIES. Yamaha Drive 07-10 Service Manual. Out of stock. YDRA Congratulations on your purchase of a. Yamaha golf car. This manual contains information you will need for proper operation, maintenance, and care of your golf ... G29A/E YDRA/E - 2007 Service Manual Yamaha Golf G29A/E, YDRA/E - 2007 Service Manual for G29A/E Golf carts. Yamaha Ydra 2007 Service Manual Pdf Page 1. Yamaha Ydra 2007 Service Manual Pdf. INTRODUCTION Yamaha Ydra 2007 Service Manual Pdf. (PDF) Yamaha G29A Petrol Owners Manual If you have any questions about the operation or maintenance of your golf car, please consult a Yamaha dealer. YAMAHA GOLF-CAR COMPANY. YDRA OWNER'S/OPERATOR'S. YDRE - 48 VOLT GOLF CAR Yamaha Golf-Car Company hereby warrants that any new YDRA gas or YDRE electric Yamaha golf car ... as specified in the Yamaha Service Manual Maintenance. Schedule ...