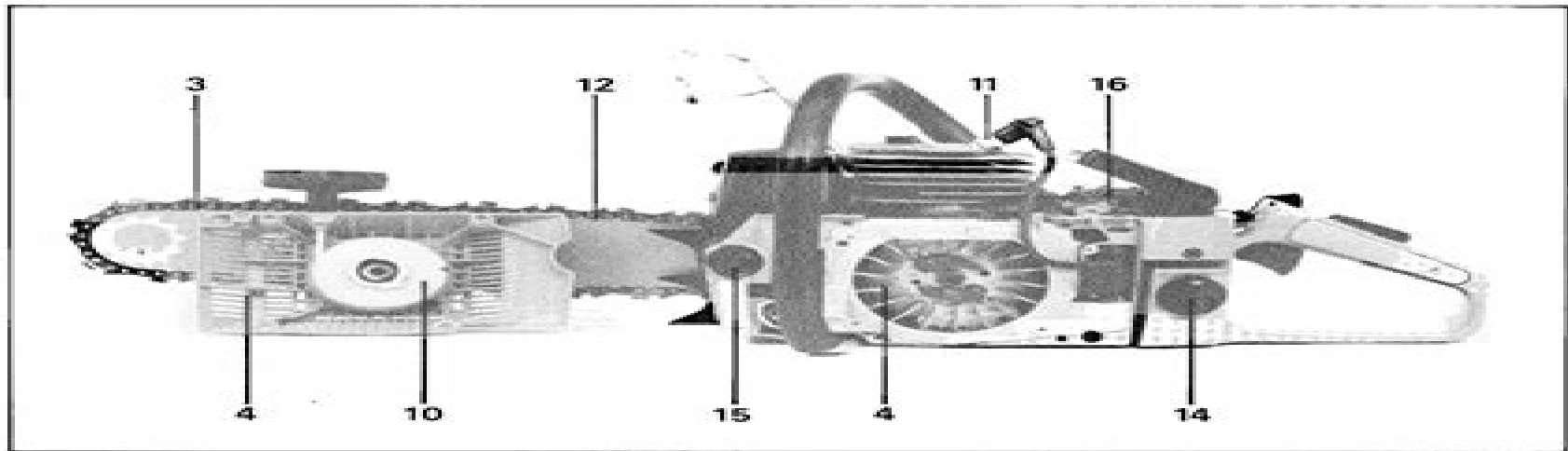


Maintenance of the chain saw



Daily maintenance

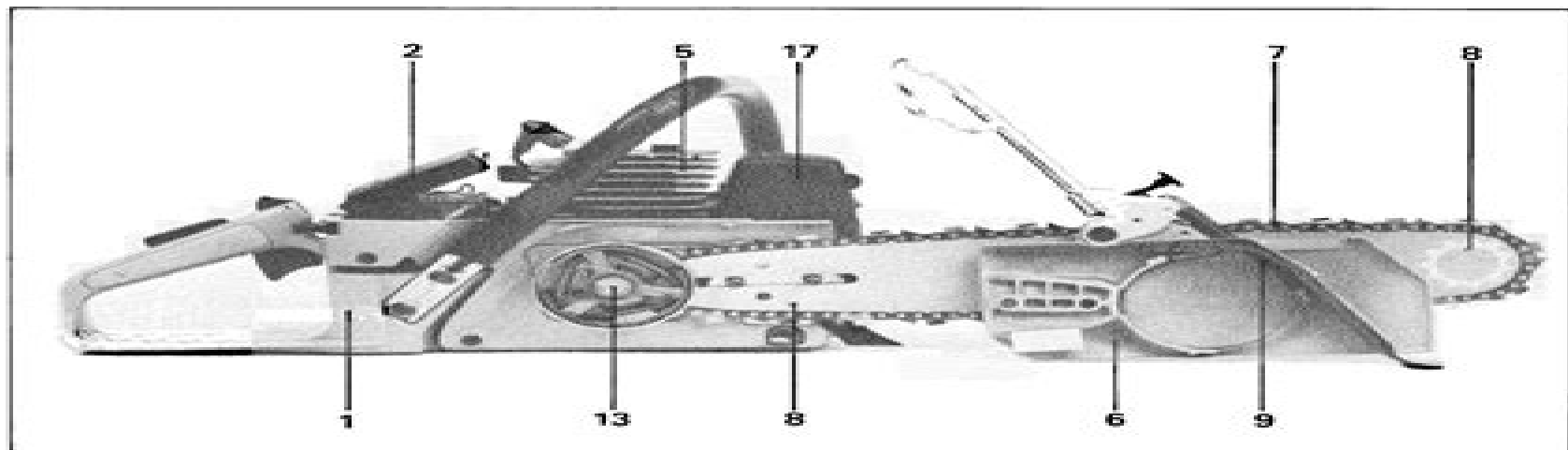
1. Clean the saw body from the outside.
2. Clean the air filter. Change if necessary.
3. Turn around the guide bar, lower edge up. Clean the bar groove.
4. Clean the fan and air intakes in the starter cover.
5. Clean the cooling fins on the cylinder.
6. Clean the space under the clutch cover.
7. Sharpen the chain and check its tension.
8. Check the oiling system for the chain and the guide bar.
9. Clean the chain brake. Make it a habit to lock the chain brake during pauses and transports.

Weekly maintenance

10. Check the starter, its cord and return spring.
11. Clean the spark plug from the outside and check the gap. Adjust the gap or change the plug if necessary.
12. File off burrs if any on the sides of the guide bar.
13. Lubricate the bearings of the clutch drum.

Monthly maintenance

14. Wash out the fuel tank with petrol.
15. Wash out the oil tank with petrol.
16. Clean the carburettor.
17. Check the fire-fighting screen inside the silencer. Clean or change if necessary.



Husqvarna 266se Manual

Jin-Ying Zhang



Husqvarna 266se Manual:

Adopting the Beat of Appearance: An Psychological Symphony within **Husqvarna 266se Manual**

In some sort of eaten by monitors and the ceaseless chatter of fast interaction, the melodic elegance and emotional symphony developed by the prepared word frequently diminish in to the back ground, eclipsed by the relentless sound and distractions that permeate our lives. But, nestled within the pages of **Husqvarna 266se Manual** a marvelous literary value full of fresh thoughts, lies an immersive symphony waiting to be embraced. Crafted by an outstanding composer of language, this fascinating masterpiece conducts viewers on a psychological journey, well unraveling the hidden songs and profound affect resonating within each carefully crafted phrase. Within the depths of this emotional analysis, we shall examine the book is central harmonies, analyze their enthralling writing type, and submit ourselves to the profound resonance that echoes in the depths of readers souls.

https://staging.conocer.cide.edu/public/virtual-library/default.aspx/espaa_cultura_y_civilizacin.pdf

Table of Contents Husqvarna 266se Manual

1. Understanding the eBook Husqvarna 266se Manual
 - The Rise of Digital Reading Husqvarna 266se Manual
 - Advantages of eBooks Over Traditional Books
2. Identifying Husqvarna 266se Manual
 - Exploring Different Genres
 - Considering Fiction vs. Non-Fiction
 - Determining Your Reading Goals
3. Choosing the Right eBook Platform
 - Popular eBook Platforms
 - Features to Look for in an Husqvarna 266se Manual
 - User-Friendly Interface
4. Exploring eBook Recommendations from Husqvarna 266se Manual
 - Personalized Recommendations

- Husqvarna 266se Manual User Reviews and Ratings
- Husqvarna 266se Manual and Bestseller Lists
- 5. Accessing Husqvarna 266se Manual Free and Paid eBooks
 - Husqvarna 266se Manual Public Domain eBooks
 - Husqvarna 266se Manual eBook Subscription Services
 - Husqvarna 266se Manual Budget-Friendly Options
- 6. Navigating Husqvarna 266se Manual eBook Formats
 - ePub, PDF, MOBI, and More
 - Husqvarna 266se Manual Compatibility with Devices
 - Husqvarna 266se Manual Enhanced eBook Features
- 7. Enhancing Your Reading Experience
 - Adjustable Fonts and Text Sizes of Husqvarna 266se Manual
 - Highlighting and Note-Taking Husqvarna 266se Manual
 - Interactive Elements Husqvarna 266se Manual
- 8. Staying Engaged with Husqvarna 266se Manual
 - Joining Online Reading Communities
 - Participating in Virtual Book Clubs
 - Following Authors and Publishers Husqvarna 266se Manual
- 9. Balancing eBooks and Physical Books Husqvarna 266se Manual
 - Benefits of a Digital Library
 - Creating a Diverse Reading Collection Husqvarna 266se Manual
- 10. Overcoming Reading Challenges
 - Dealing with Digital Eye Strain
 - Minimizing Distractions
 - Managing Screen Time
- 11. Cultivating a Reading Routine Husqvarna 266se Manual
 - Setting Reading Goals Husqvarna 266se Manual
 - Carving Out Dedicated Reading Time
- 12. Sourcing Reliable Information of Husqvarna 266se Manual
 - Fact-Checking eBook Content of Husqvarna 266se Manual

- Distinguishing Credible Sources
- 13. Promoting Lifelong Learning
 - Utilizing eBooks for Skill Development
 - Exploring Educational eBooks
- 14. Embracing eBook Trends
 - Integration of Multimedia Elements
 - Interactive and Gamified eBooks

Husqvarna 266se Manual Introduction

In the digital age, access to information has become easier than ever before. The ability to download Husqvarna 266se Manual has revolutionized the way we consume written content. Whether you are a student looking for course material, an avid reader searching for your next favorite book, or a professional seeking research papers, the option to download Husqvarna 266se Manual has opened up a world of possibilities. Downloading Husqvarna 266se Manual provides numerous advantages over physical copies of books and documents. Firstly, it is incredibly convenient. Gone are the days of carrying around heavy textbooks or bulky folders filled with papers. With the click of a button, you can gain immediate access to valuable resources on any device. This convenience allows for efficient studying, researching, and reading on the go. Moreover, the cost-effective nature of downloading Husqvarna 266se Manual has democratized knowledge. Traditional books and academic journals can be expensive, making it difficult for individuals with limited financial resources to access information. By offering free PDF downloads, publishers and authors are enabling a wider audience to benefit from their work. This inclusivity promotes equal opportunities for learning and personal growth. There are numerous websites and platforms where individuals can download Husqvarna 266se Manual. These websites range from academic databases offering research papers and journals to online libraries with an expansive collection of books from various genres. Many authors and publishers also upload their work to specific websites, granting readers access to their content without any charge. These platforms not only provide access to existing literature but also serve as an excellent platform for undiscovered authors to share their work with the world. However, it is essential to be cautious while downloading Husqvarna 266se Manual. Some websites may offer pirated or illegally obtained copies of copyrighted material. Engaging in such activities not only violates copyright laws but also undermines the efforts of authors, publishers, and researchers. To ensure ethical downloading, it is advisable to utilize reputable websites that prioritize the legal distribution of content. When downloading Husqvarna 266se Manual, users should also consider the potential security risks associated with online platforms. Malicious actors may exploit vulnerabilities in unprotected websites to distribute malware or steal personal information. To protect themselves,

individuals should ensure their devices have reliable antivirus software installed and validate the legitimacy of the websites they are downloading from. In conclusion, the ability to download Husqvarna 266se Manual has transformed the way we access information. With the convenience, cost-effectiveness, and accessibility it offers, free PDF downloads have become a popular choice for students, researchers, and book lovers worldwide. However, it is crucial to engage in ethical downloading practices and prioritize personal security when utilizing online platforms. By doing so, individuals can make the most of the vast array of free PDF resources available and embark on a journey of continuous learning and intellectual growth.

FAQs About Husqvarna 266se Manual Books

How do I know which eBook platform is the best for me? Finding the best eBook platform depends on your reading preferences and device compatibility. Research different platforms, read user reviews, and explore their features before making a choice. Are free eBooks of good quality? Yes, many reputable platforms offer high-quality free eBooks, including classics and public domain works. However, make sure to verify the source to ensure the eBook credibility. Can I read eBooks without an eReader? Absolutely! Most eBook platforms offer web-based readers or mobile apps that allow you to read eBooks on your computer, tablet, or smartphone. How do I avoid digital eye strain while reading eBooks? To prevent digital eye strain, take regular breaks, adjust the font size and background color, and ensure proper lighting while reading eBooks. What the advantage of interactive eBooks? Interactive eBooks incorporate multimedia elements, quizzes, and activities, enhancing the reader engagement and providing a more immersive learning experience. Husqvarna 266se Manual is one of the best book in our library for free trial. We provide copy of Husqvarna 266se Manual in digital format, so the resources that you find are reliable. There are also many Ebooks of related with Husqvarna 266se Manual. Where to download Husqvarna 266se Manual online for free? Are you looking for Husqvarna 266se Manual PDF? This is definitely going to save you time and cash in something you should think about.

Find Husqvarna 266se Manual :

[españa cultura y civilización](#)

[essent mktg/mktg game psu pkg](#)

[essence of digital design](#)

[essays on sex equality](#)

[**essays in criticism and research.**](#)

escort carrier gambier bay

escape to live

escape to honour

ess a fun at school

escoffier le guide culinaire

essays & sketches of mark twain

espadasdagas y cuchillos

espn instructional teaching kids baseball with jerry kindall

escape from the grip

escott reid diplomat and scholar

Husqvarna 266se Manual :

baby love everything you need to know about your baby s - Oct 05 2022

web baby love book read reviews from world s largest community for readers expert advice from a registered nurse midwife on caring for baby from birth thro

baby love everything you need to know about your baby s - Aug 15 2023

web may 22 2002 baby love everything you need to know about your baby s first year barker robin on amazon com free shipping on qualifying offers baby love everything you need to know about your baby s first year

baby love everything you need to know about your new baby - Aug 03 2022

web get this from a library baby love everything you need to know about your new baby robin barker

baby love everything you need to know about your new baby - Jan 08 2023

web may 22 2002 expert advice from a registered nurse midwife on caring for baby from birth through the first year of life

baby love everything you need to know about your baby s first - Mar 10 2023

web first published in 1994 baby love has since helped millions of parents navigate life with their newborn xoum s revised and updated digital edition features up to date advice and options to

baby love australia s no 1 baby book everything you need to know - Jul 02 2022

web aug 1 2013 booktopia has baby love australia s no 1 baby book everything you need to know about your baby by robin barker buy a discounted paperback of baby love online from australia s leading online bookstore

baby love everything you need to know about your baby s - Apr 30 2022

web nov 17 2021 puzzles nov 17 2021 board of directors call for proposals closed read agatha christie books online the

nervous housewife shawn of skarrow

baby love everything you need to know about your new baby - Feb 09 2023

web buy baby love everything you need to know about your new baby by robin barker isbn 9780330355919 from amazon s book store everyday low prices and free delivery on eligible orders

baby love everything you need to know about your baby by robin b - Dec 07 2022

web find many great new used options and get the best deals for baby love everything you need to know about your baby by robin b 1405036540 at the best online prices at ebay free shipping for many products

the supremes baby love lyrics genius lyrics - Feb 26 2022

web baby love lyrics intro ooo ooh chorus baby love my baby love i need you oh how i need you baby love ooh baby love verse 1 but all you do is treat me bad break my

baby love everything you need to know about your new b - Jul 14 2023

web oct 7 1999 baby love everything you need to know about your new baby barker robin 4 09 324 ratings43 reviews expert advice from a registered nurse midwife helps new parents care for their babies from birth through the first year of life filled with wisdom humor and expert advice this comprehensive guide tells new parents exactly what they

baby love youtube - Dec 27 2021

web sep 23 2015 provided to youtube by epicbaby love mother s finestanother mother further 1977 epic records a division of sony music entertainmentreleased on 1989 06 1

baby love everything you need to know about your baby - Sep 04 2022

web baby love everything you need to know about your baby 9780330360203 books amazon ca

baby love everything you need to know about your new baby - May 12 2023

web may 22 2002 buy baby love everything you need to know about your new baby by barker robin isbn 9780871319852 from amazon s book store everyday low prices and free delivery on eligible orders

baby love everything you need to know about your baby - Jun 13 2023

web buy baby love everything you need to know about your baby by isbn 9780330360203 from amazon s book store everyday low prices and free delivery on eligible orders

[baby love everything you need to know about your baby s alibris](#) - Jun 01 2022

web buy baby love everything you need to know about your baby s first year by robin barker online at alibris we have new and used copies available in 1 editions starting at 0 99 shop now

baby love everything you need to know about your baby s - Nov 06 2022

web full of wisdom and humour this comprehensive guide tells new parents exactly what they need to know includes

essential information for the well being of both parent and child on everything

everything i know about love 22 eylül de bein series youtube - Jan 28 2022

web aşk arkadaşlık ve buluşmalar üçgeni Şu ana kadar bildiğiniz her şeyi sorgulamaya hazır mısınız everything i know about love eğlenceli bölümleriyle 22

baby love everything you need to know about your new baby - Mar 30 2022

web buy baby love everything you need to know about your new baby by robin barker online at alibris we have new and used copies available in 1 editions starting at 1 45 shop now

baby love everything you need to know about your new baby - Apr 11 2023

web jan 1 2005 baby love everything you need to know about your new baby barker robin on amazon com free shipping on qualifying offers baby love everything you need to know about your new baby

the tv scriptwriter s handbook dramatic writing f - May 31 2022

web jul 5 2023 the tv scriptwriter s handbook dramatic writing f 1 19 downloaded from uniport edu ng on july 5 2023 by guest the tv scriptwriter s handbook dramatic

the tv scriptwriter s handbook 1980 edition open library - Oct 24 2021

web the tv scriptwriter s handbook dramatic writing f and numerous ebook collections from fictions to scientific research in any way among them is this the tv scriptwriter s

the tv scriptwriter s handbook dramatic writing for television - Feb 08 2023

web amazon in buy the tv scriptwriter s handbook dramatic writing for television and film book online at best prices in india on amazon in read the tv scriptwriter s

the tv scriptwriter s handbook march 1985 edition open library - Oct 04 2022

web the tv scriptwriter s handbook dramatic writing f is available in our book collection an online access to it is set as public so you can download it instantly our books collection

tv scriptwriter s handbook dramatic writing for television and - Jun 12 2023

web this television scriptwriting course addresses the new scriptwriter on many levels from the initial impulse to enter the field through the mechanics of commercially successful

loading interface goodreads - Dec 26 2021

web the tv scriptwriter s handbook dramatic writing f is reachable in our digital library an online access to it is set as public hence you can download it instantly

the tv scriptwriter s handbook dramatic writing for television - Dec 06 2022

web books like the tv scriptwriter s handbook dramatic writing for television and film find out more recommended books with

our spot on books app the tv scriptwriter s

the tv scriptwriter s handbook dramatic writing for television - Jul 13 2023

web jul 31 1992 the tv scriptwriter s handbook dramatic writing for television and film brenner alfred on amazon com free shipping on qualifying offers the tv

the tv scriptwriter s handbook dramatic writing f claudia - Sep 03 2022

web the tv scriptwriter s handbook dramatic writing for television and film by alfred brenner

the tv scriptwriter s handbook dramatic aquaticus library - Aug 02 2022

web the tv scriptwriter s handbook dramatic writing f pdf copy black ortax org created date 9 6 2023 8 08 32 am

the tv scriptwriter s handbook dramatic writing f pdf - Apr 29 2022

web the tv scriptwriter s handbook dramatic writing f pdf unveiling the magic of words a overview of the tv scriptwriter s handbook dramatic writing f pdf in some sort of

tv scriptwriter s handbook 1992 edition open library - Mar 09 2023

web buy the tv scriptwriter s handbook dramatic writing for television and film by brenner alfred online on amazon ae at best prices fast and free shipping free returns

the tv scriptwriter s handbook dramatic writing f pdf 2023 - Mar 29 2022

web the tv scriptwriter s handbook dramatic writing for television and film by alfred brenner ma scriptwriting bath spa university unit outline fav2203 scriptwriting television

the tv scriptwriter s handbook dramatic writing f craig batty - Nov 24 2021

web the tv scriptwriter s handbook by alfred brenner 1980 writer s digest books edition in english 1st ed

the tv scriptwriter s handbook dramatic writing for television - Jan 07 2023

web find many great new used options and get the best deals for the tv scriptwriter s handbook dramatic writing for television and film by alfred brenner 1992 trade

t v scriptwriter s handbook dramatic writing for television and - Jan 27 2022

web discover and share books you love on goodreads

tv scriptwriter s handbook dramatic writing for television and film - Aug 14 2023

web tv scriptwriter s handbook dramatic writing for television and film by brenner alfred 1916

the tv scriptwriter s handbook dramatic writing for television - Feb 25 2022

web nov 17 2021 t v scriptwriter s handbook dramatic writing for television and film alfred brenner top authors search for free books by author name in this elaborate list

tv scriptwriter s handbook dramatic writing for television - Apr 10 2023

web buy tv scriptwriter s handbook dramatic writing for television and film by alfred brenner online at alibris we have new and used copies available in 1 editions starting

the tv scriptwriter s handbook dramatic writing for television - Nov 05 2022

web the tv scriptwriter s handbook by alfred brenner march 1985 f w publications edition paperback

the tv scriptwriter s handbook dramatic writing f uniport edu - Sep 22 2021

the tv scriptwriter s handbook dramatic writing f pdf copy - Jul 01 2022

web explains how to get started in television writing how television programs are written and produced the format of teleplays and the techniques of screenwriting the tv writer s

the tv scriptwriter s handbook dramatic writing f 2022 - May 11 2023

web 2 the tv scriptwriter s handbook dramatic writing f 2020 03 01 the television handbook is a critical introduction to the practice and theory of television the book

[anatomie du lapin information sur les lapins planetanimal com](#) - Jul 03 2022

web jun 1 2021 les lapins appartiennent à la famille des leporidae qu ils partagent avec les lièvres mais dont ils diffèrent à la fois par le genre et les caractéristiques taxonomiques les lapins sont regroupés en plusieurs genres mais le plus connu est oryctolagus au sein duquel on trouve le lapin commun ou également appelé lapin européen oryctolagus

[english translation of le lapin collins online dictionary](#) - Dec 08 2022

web masculine noun rabbit collins beginner s french english dictionary harpercollins publishers all rights reserved word frequency lapin lape word forms lapin lapine masculine noun feminine noun 1 animal rabbit 2 viande rabbit 3 fourrure rabbit skin rabbit poser un lapin à qn to stand sb up

lapin wikipédia - Oct 18 2023

web lapin est en fait un nom vernaculaire ambigu désignant une partie seulement des différentes espèces de mammifères classées dans la famille des léporidés une famille qui regroupe à la fois les lièvres et les lapins longtemps classés dans l ordre des rongeurs ils sont maintenant regroupés dans un ordre à part les lagomorphes

lapin domestique wikipédia - Jun 14 2023

web le lapin domestique est issu du lapin de garenne et reste donc très proche de cette espèce qui forme son ancêtre sauvage l aspect extérieur des lapins domestiques peut toutefois varier considérablement selon les races sélectionnées par les éleveurs et l animal se démarquer du lapin de garenne tant par sa taille puisqu il existe des races dites

recette de lapin aux cèpes et girolles marmiton - Aug 04 2022

web cuisson 45 min Étape 1 faire revenir les cèpes à l huile d olive aillée les retirer bien dorés puis les égoutter sur du

sopalin Étape 2 faire dorer les morceaux de lapin dans la même huile les retirer et jeter l'huile Étape 3 faire fondre le beurre dans une cocotte y ajouter les girolles faire revenir Étape 4

le lapin tout savoir sur la viande de lapin cuisine az - May 01 2022

web comme toutes les viandes blanches la viande de lapin est peu calorique 120 kcal pour 100 g et contient de nombreuses qualités nutritionnelles les personnes au régime ou ayant des problèmes de cholestérol seront enchantées de l'intégrer à leur alimentation en effet riche en protéines et riche en acides aminés le lapin permet de

lapins planetanimal com - Mar 11 2023

web les lapins néo zélandais sont l'une des races de lapins les plus grandes et les plus robustes au monde ces lapins géants sont très calmes très doux et réputés leur nature détendue et amicale ces lapins se sont répandus dans le monde entier et on en trouve dans presque tous les pays du monde

est ce que les lapines ont leur règle petitpets com - Feb 27 2022

web jul 5 2021 les lapins font partie des animaux et des animaux de compagnie qui se reproduisent le plus rapidement avec une grossesse qui ne dure que 30 jours et la capacité de concevoir 24 heures seulement après la mise bas vous devez être très prudent lorsque vous hébergez ensemble des lapins mâles et femelles non stérilisés

tout savoir sur le lapin le meilleur pour mon lapin - Jul 15 2023

web la nourriture de votre lapin les lapins sont des herbivores leur alimentation est principalement basée sur le foin c'est l'aliment le plus important de leur régime alimentaire je vous recommande de choisir le meilleur foin pour votre lapin riche en fibres avec de beaux brins

lapin singapore restaurant reviews phone number - Mar 31 2022

web location and contact 173 telok ayer street singapore 068622 singapore website email 65 9825 2816

tout savoir sur les lapins vidéo questionner le monde lumni - Jan 09 2023

web dec 12 2022 la reproduction des lapins dans la nature les lapins vivent en groupe qu'on appelle des colonies de février à août c'est la saison des amours et les lapins font beaucoup de petits une lapine peut être enceinte 6 fois par an et avoir entre 3 et 7 lapereaux à leur naissance les lapereaux sont aveugles et presque sans poils

lapin vikidia l encyclopédie des 8 13 ans - Aug 16 2023

web le lapin est un petit mammifère herbivore reconnaissable à ses longues oreilles et à sa petite queue touffue il en existe de nombreuses espèces sauvages et une espèce domestique le lapin domestique le lapin n'est pas un rongeur il appartient à l'ordre des lagomorphes sommaire 1 Étymologie 2 description 3 alimentation 4 espèces

lapins tout savoir sur les lapins les animaux les animaux - Nov 07 2022

web aug 5 2019 les lapins sont des animaux sociaux qui dépendent les uns des autres pour survivre à l'état sauvage un lapin

à lui seul doit être à tout moment à l'affût des prédateurs potentiel si les lapins sont en groupe et non pas seuls cela les aide à se sentir immensément plus en sécurité

lapins espèces alimentation santé comportement autour des - Feb 10 2023

web lapins le lapin est un petit animal très attachant et plein de tendresse domestiqué depuis le moyen Âge il peut vivre entre 6 et 13 ans et peser de 1kg à 10kg sa santé fragile nécessite de connaître les maladies les plus répandues et les précautions à mettre en oeuvre lors de son adoption à la maison

lapin caractère santé alimentation prix et entretien woopets - Sep 17 2023

web les lapins sont d adorables boules de poils ils ont un caractère doux pour la plupart qu il s agisse de la grande race de celle considérée comme moyenne de la plus petite ou des lapins nains le lapin fait partie de l ordre des lagomorphes très rarement agressif il peut surtout être peureux lors des premiers moments passés en votre compagnie

tout ce que vous voulez savoir sur le lapin guide complet - Apr 12 2023

web may 25 2023 les lapins de plus grande taille entre 2 et 6 kgs fauve de bourgogne de magnifiques rouquins papillon blanc et noirs russe ça c est bobby feu havane feu le lapin bélier anglais le lapin bélier français et enfin les géants 6 kgs et le géant des flandres coucou napoléon et le géant papillon

lapin 15 reviews photos location foodadvisor - Oct 06 2022

web lapin singapore is located at 173 telok ayer street 068622 explore 15 reviews photos location or phone 98252816 la fête french restaurants date night restaurants dinner with drinks see all food near 173 telok ayer street singapore 068622 recommended posts where to eat

international french school singapore bcd elementaire - Jun 02 2022

web résultat de la recherche 5 recherche sur le mot clé lapins affiner la recherche générer le flux rss de la recherche partager le résultat de cette recherche vingt six lapins fêtent Noël cara smith lockhart

lapin singapore facebook - May 13 2023

web lapin singapore singapore 1 119 likes 6 talking about this 965 were here celebrate communal dining

les lapins translation in english french english dictionary - Sep 05 2022

web your flowers and or vegetables are a tasty smorgasbord for rabbits j ai regardé des émissions de télé sur les lapins i ve been watching these television shows about rabbits les fleurs et les lapins décorent la maison flowers and bunnies decorate the home je supporte pas les lapins morts i just can t handle dead bunnies