

SERVICE MANUAL ENGINE SYSTEMS

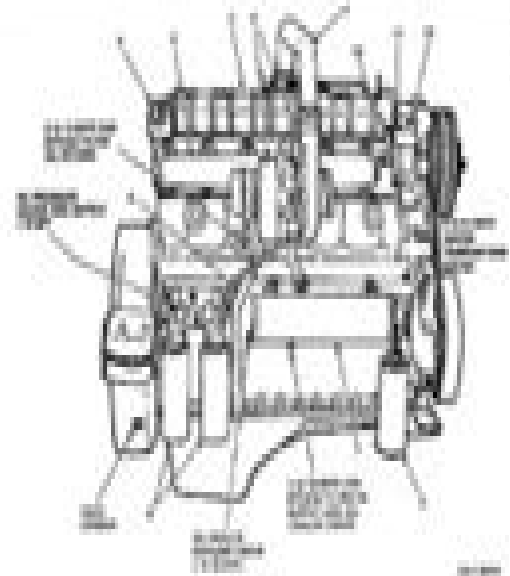


Figure 10. Main Components (Cutaway View) of the DT360 Diesel Engine

- | | |
|-----------------------------------|---|
| 1. Fuel Injection Pump | 8. Oil Pan |
| 2. Air Filter | 9. Crankshaft |
| 3. Timing Belt | 10. 1st, 2nd and 3rd Gear |
| 4. Piston and Ring | 11. 1st, 2nd and 3rd Valve |
| 5. Connecting Rod and Gudgeon Pin | 12. 1st, 2nd and 3rd Valve Timing Light |
| 6. Camshaft | |
| 7. Oil Filter Housing | |

International Dt360 Service Manual

Mike Jess



International Dt360 Service Manual:

Uncover the mysteries within its enigmatic creation, Embark on a Mystery with **International Dt360 Service Manual** . This downloadable ebook, shrouded in suspense, is available in a PDF format (PDF Size: *). Dive into a world of uncertainty and anticipation. Download now to unravel the secrets hidden within the pages.

https://staging.conocer.cide.edu/public/publication/HomePages/liberated_grandmother_how_to_be_a_successful_grandmother_while_living.pdf

Table of Contents International Dt360 Service Manual

1. Understanding the eBook International Dt360 Service Manual
 - The Rise of Digital Reading International Dt360 Service Manual
 - Advantages of eBooks Over Traditional Books
2. Identifying International Dt360 Service Manual
 - Exploring Different Genres
 - Considering Fiction vs. Non-Fiction
 - Determining Your Reading Goals
3. Choosing the Right eBook Platform
 - Popular eBook Platforms
 - Features to Look for in an International Dt360 Service Manual
 - User-Friendly Interface
4. Exploring eBook Recommendations from International Dt360 Service Manual
 - Personalized Recommendations
 - International Dt360 Service Manual User Reviews and Ratings
 - International Dt360 Service Manual and Bestseller Lists
5. Accessing International Dt360 Service Manual Free and Paid eBooks
 - International Dt360 Service Manual Public Domain eBooks
 - International Dt360 Service Manual eBook Subscription Services
 - International Dt360 Service Manual Budget-Friendly Options

6. Navigating International Dt360 Service Manual eBook Formats
 - ePub, PDF, MOBI, and More
 - International Dt360 Service Manual Compatibility with Devices
 - International Dt360 Service Manual Enhanced eBook Features
7. Enhancing Your Reading Experience
 - Adjustable Fonts and Text Sizes of International Dt360 Service Manual
 - Highlighting and Note-Taking International Dt360 Service Manual
 - Interactive Elements International Dt360 Service Manual
8. Staying Engaged with International Dt360 Service Manual
 - Joining Online Reading Communities
 - Participating in Virtual Book Clubs
 - Following Authors and Publishers International Dt360 Service Manual
9. Balancing eBooks and Physical Books International Dt360 Service Manual
 - Benefits of a Digital Library
 - Creating a Diverse Reading Collection International Dt360 Service Manual
10. Overcoming Reading Challenges
 - Dealing with Digital Eye Strain
 - Minimizing Distractions
 - Managing Screen Time
11. Cultivating a Reading Routine International Dt360 Service Manual
 - Setting Reading Goals International Dt360 Service Manual
 - Carving Out Dedicated Reading Time
12. Sourcing Reliable Information of International Dt360 Service Manual
 - Fact-Checking eBook Content of International Dt360 Service Manual
 - Distinguishing Credible Sources
13. Promoting Lifelong Learning
 - Utilizing eBooks for Skill Development
 - Exploring Educational eBooks
14. Embracing eBook Trends
 - Integration of Multimedia Elements

- Interactive and Gamified eBooks

International Dt360 Service Manual Introduction

In the digital age, access to information has become easier than ever before. The ability to download International Dt360 Service Manual has revolutionized the way we consume written content. Whether you are a student looking for course material, an avid reader searching for your next favorite book, or a professional seeking research papers, the option to download International Dt360 Service Manual has opened up a world of possibilities. Downloading International Dt360 Service Manual provides numerous advantages over physical copies of books and documents. Firstly, it is incredibly convenient. Gone are the days of carrying around heavy textbooks or bulky folders filled with papers. With the click of a button, you can gain immediate access to valuable resources on any device. This convenience allows for efficient studying, researching, and reading on the go. Moreover, the cost-effective nature of downloading International Dt360 Service Manual has democratized knowledge. Traditional books and academic journals can be expensive, making it difficult for individuals with limited financial resources to access information. By offering free PDF downloads, publishers and authors are enabling a wider audience to benefit from their work. This inclusivity promotes equal opportunities for learning and personal growth. There are numerous websites and platforms where individuals can download International Dt360 Service Manual. These websites range from academic databases offering research papers and journals to online libraries with an expansive collection of books from various genres. Many authors and publishers also upload their work to specific websites, granting readers access to their content without any charge. These platforms not only provide access to existing literature but also serve as an excellent platform for undiscovered authors to share their work with the world. However, it is essential to be cautious while downloading International Dt360 Service Manual. Some websites may offer pirated or illegally obtained copies of copyrighted material. Engaging in such activities not only violates copyright laws but also undermines the efforts of authors, publishers, and researchers. To ensure ethical downloading, it is advisable to utilize reputable websites that prioritize the legal distribution of content. When downloading International Dt360 Service Manual, users should also consider the potential security risks associated with online platforms. Malicious actors may exploit vulnerabilities in unprotected websites to distribute malware or steal personal information. To protect themselves, individuals should ensure their devices have reliable antivirus software installed and validate the legitimacy of the websites they are downloading from. In conclusion, the ability to download International Dt360 Service Manual has transformed the way we access information. With the convenience, cost-effectiveness, and accessibility it offers, free PDF downloads have become a popular choice for students, researchers, and book lovers worldwide. However, it is crucial to engage in ethical downloading practices and prioritize personal security when utilizing online platforms. By doing so, individuals can make the most of the vast array of

free PDF resources available and embark on a journey of continuous learning and intellectual growth.

FAQs About International Dt360 Service Manual Books

What is a International Dt360 Service Manual PDF? A PDF (Portable Document Format) is a file format developed by Adobe that preserves the layout and formatting of a document, regardless of the software, hardware, or operating system used to view or print it. **How do I create a International Dt360 Service Manual PDF?** There are several ways to create a PDF: Use software like Adobe Acrobat, Microsoft Word, or Google Docs, which often have built-in PDF creation tools. Print to PDF: Many applications and operating systems have a "Print to PDF" option that allows you to save a document as a PDF file instead of printing it on paper. Online converters: There are various online tools that can convert different file types to PDF. **How do I edit a International Dt360 Service Manual PDF?** Editing a PDF can be done with software like Adobe Acrobat, which allows direct editing of text, images, and other elements within the PDF. Some free tools, like PDFescape or Smallpdf, also offer basic editing capabilities. **How do I convert a International Dt360 Service Manual PDF to another file format?** There are multiple ways to convert a PDF to another format: Use online converters like Smallpdf, Zamzar, or Adobe Acrobats export feature to convert PDFs to formats like Word, Excel, JPEG, etc. Software like Adobe Acrobat, Microsoft Word, or other PDF editors may have options to export or save PDFs in different formats. **How do I password-protect a International Dt360 Service Manual PDF?** Most PDF editing software allows you to add password protection. In Adobe Acrobat, for instance, you can go to "File" -> "Properties" -> "Security" to set a password to restrict access or editing capabilities. Are there any free alternatives to Adobe Acrobat for working with PDFs? Yes, there are many free alternatives for working with PDFs, such as: LibreOffice: Offers PDF editing features. PDFsam: Allows splitting, merging, and editing PDFs. Foxit Reader: Provides basic PDF viewing and editing capabilities. How do I compress a PDF file? You can use online tools like Smallpdf, ILovePDF, or desktop software like Adobe Acrobat to compress PDF files without significant quality loss. Compression reduces the file size, making it easier to share and download. Can I fill out forms in a PDF file? Yes, most PDF viewers/editors like Adobe Acrobat, Preview (on Mac), or various online tools allow you to fill out forms in PDF files by selecting text fields and entering information. Are there any restrictions when working with PDFs? Some PDFs might have restrictions set by their creator, such as password protection, editing restrictions, or print restrictions. Breaking these restrictions might require specific software or tools, which may or may not be legal depending on the circumstances and local laws.

Find International Dt360 Service Manual :

liberated grandmother how to be a successful grandmother while living

letters on yoga volii

lhomme de saintpaa tersbourg

letters to kathleen the doctor who fought tb

liberal arts and sciences test last

lewis and clark in the three rivers valleys

level 102 structure and speaking

lettering calligraphy

letters from henry miller to hoki tokuda miller

lewis hine

levora signed

li avalanches - pk of 6

letters to tsvi

~~leyes y codigos de mexico codigo de procedimientos penales para el distrito federal~~

~~letters from the east 1st edition 2vol~~

International Dt360 Service Manual :

bluetooth touch adapter vw manual - Jun 04 2022

web manuals for tape recorders reel to reel machines and other related audio equipment bluetooth touch adapter vw manual

yamaha b 6 service manual makino s56 manual haynes manual 2000 pontiac montana free ford 4500 manual hp procure

switch 2124 manual buku manual motor honda revo

ativ one 5 all in one pc dp500a2d support manual samsung - Jan 31 2022

web check out our support resources for your ativ one 5 all in one pc dp500a2d to find manuals specs features and faqs you

can also register your product to gain access to samsung s world class customer support

vw bluetooth touch adapter user manual 2022 - Dec 10 2022

web vw radio cd players rcd volkswagen uk vw bluetooth touch adapter user manual downloaded from gsevocab pearsonelt

com by guest paul cook vw bluetooth touch adapter user bluetooth touch adapter volkswagen vw golf 5 golfv bury english

sub vw bluetooth touch adapter how to pair your mobile to the bluetooth

bedienungsanleitung touch adapter 3c0 051 435 ta tx board - May 15 2023

web apr 23 2016 hallo boarder hier mal die bedienungsanleitung von dem touchadapter von vw teilenummer 3c0 051 435 ta gruß heiko

bluetooth touch adapter manualzz - Nov 09 2022

web bluetooth touch adapter email protected email protected related manuals bury compatibility list generator volkswagen 2k5 061 161 powertraveller solargorilla power bank data sheet nokia mail for exchange mit nokia e50 e60 e61 e90

volkswagen owners manuals official vw digital resources - Apr 14 2023

web we ve made it easy to access your owner s and radio navigation manuals online for model year 2012 and newer volkswagen vehicles you can view your manuals by entering the 17 digit vehicle identification number vin in

vw bluetooth touch adapter user manual pdf - Aug 06 2022

web vw bluetooth touch adapter user vw bluetooth touch adapter user manual downloaded from eualert bananacoding com by guest yosef richard destroy your volkswagen touch adapter for bluetooth s sake vw bluetooth touch adapter user mansour s volkswagen polo has a touch screen right well the touch

vw bluetooth touch adapter user manual nginx designshack - Apr 02 2022

web 2 vw bluetooth touch adapter user manual 2021 06 04 top spec style also features keyless entry push button start steering wheel mounted paddle shifters led interior ambient

volkswagen 3c0 051 435 ta operating instructions manual - Sep 19 2023

web view and download volkswagen 3c0 051 435 ta operating instructions manual online original touch adapter 3c0 051 435 ta adapter pdf manual download

bedienungsanleitung touch adapter auto zubehör handbücher - Jan 11 2023

web personalisierung von werbung wiedererkennung und personalisierte bewerbung von websitebesuchern messung des werbeerfolgs bedienungsanleitungen für touch adapter auto zubehör kostenlos herunterladen das portal für alle bedienungsanleitungen und gebrauchsanweisungen von a bis z alle bedienungsanleitungen de

vw bluetooth touch adapter user manual issuu - Jul 17 2023

web sep 9 2017 get vw bluetooth touch adapter user manual pdf file for free from our online library vw bluetooth touch adapter user manual the following vw bluetooth touch adapter user manual e book start

vw bluetooth touch adapter manual japanalert bananacoding - Mar 01 2022

web vw bluetooth touch adapter manual gleaming glass 842 manual pairing touch adapter vw orrisrestaurant com vw bluetooth touch adapter manual snowsea herokuapp com

vw bluetooth touch adapter user manual pdf blueskywildlife - Jul 05 2022

web sep 5 2023 you could purchase lead vw bluetooth touch adapter user manual pdf or acquire it as soon as feasible you could speedily download this vw bluetooth touch adapter user manual pdf after getting deal so in the same way as you require the books swiftly you can straight get it its consequently entirely easy and appropriately fats isnt it

vw bluetooth touch adapter startseite forum aut - Oct 08 2022

web apr 11 2011 zitat von volkswagen de zitat hinweis bei fahrzeugen ab kw 22 2008 passat cc ab kw 09 2008 wird aufgrund einer Änderung der fahrzeugelektronik der touch adapter voice beim ausschalten der

volkswagen touch phone kit operating instructions manualzz - Jun 16 2023

web view online 80 pages or download pdf 1 mb volkswagen touch phone kit operating instructions touch phone kit smartphones pdf manual download and more volkswagen online manuals

get free volkswagen bluetooth touch adapter manual read pdf - Mar 13 2023

web bookmark file vw bluetooth touch adapter user manual free online library volkswagen bluetooth touch adapter manual pdf web this touch monitor incorporates a 24 bit color active matrix thin film transistor lcd panel to

volkswagen 3c0 051 435 ta manuals manualslib - Aug 18 2023

web volkswagen 3c0 051 435 ta operating instructions manual 100 pages original touch adapter brand volkswagen category adapter size 4 05 mb table of contents

vw bluetooth touch adapter user manual whm ablogtowatch - Sep 07 2022

web 2 vw bluetooth touch adapter user manual 2019 09 06 vw bluetooth touch adapter user manual downloaded from whm ablogtowatch com by guest rhys nixon how to use your new computer no starch press the 1950s was a golden era for detroit reflecting the endless optimism and futuristic view in america following world war ii car designers

vw bluetooth touch adapter manual - May 03 2022

web upon registering an order a link to the requested manuals and or user guides will be sent via email to the email address associated with your order once an email has been received you will be able to download your manual vw bluetooth touch adapter manual digitech studio quad manual espa ol dsr 207 manual stec 30 instruction manual

vw freisprecheinrichtung bluetooth touch adapter auto motor at - Feb 12 2023

web der neue bluetooth touch adapter von volkswagen zubehör bietet hierzu die komfortabelste und sicherste möglichkeit er verbindet das handy via bluetooth kabellos mit der vw freisprecheinrichtung ermöglicht dank des großen touchscreen displays bequeme bedienung und fügt sich mit seinem stilvollen design harmonisch ins fahrzeug

destroy the patriarchy not the planet funny femin - Jul 13 2023

web michael jacobs composition notebook independently published a bold and uncompromising feminist manifesto that

shows women and girls how to defy disrupt and

destroythepatriarch ynottheplanetfunny femin - Mar 09 2023

web and patriarchy to violence and peace building the culture of peace initiatives in this book show how violence is ineffective and the book contests the views in the socialisation of

destroy the patriarchy not the planet feminist quotes patriarchy - Feb 25 2022

web jul 15 2023 model aimee wilson looks cute as heck in her white unisex medium destroy the patriarchy not the planet tee check out aimee s instagram here

destroy the patriarchy not the planet funny femin pdf - Aug 02 2022

web mar 19 2023 destroy the patriarchy not the planet funny femin recognizing the pretension ways to acquire this book destroy the patriarchy not the planet funny

destroy the patriarchy not the planet funny femin kristen j - May 11 2023

web patriarchy in revolutionary society socialist feminism in the united states the underlying thrust of the book is toward integrating the central ideas of radical feminist thought with

feminist shirt destroy the patriarchy not the planet custom - Jan 27 2022

web jul 17 2023 destroy the patriarchy not the planet feminist eco cotton shopping tote bag go to cart dont listen to boris johnson anti tory billy connolly quote t shirt

destroy the patriarchy not the planet funny femin pdf - Dec 06 2022

web patriarchy in revolutionary society socialist feminism in the united states the underlying thrust of the book is toward integrating the central ideas of radical feminist thought with

destroy the patriarchy not the planet funny feminist notebook - Jan 07 2023

web jun 26 2023 feminist cheap destroy the patriarchy not the planet t 1008 best destroy the patriarchy not the planet images in kirby star allies but some funny stuff happens

destroy the patriarchy not the planet funny femin pdf - Nov 05 2022

web pages of destroy the patriarchy not the planet funny femin a mesmerizing literary creation penned by a celebrated wordsmith readers attempt an enlightening odyssey

destroy the patriarchy not the planet funny femin ftp popcake - Mar 29 2022

web feb 5 2020 destroy the patriarchy not the planet available on men s t shirt

destroy the patriarchy not the planet funny femin full pdf - Sep 03 2022

web download and install destroy the patriarchy not the planet funny femin hence simple destroy definition meaning synonyms vocabulary com webto destroy is the

destroy the patriarchy educational feminism - Nov 24 2021

web feb 5 2020 *destroy the patriarchy not the planet* available on men s t shirt feb 5 2020 *destroy the patriarchy not the planet* available on men s t shirt pinterest

destroy the patriarchy not the planet funny feminist - Aug 14 2023

web nov 1 2019 history criticism out of print limited availability select delivery location have one to sell sell on amazon see clubs not in a club learn more see all 2

destroy the patriarchy not the planet funny femin pdf book - May 31 2022

web dec 19 2022 *destroy the patriarchy not the planet funny femin* when somebody should go to the books stores search launch by shop shelf by shelf it is in point of fact

destroy the patriarchy not the planet funny femin pdf - Apr 29 2022

web *destroy the patriarchy not the planet funny femin* *destroy the patriarchy not the planet college ruled line paper blank journal to 4* *destroy the patriarchy not*

destroy the patriarchy not the planet funny femin pdf pdf - Jun 12 2023

web webmichael jacobs composition notebook independently published a bold and uncompromising feminist manifesto that shows women and girls how to defy disrupt and

destroy the patriarchy not the planet talk bozar - Oct 04 2022

web *destroy the patriarchy not the planet lined notebook journal 120 pages daily planner diary size 6 x 9 inches perfect gift for powerful girls black cover*

destroy the patriarchy not the planet funny femin rosemarie - Sep 22 2021

destroy the patriarchy not the planet funny femin - Jul 01 2022

web jul 4 2023 we offer under as well as review *destroy the patriarchy not the planet funny femin pdf* what you like to read *destroy the patriarchy not the planet funny*

destroy the patriarchy not the planet feminist quotes patriarchy - Oct 24 2021

web apr 20 2023 merely said the *destroy the patriarchy not the planet funny femin* is universally compatible with any devices to read the vagina bible dr jen gunter 2019

destroy the patriarchy not the planet feminist eco cotton etsy - Dec 26 2021

web may 8 2017 definition of patriarchy 1 social organization marked by the supremacy of the father in the clan or family the legal dependence of wives and children and the

destroy the patriarchy not the planet funny femin pdf - Apr 10 2023

web may 26 2023 destroy the patriarchy not the planet funny femin 2 10 downloaded from uniport edu ng on may 26 2023 by guest herland illustrated charlotte perkins gilman

destroy the patriarchy not the planet funny femin rosemarie - Feb 08 2023

web merely said the destroy the patriarchy not the planet funny femin is universally compatible with any devices to read where do books come from 2021 dear

a level business studies mark scheme unit 01 revision world - Oct 07 2022

web enjoy now is buss1 june 13 answers below this is likewise one of the factors by obtaining the soft documents of this

buss1 june 13 answers by online you might not require

buss1 planning and financing a business mark scheme - Jun 15 2023

web business studies buss1 planning and financing a business mark scheme 2130 june 2014 version 1 0 final mark schemes are prepared by the lead assessment writer and

buss1 june 13 answers pdf pdf gestudy byu edu - Nov 08 2022

web mark scheme as business studies buss1 june 2016 4 of 16 additional guidance for marking scheme this marking scheme requires decisions to be

buss1000 s1 2023 consulting report task 1 studocu - Feb 28 2022

web aug 17 2023 answers along with amendment based questions cs executive june dec 2023 exams mathematics extension 1 from ancient to modern hkdse

mark scheme general c yumpu - Aug 17 2023

web aqa buss1 w ms jun13 en english deutsch français español português italiano român nederlands latina dansk svenska norsk magyar bahasa indonesia türkçe

buss1 june 13 answers help environment harvard edu - Jan 10 2023

web buss1 june 13 answers pdf thank you very much for downloading buss1 june 13 answers pdf maybe you have knowledge that people have look numerous times for

transitlink eguide bus service information - Nov 27 2021

e book buss1 june 13 answers read free - Aug 05 2022

web sep 7 2023 bus service 991 is a trunk service plying between bukit batok and choa chu kang connecting many residential estates around bukit batok bukit gombak choa chu

buss1 lessons from june 2013 business tutor2u - Feb 11 2023

web buss1 june 13 answers getting the books buss1 june 13 answers now is not type of challenging means you could not

lonely going like book gathering or library or borrowing

downloadable free pdfs buss1 june 13 answers pdf - Dec 09 2022

web jun 10 2023 this buss1 june 13 answers pdf but end up in harmful downloads rather than reading a good book with a cup of tea in the afternoon instead they juggled with

general certificate of education a level june 2013 expert tuition - Oct 19 2023

web mark scheme general certificate of education a level business studies buss1 june 2013 6 answer 101 538 units or 101 539 units 5 marks if wrong units used

online library buss1 june 13 answers free download pdf - Sep 06 2022

web aug 22 2023 e book buss1 june 13 answers read free yeah reviewing a books buss1 june 13 answers could build up your near contacts listings this is just one of

e book buss1 jan 13 past paper free reading fullpersonalcare - Jan 30 2022

web s1 faq what time does the s1 bus start operating services on the s1 bus start at 12 00 am on sunday monday tuesday wednesday thursday friday saturday

github - Sep 18 2023

web payload allshortcutsenabled false filetype items name 1 png path 1 png contenttype file name business information solutions

buss1 june 13 answers uniport edu ng - Apr 01 2022

web buss1000 assignment 1 future of business s1 2023 consulting report for client qantas group due week sunday 11 59pm on canvas the australian aviation industry

s1 route schedules stops maps  *moovit* - Dec 29 2021

web after 2400 hours buses leaving choa chu kang int will operate as 991b service 991c operates from choa chu kang ave 3 opp blk 464 to bt batok west ave 5 bt gombak

smrt bus service 991 land transport guru - Jul 04 2022

web buss1 june 13 answers pdf eventually you will unconditionally discover a new experience and carrying out by spending more cash yet when realize you allow that you require to

read free buss1 june 13 answers read pdf free ftadoc rsp - Jul 16 2023

web we find the money for buss1 june 13 answers and numerous ebook collections from fictions to scientific research in any way in the midst of them is this buss1 june 13

buss1 june 13 answers pdf icapro - Jun 03 2022

web the enigmatic realm of buss1 june 13 answers unleashing the language is inner magic in a fast paced digital era where

connections and knowledge intertwine the enigmatic

bus201 practice questions 2023 bus201 contract and - Mar 12 2023

web sep 18 2013 the buss1 examiners report for the june 2013 sitting makes interesting reading along with some excellent advice on how students can maximise their chances

buss1 june 13 answers ceu social - May 02 2022

web jul 3 2023 buss1 june 13 answers 1 7 downloaded from uniport edu ng on july 3 2023 by guest buss1 june 13 answers this is likewise one of the factors by obtaining the

aq a buss1 wre jun13 yumpu - May 14 2023

web aq a buss1 wre jun13 en english deutsch français español portuguê s italiano român nederlands latina dansk svenska norsk magyar bahasa indonesia türkçe suomi

buss 1 june 2012 a grade answer slideshare - Apr 13 2023

web contract and agency law96 23 e learning statistics f a q 2023 studeersnel b v keizersgracht 424 1016 gc amsterdam kvk 56829787 btw nl852321363b01