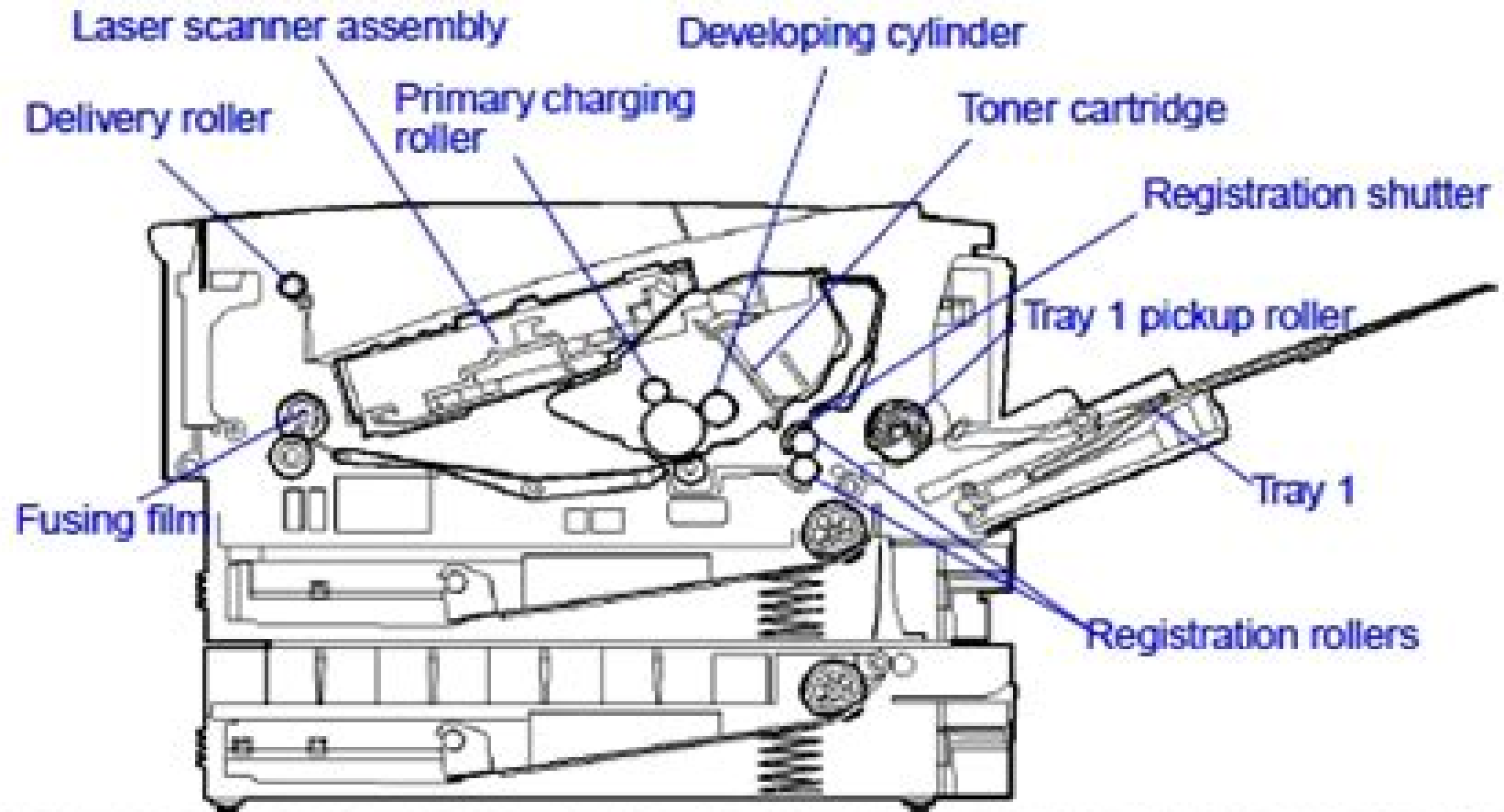


Internal Assembly Locations

Figure 1-6 Internal Assembly Locations (1 of 2)



Preview: HP LaserJet 2100 service manual

[Download Now!](#)

Hp Laserjet 2100 Manual

CL Gary



Hp Laserjet 2100 Manual:

Thank you for reading **Hp Laserjet 2100 Manual**. Maybe you have knowledge that, people have search hundreds times for their favorite novels like this Hp Laserjet 2100 Manual, but end up in malicious downloads. Rather than reading a good book with a cup of tea in the afternoon, instead they are facing with some malicious virus inside their laptop.

Hp Laserjet 2100 Manual is available in our book collection an online access to it is set as public so you can download it instantly.

Our books collection saves in multiple countries, allowing you to get the most less latency time to download any of our books like this one.

Kindly say, the Hp Laserjet 2100 Manual is universally compatible with any devices to read

https://staging.conocer.cide.edu/results/detail/HomePages/g_646_sci_plus_wh_service_manual.pdf

Table of Contents Hp Laserjet 2100 Manual

1. Understanding the eBook Hp Laserjet 2100 Manual
 - The Rise of Digital Reading Hp Laserjet 2100 Manual
 - Advantages of eBooks Over Traditional Books
2. Identifying Hp Laserjet 2100 Manual
 - Exploring Different Genres
 - Considering Fiction vs. Non-Fiction
 - Determining Your Reading Goals
3. Choosing the Right eBook Platform
 - Popular eBook Platforms
 - Features to Look for in an Hp Laserjet 2100 Manual
 - User-Friendly Interface
4. Exploring eBook Recommendations from Hp Laserjet 2100 Manual
 - Personalized Recommendations

- Hp Laserjet 2100 Manual User Reviews and Ratings
- Hp Laserjet 2100 Manual and Bestseller Lists
- 5. Accessing Hp Laserjet 2100 Manual Free and Paid eBooks
 - Hp Laserjet 2100 Manual Public Domain eBooks
 - Hp Laserjet 2100 Manual eBook Subscription Services
 - Hp Laserjet 2100 Manual Budget-Friendly Options
- 6. Navigating Hp Laserjet 2100 Manual eBook Formats
 - ePub, PDF, MOBI, and More
 - Hp Laserjet 2100 Manual Compatibility with Devices
 - Hp Laserjet 2100 Manual Enhanced eBook Features
- 7. Enhancing Your Reading Experience
 - Adjustable Fonts and Text Sizes of Hp Laserjet 2100 Manual
 - Highlighting and Note-Taking Hp Laserjet 2100 Manual
 - Interactive Elements Hp Laserjet 2100 Manual
- 8. Staying Engaged with Hp Laserjet 2100 Manual
 - Joining Online Reading Communities
 - Participating in Virtual Book Clubs
 - Following Authors and Publishers Hp Laserjet 2100 Manual
- 9. Balancing eBooks and Physical Books Hp Laserjet 2100 Manual
 - Benefits of a Digital Library
 - Creating a Diverse Reading Collection Hp Laserjet 2100 Manual
- 10. Overcoming Reading Challenges
 - Dealing with Digital Eye Strain
 - Minimizing Distractions
 - Managing Screen Time
- 11. Cultivating a Reading Routine Hp Laserjet 2100 Manual
 - Setting Reading Goals Hp Laserjet 2100 Manual
 - Carving Out Dedicated Reading Time
- 12. Sourcing Reliable Information of Hp Laserjet 2100 Manual
 - Fact-Checking eBook Content of Hp Laserjet 2100 Manual

- Distinguishing Credible Sources
13. Promoting Lifelong Learning
 - Utilizing eBooks for Skill Development
 - Exploring Educational eBooks
 14. Embracing eBook Trends
 - Integration of Multimedia Elements
 - Interactive and Gamified eBooks

Hp Laserjet 2100 Manual Introduction

In the digital age, access to information has become easier than ever before. The ability to download Hp Laserjet 2100 Manual has revolutionized the way we consume written content. Whether you are a student looking for course material, an avid reader searching for your next favorite book, or a professional seeking research papers, the option to download Hp Laserjet 2100 Manual has opened up a world of possibilities. Downloading Hp Laserjet 2100 Manual provides numerous advantages over physical copies of books and documents. Firstly, it is incredibly convenient. Gone are the days of carrying around heavy textbooks or bulky folders filled with papers. With the click of a button, you can gain immediate access to valuable resources on any device. This convenience allows for efficient studying, researching, and reading on the go. Moreover, the cost-effective nature of downloading Hp Laserjet 2100 Manual has democratized knowledge. Traditional books and academic journals can be expensive, making it difficult for individuals with limited financial resources to access information. By offering free PDF downloads, publishers and authors are enabling a wider audience to benefit from their work. This inclusivity promotes equal opportunities for learning and personal growth. There are numerous websites and platforms where individuals can download Hp Laserjet 2100 Manual. These websites range from academic databases offering research papers and journals to online libraries with an expansive collection of books from various genres. Many authors and publishers also upload their work to specific websites, granting readers access to their content without any charge. These platforms not only provide access to existing literature but also serve as an excellent platform for undiscovered authors to share their work with the world. However, it is essential to be cautious while downloading Hp Laserjet 2100 Manual. Some websites may offer pirated or illegally obtained copies of copyrighted material. Engaging in such activities not only violates copyright laws but also undermines the efforts of authors, publishers, and researchers. To ensure ethical downloading, it is advisable to utilize reputable websites that prioritize the legal distribution of content. When downloading Hp Laserjet 2100 Manual, users should also consider the potential security risks associated with online platforms. Malicious actors may exploit vulnerabilities in unprotected websites to distribute malware or steal personal information. To protect themselves,

individuals should ensure their devices have reliable antivirus software installed and validate the legitimacy of the websites they are downloading from. In conclusion, the ability to download Hp Laserjet 2100 Manual has transformed the way we access information. With the convenience, cost-effectiveness, and accessibility it offers, free PDF downloads have become a popular choice for students, researchers, and book lovers worldwide. However, it is crucial to engage in ethical downloading practices and prioritize personal security when utilizing online platforms. By doing so, individuals can make the most of the vast array of free PDF resources available and embark on a journey of continuous learning and intellectual growth.

FAQs About Hp Laserjet 2100 Manual Books

How do I know which eBook platform is the best for me? Finding the best eBook platform depends on your reading preferences and device compatibility. Research different platforms, read user reviews, and explore their features before making a choice. Are free eBooks of good quality? Yes, many reputable platforms offer high-quality free eBooks, including classics and public domain works. However, make sure to verify the source to ensure the eBook credibility. Can I read eBooks without an eReader? Absolutely! Most eBook platforms offer web-based readers or mobile apps that allow you to read eBooks on your computer, tablet, or smartphone. How do I avoid digital eye strain while reading eBooks? To prevent digital eye strain, take regular breaks, adjust the font size and background color, and ensure proper lighting while reading eBooks. What the advantage of interactive eBooks? Interactive eBooks incorporate multimedia elements, quizzes, and activities, enhancing the reader engagement and providing a more immersive learning experience. Hp Laserjet 2100 Manual is one of the best book in our library for free trial. We provide copy of Hp Laserjet 2100 Manual in digital format, so the resources that you find are reliable. There are also many Ebooks of related with Hp Laserjet 2100 Manual. Where to download Hp Laserjet 2100 Manual online for free? Are you looking for Hp Laserjet 2100 Manual PDF? This is definitely going to save you time and cash in something you should think about.

Find Hp Laserjet 2100 Manual :

[g 646 sci plus wh service manual](#)
[gabriels guide to apartment hunting](#)
[fuso canter 4x4](#)
[fuse for rear window envoy](#)
[gaddi baithak travel guide](#)

galant fortis car manual in english*gail mitchell hoyt book***fuse diagram for 1997 honda civic**~~fuso 4p10 owners manual~~fuse diagram for a 98 thomas built bus**fuse box diagram for a 2004 gmc sierra****fx nytro service service manual***g37 coupe awd manual**g8gt performance parts user manual***galinha aranha portuguese edition****Hp Laserjet 2100 Manual :**

Simply Retro with Camille Roskelley: Fresh Quilts ... The eleven quilts in "Simply Retro" reflect a clean, fresh style that is both modern and classic, making the book appealing to quilters of every experience ... Simply Retro with Camille Roskelley - Quilting A fresh interpretation on block designs—think big, bold and modern! Camille Roskelley, best-selling author of Simplify with Camille Roskelley, ... Simply Retro- Fresh Quilts from Classic Blocks Simply Retro- Fresh Quilts from Classic Blocks. Regular price \$19.95 Sale. Default ... Bonnie & Camille fabric · PDF Questions and Shipping Info · Wholesale info ... Simply Retro with Camille Roskelley Quilt Book Simply Retro with Camille Roskelley Quilt Book brings you fresh quilts from classic blocks. By exploring modern print combinations and employing innovative ... Simply Retro with Camille Roskelley - Softcover ... Camille Roskelley, puts a brand new spin on traditional-block quilting ... Roskelley offers a fresh interpretation of classic blocks in 12 achievable projects. Simply Retro with Camille Roskelley: Fresh Quilts from ... Classic block quilting takes on a new look with jumbo sizes, fresh prints and colors and secondary patterns created by color placement. Camille uses Precut ... Simply Retro with Camille Roskelley QBPN Patterns By exploring modern print combinations and employing innovative techniques like supersizing blocks, Roskelley offers a fresh interpretation of classic ... Simply Retro with Camille Roskelley: Fresh Quilts from ... Craft a modern take on classic-block quilt designs with these 12 fun and easy quilting projects. Camille Roskelley, best-selling author of Simplify with ... Simply Retro with Camille Roskelley Simply Retro with Camille Roskelley. Fresh Quilts from Classic Blocks. Camille Roskelley. \$11.99. \$11.99. Publisher Description. Craft a modern take on classic ... Simply Retro with Camille Roskelley: Fresh Quilts from ... Simple enough for beginners, all of the projects are easy to piece using precuts, yardage, and scrap fabrics. And, as always, Roskelley's fail-proof ... Prayers That Rout Demons and Break Curses ... Prayers series, Prayers That Rout Demons and Prayers That Break Curses. This is a

powerful, handy reference tool that enables the reader to access Scripture ... John Eckhardt / Prayers That Rout Demons & Break ... Prayers That Rout Demons combines powerful prayers with decrees taken from Scripture to help you overcome demonic influence and opposition ... Prayers that Rout Demons & Break Curses: John Eckhardt Prayers that Rout Demons & Break Curses · John Eckhardt · 4.8 out of 5 stars 171. Hardcover. \$155.19\$155.19. Prayers That Rout Demons by John Eckhardt I break every curse (Balaam) hired against my life in the name of Jesus. ... I break all curses of death spoken by people in authority in my nation over my nation ... Prayers That Rout Demons and Break Curses This book addresses curses and demonic forces that try to control lives. Through pointed prayers it teaches how to come against the devil and his group. This ... Prayers that Rout Demons & Break Curses - John Eckhardt Prayers that Rout Demons & Break Curses ... This bonded leather compendium combines the two best-selling books by John Eckhardt in the Spiritual Prayers series, ... Prayers That Rout Demons and Break Curses - Charisma Shop ... Prayers series, Prayers That Rout Demons and Prayers That Break Curses. This is a powerful, handy reference tool that enables you to access Scripture-based ... Prayers That Rout Demons & Break Curses, 2 Volumes in 1 Prayers That Rout Demons & Break Curses, 2 Volumes in 1 ... This leather-bound volume combines the two best-selling books by John Eckhardt in the Spiritual ... Prayers That Rout Demons & Break Curses Prayers That Rout Demons & Break Curses ... \$19.99 Contact store for availability! ... This bonded leather compendium combines the two best-selling books by John ... Prayers That Rout Demons & Break Curses - By John ... Prayers That Rout Demons & Break Curses - by John Eckhardt (Hardcover) ; Estimated ship dimensions · 0.9 inches length x 5.3 inches width x 7.1 inches height. End of Course US History Vocabulary Flashcards Study with Quizlet and memorize flashcards containing terms like free enterprise system, interstate commerce act, laisses-faire and more. End Of Course Us History Vocabulary Answer Key vocabulary, this complete course presents Latin grammar. Page 5. End Of Course Us History Vocabulary Answer Key end-of-course-us-history-vocabulary-answer-key. End of course us history vocabulary Flashcards Study with Quizlet and memorize flashcards containing terms like Industrialization, Free interprise system, Interstate commerce act and more. David Ortiz - EOC-US-History-Vocabulary-Review 1 .docx View David Ortiz - EOC-US-History-Vocabulary-Review (1).docx from HISTORY MISC at River Road H S. End of Course US History Vocabulary _ Name Industrialization_ End of course us history vocabulary all answers 100 Access over 20 million homework & study documents · End of course us history vocabulary all answers 100 · Ongoing Conversations. EOC-US-History-Vocabulary-Review 8 .docx - End of ... View EOC-US-History-Vocabulary-Review (8).docx from HISTORY MISC at South Texas Academy For Medical Professions. End of Course US History Vocabulary ... STAAR U.S. History Vocabulary.com's STAAR U.S. History lists cover many of the essential terms and concepts that you'll be expected to know on test day. Notes End of Course US History Vocabulary Study guides, Class notes & Summaries · End of Course US History Vocabulary ALL ANSWERS 100% CORRECT SPRING FALL 2023/24 EDITION GUARANTEED GRADE A+ · And that's ... End Of Course Us History Vocabulary Imperialism Aug 22, 2023 — In a world defined by information and

interconnectivity, the enchanting power of words has acquired unparalleled significance.