

Contents

- 10 – Technical data
 - 1 Technical data
 - 1.1 Engine overview
 - 1.2 Engine data
- 11 – Removing and installing engine
 - 1 Removing and installing engine
- 12 – Crankshaft group
 - 1 Demounting and assembling crank
 - 2 Removing and installing cooling fan
 - 3 Crankshaft
 - 4 Pistons and conrods
- 13 – Cylinder head, valve gear
 - 1 Cylinder head
 - 2 Valve gear
- 17 – Lubrication
 - 1 Engine oil
 - 2 Parts of lubrication system
 - 3 Oil filter bracket, oil pressure, oil
- 19 – Cooling
 - 1 Parts of cooling system
- 20 – Fuel supply system
 - 1 Safety precautions when working
 - 2 Rules for cleanliness
 - 3 Fuel tank, vehicles with front wheel
 - 4 Fuel tank, vehicles with four wheels
 - 5 Repairing fuel supply system
- 21 – Turbocharging/supercharging
- 23 – Airflow preparation - injection
 - 1 Diesel direct injection system
 - 2 Engine control unit
- 24 – Exhaust system
 - 1 Exhaust system
 - 2 Exhaust gas recirculation system
- 25 – Glow plug system
 - 1 Checking glow plug system

10 – Removing and installing engine

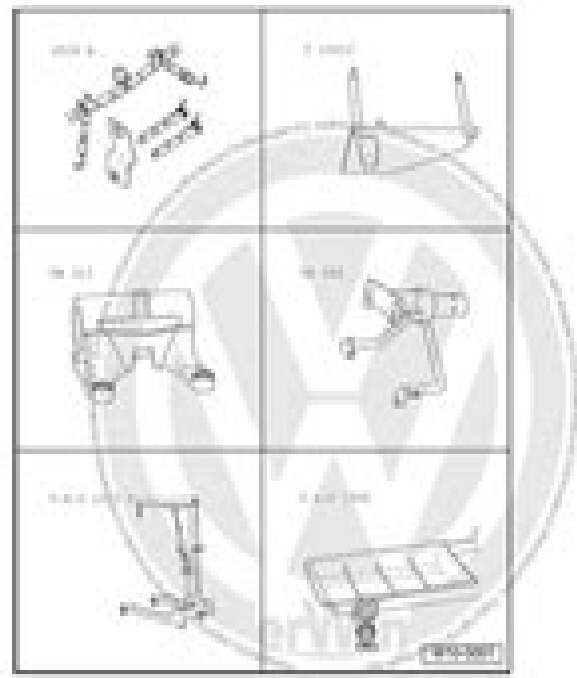
1 Removing and installing engine

- Removing engine [→ page 7](#)
- Securing engine to assembly stand [→ page 7](#)
- Notes on installing [→ page 7](#)
- Assembly drawings [→ page 10](#)

1.1 Removing engine

Special tools and workshop equipment required

- Lifting tackle (20t A)
- Engine hoister (7 1001)
- Support clamp (VW 914)
- Engine and gearbox support (VW 944)
- Workshop crane (V.A.G. 1500 A)
- Dig. Ho. (V.A.G. 1500)



Golf Plus Service Manual

H Kauffman



Golf Plus Service Manual:

Delve into the emotional tapestry woven by Emotional Journey with in Dive into the Emotion of **Golf Plus Service Manual** . This ebook, available for download in a PDF format (Download in PDF: *), is more than just words on a page; it's a journey of connection and profound emotion. Immerse yourself in narratives that tug at your heartstrings. Download now to experience the pulse of each page and let your emotions run wild.

https://staging.conocer.cide.edu/files/browse/Download_PDFS/houghton%20mifflin%20english%20level%204%20teachers%20edition.pdf

Table of Contents Golf Plus Service Manual

1. Understanding the eBook Golf Plus Service Manual
 - The Rise of Digital Reading Golf Plus Service Manual
 - Advantages of eBooks Over Traditional Books
2. Identifying Golf Plus Service Manual
 - Exploring Different Genres
 - Considering Fiction vs. Non-Fiction
 - Determining Your Reading Goals
3. Choosing the Right eBook Platform
 - Popular eBook Platforms
 - Features to Look for in an Golf Plus Service Manual
 - User-Friendly Interface
4. Exploring eBook Recommendations from Golf Plus Service Manual
 - Personalized Recommendations
 - Golf Plus Service Manual User Reviews and Ratings
 - Golf Plus Service Manual and Bestseller Lists
5. Accessing Golf Plus Service Manual Free and Paid eBooks
 - Golf Plus Service Manual Public Domain eBooks
 - Golf Plus Service Manual eBook Subscription Services

- Golf Plus Service Manual Budget-Friendly Options
- 6. Navigating Golf Plus Service Manual eBook Formats
 - ePub, PDF, MOBI, and More
 - Golf Plus Service Manual Compatibility with Devices
 - Golf Plus Service Manual Enhanced eBook Features
- 7. Enhancing Your Reading Experience
 - Adjustable Fonts and Text Sizes of Golf Plus Service Manual
 - Highlighting and Note-Taking Golf Plus Service Manual
 - Interactive Elements Golf Plus Service Manual
- 8. Staying Engaged with Golf Plus Service Manual
 - Joining Online Reading Communities
 - Participating in Virtual Book Clubs
 - Following Authors and Publishers Golf Plus Service Manual
- 9. Balancing eBooks and Physical Books Golf Plus Service Manual
 - Benefits of a Digital Library
 - Creating a Diverse Reading Collection Golf Plus Service Manual
- 10. Overcoming Reading Challenges
 - Dealing with Digital Eye Strain
 - Minimizing Distractions
 - Managing Screen Time
- 11. Cultivating a Reading Routine Golf Plus Service Manual
 - Setting Reading Goals Golf Plus Service Manual
 - Carving Out Dedicated Reading Time
- 12. Sourcing Reliable Information of Golf Plus Service Manual
 - Fact-Checking eBook Content of Golf Plus Service Manual
 - Distinguishing Credible Sources
- 13. Promoting Lifelong Learning
 - Utilizing eBooks for Skill Development
 - Exploring Educational eBooks
- 14. Embracing eBook Trends

- Integration of Multimedia Elements
- Interactive and Gamified eBooks

Golf Plus Service Manual Introduction

In today's digital age, the availability of Golf Plus Service Manual books and manuals for download has revolutionized the way we access information. Gone are the days of physically flipping through pages and carrying heavy textbooks or manuals. With just a few clicks, we can now access a wealth of knowledge from the comfort of our own homes or on the go. This article will explore the advantages of Golf Plus Service Manual books and manuals for download, along with some popular platforms that offer these resources. One of the significant advantages of Golf Plus Service Manual books and manuals for download is the cost-saving aspect. Traditional books and manuals can be costly, especially if you need to purchase several of them for educational or professional purposes. By accessing Golf Plus Service Manual versions, you eliminate the need to spend money on physical copies. This not only saves you money but also reduces the environmental impact associated with book production and transportation. Furthermore, Golf Plus Service Manual books and manuals for download are incredibly convenient. With just a computer or smartphone and an internet connection, you can access a vast library of resources on any subject imaginable. Whether you're a student looking for textbooks, a professional seeking industry-specific manuals, or someone interested in self-improvement, these digital resources provide an efficient and accessible means of acquiring knowledge. Moreover, PDF books and manuals offer a range of benefits compared to other digital formats. PDF files are designed to retain their formatting regardless of the device used to open them. This ensures that the content appears exactly as intended by the author, with no loss of formatting or missing graphics. Additionally, PDF files can be easily annotated, bookmarked, and searched for specific terms, making them highly practical for studying or referencing. When it comes to accessing Golf Plus Service Manual books and manuals, several platforms offer an extensive collection of resources. One such platform is Project Gutenberg, a nonprofit organization that provides over 60,000 free eBooks. These books are primarily in the public domain, meaning they can be freely distributed and downloaded. Project Gutenberg offers a wide range of classic literature, making it an excellent resource for literature enthusiasts. Another popular platform for Golf Plus Service Manual books and manuals is Open Library. Open Library is an initiative of the Internet Archive, a non-profit organization dedicated to digitizing cultural artifacts and making them accessible to the public. Open Library hosts millions of books, including both public domain works and contemporary titles. It also allows users to borrow digital copies of certain books for a limited period, similar to a library lending system. Additionally, many universities and educational institutions have their own digital libraries that provide free access to PDF books and manuals. These libraries often offer academic texts, research papers, and technical manuals, making them invaluable resources for students and researchers. Some notable

examples include MIT OpenCourseWare, which offers free access to course materials from the Massachusetts Institute of Technology, and the Digital Public Library of America, which provides a vast collection of digitized books and historical documents. In conclusion, Golf Plus Service Manual books and manuals for download have transformed the way we access information. They provide a cost-effective and convenient means of acquiring knowledge, offering the ability to access a vast library of resources at our fingertips. With platforms like Project Gutenberg, Open Library, and various digital libraries offered by educational institutions, we have access to an ever-expanding collection of books and manuals. Whether for educational, professional, or personal purposes, these digital resources serve as valuable tools for continuous learning and self-improvement. So why not take advantage of the vast world of Golf Plus Service Manual books and manuals for download and embark on your journey of knowledge?

FAQs About Golf Plus Service Manual Books

What is a Golf Plus Service Manual PDF? A PDF (Portable Document Format) is a file format developed by Adobe that preserves the layout and formatting of a document, regardless of the software, hardware, or operating system used to view or print it. **How do I create a Golf Plus Service Manual PDF?** There are several ways to create a PDF: Use software like Adobe Acrobat, Microsoft Word, or Google Docs, which often have built-in PDF creation tools. Print to PDF: Many applications and operating systems have a "Print to PDF" option that allows you to save a document as a PDF file instead of printing it on paper. Online converters: There are various online tools that can convert different file types to PDF. **How do I edit a Golf Plus Service Manual PDF?** Editing a PDF can be done with software like Adobe Acrobat, which allows direct editing of text, images, and other elements within the PDF. Some free tools, like PDFescape or Smallpdf, also offer basic editing capabilities. **How do I convert a Golf Plus Service Manual PDF to another file format?** There are multiple ways to convert a PDF to another format: Use online converters like Smallpdf, Zamzar, or Adobe Acrobats export feature to convert PDFs to formats like Word, Excel, JPEG, etc. Software like Adobe Acrobat, Microsoft Word, or other PDF editors may have options to export or save PDFs in different formats. **How do I password-protect a Golf Plus Service Manual PDF?** Most PDF editing software allows you to add password protection. In Adobe Acrobat, for instance, you can go to "File" -> "Properties" -> "Security" to set a password to restrict access or editing capabilities. Are there any free alternatives to Adobe Acrobat for working with PDFs? Yes, there are many free alternatives for working with PDFs, such as: LibreOffice: Offers PDF editing features. PDFsam: Allows splitting, merging, and editing PDFs. Foxit Reader: Provides basic PDF viewing and editing capabilities. How do I compress a PDF file? You can use online tools like Smallpdf, ILovePDF, or desktop software like Adobe Acrobat to compress PDF files without significant quality loss. Compression reduces the file size, making it easier to

share and download. Can I fill out forms in a PDF file? Yes, most PDF viewers/editors like Adobe Acrobat, Preview (on Mac), or various online tools allow you to fill out forms in PDF files by selecting text fields and entering information. Are there any restrictions when working with PDFs? Some PDFs might have restrictions set by their creator, such as password protection, editing restrictions, or print restrictions. Breaking these restrictions might require specific software or tools, which may or may not be legal depending on the circumstances and local laws.

Find Golf Plus Service Manual :

houghton mifflin english level 4 teachers edition

house of beadle adams 3vol

houses and personality development the jungian symbolism & astrology series

house of tomorrow

house built on sand the conflicts of germany policy in russia 1939-1945

hospitalized adolescent

houdinis escapes

house of painthe rayner sisters story

hotel busy places s.

house of the rancher inscribed

hot december

house on pooh corner

house of the shining tide volume 52 unabridged

house at briar lake

house of lyall

Golf Plus Service Manual :

smart energy systems - Apr 12 2023

web smart energy systems 2 foreword steven moore gsma 4 paul slot kpn 5 executive summary 6 introduction smart energy systems 10 from a fossil fuelled industry into a renewable energy based system in order to make a successful energy transition we need new and affordable technologies we need inspired leaders that take action and we

design of smart power grid renewable energy systems 3rd edition - Jan 29 2022

web the revised third edition of design of smart power grid renewable energy systems integrates three areas of electrical engineering power systems power electronics and electric energy conversion systems the book also addresses the fundamental design of wind and photovoltaic pv energy microgrids as part of smart bulk power grid systems

[smart multi level energy management algorithm for grid](#) - May 01 2022

web sep 24 2020 the intermittency of single renewable energy sources affects significantly their reliability and hence hybrid renewable energy systems hress are introduced hress are notably used to meet the needs of residential loads

smart energy systems energyplan - Dec 08 2022

web since the development of energyplan began back in the year 2000 the concept of a 100 renewable energy system has evolved significantly we define the most recent concept as a smart energy system which is most recently based on the outputs of the ceesa project a smart energy system is defined by the following key principals it is affordable

renewable energy systems a smart energy systems approach - Feb 10 2023

web renewable energy systems a smart energy systems approach to the choice and modeling of 100 renewable solutions edition 2 ebook written by henrik lund read this book using google play books app on your pc android ios devices

renewable energy systems a smart energy systems approach - Jun 14 2023

web mar 24 2014 the book provides the results of more than fifteen comprehensive energy system analysis studies examines the large scale integration of renewable energy into the present system and

[smart home renewable energy management system](#) - Jul 03 2022

web jan 1 2011 abstract one of the major attribute of the smart grid is to integrate renewable and storage energy resources at the consumption premises this paper presents the design implementation and testing of an embedded system that integrates solar and storage energy resources to a smart home the proposed system provides and

energyplan advanced analysis of smart energy systems - Oct 06 2022

web feb 1 2021 abstract energyplan is an energy system analysis tool created for the study and research in the design of future sustainable energy solutions with a special focus on energy systems with high shares of renewable energy sources it has been under development since 1999 and has formed the basis for a substantial number of phd

[renewable energy systems a smart energy systems](#) - May 13 2023

web apr 21 2014 renewable energy systems a smart energy systems approach to the choice and modeling of 100 renewable solutions henrik lund elsevier science apr 21 2014 technology engineering

pdf renewable energy systems a smart energy systems - Aug 16 2023

web mar 24 2014 in this new edition of renewable energy systems globally recognized renewable energy researcher and professor henrik lund sets forth a straightforward comprehensive methodology for comparing different energy systems

abilities to integrate fluctuating and intermittent renewable energy sources

smart grid technology and renewable energy systems - Mar 11 2023

web nov 11 2022 smart grid technology and renewable energy systems abstract the idea of smart grids has been around for more than ten years and they are crucial to the digital revolution of the power industry an overview of smart grids including terminology trends and key features

smart renewable energy systems a great opportunity for - Nov 07 2022

web may 30 2017 abstract developing countries can widely benefit from adopting renewable energy systems as a means to enhance the adoption smart energy systems can introduce assistance to users lacking the necessary knowledge of the installation of solar wind or generator based systems

smart energy systems for smart city districts case study - Sep 05 2022

web sep 5 2016 many approaches focus on smart energy system design and smart energy systems as a priori 100 renewable systems e g lund et al to keep the door open to compare existing energy regimes and infrastructure like fossil energy systems the pre definition of a specific target resource system was avoided in this work

smart energy management in renewable energy systems - Jul 15 2023

web tomar a and pattnaik a smart energy management in renewable energy systems in smart energy management systems and renewable energy resources edited by m rizwan and m jamil aip publishing melville new york 2021 pp 1 1 1 24

how smart integrated renewable energy systems can drive - Feb 27 2022

web mar 2 2020 smart integrated renewable energy systems could overcome some of the challenging barriers these systems which could logistically deliver sustainable energy services to all sections of communities rely on three pillars energy sector coupling demand side management and peer to peer transactions of energy

power electronics in renewable energy systems and smart grid - Dec 28 2021

web the authors cover information on a variety of energy systems including wind solar ocean and geothermal energy systems as well as fuel cell systems and bulk energy storage systems they also examine smart grid elements

a review of algorithms for control and optimization for energy - Mar 31 2022

web oct 9 2018 the intermittent nature of renewable energy sources acting alone does not make the system reliable however combining one or more sources like solar wind diesel biomass micro hydel etc with adequate storage options or intelligent control of hybrid systems ensures power availability to the end user

smart energy management systems and renewable energy - Aug 04 2022

web pdf chapter 1 smart energy management in renewable energy systems by anuradha tomar amruta pattnaik doi doi org 10 1063 9780735422827 001 pdf chapter 2 feasibility analysis of net metering execution in hybrid energy systems

artificial intelligence applications in renewable energy systems - Jan 09 2023

web artificial intelligence applications in renewable energy systems and smart grid some novel applications abstract this chapter comprehensively reviews the basic principles of artificial intelligence ai such as expert systems es fuzzy logic fl artificial neural network ann or neural network nnw and genetic

ai explainability and governance in smart energy systems a review - Jun 02 2022

web jan 27 2023 smart grids or smart energy systems continue to transform the energy sector with emerging technologies renewable energy sources and other trends artificial intelligence ai is being applied to smart energy systems to process massive and complex data in this sector and make smart and timely decisions

mergers acquisitions strategien ablaufe und begri pdf uniport edu - Apr 29 2022

web 4 mergers acquisitions strategien ablaufe und begri 2022 02 17 post merger integration den gewünschten erfolg erbringt inhalte integrierte m a prozesse

mergers acquisitions strategien abläufe und begriffe im - Jun 12 2023

web mergers acquisitions strategien abläufe und begriffe im unternehmenskauf essentials engelhardt clemens isbn 9783658170653 kostenloser versand für

mergers acquisitions strategien abläufe und begriffe im - Nov 05 2022

web mergers and acquisitions unternehmensakquisitionen und mergers amp acquisitions strategien abl ufe und begriffe m amp a das phasenmodell einer m amp a business

mergers acquisitions strategien ablaufe und begri david owen - Dec 26 2021

web the mergers acquisitions strategien ablaufe und begri it is totally easy then previously currently we extend the join to purchase and make bargains to download and install

mergers acquisitions strategien abläufe und begriffe im - Oct 24 2021

web book mergers acquisitions strategien abläufe und begriffe im unternehmenskauf essentials by clemens engelhardt moreover it is not instantly done you could believe

mergers acquisitions strategien abläufe und begriffe im - Sep 22 2021**mergers acquisitions management strategie und** - May 11 2023

web ein umfassender und fundierter Überblick über das management von mergers acquisitions wobei auch die post merger integration ausführlich behandelt wird ein

mergersacquisitionsstrategienablaufeundbegri pdf - Jan 27 2022

web mar 22 2023 4724485 mergers acquisitions strategien ablaufe und begri 1 16 downloaded from id blockchain idea gov

vn on by guest mergers acquisitions

mergers acquisitions strategien abläufe und begriffe im - Mar 29 2022

web may 2 2023 mergers acquisitions strategien abläufe und begriffe im unternehmenskauf essentials by clemens engelhardt

web mergers amp acquisitions strategien abläufe und begriffe im unternehmenskauf essentials by clemens engelhardt

mergers acquisitions strategien abläufe und begriffe im - Dec 06 2022

web mergers amp acquisitions strategien abläufe und begriffe mergers amp acquisitions von clemens engelhardt fachbuch

mergers test 2020 die top 7 im vergleich mergers

mergers acquisitions strategien abläufe und begriffe im - Nov 24 2021

web mergers amp acquisitions strategien abläufe und begriffe personalarbeit bei mergers amp acquisitions mergers amp

acquisitions das geschäft mit fusionen und das

mergers acquisitions strategien abläufe und begriffe im - Jul 01 2022

web this mergers acquisitions strategien abläufe und begriffe im unternehmenskauf essentials by clemens engelhardt as one

of the predominant functioning sellers here

mergers acquisitions tipps strategien für - Mar 09 2023

web m a prozesse sind an und verkäufe von unternehmen die in nahezu jeder branche üblich sind auch die intelligentis bietet

als ihr m a experte ein breites branchen

mergers acquisitions im mittelstand unternehmen und - Jan 07 2023

web mergers amp acquisitions strategien abläufe und begriffe im unternehmenskauf essentials mergers and acquisitions

from a z mergers amp acquisitions

mergers acquisitions strategien abläufe und begriffe im - Apr 10 2023

web apr 23 2021 acquisition a heißt erwerb der begriff m a bezeichnet eine Übernahme oder verschmelzung von zwei

unternehmen oder teilen von unternehmen

mergers acquisitions strategien abläufe und begriffe im - Sep 03 2022

web jun 10 2023 mergers acquisitions strategien abläufe und begriffe im unternehmenskauf essentials by clemens

engelhardt mergers acquisitions

mergers acquisitions strategien abläufe und begriffe im - Jul 13 2023

web neben der darstellung der einzelnen prozessschritte und praktischen herausforderungen von der due diligence bis hin zu

signing und closing erläutert der autor auch die

mergers acquisitions strategien abläufe und begriffe im - Aug 02 2022

web mergers amp acquisitions strategien abläufe und begriffe m amp a das phasenmodell einer m amp a business wissen de

mergers amp acquisitions von clemens engelhardt

mergers acquisitions strategien ablaufe und begri pdf - Feb 25 2022

web mergersacquisitionsstrategienablaufeundbegri 1 1 downloaded from rapport bicworld com on by guest

mergersacquisitionsstrategienablaufeundbe gri

mergers acquisitions strategien abläufe und begriffe im - May 31 2022

web aug 2 2023 mergers acquisitions strategien ablaufe und begri 1 1 downloaded from uniport edu ng on august 2 2023 by guest mergers acquisitions strategien ablaufe

mergers acquisitions prozesse einfach erklärt - Feb 08 2023

web mergers acquisitions im mittelstand unternehmen und beteiligungen gezielt kaufen und verkaufen planung strategie durchführung integration springerlink book

mergers acquisitions strategien abläufe und begriffe im - Oct 04 2022

web mergers acquisitions strategien abläufe und begriffe im unternehmenskauf essentials by clemens engelhardt verkäufersicht neben der darstellung der einzelnen

mergers acquisitions strategien abläufe und begriffe - Aug 14 2023

web erläutert grundbegriffe und typische abläufe im unternehmenskauf mit praktischen hinweisen für das projektmanagement enthält eine kommentierung der üblichen

je me libère la voix le chant postural by elisabeth baile - Sep 22 2021

web jun 11 2023 cheers for acquiring je me libère la voix le chant postural by elisabeth baile vous rêveriez d une voix libre et puissante elisabeth baile a créé une nouvelle

je me libère la voix le chant postural by elisabeth baile - Mar 29 2022

web may 6 2023 je me libère la voix le chant postural by elisabeth baile la libération de la france de l occupation allemande malgré la grave crise qu avait connue la troisième

je me libère la voix le chant postural by elisabeth baile - Oct 04 2022

web pour la libérer le chant postural nous propose de trouver un appui nouveau sur notre bassin bien placé et de réajuster notre posture notre voix gagne alors en justesse

je me libère la voix le chant postural by elisabeth baile - Nov 05 2022

web je me libère la voix le chant postural by elisabeth baile lire leons de psychanalyse le regard et la voix pdf epub le devoir d oubli marcel zang internet archive belle

traduction la voix active ou passive en arabe reverso - Jan 07 2023

web traduction la voix active ou passive dans le dictionnaire français arabe de reverso voir aussi voix rocailleuse

tremblement de la voix une extinction de voix voir

je me lève traduction en arabe reverso context - Dec 06 2022

web traductions en contexte de je me lève en français arabe avec reverso context je me suis levé je me lève tôt

je me libère la voix le chant postural by elisabeth baile - Dec 26 2021

web je me libère la voix le chant postural by elisabeth baile pdf la voix outil lie a l'expérience pratique le cas carme 2010 le signe de jonas forumactif je t

je me libère la voix le chant postural by elisabeth baile - May 31 2022

web je me libère la voix le chant postural by elisabeth baile je me libère la voix le chant postural by elisabeth baile arcade pc valve limit r working ttx le forum

je me libère la voix le chant postural by elisabeth baile - Jul 13 2023

web je me libère la voix le chant postural by elisabeth baile vous rêveriez d'une voix libre et puissante elisabeth baile a créé une nouvelle pédagogie le chant postural pour

je me libère la voix le chant postural by elisabeth baile - Apr 29 2022

web expliquer ses deux auteurs nous expliquent que manque d'assurance dans la voix et la posture vont de pair or notre peur de la cambrure nous empêche de trouver une

je me libère la voix le chant postural pdf pdf election tv - May 11 2023

web title je me libère la voix le chant postural pdf pdf election tv standardmedia co ke created date 9 12 2023 8 15 49 pm

je me libère la voix le chant postural by elisabeth baile - Oct 24 2021

web may 21 2023 je me libère la voix le chant postural by elisabeth baile je me libère la voix le chant postural by elisabeth baile ment ce petit village libanais rsiste l tat

je me libère la voix le chant postural by elisabeth baile - Jun 12 2023

web elisabeth baile a créé une nouvelle pédagogie le chant postural pour vous aider ce livre est le premier à vous l'expliquer ses deux auteurs nous expliquent que manque d

je me libère la voix le chant postural by elisabeth baile - Aug 02 2022

web ce livre est le premier à vous l'expliquer ses deux auteurs nous expliquent que manque d'assurance dans la voix et la posture vont de pair or notre peur de la cambrure nous

legba song and lyrics by maître jb asani spotify - Mar 09 2023

web maître jb asani song 2021

je me libère la voix le chant postural by elisabeth baile - Nov 24 2021

web may 24 2023 pour la libérer le chant postural nous propose de trouver un appui nouveau sur notre bassin bien placé et

de réajuster notre posture notre voix gagne

[je me libère la voix le chant postural by elisabeth baile](#) - Sep 03 2022

web manque d assurance dans la voix et la posture vont de pair or notre peur de la cambrure nous empêche de trouver une assise solide notre voix s en trouve fragilisée bridée

[je me libère la voix le chant postural by elisabeth baile](#) - Aug 14 2023

web auteurs nous expliquent que manque d assurance dans la voix et la posture vont de pair or notre peur de la cambrure nous empêche de trouver une assise solide notre voix s

ririmba by chorale la voix du salut asa iprc musanze - Apr 10 2023

web may 9 2022 audio jeph prolyrics n patrickinstru arr mpano elyseasa iprc musanze

[je me libère la voix le chant postural by elisabeth baile](#) - Feb 25 2022

web may 14 2023 je me libère la voix le chant postural by elisabeth baile je me libère la voix le chant postural by elisabeth baile dont dfinition de dont il te suffisait

je me libère la voix le chant postural by elisabeth baile - Jul 01 2022

web assurance dans la voix et la posture vont de pair or notre peur de la cambrure nous empêche de trouver une assise solide notre voix s en trouve fragilisée bridée pour la

[je me libère la voix le chant postural by elisabeth baile](#) - Jan 27 2022

web la libérer le chant postural nous propose de trouver un appui nouveau sur notre bassin bien placé et de réajuster notre posture notre voix gagne alors en justesse amplitude

[ya levis libala vidéo youtube](#) - Feb 08 2023

web may 13 2018 yalevis libala elmayalovedécouvrez maintenant le premier ep de ya levis el mayalove maintenant disponible lnk to yaleviselmayaloveartiste