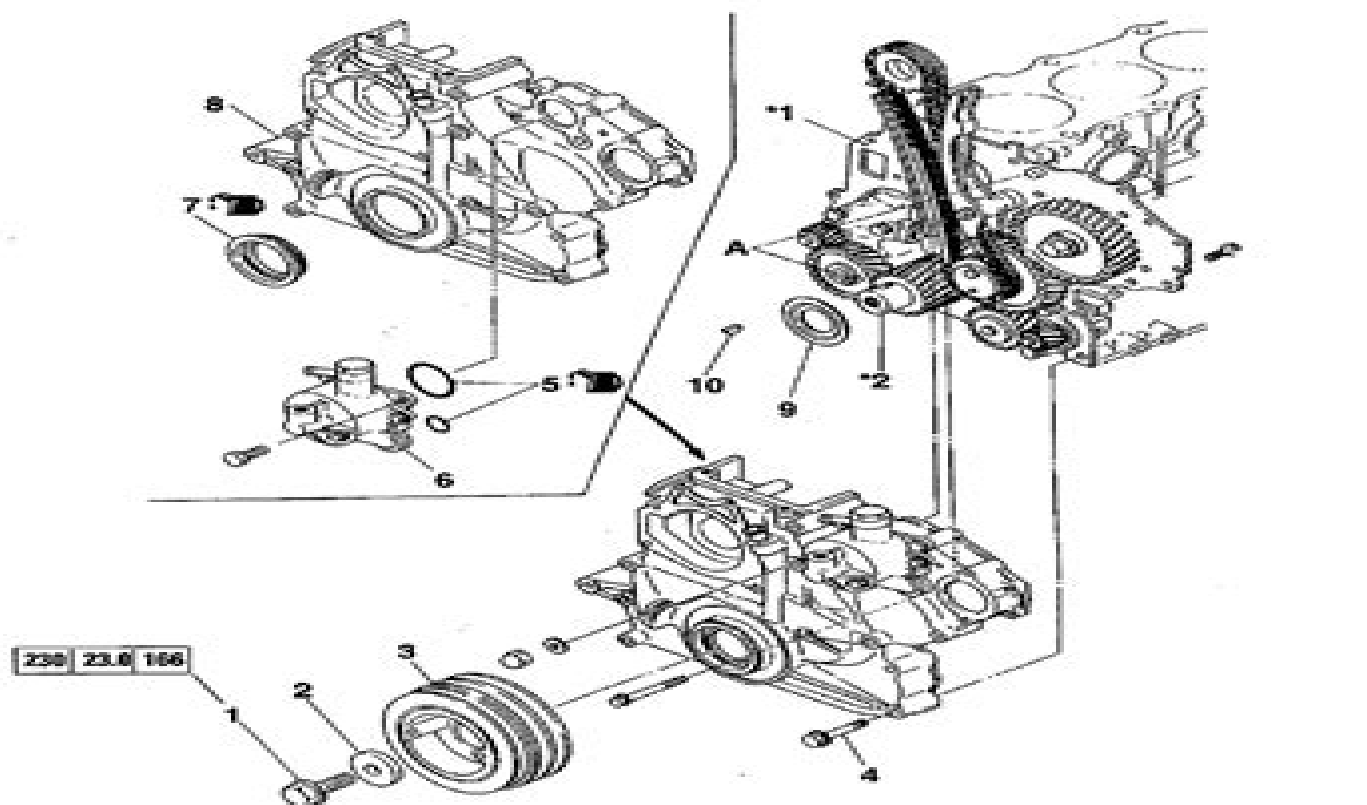


REMOVAL AND INSTALLATION <FOR L200 and CHALLENGER>



Removal steps

- QA0-104** 1. Bolt
 2. Washer
 3. Crankshaft pulley
 4. Bolt
 5. O-ring
 6. Vacuum pump assembly
 (See page 11A-17-1.)
1C4 7. Front oil seal
1B0-1B4 8. Timing gear case
1A4 9. Front oil seal slinger
 10. Key

- *1: Front plate (See page 11A-26-1.)
 *2: Crankshaft (See page 11A-26-1.)
 A: Dowel pin

NOTE
 Do not remove the front oil seal unless absolutely necessary.

Engine Workshop Manual 4m40

J Dewey



Engine Workshop Manual 4m40:

Small Engine Repair Manual Curt Choate,Robert Jex,1991 Workshop Manual, B.M.C. ,1954* Mitsubishi Pajero Automotive Repair Manual Haynes Publishing,2016-05 Workshop Manual TF Series Isuzu Jidōsha Kabushiki Kaisha,1989*
Workshop Manual ,1961 Workshop Manual Engine Volvo, Peugeot, Renault, de Lorean Volvo B28,2009 Complete Handbook for the V6 Europe Engine Peugeot Volvo Renault Alpine De Lorean and others **Ford Diesel Engine : Sierra and Granada:1977 to 1990.2.1, 2.3 and 2.5 litre** Ian Coomber,1991 Workshop Manual Engine Unit AQ 150-150A-150B. Volvo Penta (Firm). Technical Information Department,1967 Workshop Manual, Engines ,1972 Small Engine Manual, 5.5 HP through 20 HP John Haynes,2018-05-01 Each Haynes manual provides specific and detailed instructions for performing everything from basic maintenance and troubleshooting to a complete overhaul of the machine This manual features instructions on maintaining your 5 5 HP through 20 HP small engine Do it yourselfers will find this service and repair manual more comprehensive than the factory manual making it an indispensable part of their tool box

When people should go to the books stores, search initiation by shop, shelf by shelf, it is in reality problematic. This is why we give the ebook compilations in this website. It will certainly ease you to look guide **Engine Workshop Manual 4m40** as you such as.

By searching the title, publisher, or authors of guide you essentially want, you can discover them rapidly. In the house, workplace, or perhaps in your method can be all best area within net connections. If you intention to download and install the Engine Workshop Manual 4m40, it is agreed simple then, back currently we extend the colleague to buy and make bargains to download and install Engine Workshop Manual 4m40 consequently simple!

<https://staging.conocer.cide.edu/data/book-search/Documents/English%20Evergreen%20Guide%20Class%2011%20Cbse.pdf>

Table of Contents Engine Workshop Manual 4m40

1. Understanding the eBook Engine Workshop Manual 4m40
 - The Rise of Digital Reading Engine Workshop Manual 4m40
 - Advantages of eBooks Over Traditional Books
2. Identifying Engine Workshop Manual 4m40
 - Exploring Different Genres
 - Considering Fiction vs. Non-Fiction
 - Determining Your Reading Goals
3. Choosing the Right eBook Platform
 - Popular eBook Platforms
 - Features to Look for in an Engine Workshop Manual 4m40
 - User-Friendly Interface
4. Exploring eBook Recommendations from Engine Workshop Manual 4m40
 - Personalized Recommendations
 - Engine Workshop Manual 4m40 User Reviews and Ratings
 - Engine Workshop Manual 4m40 and Bestseller Lists

5. Accessing Engine Workshop Manual 4m40 Free and Paid eBooks
 - Engine Workshop Manual 4m40 Public Domain eBooks
 - Engine Workshop Manual 4m40 eBook Subscription Services
 - Engine Workshop Manual 4m40 Budget-Friendly Options
6. Navigating Engine Workshop Manual 4m40 eBook Formats
 - ePub, PDF, MOBI, and More
 - Engine Workshop Manual 4m40 Compatibility with Devices
 - Engine Workshop Manual 4m40 Enhanced eBook Features
7. Enhancing Your Reading Experience
 - Adjustable Fonts and Text Sizes of Engine Workshop Manual 4m40
 - Highlighting and Note-Taking Engine Workshop Manual 4m40
 - Interactive Elements Engine Workshop Manual 4m40
8. Staying Engaged with Engine Workshop Manual 4m40
 - Joining Online Reading Communities
 - Participating in Virtual Book Clubs
 - Following Authors and Publishers Engine Workshop Manual 4m40
9. Balancing eBooks and Physical Books Engine Workshop Manual 4m40
 - Benefits of a Digital Library
 - Creating a Diverse Reading Collection Engine Workshop Manual 4m40
10. Overcoming Reading Challenges
 - Dealing with Digital Eye Strain
 - Minimizing Distractions
 - Managing Screen Time
11. Cultivating a Reading Routine Engine Workshop Manual 4m40
 - Setting Reading Goals Engine Workshop Manual 4m40
 - Carving Out Dedicated Reading Time
12. Sourcing Reliable Information of Engine Workshop Manual 4m40
 - Fact-Checking eBook Content of Engine Workshop Manual 4m40
 - Distinguishing Credible Sources
13. Promoting Lifelong Learning

- Utilizing eBooks for Skill Development
 - Exploring Educational eBooks
14. Embracing eBook Trends
- Integration of Multimedia Elements
 - Interactive and Gamified eBooks

Engine Workshop Manual 4m40 Introduction

In today's digital age, the availability of Engine Workshop Manual 4m40 books and manuals for download has revolutionized the way we access information. Gone are the days of physically flipping through pages and carrying heavy textbooks or manuals. With just a few clicks, we can now access a wealth of knowledge from the comfort of our own homes or on the go. This article will explore the advantages of Engine Workshop Manual 4m40 books and manuals for download, along with some popular platforms that offer these resources. One of the significant advantages of Engine Workshop Manual 4m40 books and manuals for download is the cost-saving aspect. Traditional books and manuals can be costly, especially if you need to purchase several of them for educational or professional purposes. By accessing Engine Workshop Manual 4m40 versions, you eliminate the need to spend money on physical copies. This not only saves you money but also reduces the environmental impact associated with book production and transportation. Furthermore, Engine Workshop Manual 4m40 books and manuals for download are incredibly convenient. With just a computer or smartphone and an internet connection, you can access a vast library of resources on any subject imaginable. Whether you're a student looking for textbooks, a professional seeking industry-specific manuals, or someone interested in self-improvement, these digital resources provide an efficient and accessible means of acquiring knowledge. Moreover, PDF books and manuals offer a range of benefits compared to other digital formats. PDF files are designed to retain their formatting regardless of the device used to open them. This ensures that the content appears exactly as intended by the author, with no loss of formatting or missing graphics. Additionally, PDF files can be easily annotated, bookmarked, and searched for specific terms, making them highly practical for studying or referencing. When it comes to accessing Engine Workshop Manual 4m40 books and manuals, several platforms offer an extensive collection of resources. One such platform is Project Gutenberg, a nonprofit organization that provides over 60,000 free eBooks. These books are primarily in the public domain, meaning they can be freely distributed and downloaded. Project Gutenberg offers a wide range of classic literature, making it an excellent resource for literature enthusiasts. Another popular platform for Engine Workshop Manual 4m40 books and manuals is Open Library. Open Library is an initiative of the Internet Archive, a non-profit organization dedicated to digitizing cultural artifacts and making them accessible to the public. Open Library hosts millions of books, including both public domain works and contemporary titles. It also allows users to

borrow digital copies of certain books for a limited period, similar to a library lending system. Additionally, many universities and educational institutions have their own digital libraries that provide free access to PDF books and manuals. These libraries often offer academic texts, research papers, and technical manuals, making them invaluable resources for students and researchers. Some notable examples include MIT OpenCourseWare, which offers free access to course materials from the Massachusetts Institute of Technology, and the Digital Public Library of America, which provides a vast collection of digitized books and historical documents. In conclusion, Engine Workshop Manual 4m40 books and manuals for download have transformed the way we access information. They provide a cost-effective and convenient means of acquiring knowledge, offering the ability to access a vast library of resources at our fingertips. With platforms like Project Gutenberg, Open Library, and various digital libraries offered by educational institutions, we have access to an ever-expanding collection of books and manuals. Whether for educational, professional, or personal purposes, these digital resources serve as valuable tools for continuous learning and self-improvement. So why not take advantage of the vast world of Engine Workshop Manual 4m40 books and manuals for download and embark on your journey of knowledge?

FAQs About Engine Workshop Manual 4m40 Books

How do I know which eBook platform is the best for me? Finding the best eBook platform depends on your reading preferences and device compatibility. Research different platforms, read user reviews, and explore their features before making a choice. Are free eBooks of good quality? Yes, many reputable platforms offer high-quality free eBooks, including classics and public domain works. However, make sure to verify the source to ensure the eBook credibility. Can I read eBooks without an eReader? Absolutely! Most eBook platforms offer webbased readers or mobile apps that allow you to read eBooks on your computer, tablet, or smartphone. How do I avoid digital eye strain while reading eBooks? To prevent digital eye strain, take regular breaks, adjust the font size and background color, and ensure proper lighting while reading eBooks. What the advantage of interactive eBooks? Interactive eBooks incorporate multimedia elements, quizzes, and activities, enhancing the reader engagement and providing a more immersive learning experience. Engine Workshop Manual 4m40 is one of the best book in our library for free trial. We provide copy of Engine Workshop Manual 4m40 in digital format, so the resources that you find are reliable. There are also many Ebooks of related with Engine Workshop Manual 4m40. Where to download Engine Workshop Manual 4m40 online for free? Are you looking for Engine Workshop Manual 4m40 PDF? This is definitely going to save you time and cash in something you should think about. If you trying to find then search around for online. Without a doubt there are numerous these available and many of them have the freedom. However without doubt you receive whatever you purchase. An alternate way to get ideas is always to check another Engine Workshop Manual 4m40.

This method for see exactly what may be included and adopt these ideas to your book. This site will almost certainly help you save time and effort, money and stress. If you are looking for free books then you really should consider finding to assist you try this. Several of Engine Workshop Manual 4m40 are for sale to free while some are payable. If you arent sure if the books you would like to download works with for usage along with your computer, it is possible to download free trials. The free guides make it easy for someone to free access online library for download books to your device. You can get free download on free trial for lots of books categories. Our library is the biggest of these that have literally hundreds of thousands of different products categories represented. You will also see that there are specific sites catered to different product types or categories, brands or niches related with Engine Workshop Manual 4m40. So depending on what exactly you are searching, you will be able to choose e books to suit your own need. Need to access completely for Campbell Biology Seventh Edition book? Access Ebook without any digging. And by having access to our ebook online or by storing it on your computer, you have convenient answers with Engine Workshop Manual 4m40 To get started finding Engine Workshop Manual 4m40, you are right to find our website which has a comprehensive collection of books online. Our library is the biggest of these that have literally hundreds of thousands of different products represented. You will also see that there are specific sites catered to different categories or niches related with Engine Workshop Manual 4m40 So depending on what exactly you are searching, you will be able tochoose ebook to suit your own need. Thank you for reading Engine Workshop Manual 4m40. Maybe you have knowledge that, people have search numerous times for their favorite readings like this Engine Workshop Manual 4m40, but end up in harmful downloads. Rather than reading a good book with a cup of coffee in the afternoon, instead they juggled with some harmful bugs inside their laptop. Engine Workshop Manual 4m40 is available in our book collection an online access to it is set as public so you can download it instantly. Our digital library spans in multiple locations, allowing you to get the most less latency time to download any of our books like this one. Merely said, Engine Workshop Manual 4m40 is universally compatible with any devices to read.

Find Engine Workshop Manual 4m40 :

[english evergreen guide class 11 cbse](#)

[engineering mechanics dynamics hibbeler 13th edition solutions manual](#)

[english 869paper of june 23](#)

[engine wiring diagram for toyota innova](#)

[engineering electromagnetics 7th edition](#)

[engineering science n2 exam papers](#)

[engineering science n4 memorandum paper of november 2014](#)

[engine parts manual 98 jeep wrangler](#)

engineering mechanics statics solutions manual plesha

[engineering materials budinski manual](#)

[english excemlars grade 11 2014](#)

[engineering fluid mechanics t crowe 8th edition](#)

english b ib hl november 2013 paper

[engineering your future an australasian guide second](#)

[engineering science n2 memorandum of november2013](#)

Engine Workshop Manual 4m40 :

[usmle step 2 ck lecture notes 2017 internal medicine - May 12 2023](#)

web sep 6 2016 the official kaplan lecture notes for usmle step 2 ck cover the comprehensive information you need to ace the usmle step 2 and match into the residency of your choice up to date updated

[kaplan internal medicine videos 2023 usmle step 2 ck free - Dec 27 2021](#)

web mar 25 2023 kaplan internal medicine lectures videos 2023 note single download link include the following subject videos preventive medicine endocrinology rheumatology gastroenterology cardiology hematology infectious disease nephrology pulmonology emergency medicine neurology dermatology radiology and ophthalmology

usmle step 2 ck lecture notes 2021 internal medicine google - Jun 13 2023

web usmle step 2 ck lecture notes 2021 internal medicine kaplan medical 2020 clinical medicine 503 pages the official kaplan lecture notes for usmle step 2 ck cover the

[usmle step 3 lecture notes 2021 2022 internal medicine - Apr 11 2023](#)

web apr 6 2021 kaplan medical simon and schuster apr 6 2021 medical 492 pages the only official kaplan lecture notes for usmle step 3 cover the comprehensive information you need to ace the

kaplan medicine academy usmle board videos - Apr 30 2022

web kaplan medicine academy usmle board videos skip to content wednesday august 30 2023 infectious disease review course 2023 high yield med reviews videos ebook ean 2023 9th congress of the european academy of neurology 2023 acp washington dc internal medicine board review 2023 acp chicago internal

[kaplan internal medicine pdf 2023 free download medical - Jul 14 2023](#)

web aug 7 2023 the official kaplan lecture notes for usmle step 2 ck cover the comprehensive information you need to ace the usmle step 2 and match into the residency of your choice up to date updated annually by kaplan s all star faculty highly

illustrated includes color images and tables integrated

usmle step 2 ck lecture notes 2021 internal medicine pdf - Aug 15 2023

web sep 1 2020 the official kaplan lecture notes for usmle step 2 ck cover the comprehensive information you need to ace the usmle step 2 and match into the residency of your choice up to date updated annually by kaplan s all star faculty

kaplan step 2 ck internal medicine pdf download afratafreeh - Jun 01 2022

web may 12 2020 the official kaplan lecture notes for usmle step 2 ck cover the comprehensive information you need to ace the usmle step 2 and match into the residency of your choice up to date updated annually by kaplan s all star faculty highly illustrated includes color images and tables integrated

kaplan usmle step 2 ck lecture notes 2021 internal medicine - Oct 05 2022

web kaplan usmle step 2 ck lecture notes 2021 internal medicine is a part of 5 book set kaplan medical s usmle step 2 ck lecture notes 2021 the only set on the market that offers a comprehensive yet concise review of usmle step 2 ck exam topics

clinical internal medicine review 2023 by kaplan medical scribd - Jan 08 2023

web clinical internal medicine review 2023 by kaplan medical ebook scribd enjoy millions of ebooks audiobooks magazines and more with a free trial only 11 99 month after trial cancel anytime ebook 1 099 pages 27 hours clinical internal medicine review 2023 for usmle step 2 ck and comlex usa level 2 show full title by kaplan medical

kaplan lecture notes medicine academy usmle board videos - Feb 26 2022

web internal medicine surgery neurology nephrology obstetrics and gynecology rheumatology radiology

usmle step 2 ck books kaplan test prep - Jul 02 2022

web buy on amazon usmle step 2 ck lecture notes 2021 5 book set the only set on the market that offers a comprehensive yet concise review of usmle step 2 ck exam topics includes internal medicine

kaplan lecture notes 2019 internal medicine academia edu - Aug 03 2022

web approach to internal medicine is meant to be a practical field guide dosages of medications are provided for quick reference only readers should consult other resources before applying information in this manual for direct patient care

clinical internal medicine review 2023 by kaplan medical ebook - Sep 04 2022

web the official kaplan lecture notes for usmle step 2 ck cover the comprehensive information you need to ace the usmle step 2 and match into the residency of your choice up to date updated annually by kaplan s all star faculty highly illustrated includes color images and tables

usmle step 2 ck lecture notes 2019 internal medicine - Mar 10 2023

web oct 2 2018 the only official kaplan lecture notes for usmle step 2 ck cover the comprehensive information you need to ace the usmle step 2 and match into the residency of your choice up to date updated

usmle step 2 ck lecture notes 2021 internal medicine 1 ed - Jan 28 2022

web usmle step 2 ck lecture notes 2021 internal medicine 1 ed 150626137x 9781506261409 9781506261379 the official kaplan lecture notes for usmle step 2 ck cover the comprehensive information you need to

usmle step 2 ck lecture notes 2021 internal medicine perlego - Feb 09 2023

web the official kaplan lecture notes for usmle step 2 ck cover the comprehensive information you need to ace the usmle step 2 and match into the residency of your choice up to date updated annually by kaplan s all star faculty highly illustrated includes color images and tables

clinical internal medicine review 2023 ebook by kaplan medical - Nov 06 2022

web the official kaplan lecture notes for usmle step 2 ck cover the comprehensive information you need to ace the usmle step 2 and match into the residency of your choice up to date updated annually by kaplan s all star faculty highly illustrated includes color images and tables integrated packed with bridges between specialities and basic

usmle step 2 ck lecture notes 2021 internal medicine pdf - Mar 30 2022

usmle step 2 ck lecture notes 2021 internal medicine pdf - Mar 30 2022

web nov 20 2020 internal medicine the best review from the same team that releases usmle step 1 lecture notes revised every year by kaplan s all star expert faculty 450 color images similar to those on the exam structured format calling out high yield topics in the context bridges between specialties and basic science about the author

usmle step 2 ck lecture notes 2021 internal medicine - Dec 07 2022

web kaplan medical simon and schuster sep 1 2020 study aids 512 pages always study with the most up to date prep look for usmle step 2 ck lecture notes 2022 internal medicine isbn 9781506271217 on sale november 2 2021

digital systems design using vhdl charles h roth jr lizy k john - Oct 16 2023

web cengage learning dec 5 2016 computers 592 pages written for advanced study in digital

digital systems design using vhdl charles h roth google - Oct 04 2022

web written for an advanced level course in digital systems design digital systems design using vhdl integrates the use of the industry standard hardware description language vhdl into the digital design process following a review of basic concepts of logic design in chapter 1 the author introduces the basics of vhdl in chapter 2 and

cengage india - Jul 01 2022

web trim size 241 x 181 mm download book information refer book order inspection copy overview features table of contents about the author s written for an advanced level course in digital systems design digital systems design using vhdl integrates the use of the industry standard hardware description language vhdl into the digital

digital systems design using vhdl activate learning with - May 11 2023

web jan 1 2017 digital systems design using vhdl activate learning with these new titles from engineering roth jr charles h

john lizy k on amazon com free shipping on qualifying offers

digital systems design using vhdl softcover abebooks - May 31 2022

web hardcover search for all books with this author and title top search results from the abebooks marketplace digital systems design using vhdl charles h roth lizy kurian john published by cengage learning 2007 04 29 toronto ont london 2007 isbn 10 0495244708 isbn 13 9780495244707 new paperback quantity 5 seller

digital systems design using vhdl edition 3 by jr charles h roth - Sep 03 2022

web jan 1 2017 learn how to effectively use the industry standard hardware description language vhdl as digital systems design using vhdl 3e integrates vhdl into the digital design process the book begins with a valuable review of basic logic design concepts before introducing the fundamentals of vhdl the

digital systems design using vhdl university of texas at austin - Sep 15 2023

web software requirements for digital systems design using vhdl in order to use this book effectively students need to have access to appropriate vhdl software for compiling simulating and synthesizing vhdl code the vhdl software should preferably implement the complete ieee 1993 vhdl standard

digital systems design using vhdl charles h roth jr lizy k john - Apr 10 2023

web mar 30 2007 charles h roth jr lizy k john cengage learning mar 30 2007 technology engineering

digital systems design using vhdl charles h roth lizy kurian john - Jun 12 2023

web digital systems design using vhdl charles h roth lizy kurian john cengage learning 2018 digital electronics 628 pages learn how to effectively use the industry standard

digital systems design using vhdl charles h roth free - Mar 29 2022

web digital systems design using vhdl by charles h roth publication date 1998 topics electronic digital computers circuits computer aided design vhdl computer hardware description language system design data processing publisher pws pub co collection inlibrary printdisabled internetarchivebooks contributor internet archive

digital systems design using vhdl cengage - Jul 13 2023

web roth john s digital systems design using vhdl 3e integrates the use of the industry standard hardware description language vhdl into the digital design process with a review of basic logic design concepts a clear introduction to the basics of vhdl and insightful coverage of advanced vhdl topics that is ideal for today s advanced level

digital systems design using vhdl roth jr charles h john - Aug 02 2022

web digital systems design using vhdl roth jr charles h john lizy kurian amazon sg books

digital systems design using vhdl charles h roth lizy k john - Feb 08 2023

web dec 5 2016 written for advanced study in digital systems design roth john s digital systems design using vhdl 3e

integrates the use of the industry standard hardware description

digital systems design using vhdl semantic scholar - Mar 09 2023

web digital systems design using vhdl c h roth l john published 1998 computer science art tldr this book emphasizes the practical use of vhdl in the digital design process and introduces methods for testing digital systems including boundary scan and a built in self test expand no paper link available save to library create alert cite

digital systems design using vhdl guide books acm digital - Dec 06 2022

web jan 1 2017 abstract written for an advanced level course in digital systems design roth john s digital systems design using vhdl 3e integrates the use of the industry standard hardware description language vhdl into the digital design process

digital systems design using vhdl charles h roth lizy kurian john - Jan 07 2023

web charles h roth lizy kurian john thomson 2008 digital electronics 580 pages written for an advanced level course in digital systems design digital systems design using vhdl integrates the use of the industry standard hardware description language vhdl into the digital design process

digital systems design using vhdl 3rd edition pdf - Feb 25 2022

web digital systems design using vhdl 3rd edition author charles h roth lizy kurian

digital systems design using vhdl international edition - Aug 14 2023

web digital systems design using vhdl international edition 3rd edition charles h roth jr lizy k john isbn 13 9781305638921 copyright 2018 published 592 pages list price usd 194 95 isbn 9781305638921

digital systems design using vhdl roth jr charles h john - Nov 05 2022

web 10 days from delivery replacement written for an advanced level course in digital systems design digital systems design using vhdl integrates the use of the industry standard hardware description language vhdl into the digital design process

digital systems design using vhdl pcepuina org - Apr 29 2022

web this textbook is intended for a senior level course in digital systems design the book covers both basic principles of digital system design and the use of a hardware description language vhdl in the design process after basic principles have been covered design is best taught by using examples for this reason many digital sys

nutrient requirements of fish shrimp animal nutrition - May 01 2022

web nutrient requirements of fish shrimp animal nutrition national research council amazon com tr kitap

nutrient requirements of fish and shrimp the national - Jun 14 2023

web based on recent scientific literature on the nutrient requirements of fish and shrimp at all stages of life the report provides an extensive discussion of each of the nutrient classes including proteins lipids carbohydrates vitamins and minerals and a review of experi ments to determine nutrient requirements

national research council nrc nutrient requirements of fish and shrimp - Dec 28 2021

web oct 5 2011 national research council nrc nutrient requirements of fish and shrimp aquaculture international 10 1007 s10499 011 9480 6 deepdyve deepdyve get 20m full text papers for less than 1 50 day start a

recent studies toward the development of practical diets for shrimp - Mar 31 2022

web jul 1 2017 this section takes a look at the various nutrient requirements of different shrimp species 2 1 protein protein is the most expensive nutrient in practical diets for shrimp culture of which fish meal fm is the most commonly used protein source in the commercial feeds oujifard et al 2012 in 2008 shrimp consumed 27 2 of fm used in

the nutrition and feeding of farmed fish and shrimp - Aug 04 2022

web the quantitative dietary nutrient requirements of fish and shrimp are critically reviewed and suggestions made for dietary nutrient levels within practical complete diets for carnivorous and omnivorous fish and shrimp species

[nutrient requirements of fish and shrimp google books](#) - Oct 06 2022

web may 25 2011 to meet this challenge nutrient requirements of fish and shrimp provides a comprehensive summary of current knowledge about nutrient requirements of fish and shrimp and supporting nutritional science this edition incorporates new material and significant updates to information in the 1993 edition

nutrient requirements of fish and shrimp open library - Mar 11 2023

web feb 2 2023 nutrient requirements of fish and shrimp by national research council u s committee on the nutrient requirements of fish and shrimp 2011 national academies press edition in english committee on the nutrient requirements of fish and shrimp open library

the nutrition and feeding of farmed fish and shrimp - Feb 27 2022

web the study of dietary nutrient requirements in fishes and shrimp has been almost entirely based on studies comparable to those conducted with terrestrial farm animals

[nutrient requirements of fish and shrimp pdf vet ebooks](#) - Jul 03 2022

web to meet this challenge nutrient requirements of fish and shrimp provides a comprehensive summary of current knowledge about nutrient requirements of fish and shrimp and supporting nutritional science this edition incorporates new material and significant updates to information in the 1993 edition

national research council nrc nutrient requirements of fish and shrimp - Aug 16 2023

web oct 5 2011 nutrient requirements of fish and shrimp is likely to achieve high sales the majority of animal nutritionists and feed technologists will wish to own a personal copy and the book should also be on the library shelves of research institutions colleges and universities involved in carrying out teaching and research in agricultural and

summary nutrient requirements of fish and shrimp the - Jan 09 2023

web nutrient requirements of fish and shrimp will be a key resource for everyone involved in aquaculture and for others responsible for the feeding and care of fish and shrimp it will also aid scientists in developing new and improved approaches to satisfy the demands of the growing aquaculture industry

national research council nrc nutrient requirements of fish and shrimp - Feb 10 2023

web jun 1 2011 national research council nrc nutrient requirements of fish and shrimp doi 10 1007 s10499 011 9480 6 authors malcolm jobling universitetet i tromsø norges arktiske universitet request

front matter nutrient requirements of fish and shrimp the - Dec 08 2022

web to meet this challenge nutrient requirements of fish and shrimp provides a comprehensive summary of current knowledge about nutrient requirements of fish and shrimp and supporting nutritional science this edition incorporates new material and significant updates to information in the 1993 edition

nutrient requirements of fish and shrimp cab direct - Apr 12 2023

web identifier s aquatic species dietary energy fiber shrimp feeding saccharides gastrointestinal tract energy use energy utilization fish farming pisciculture fat metabolism lipins dietary standards food requirements nutritional requirements nutritional value quality for nutrition shellfish farming shellfish ranching shrimp

national research council nrc nutrient requirements of fish and shrimp - May 13 2023

web aquacult int 2012 20 601 602 early in the book there is a chapter that gives a description of the structure and function of the digestive tracts of fish and shrimp including an introduction to the digestive enzymes and their modes of action and the physiology of nutrient absorption

practical supplementation of shrimp and fish feeds with crystalline - Nov 07 2022

web jul 20 2014 the dietary met requirements for fish and shrimp range from 1 3 to 3 3 minimum maximum and 1 4 to 2 9 of the dietary cp dry matter basis respectively in terms of the percentage of the total diet values range from 0 5 to 1 5 for cultured fish and from 0 7 to 0 9 for cultured shrimp nrc 2011

the nutrition and feeding of farmed fish and shrimp - Jun 02 2022

web in this part of the training manual the classification structure and biological function of the essential nutrients are described the quantitative dietary nutrient requirements of fish and shrimp critically reviewed and suggestions given for dietary nutrient levels within practical complete rations for fish and shrimp

nutrient requirements of fish and shrimp google books - Sep 05 2022

web jun 25 2011 to meet this challenge nutrient requirements of fish and shrimp provides a comprehensive summary of current knowledge about nutrient requirements of fish and shrimp and supporting nutritional science this edition incorporates new material and significant updates to information in the 1993 edition

the nutrition and feeding of farmed fish and shrimp - Jan 29 2022

web dietary levels recommended are generally based on the known dietary vitamin and mineral requirements of fish in addition until further information is available concerning the dietary nutrient requirements of freshwater prawns the nutrient levels recommended for omnivorous marine shrimp table 18 should

nutrient requirements of fish and shrimp the national - Jul 15 2023

web to meet this challenge nutrient requirements of fish and shrimp provides a comprehensive summary of current knowledge about nutrient requirements of fish and shrimp and supporting nutritional science this edition incorporates new material and significant updates to information in the 1993 edition