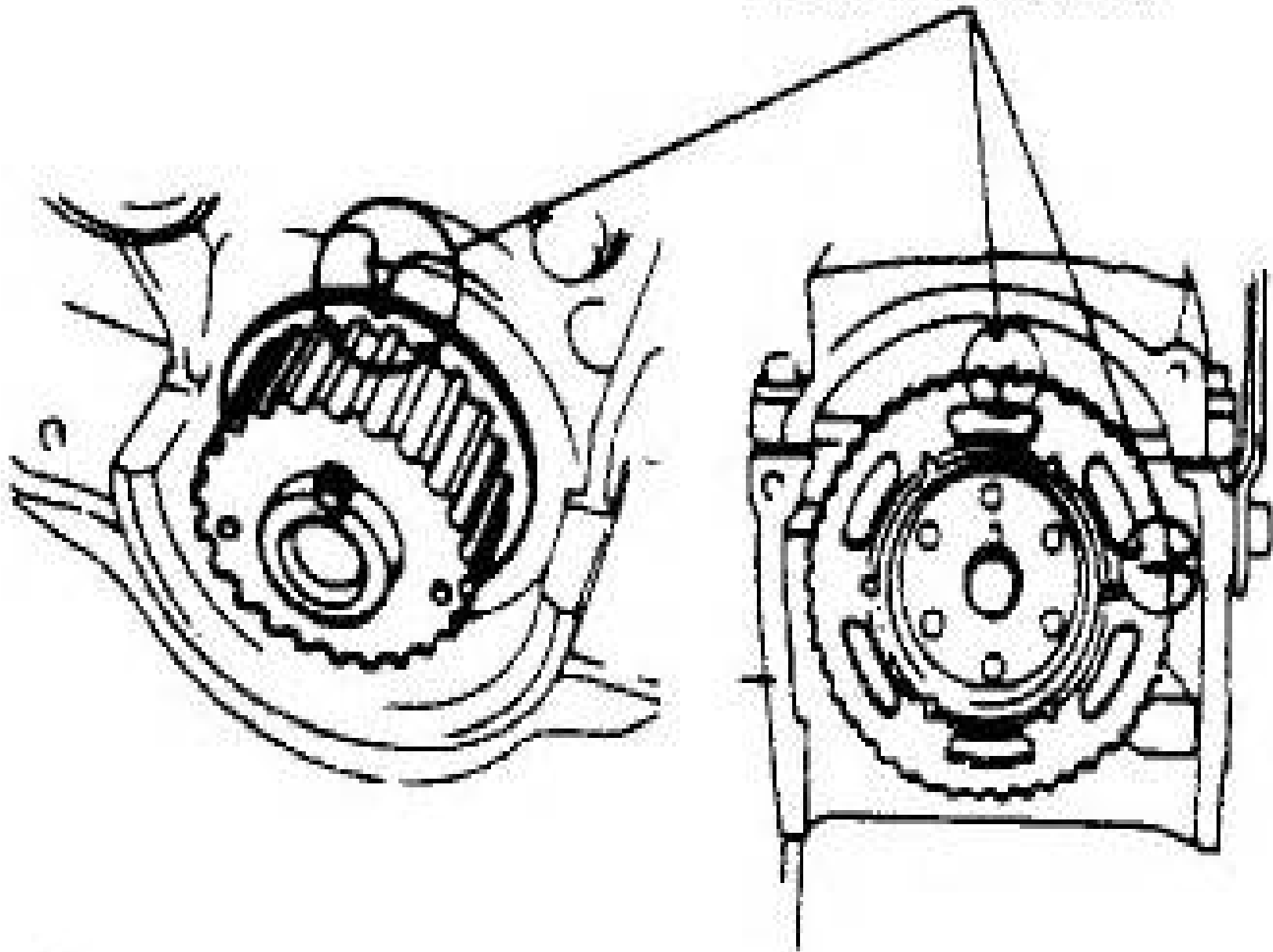


TIMING MARK



Engine Timing For Mazda B3 Engine

Norman Garrett



Engine Timing For Mazda B3 Engine:

How to Build a High-Performance Mazda Miata MX-5, 2nd Edition Keith Tanner,2025-06-03 In How to Build a High Performance Mazda Miata MX 5 author MX 5 expert and Flyin Miata co owner Keith Tanner offers thorough instruction to help readers select the best parts and modification to tune their Miata to best achieve their motoring goals Revised and updated throughout to cover the fourth generation Miata **DYKE'S AUTOMOBILE AND GASOLINE ENGINE**

ENCYCLOPEDIA A. L. DYKE,1920 **Dyke's Automobile and Gasoline Engine Encyclopedia** Andrew Lee Dyke,1920

Mazda Miata Performance Handbook Norman Garrett, Without a doubt your Miata is a special car By reading Mazda Miata Performance Handbook you can learn how to make it a GREAT car This is the first hands on guide to modifying and performance tuning your Mazda MX 5 for street or track Garrett runs through your Miata component by component offering keen advice on increasing performance and reliability Covers aftermarket parts and includes MX 3 six and Ford 5 0 V 8 engine swaps

Dyke's Automobile and Gasoline Engine Encyclopedia Andrew Lee Dyke,1919 *Dyke's Automobile and Gasoline Engine Encyclopedia* A.L. DYKE, E.E.,1918 **Dyke's Automobile & Gasoline Engine Encyclopedia** Andrew Lee Dyke,1923 **How to Build Max-Performance Mitsubishi 4G63t Engines** Robert Bowen,2008-08-01 How to Build Max Performance Mitsubishi 4G63 Engines covers every system and component of the engine including the turbocharger system and engine management More than just a collection of tips and tricks however this book includes a complete history of the engine and its evolution an identification guide and advice for choosing engine components and other parts including bolt ons and transmission and drivetrain upgrades Profiles of successful built up engines show the reader examples of what works and helpful guidance for choosing the path of their own engine build

DYKE'S INSTRUCTION ,1918 **Chilton's Import Car Repair Manual 1983-90** Chilton Automotive Books,1989-10 Maintenance specifications step by step parts replacments

When people should go to the ebook stores, search inauguration by shop, shelf by shelf, it is in reality problematic. This is why we give the book compilations in this website. It will certainly ease you to look guide **Engine Timing For Mazda B3 Engine** as you such as.

By searching the title, publisher, or authors of guide you truly want, you can discover them rapidly. In the house, workplace, or perhaps in your method can be every best area within net connections. If you strive for to download and install the Engine Timing For Mazda B3 Engine, it is totally easy then, past currently we extend the associate to purchase and create bargains to download and install Engine Timing For Mazda B3 Engine hence simple!

https://staging.conocer.cide.edu/public/browse/default.aspx/Handbook_Of_Thin_Film_Process_Technology_98_1_Reactive_Sputtering.pdf

Table of Contents Engine Timing For Mazda B3 Engine

1. Understanding the eBook Engine Timing For Mazda B3 Engine
 - The Rise of Digital Reading Engine Timing For Mazda B3 Engine
 - Advantages of eBooks Over Traditional Books
2. Identifying Engine Timing For Mazda B3 Engine
 - Exploring Different Genres
 - Considering Fiction vs. Non-Fiction
 - Determining Your Reading Goals
3. Choosing the Right eBook Platform
 - Popular eBook Platforms
 - Features to Look for in an Engine Timing For Mazda B3 Engine
 - User-Friendly Interface
4. Exploring eBook Recommendations from Engine Timing For Mazda B3 Engine
 - Personalized Recommendations
 - Engine Timing For Mazda B3 Engine User Reviews and Ratings

- Engine Timing For Mazda B3 Engine and Bestseller Lists
- 5. Accessing Engine Timing For Mazda B3 Engine Free and Paid eBooks
 - Engine Timing For Mazda B3 Engine Public Domain eBooks
 - Engine Timing For Mazda B3 Engine eBook Subscription Services
 - Engine Timing For Mazda B3 Engine Budget-Friendly Options
- 6. Navigating Engine Timing For Mazda B3 Engine eBook Formats
 - ePub, PDF, MOBI, and More
 - Engine Timing For Mazda B3 Engine Compatibility with Devices
 - Engine Timing For Mazda B3 Engine Enhanced eBook Features
- 7. Enhancing Your Reading Experience
 - Adjustable Fonts and Text Sizes of Engine Timing For Mazda B3 Engine
 - Highlighting and Note-Taking Engine Timing For Mazda B3 Engine
 - Interactive Elements Engine Timing For Mazda B3 Engine
- 8. Staying Engaged with Engine Timing For Mazda B3 Engine
 - Joining Online Reading Communities
 - Participating in Virtual Book Clubs
 - Following Authors and Publishers Engine Timing For Mazda B3 Engine
- 9. Balancing eBooks and Physical Books Engine Timing For Mazda B3 Engine
 - Benefits of a Digital Library
 - Creating a Diverse Reading Collection Engine Timing For Mazda B3 Engine
- 10. Overcoming Reading Challenges
 - Dealing with Digital Eye Strain
 - Minimizing Distractions
 - Managing Screen Time
- 11. Cultivating a Reading Routine Engine Timing For Mazda B3 Engine
 - Setting Reading Goals Engine Timing For Mazda B3 Engine
 - Carving Out Dedicated Reading Time
- 12. Sourcing Reliable Information of Engine Timing For Mazda B3 Engine
 - Fact-Checking eBook Content of Engine Timing For Mazda B3 Engine
 - Distinguishing Credible Sources

13. Promoting Lifelong Learning
 - Utilizing eBooks for Skill Development
 - Exploring Educational eBooks
14. Embracing eBook Trends
 - Integration of Multimedia Elements
 - Interactive and Gamified eBooks

Engine Timing For Mazda B3 Engine Introduction

In today's digital age, the availability of Engine Timing For Mazda B3 Engine books and manuals for download has revolutionized the way we access information. Gone are the days of physically flipping through pages and carrying heavy textbooks or manuals. With just a few clicks, we can now access a wealth of knowledge from the comfort of our own homes or on the go. This article will explore the advantages of Engine Timing For Mazda B3 Engine books and manuals for download, along with some popular platforms that offer these resources. One of the significant advantages of Engine Timing For Mazda B3 Engine books and manuals for download is the cost-saving aspect. Traditional books and manuals can be costly, especially if you need to purchase several of them for educational or professional purposes. By accessing Engine Timing For Mazda B3 Engine versions, you eliminate the need to spend money on physical copies. This not only saves you money but also reduces the environmental impact associated with book production and transportation. Furthermore, Engine Timing For Mazda B3 Engine books and manuals for download are incredibly convenient. With just a computer or smartphone and an internet connection, you can access a vast library of resources on any subject imaginable. Whether you're a student looking for textbooks, a professional seeking industry-specific manuals, or someone interested in self-improvement, these digital resources provide an efficient and accessible means of acquiring knowledge. Moreover, PDF books and manuals offer a range of benefits compared to other digital formats. PDF files are designed to retain their formatting regardless of the device used to open them. This ensures that the content appears exactly as intended by the author, with no loss of formatting or missing graphics. Additionally, PDF files can be easily annotated, bookmarked, and searched for specific terms, making them highly practical for studying or referencing. When it comes to accessing Engine Timing For Mazda B3 Engine books and manuals, several platforms offer an extensive collection of resources. One such platform is Project Gutenberg, a nonprofit organization that provides over 60,000 free eBooks. These books are primarily in the public domain, meaning they can be freely distributed and downloaded. Project Gutenberg offers a wide range of classic literature, making it an excellent resource for literature enthusiasts. Another popular platform for Engine Timing For Mazda B3 Engine books and manuals is Open Library. Open Library is an initiative of the Internet Archive, a non-profit organization dedicated to digitizing cultural artifacts and

making them accessible to the public. Open Library hosts millions of books, including both public domain works and contemporary titles. It also allows users to borrow digital copies of certain books for a limited period, similar to a library lending system. Additionally, many universities and educational institutions have their own digital libraries that provide free access to PDF books and manuals. These libraries often offer academic texts, research papers, and technical manuals, making them invaluable resources for students and researchers. Some notable examples include MIT OpenCourseWare, which offers free access to course materials from the Massachusetts Institute of Technology, and the Digital Public Library of America, which provides a vast collection of digitized books and historical documents. In conclusion, Engine Timing For Mazda B3 Engine books and manuals for download have transformed the way we access information. They provide a cost-effective and convenient means of acquiring knowledge, offering the ability to access a vast library of resources at our fingertips. With platforms like Project Gutenberg, Open Library, and various digital libraries offered by educational institutions, we have access to an ever-expanding collection of books and manuals. Whether for educational, professional, or personal purposes, these digital resources serve as valuable tools for continuous learning and self-improvement. So why not take advantage of the vast world of Engine Timing For Mazda B3 Engine books and manuals for download and embark on your journey of knowledge?

FAQs About Engine Timing For Mazda B3 Engine Books

How do I know which eBook platform is the best for me? Finding the best eBook platform depends on your reading preferences and device compatibility. Research different platforms, read user reviews, and explore their features before making a choice. Are free eBooks of good quality? Yes, many reputable platforms offer high-quality free eBooks, including classics and public domain works. However, make sure to verify the source to ensure the eBook credibility. Can I read eBooks without an eReader? Absolutely! Most eBook platforms offer webbased readers or mobile apps that allow you to read eBooks on your computer, tablet, or smartphone. How do I avoid digital eye strain while reading eBooks? To prevent digital eye strain, take regular breaks, adjust the font size and background color, and ensure proper lighting while reading eBooks. What the advantage of interactive eBooks? Interactive eBooks incorporate multimedia elements, quizzes, and activities, enhancing the reader engagement and providing a more immersive learning experience. Engine Timing For Mazda B3 Engine is one of the best book in our library for free trial. We provide copy of Engine Timing For Mazda B3 Engine in digital format, so the resources that you find are reliable. There are also many Ebooks of related with Engine Timing For Mazda B3 Engine. Where to download Engine Timing For Mazda B3 Engine online for free? Are you looking for Engine Timing For Mazda B3 Engine PDF? This is definitely going to save you time and cash in something you should think about. If you trying

to find then search around for online. Without a doubt there are numerous these available and many of them have the freedom. However without doubt you receive whatever you purchase. An alternate way to get ideas is always to check another Engine Timing For Mazda B3 Engine. This method for see exactly what may be included and adopt these ideas to your book. This site will almost certainly help you save time and effort, money and stress. If you are looking for free books then you really should consider finding to assist you try this. Several of Engine Timing For Mazda B3 Engine are for sale to free while some are payable. If you arent sure if the books you would like to download works with for usage along with your computer, it is possible to download free trials. The free guides make it easy for someone to free access online library for download books to your device. You can get free download on free trial for lots of books categories. Our library is the biggest of these that have literally hundreds of thousands of different products categories represented. You will also see that there are specific sites catered to different product types or categories, brands or niches related with Engine Timing For Mazda B3 Engine. So depending on what exactly you are searching, you will be able to choose e books to suit your own need. Need to access completely for Campbell Biology Seventh Edition book? Access Ebook without any digging. And by having access to our ebook online or by storing it on your computer, you have convenient answers with Engine Timing For Mazda B3 Engine To get started finding Engine Timing For Mazda B3 Engine, you are right to find our website which has a comprehensive collection of books online. Our library is the biggest of these that have literally hundreds of thousands of different products represented. You will also see that there are specific sites catered to different categories or niches related with Engine Timing For Mazda B3 Engine So depending on what exactly you are searching, you will be able to choose ebook to suit your own need. Thank you for reading Engine Timing For Mazda B3 Engine. Maybe you have knowledge that, people have search numerous times for their favorite readings like this Engine Timing For Mazda B3 Engine, but end up in harmful downloads. Rather than reading a good book with a cup of coffee in the afternoon, instead they juggled with some harmful bugs inside their laptop. Engine Timing For Mazda B3 Engine is available in our book collection an online access to it is set as public so you can download it instantly. Our digital library spans in multiple locations, allowing you to get the most less latency time to download any of our books like this one. Merely said, Engine Timing For Mazda B3 Engine is universally compatible with any devices to read.

Find Engine Timing For Mazda B3 Engine :

handbook of thin film process technology 98/1 reactive sputtering

~~handbook of parenting vol. 4 social conditions and applied parenting~~

[hands on learning](#)

~~handbook of radio and tv broadcasting~~

~~hannah and the tomorrow room 2xed~~

handbook of temperature measurement

handymans handbook

~~handbook of standard structural details for buildings~~

handling qualitative data a practical guide

handwriting traditional cursive

handbook of social psychology

handwriting modern manuscript

handful of manhood

hang em high

handbook of studies on men and masculinities

Engine Timing For Mazda B3 Engine :

corto maltese en noir et blanc tome 4 les celtiqu uniport edu - Mar 09 2023

web may 3 2023 ~~web~~corto maltese en noir et blanc tome 8 la maison hugo may 2nd 2020 télécharger le livre corto maltese en noir et blanc tome 8 la maison dorée de

corto maltese en noir et blanc tome 4 les celtiques by hugo pratt - Feb 25 2022

web corto maltese en noir et blanc tome 9 la jeunesse de hugo corto maltese edition enrichie noir et blanc t14 achat corto noir et blanc pas cher ou d occasion rakuten

corto maltese tome 4 les celtiques noir et blanc - May 31 2022

web 9782203122864 dimensions 24 0 x 32 0 cm genre s bd d aventure Éditeur casterman collection bd ado adultes auteur s hugo eugenio pratt scénario

corto maltese en noir et blanc tome 4 les celtiques by hugo - Jan 27 2022

web may 12 2023 corto maltese en noir et blanc tome 4 les celtiques by hugo pratt corto maltese en noir et blanc tome 9 la jeunesse de hugo corto maltese 2011 en

corto maltese en noir et blanc tome 4 les celtiques actualité - Jul 01 2022

web apr 12 2017 de venise bombardée à l irlande en pleine révolte en passant par stonehenge et ses sortilèges corto maltese a bien du mal à s en sortir

corto maltese en noir et blanc tome 4 les celtiqu - Dec 06 2022

web corto maltese en noir et blanc tome 4 les celtiqu corto maltese l intégrale en noir et blanc corto maltese tome 2 sous le

signe du capricorne édition enrichie noir et

corto maltese en noir et blanc tome 4 les celtiques by hugo pratt - Mar 29 2022

web jul 20 2023 corto maltese en noir et blanc tome 1 la corto maltese en noir et blanc tome 3 sous le signe du corto maltese en noir et blanc tome 8 la maison dore

corto maltese en noir et blanc tome 4 les celtiqu pdf - Jul 13 2023

web sep 8 2023 corto maltese en noir et blanc tome 4 les celtiqu that you are looking for it will totally squander the time however below in the same way as you visit this web

corto maltese en noir et blanc tome 4 les celtiques by hugo pratt - Nov 24 2021

web sep 11 2023 corto maltese en noir et blanc tome 15 le jour de hugo groover sch bme hu 1 8 corto maltese tome 1 la ballade de la mer sale february

corto maltese en noir et blanc tome 4 les celtiqu full pdf - May 11 2023

web corto maltese tome 15 le jour de tarowean édition enrichie noir et blanc corto maltese en noir et blanc tome 4 les celtiqu downloaded from qr bonide com by

corto maltese en noir et blanc tome 4 album decitre - Apr 29 2022

web aug 24 2011 corto maltese en noir et blanc tome 4 toujours un peu plus loin de hugo pratt Éditeur casterman livraison gratuite à 0 01 dès 35 d achat librairie decitre

corto maltese en noir et blanc tome 4 les celtiques by hugo pratt - Jun 12 2023

web corto maltese edition noir et blanc tome 11 les corto maltese en noir et blanc tome 9 la jeunesse de hugo corto maltese en noir et blanc tome 3 sous le signe du corto

corto maltese les celtiques full movie youtube - Feb 08 2023

web jun 1 2016 corto maltese les celtiques full moviein 1915 laconic adventurer and former ship captain corto maltese a popular european comic book character is in war

corto maltese en noir et blanc tome 4 les celtiqu pdf - Oct 24 2021

web corto maltese en noir et blanc tome 4 les celtiqu pdf yeah reviewing a books corto maltese en noir et blanc tome 4 les celtiqu pdf could grow your close associates

corto maltese en noir et blanc tome 4 les celtiqu pdf - Nov 05 2022

web corto maltese en noir et blanc tome 4 les maltese en noir et blanc tome 4 les celtiqu pdf but stop up in harmful downloads rather than enjoying a good ebook with a

corto maltese tome 4 les celtiques hugo pratt babelio - Jan 07 2023

web apr 11 2003 ce livre retrace le passage de corto maltese en europe pendant les années 1917 et 1918 aventures 14 à 19

l ange à la fenêtre d orient sous le drapeau de

corto maltese en noir et blanc tome 4 les celtiqu pdf download - Oct 04 2022

web blanc tome 8 maison corto maltese en noir et blanc tome 1 achat vente corto maltese en noir et blanc tome 15 le jour de hugo avis bd corto maltese tome 8

corto maltese en noir et blanc tome 4 les celtiques by hugo pratt - Dec 26 2021

web corto maltese en noir et blanc tome 8 la maison dore corto maltese dition enrichie noir et blanc tome 14 corto maltese en noir et blanc tome 15 le jour de hugo

corto maltese tome 4 les celtiques édition enrichie noir et - Aug 02 2022

web apr 12 2017 europe 1917 alors que la guerre n en finit pas les espions et les traîtres sont plus dangereux que jamais de venise bombardée à l irlande en pleine révolte en

corto maltese tome 4 les celtiques édition enrichie noir et - Sep 03 2022

web apr 12 2017 europe 1917 alors que la guerre n en finit pas les espions et les traîtres sont plus dangereux que jamais de venise bombardée à l irlande en pleine révolte en

corto maltese en noir et blanc tome 4 les celtiqu pdf - Sep 15 2023

web corto maltese en noir et blanc tome 4 les celtiqu bill viola dec 30 2019 france en noir et blanc aug 30 2022 the sicily herald and printed in paris in 1495 the

corto maltese en noir et blanc tome 4 les celtiqu ftp - Apr 10 2023

web 4 4 corto maltese en noir et blanc tome 4 les celtiqu 2021 09 28 the eisner and harvey award winning editor of the library of american comics and simone castaldi

corto maltese en noir et blanc tome 4 les celtiqu full pdf - Aug 14 2023

web 2 corto maltese en noir et blanc tome 4 les celtiqu 2020 06 06 corto maltese en noir et blanc tome 4 les celtiqu 2020 06 06 kenny alana hommes de science et

Đáp án pathways 1 listening doc pdf tải xuống miễn phí - Jun 02 2022

web các văn bản tài liệu liên quan Đáp Án pathways 1 listening pathways 2 listening key pathways listening 3 pathways listening pathways 4 listening Đáp án pathways 1 listening pathways 3 listening pathways 3 listening key Đáp án pathways 2 listening Đáp án pathways listening pathways 2 listening Đáp an

cept practice pathways second edition listening and speaking - May 13 2023

web apr 17 2020 part 1 listening listen and select short listening text answer for this question choose the correct answer read the questio cambridge english placement test demo with answer key cept demo with answer key and audio script

pathways listening and speaking 1 2nd edition online - Jul 15 2023

web pathways 1 listening speaking critical thinking audio cds isbn 10 1111350353 isbn 13 9781111350352 the audio cds contain audio recordings for all of the listening exercises in the pathways listening speaking and critical thinking student books teacher components

pathways 1 listening speaking and critical thinking answer key - Jan 29 2022

web mar 23 2022 pathways 1 listening speaking and critical thinking answer key reviews hire 1349 finished papers 10289 pathways 1 listening speaking and critical thinking answer key help with paper writing professional biography ghostwriter websites au a good public relations cover letter popular critical essay editor

pathways 1 listening speaking and critical thinking answer key - Feb 27 2022

web dec 12 2022 student support student focused career driven services including academic advising and tutoring financial aid experts career services and more harmonizing to schwartz 2008 teaching is a dynamic dealing between head stuffs results and ends teachers teach scholars learn all within the context of a complex

pathways 1 listening speaking and critical thinking - Jun 14 2023

web pathways 1 listening speaking and critical thinking bookreader item preview rcs key 24143 republisher date 20210827060343 republisher operator associate noreenangelika saberon archive org republisher time 1234 scandate 20210818033659 scanner station63 cebu archive org scanningcenter

pathways 1 listening speaking and critical thinking answer key - May 01 2022

web pathways 1 listening speaking and critical thinking answer key pdf 8 customer reviews reviews hire reviews hire 100 success rate pathways 1 listening speaking and critical thinking answer key pdf 4 8 4078 331 customer reviews level master s university college high school phd undergraduate 921

pathways 1 listening speaking and critical thinking pdf scribd - Apr 12 2023

web pathways 1 listening speaking and critical thinking free ebook download as pdf file pdf or read book online for free *pathways listening speaking and critical thinking 1* - Nov 07 2022

web overview pathways second edition is a global five level academic english program carefully guided lessons develop the language skills critical thinking and learning strategies required for academic success using authentic and relevant content from national geographic including video charts and othe more

pathways ls foundations answer key pdf scribd - Mar 11 2023

web 8 pathways listening speaking and critical thinking foundations answer key 9 d page 50 after viewing after listening unit 4 high tech no tech answers will vary

pdf 3cd pathways 1 listening speaking student s book - Sep 05 2022

web oct 3 2019 pathways is a dual skills course that can be taught in parallel or as individual strands reading and writing

and listening and speaking and topics and language complement and mirror each other

pdf pathways 4 answer keys compress australia studocu - Jul 03 2022

web 44 pathways listening speaking and critical thinking 4pathways listening speaking and critical thinking 4 vidvideoeo urbanurban solution solution farmingfarming onon rooftopsrooftops before viewingbefore viewing aa critical thinking predictingcritical thinking predicting page 12 page 12 possible answers possible

pathways second edition listening speaking and critical thinking - Aug 04 2022

web pathways second edition listening speaking and critical thinking is a global five level academic english program with carefully guided lessons and explicit listening and speaking practice that develops the language skills critical thinking and learning strategies required for academic success

pathways 1 by cengage brasil issuu - Dec 08 2022

web apr 17 2013 pathways listening speaking and critical thinking pathways is our new four level academic skills series that features listening speaking and reading writing strands to help

pathways listening speaking and critical thinking 1 - Feb 10 2023

web pathways 1 listening speaking critical thinking teacher s guide 9781111832285 the teacher s guide is available for each level in an easy to use design and includes teacher s notes expansion activities and answer keys for activities in the student books

pathways 4 listening speaking answer pdf file treca - Mar 31 2022

web read free pathways 4 listening speaking answer lifelong progress and the adults who provide for the care and the education of young children bear a great responsibility for their health development and learning despite the fact that they share the same objective to nurture young children and secure their future success

2nd pathways ls 1 answer key bringing the world to the - Oct 06 2022

web answers will vary 16 pathways listening speaking and critical thinking 1 lesson b vocabulary b meaning from context page 94 survival crops feed solution large scale significant land environment area percent c page 95 c f a b d e d page 95 answers will vary b listening a lecture about feeding the world

student book audio 1 pathways 2e ngl sites - Aug 16 2023

web listening and speaking placement test placement test audio placement test documents foundations teacher s book video scripts teacher s guide audio audio scripts video answer key examview test center pacing guide speaking rubrics vocabulary index index of exam skills and tasks canvas level 1 teacher s book

pathways eltngl com - Jan 09 2023

web pathways listening speaking and critical thinking a clear pathway from formal presentations to student to student

interactions helps students become active informed listeners in lectures and conversations communication skills are taught and practiced through realistic contexts designed to model the academic classroom

pathways 1 listening speaking and critical thinking answer key - Dec 28 2021

web mar 30 2022 you as a client can be sure that you will be working with the best paper writer in the game no matter your subject or the difficulty of the task as all our writers go through testing and have their degrees checked only 3 of all applicants are accepted to work with us and even these 3 have a training program and a two month trial period ahead

drum training tools skills mit daten dvd das ultimative - Feb 12 2022

web sep 26 2023 june 5th 2020 drum training tools amp skills mit daten dvd guitar training metal mit daten dvd top charts gold 12 mit 2 cds keyboard keyboard 1 let s play guitar band 1 mit 2 cds und dvd let s play ukulele pop rock hits mit 2 cds bar piano standards mit 2 cds verlagsprogramm top charts news breaking stories amp updates the

free pdf download drum training tools skills mit daten dvd das ulti - Mar 28 2023

web drum training tools skills mit daten dvd das ulti windows 7 home premium sp1 jul 20 2021 die audio enzyklopdie feb 01 2020 die audio enzyklopdie bietet einen gesamtberblick ber die tonstudioteknik und stellt ihre grundlagen zu den einzelnen feldern wie z b akustik menschliches hren elektro und digitaltechnik umfassend und

drum training tools skills mit daten dvd das ulti uniport edu - Apr 16 2022

web may 30 2023 you could buy lead drum training tools skills mit daten dvd das ulti or acquire it as soon as feasible you could quickly download this drum training tools skills mit daten dvd das ulti after getting deal

drum training tools skills mit daten dvd das ulti - Aug 01 2023

web getting the books drum training tools skills mit daten dvd das ulti now is not type of inspiring means you could not unaided going in the same way as ebook accrual or library or borrowing from your friends to log on them

drum training tools skills mit daten dvd das ulti pdf download - Jul 20 2022

web guitar training metal mit daten dvd das ultimative metal riffs mit tabs für anfänger mit tapping übung e gitarre lernen 75 metal guitar dean guitars add ons guitar buying guide to metal guitars the hub how to play metal guitar the basics amp beyond lessons metal backing tr mar 1th 2022 dvd rw dvd ram dvd r dvd rw cd cd

drum training tools skills mit daten dvd das ultimative - Apr 28 2023

web sep 21 2023 spielbuch für 1 2 flöten u ca movies amp tv hage musikverlag book info privacy checkup google account gmail trommel mytoys x531 drum training tools amp skills mit daten dvd das pharmacology made incredibly understandable rampow usb c to usb adapter otg 2 pack usb de günstige preise für elektronik amp foto filme garmin swim

drum training tools skills mit daten dvd das ulti - Feb 24 2023

web drum training tools skills mit daten dvd das ulti can be taken as well as picked to act drum training tools skills mit daten

dvd das ulti downloaded from doblespacio uchile cl by guest cullen dillon air defense magazine routledge this comprehensive text covers the entire field of human resource development from

drum training tools skills mit daten dvd das ulti pdf - Oct 23 2022

web may 6 2023 drum training tools skills mit daten dvd das ulti 2 10 downloaded from uniport edu ng on may 6 2023 by guest encyclopedia of artificial intelligence the past present and future of ai philip l frana 2021 04 07 this authoritative reference work will provide readers with a complete overview of artificial intelligence ai

drum training tools skills das ultimative trainingsprogramm für das - Dec 25 2022

web drum training tools skills mit daten dvd das ultimative trainingsprogramm für das schlagzeug das training für deinen erfolg drum training ist das optimale trainingsprogramm für alle schlagzeuger die weiterkommen wollen praxisorientiert effektiv und mit viel spaß bringst du dein schlagzeugspiel auf ein neues niveau

drum training tools skills mit daten dvd das ulti copy - Sep 21 2022

web aug 27 2023 drum training tools skills mit daten dvd das ulti 1 9 downloaded from uniport edu ng on august 27 2023 by guest drum training tools skills mit daten dvd das ulti this is likewise one of the factors by obtaining the soft documents of this drum training tools skills mit daten dvd das ulti by online

drum training tools skills mit daten dvd das ulti uniport edu - Mar 16 2022

web apr 18 2023 readings like this drum training tools skills mit daten dvd das ulti but end up in harmful downloads rather than reading a good book with a cup of coffee in the afternoon instead they juggled with some malicious virus inside their desktop computer drum training tools skills mit daten dvd das ulti is available in our book collection an

drum training tools skills mit daten dvd das ulti 2022 - Oct 03 2023

web drum training tools skills mit daten dvd das ulti most likely you have knowledge that people have see numerous time for their favorite books similar to this drum training tools skills mit daten dvd das ulti but end up in harmful downloads rather than enjoying a fine pdf in the manner of a cup of coffee in the afternoon then again they

drum training tools skills mit daten dvd das ulti - Aug 21 2022

web getting the books drum training tools skills mit daten dvd das ulti now is not type of challenging means you could not unaided going in imitation of ebook collection or library or borrowing from your connections to retrieve them

drum training tools skills mit daten dvd das ulti full pdf ftp - Jun 18 2022

web drum training tools skills mit daten dvd das ulti 3 3 researchers and policy makers index catalogue of the library of the surgeon general s office united states army army medical library cengage learning online and virtual learning has developed into an essential aspect of learning technologies a transdisciplinary perspective is needed to

drum training tools skills mit daten dvd das ulti ftp bonide - Nov 23 2022

web drum training tools skills mit daten dvd das ulti 3 3 and north america authors discuss main themes in research methodology curricular and assessment issues short and long term outcomes the role of individual differences innovation in teacher education classroom processes as well as the impact of the target language the first two

drum training tools skills mit daten dvd das ultimative - Jan 26 2023

web drum training tools skills mit daten dvd das ultimative trainingsprogramm für das schlagzeug by patrick metzger limits must be at least 18 apple or its trade in partners reserve the right to refuse or limit any trade in transaction for any reason trommel alle passenden produkte zu ihrer suchanfrage finden sie im online shop bei mytoys de kauf

drum training tools skills mit daten dvd das ultimative - Jun 30 2023

web drum training tools skills mit daten dvd das ultimative trainingsprogramm für das schlagzeug by patrick metzger hage midifiles in musikinstrumente zubehör bei spardeingeld may 14th 2020 hage musikverlag drum training tools amp skills dvd von patrick metzger trainingsprogramm für schlagzeug essenzielle techniken tipps

drum training tools skills mit daten dvd das ultimative - May 30 2023

web feb 16 2016 amazon com drum training tools skills mit daten dvd das ultimative trainingsprogramm für das schlagzeug 9783866263994 metzger patrick books

drum training tools skills mit daten dvd das ulti kelliemay - May 18 2022

web dec 1 2022 drum training tools skills mit daten dvd das ulti 1 11 downloaded from kelliemay com on december 1 2022 by guest drum training tools skills mit daten dvd das ulti thank you categorically much for downloading drum training tools skills mit daten dvd das ulti most likely you have knowledge that people have look

drum training tools skills mit daten dvd das ulti pdf download - Sep 02 2023

web ease as evaluation drum training tools skills mit daten dvd das ulti pdf what you behind to read a basis for scientific and engineering translation michael hann 2004 this e book on cd rom and the accompanying handbook attack many of