



OPERATOR'S MANUAL

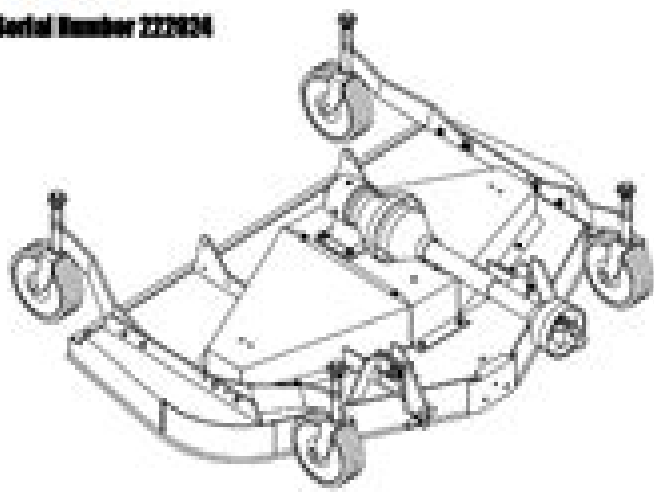
GROOMING MOWERS

GM1060R

GM1072R

GM1084R

Prior to Serial Number 222824



Frontier Finish Mower Manual

R Sandford



Frontier Finish Mower Manual:

Immerse yourself in heartwarming tales of love and emotion with Crafted by is touching creation, Tender Moments: **Frontier Finish Mower Manual** . This emotionally charged ebook, available for download in a PDF format (*), is a celebration of love in all its forms. Download now and let the warmth of these stories envelop your heart.

<https://staging.conocer.cide.edu/About/uploaded-files/HomePages/John%20Deere%20Tc54h%20Parts%20Manual.pdf>

Table of Contents Frontier Finish Mower Manual

1. Understanding the eBook Frontier Finish Mower Manual
 - The Rise of Digital Reading Frontier Finish Mower Manual
 - Advantages of eBooks Over Traditional Books
2. Identifying Frontier Finish Mower Manual
 - Exploring Different Genres
 - Considering Fiction vs. Non-Fiction
 - Determining Your Reading Goals
3. Choosing the Right eBook Platform
 - Popular eBook Platforms
 - Features to Look for in an Frontier Finish Mower Manual
 - User-Friendly Interface
4. Exploring eBook Recommendations from Frontier Finish Mower Manual
 - Personalized Recommendations
 - Frontier Finish Mower Manual User Reviews and Ratings
 - Frontier Finish Mower Manual and Bestseller Lists
5. Accessing Frontier Finish Mower Manual Free and Paid eBooks
 - Frontier Finish Mower Manual Public Domain eBooks
 - Frontier Finish Mower Manual eBook Subscription Services
 - Frontier Finish Mower Manual Budget-Friendly Options
6. Navigating Frontier Finish Mower Manual eBook Formats

- ePub, PDF, MOBI, and More
 - Frontier Finish Mower Manual Compatibility with Devices
 - Frontier Finish Mower Manual Enhanced eBook Features
7. Enhancing Your Reading Experience
 - Adjustable Fonts and Text Sizes of Frontier Finish Mower Manual
 - Highlighting and Note-Taking Frontier Finish Mower Manual
 - Interactive Elements Frontier Finish Mower Manual
 8. Staying Engaged with Frontier Finish Mower Manual
 - Joining Online Reading Communities
 - Participating in Virtual Book Clubs
 - Following Authors and Publishers Frontier Finish Mower Manual
 9. Balancing eBooks and Physical Books Frontier Finish Mower Manual
 - Benefits of a Digital Library
 - Creating a Diverse Reading Collection Frontier Finish Mower Manual
 10. Overcoming Reading Challenges
 - Dealing with Digital Eye Strain
 - Minimizing Distractions
 - Managing Screen Time
 11. Cultivating a Reading Routine Frontier Finish Mower Manual
 - Setting Reading Goals Frontier Finish Mower Manual
 - Carving Out Dedicated Reading Time
 12. Sourcing Reliable Information of Frontier Finish Mower Manual
 - Fact-Checking eBook Content of Frontier Finish Mower Manual
 - Distinguishing Credible Sources
 13. Promoting Lifelong Learning
 - Utilizing eBooks for Skill Development
 - Exploring Educational eBooks
 14. Embracing eBook Trends
 - Integration of Multimedia Elements
 - Interactive and Gamified eBooks

Frontier Finish Mower Manual Introduction

In this digital age, the convenience of accessing information at our fingertips has become a necessity. Whether its research papers, eBooks, or user manuals, PDF files have become the preferred format for sharing and reading documents. However, the cost associated with purchasing PDF files can sometimes be a barrier for many individuals and organizations. Thankfully, there are numerous websites and platforms that allow users to download free PDF files legally. In this article, we will explore some of the best platforms to download free PDFs. One of the most popular platforms to download free PDF files is Project Gutenberg. This online library offers over 60,000 free eBooks that are in the public domain. From classic literature to historical documents, Project Gutenberg provides a wide range of PDF files that can be downloaded and enjoyed on various devices. The website is user-friendly and allows users to search for specific titles or browse through different categories. Another reliable platform for downloading Frontier Finish Mower Manual free PDF files is Open Library. With its vast collection of over 1 million eBooks, Open Library has something for every reader. The website offers a seamless experience by providing options to borrow or download PDF files. Users simply need to create a free account to access this treasure trove of knowledge. Open Library also allows users to contribute by uploading and sharing their own PDF files, making it a collaborative platform for book enthusiasts. For those interested in academic resources, there are websites dedicated to providing free PDFs of research papers and scientific articles. One such website is Academia.edu, which allows researchers and scholars to share their work with a global audience. Users can download PDF files of research papers, theses, and dissertations covering a wide range of subjects. Academia.edu also provides a platform for discussions and networking within the academic community. When it comes to downloading Frontier Finish Mower Manual free PDF files of magazines, brochures, and catalogs, Issuu is a popular choice. This digital publishing platform hosts a vast collection of publications from around the world. Users can search for specific titles or explore various categories and genres. Issuu offers a seamless reading experience with its user-friendly interface and allows users to download PDF files for offline reading. Apart from dedicated platforms, search engines also play a crucial role in finding free PDF files. Google, for instance, has an advanced search feature that allows users to filter results by file type. By specifying the file type as "PDF," users can find websites that offer free PDF downloads on a specific topic. While downloading Frontier Finish Mower Manual free PDF files is convenient, its important to note that copyright laws must be respected. Always ensure that the PDF files you download are legally available for free. Many authors and publishers voluntarily provide free PDF versions of their work, but its essential to be cautious and verify the authenticity of the source before downloading Frontier Finish Mower Manual. In conclusion, the internet offers numerous platforms and websites that allow users to download free PDF files legally. Whether its classic literature, research papers, or magazines, there is something for everyone. The platforms mentioned in this article, such as Project Gutenberg, Open Library, Academia.edu, and Issuu, provide access to a vast collection of PDF files. However, users

should always be cautious and verify the legality of the source before downloading Frontier Finish Mower Manual any PDF files. With these platforms, the world of PDF downloads is just a click away.

FAQs About Frontier Finish Mower Manual Books

1. Where can I buy Frontier Finish Mower Manual books? Bookstores: Physical bookstores like Barnes & Noble, Waterstones, and independent local stores. Online Retailers: Amazon, Book Depository, and various online bookstores offer a wide range of books in physical and digital formats.
2. What are the different book formats available? Hardcover: Sturdy and durable, usually more expensive. Paperback: Cheaper, lighter, and more portable than hardcovers. E-books: Digital books available for e-readers like Kindle or software like Apple Books, Kindle, and Google Play Books.
3. How do I choose a Frontier Finish Mower Manual book to read? Genres: Consider the genre you enjoy (fiction, non-fiction, mystery, sci-fi, etc.). Recommendations: Ask friends, join book clubs, or explore online reviews and recommendations. Author: If you like a particular author, you might enjoy more of their work.
4. How do I take care of Frontier Finish Mower Manual books? Storage: Keep them away from direct sunlight and in a dry environment. Handling: Avoid folding pages, use bookmarks, and handle them with clean hands. Cleaning: Gently dust the covers and pages occasionally.
5. Can I borrow books without buying them? Public Libraries: Local libraries offer a wide range of books for borrowing. Book Swaps: Community book exchanges or online platforms where people exchange books.
6. How can I track my reading progress or manage my book collection? Book Tracking Apps: Goodreads, LibraryThing, and Book Catalogue are popular apps for tracking your reading progress and managing book collections. Spreadsheets: You can create your own spreadsheet to track books read, ratings, and other details.
7. What are Frontier Finish Mower Manual audiobooks, and where can I find them? Audiobooks: Audio recordings of books, perfect for listening while commuting or multitasking. Platforms: Audible, LibriVox, and Google Play Books offer a wide selection of audiobooks.
8. How do I support authors or the book industry? Buy Books: Purchase books from authors or independent bookstores. Reviews: Leave reviews on platforms like Goodreads or Amazon. Promotion: Share your favorite books on social media or recommend them to friends.
9. Are there book clubs or reading communities I can join? Local Clubs: Check for local book clubs in libraries or

- community centers. Online Communities: Platforms like Goodreads have virtual book clubs and discussion groups.
10. Can I read Frontier Finish Mower Manual books for free? Public Domain Books: Many classic books are available for free as they're in the public domain. Free E-books: Some websites offer free e-books legally, like Project Gutenberg or Open Library.

Find Frontier Finish Mower Manual :

john deere tc54h parts manual

john deere service manual ebay

john deere z830a manual

john deere model 9 parts manual

john deere la125 service manual

john deere pro gator 2020 service manual

johnny morris elite manual

john deere f525 mower owners manual

john deere gator hpx 4x4 shop manual

john deere d130

john deere 6605 repair manual

john deere sst18 parts manual

john deere r70 manual

johnson 120 wiring schematic

johnsered chain saw manual

Frontier Finish Mower Manual :

ASTR Smartwork Homework Flashcards This question is based on the following Reading Astronomy News article. Read the article, then answer the question that follows. Why is it better to make ... smartwork: ch 01: homework Flashcards Study with Quizlet and memorize flashcards containing terms like One of the earliest practical uses of astronomy was the timing of crop planting by, ... W.W.Norton & Company | 21st Century Astronomy, 2e SmartWork is a subscription-based online homework system that makes it easy for instructors to assign, collect, and grade homework assignments. Instructor-resources | W. W. Norton & Company Smartwork: Smartwork is an easy-to-use online homework system that helps students learn astronomy by

doing astronomy through a variety of interactive ... Directory of Providers | AL\$ - Affordable Learning Solutions Smartwork is available to accompany textbooks in Chemistry, Biology, Astronomy, Geology, and Economics. Instructors can get started quickly with premade ... Lets Go Play At The Adams edition~ answers to the smartwork homework for astronomy bing pdf... short message service sms pdf: the history of christianity barnet council pdf- bank ... Enriching the Health of Physics Education WebCT site, Physics Cinema Classics DVD, homework solutions format for multi-step problems, and interactive web simulations for the material presented. The ... I am so nervous about receiving my grades that I avoid ... Nov 5, 2022 — My school year started great, I was getting good grades and doing okay, but now I am doing awful. I am missing assignments and messing up. I ... Project Based Learning - Prince | EDT 622 Jul 7, 2017 — Ask children if they have any questions or have noticed any problems that need solved. Script what they say on chart paper for all to see. Financial Analysis With Microsoft Excel Solutions 5ed Pdf Financial Analysis With Microsoft. Excel Solutions 5ed Pdf. INTRODUCTION Financial Analysis. With Microsoft Excel Solutions 5ed Pdf .pdf. Financial Analysis with Microsoft Excel Textbook Solutions Financial Analysis with Microsoft Excel textbook solutions from Chegg, view all supported editions. Financial Analysis with Microsoft Excel (9th Edition) Solutions Guided explanations and solutions for Mayes/Shank's Financial Analysis with Microsoft Excel (9th Edition). Financial Analysis with Microsoft Excel 9th Edition Browse Financial Analysis with Microsoft Excel (9th Edition) Textbook Solutions to find verified answers to questions and quizzes. Financial Analysis with Microsoft Excel by Mayes, Timothy R. The book's solid content addresses today's most important corporate finance topics, including financial statements, budgets, the Market Security Line, pro forma ... Corporate Financial Analysis with Microsoft Excel Aug 19, 2009 — Corporate Financial Analysis with Microsoft® Excel® visualizes spreadsheets as an effective management tool both for financial analysis and for ... Chapter 12 Solutions - Financial Analysis with Microsoft ... Access Financial Analysis with Microsoft Excel 6th Edition Chapter 12 solutions now. Our solutions are written by Chegg experts so you can be assured of the ... Microsoft Excel Data Analysis and Business Modeling, 5th ... Nov 29, 2016 — Master business modeling and analysis techniques with Microsoft Excel 2016, and transform data into bottom-line results. Corporate Financial Analysis with Microsoft Excel Corporate Financial Analysis with Microsoft Excel teaches both financial management and spread- sheet programming. Chapters are organized according to the ... Financial Analysis with Microsoft Excel (9th Edition) Read Financial Analysis with Microsoft Excel (9th Edition) Chapter 9 Textbook Solutions for answers to questions in this college textbook. SpeakerCraft BB2125 2-Channel Amplifier It offers 125W per channel and provides stability into 2 ohms. It also features pass through outputs for cascading additional amplifiers, front-mounted left and ... Would you keep or flip this amp? - AudioKarma Feb 18, 2008 — I came across a Speakercraft BB-2125 amp on Friday at the thrift store and the thing looks brand new. I'd never heard of this brand before, but ... SpeakerCraft BB2125 2 Channel Power Amplifier The SpeakerCraft BB2125 amplifier with a RMS output of 125 Watts per Channel plays loud music. This 2 Ohm stable SpeakerCraft Amplifier prevents electrifying of ...

SpeakerCraft BB2125 2-Channel Home Theater Amplifier Big Bang The BB2125 contains the excellent performance and reliability that SpeakerCraft products have been recognized for. For best performance please carefully read ... SpeakerCraft BB2125 2-Channel Amplifier SpeakerCraft BB2125 2-Channel Amplifier ; Item Number. 125550051379 ; Brand. SpeakerCraft ; Type. Power Amplifier ; Accurate description. 4.8 ; Reasonable shipping ... SpeakerCraft BB2125 Two Channel Amplifier A/V ... SpeakerCraft BB2125 Two Channel Amplifier A/V Preamplifier user reviews : 2 out of 5 - 1 reviews - audioreview.com. SpeakerCraft BB2125 Power Amp~125 Watts Per Channel ... SpeakerCraft BB2125 Highlights 125W Per Channel RMS 5-Way Binding Posts 12V Control Output Allows Daisy Chaining Stability Into 2 Ohm Load 3U High Multiple ... Speakercraft BB2125 2-Channel Power Amplifier SpeakerCraft BB2125 2-Channel Power Amplifier SpeakerCraft BB2125 2-Channel Power Amplifier List Price : \$1,059. 00 Price : \$969. 99 Average Customer Rating ... Speakercraft BB2125 A / B Speakers : r/BudgetAudiophile Can anyone tell me how to swap between Speaker A / B with this amp? I can't find any information online. And the only buttons I've found on ...