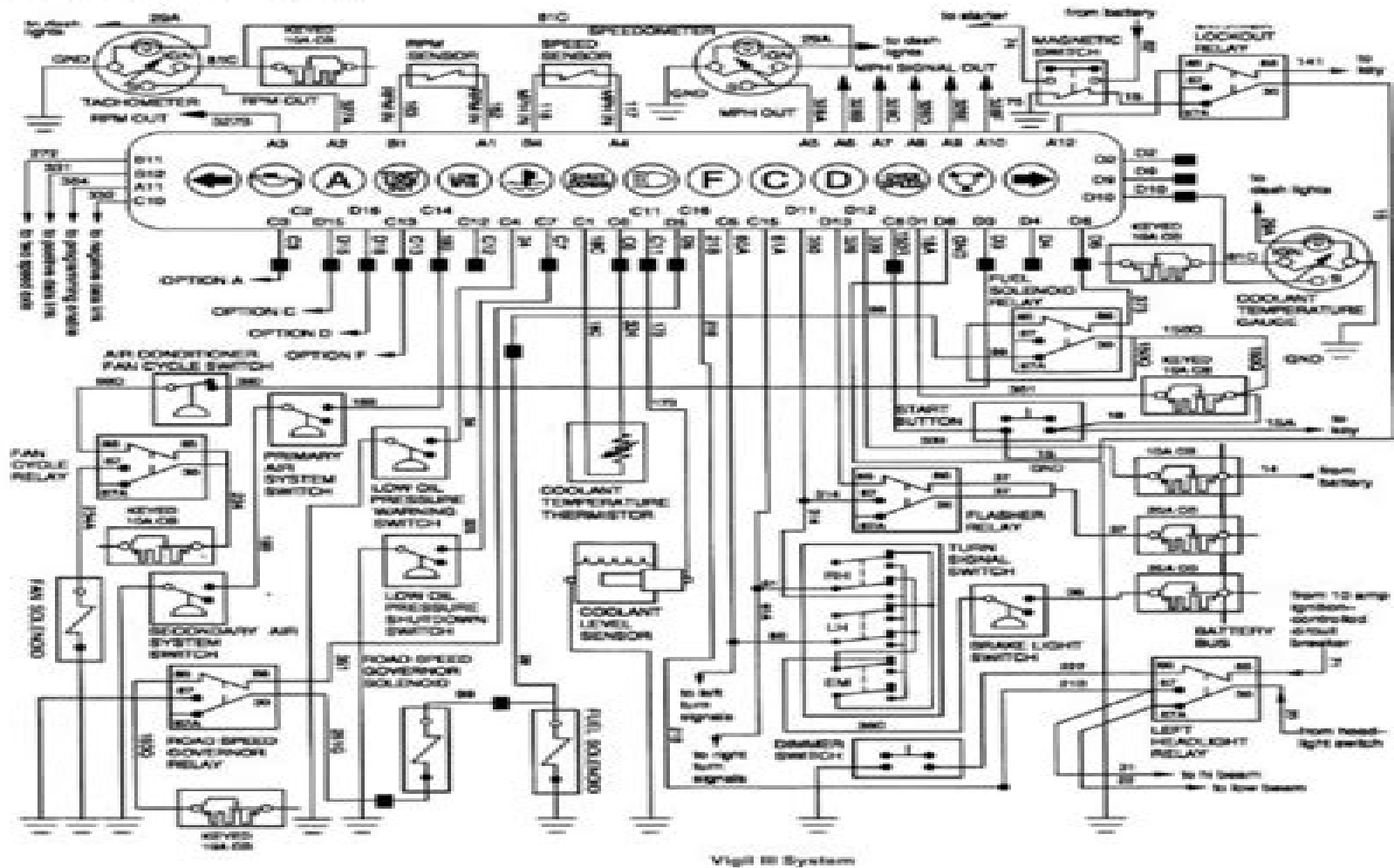


Motor Information Systems



Freightliner

FLA COE, FLB COE, FLD Conventional & FLL COE Models

Freightliner Fld Manual

RS Peters



Freightliner Fld Manual:

Unveiling the Power of Verbal Art: An Emotional Sojourn through **Freightliner Fld Manual**

In a world inundated with displays and the cacophony of quick transmission, the profound power and mental resonance of verbal beauty often disappear into obscurity, eclipsed by the constant assault of noise and distractions. Yet, nestled within the musical pages of **Freightliner Fld Manual**, a captivating perform of literary elegance that pulses with organic feelings, lies an remarkable journey waiting to be embarked upon. Written by way of a virtuoso wordsmith, that mesmerizing opus guides viewers on a mental odyssey, delicately revealing the latent possible and profound impact stuck within the delicate internet of language. Within the heart-wrenching expanse with this evocative examination, we shall embark upon an introspective exploration of the book is central subjects, dissect its captivating writing type, and immerse ourselves in the indelible effect it leaves upon the depths of readers souls.

https://staging.conocer.cide.edu/About/uploaded-files/index.jsp/Mathematics_Pnsc_Limpopodoe_November_2014_Grade_1memorandum.pdf

Table of Contents Freightliner Fld Manual

1. Understanding the eBook Freightliner Fld Manual
 - The Rise of Digital Reading Freightliner Fld Manual
 - Advantages of eBooks Over Traditional Books
2. Identifying Freightliner Fld Manual
 - Exploring Different Genres
 - Considering Fiction vs. Non-Fiction
 - Determining Your Reading Goals
3. Choosing the Right eBook Platform
 - Popular eBook Platforms
 - Features to Look for in an Freightliner Fld Manual
 - User-Friendly Interface
4. Exploring eBook Recommendations from Freightliner Fld Manual

- Personalized Recommendations
 - Freightliner Fld Manual User Reviews and Ratings
 - Freightliner Fld Manual and Bestseller Lists
5. Accessing Freightliner Fld Manual Free and Paid eBooks
 - Freightliner Fld Manual Public Domain eBooks
 - Freightliner Fld Manual eBook Subscription Services
 - Freightliner Fld Manual Budget-Friendly Options
 6. Navigating Freightliner Fld Manual eBook Formats
 - ePub, PDF, MOBI, and More
 - Freightliner Fld Manual Compatibility with Devices
 - Freightliner Fld Manual Enhanced eBook Features
 7. Enhancing Your Reading Experience
 - Adjustable Fonts and Text Sizes of Freightliner Fld Manual
 - Highlighting and Note-Taking Freightliner Fld Manual
 - Interactive Elements Freightliner Fld Manual
 8. Staying Engaged with Freightliner Fld Manual
 - Joining Online Reading Communities
 - Participating in Virtual Book Clubs
 - Following Authors and Publishers Freightliner Fld Manual
 9. Balancing eBooks and Physical Books Freightliner Fld Manual
 - Benefits of a Digital Library
 - Creating a Diverse Reading Collection Freightliner Fld Manual
 10. Overcoming Reading Challenges
 - Dealing with Digital Eye Strain
 - Minimizing Distractions
 - Managing Screen Time
 11. Cultivating a Reading Routine Freightliner Fld Manual
 - Setting Reading Goals Freightliner Fld Manual
 - Carving Out Dedicated Reading Time
 12. Sourcing Reliable Information of Freightliner Fld Manual

- Fact-Checking eBook Content of Freightliner Fld Manual
 - Distinguishing Credible Sources
13. Promoting Lifelong Learning
- Utilizing eBooks for Skill Development
 - Exploring Educational eBooks
14. Embracing eBook Trends
- Integration of Multimedia Elements
 - Interactive and Gamified eBooks

Freightliner Fld Manual Introduction

In this digital age, the convenience of accessing information at our fingertips has become a necessity. Whether its research papers, eBooks, or user manuals, PDF files have become the preferred format for sharing and reading documents. However, the cost associated with purchasing PDF files can sometimes be a barrier for many individuals and organizations. Thankfully, there are numerous websites and platforms that allow users to download free PDF files legally. In this article, we will explore some of the best platforms to download free PDFs. One of the most popular platforms to download free PDF files is Project Gutenberg. This online library offers over 60,000 free eBooks that are in the public domain. From classic literature to historical documents, Project Gutenberg provides a wide range of PDF files that can be downloaded and enjoyed on various devices. The website is user-friendly and allows users to search for specific titles or browse through different categories. Another reliable platform for downloading Freightliner Fld Manual free PDF files is Open Library. With its vast collection of over 1 million eBooks, Open Library has something for every reader. The website offers a seamless experience by providing options to borrow or download PDF files. Users simply need to create a free account to access this treasure trove of knowledge. Open Library also allows users to contribute by uploading and sharing their own PDF files, making it a collaborative platform for book enthusiasts. For those interested in academic resources, there are websites dedicated to providing free PDFs of research papers and scientific articles. One such website is Academia.edu, which allows researchers and scholars to share their work with a global audience. Users can download PDF files of research papers, theses, and dissertations covering a wide range of subjects. Academia.edu also provides a platform for discussions and networking within the academic community. When it comes to downloading Freightliner Fld Manual free PDF files of magazines, brochures, and catalogs, Issuu is a popular choice. This digital publishing platform hosts a vast collection of publications from around the world. Users can search for specific titles or explore various categories and genres. Issuu offers a seamless reading experience with its user-friendly interface and allows users to download PDF files for offline reading. Apart from dedicated

platforms, search engines also play a crucial role in finding free PDF files. Google, for instance, has an advanced search feature that allows users to filter results by file type. By specifying the file type as "PDF," users can find websites that offer free PDF downloads on a specific topic. While downloading Freightliner Fld Manual free PDF files is convenient, its important to note that copyright laws must be respected. Always ensure that the PDF files you download are legally available for free. Many authors and publishers voluntarily provide free PDF versions of their work, but its essential to be cautious and verify the authenticity of the source before downloading Freightliner Fld Manual. In conclusion, the internet offers numerous platforms and websites that allow users to download free PDF files legally. Whether its classic literature, research papers, or magazines, there is something for everyone. The platforms mentioned in this article, such as Project Gutenberg, Open Library, Academia.edu, and Issuu, provide access to a vast collection of PDF files. However, users should always be cautious and verify the legality of the source before downloading Freightliner Fld Manual any PDF files. With these platforms, the world of PDF downloads is just a click away.

FAQs About Freightliner Fld Manual Books

How do I know which eBook platform is the best for me? Finding the best eBook platform depends on your reading preferences and device compatibility. Research different platforms, read user reviews, and explore their features before making a choice. Are free eBooks of good quality? Yes, many reputable platforms offer high-quality free eBooks, including classics and public domain works. However, make sure to verify the source to ensure the eBook credibility. Can I read eBooks without an eReader? Absolutely! Most eBook platforms offer web-based readers or mobile apps that allow you to read eBooks on your computer, tablet, or smartphone. How do I avoid digital eye strain while reading eBooks? To prevent digital eye strain, take regular breaks, adjust the font size and background color, and ensure proper lighting while reading eBooks. What the advantage of interactive eBooks? Interactive eBooks incorporate multimedia elements, quizzes, and activities, enhancing the reader engagement and providing a more immersive learning experience. Freightliner Fld Manual is one of the best book in our library for free trial. We provide copy of Freightliner Fld Manual in digital format, so the resources that you find are reliable. There are also many Ebooks of related with Freightliner Fld Manual. Where to download Freightliner Fld Manual online for free? Are you looking for Freightliner Fld Manual PDF? This is definitely going to save you time and cash in something you should think about.

Find Freightliner Fld Manual :

[mathematics pnsclimpopodoe november 2014 grade 1memorandum](#)

[maths grade 7s ana 2014 questions](#)

[mathematics paper september 2013 memo](#)

[mathematics paper2 memoradum grade12013 mpumalanga](#)

maths edexcel calculator friday 7 november 2014

[maths 97june 2paperanswers](#)

[maths igcse 2015 1f](#)

maths lit supplementary exam 2015

maths lit memo g12 novembe p1 2014

mathematics question papers memorum grade 12

[maths n4 exam papers](#)

[maths grade 2paper](#)

maths nquestion paper 23

[maths lab manual for class 10 cbse](#)

maths p1 memorandums from 2005 to 2015

Freightliner Fld Manual :

dr slump 8 bd 8 toriyama akira amazon com tr kitap - Jun 14 2023

web dr slump 8 bd 8 kağıt kapak 1 ocak 2000 dr slump 8 bd 8 kağıt kapak 1 ocak 2000 almanca baskı akira toriyama eser sahibi 5 0 3 değerlendirme tüm biçimleri ve sürümleri görün

[slump tome by toriyama akira abebooks](#) - Nov 07 2022

web dr slump ultimate edition tome 8 akira toriyama published by glénat 2011 isbn 10 2723478807 isbn 13 9782723478809

[volume 8 penguin grand prix dr slump wiki fandom](#) - Sep 05 2022

web penguin grand prix is the eighth volume of the dr slump manga series written by akira toriyama it was released on august 10 1982 in japan and in july 5 2006 for the english version set in 1982 this volume most notably deals with the first penguin gran prix arc and arale s battle against

[amazon fr dr slump 8](#) - Apr 12 2023

web amazon fr dr slump 8 sélectionnez la section dans laquelle vous souhaitez faire votre recherche

[amazon fr dr slump tome 8](#) - Jul 15 2023

web amazon fr dr slump tome 8 passer au contenu principal fr bonjour entrez votre adresse toutes nos catégories sélectionnez la section dans laquelle vous souhaitez faire votre recherche rechercher amazon fr

manga dr slump prix pas cher neuf et occasion rakuten - Jan 29 2022

web manga dr slump à prix bas neuf et occasion meilleurs prix du web réductions imbattables 3 remboursés minimum sur votre commande

dr slump ultimate edition n°8 by akira toriyama goodreads - Jan 09 2023

web aug 27 2014 1 305 books 1 349 followers follow akira toriyama is a widely known and acclaimed japanese manga artist known mostly for his creation of dragon ball in 1984 it is difficult to pin point the source of toriyama s artwork inspiration

[amazon fr docteur slump tome 08 toriyama akira livres](#) - Feb 10 2023

web noté 5 retrouvez docteur slump tome 08 et des millions de livres en stock sur amazon fr achetez neuf ou d occasion

dr slump ultimate edition 8 tome 8 issue comic vine - May 01 2022

web mar 22 2021 new comics forums gen discussion bug reporting delete combine pages

dr slump manga volume 8 rightstuf - Oct 06 2022

web about dr slump manga volume 8 dr slump 8 features story and art by akira toriyama in the epic penguin village wars arale and friends must battle the forces of evil two alien buttheads and a megalomaniac armed with robotic poop elsewhere senbei s helper robot force feeds him ramen a carjacker refuses to ride with bad drivers and a miniature

dr slump tome 8 bubble bd comics et mangas - Jun 02 2022

web très proche de l univers des dessins animés de tex avery akira toriyama nous livre ici une série complètement délirante où il laisse son imagination et son humour le diriger on retrouve avec plaisir les personnages loufoques du village pingouin aralé la petite fille robot ses amis akané et taro sans oublier le professeur senbei norimaki les

dr slump tome 8 by akira toriyama goodreads - Dec 08 2022

web when goofy inventor senbe norimaki creates a precocious robot named arale his masterpiece turns out to be more than he bargained for basking in the glow of his scientific achievement senbe scrambles to get arale in working order so the rest of penguin village won t have reason to suspect she s not really a girl

dr slump tome 8 november 1 1996 edition open library - May 13 2023

web nov 1 1996 dr slump tome 8 by akira toriyama 0 ratings 0 want to read 0 currently reading 0 have read

dr slump vol 08 volume 8 kağıt kapak 17 mayıs 2018 - Aug 16 2023

web yurtdışından gelen gönderiler yurtdışından gelen gönderiler için gümrük ve ithalat masrafları sizin adınıza ödenir ek bir ödeme yapmanıza gerek yoktur

dr slump ultimate edition tome 8 tankobon decitre - Jul 03 2022

web jan 26 2011 dr slump ultimate edition tome 8 tankobon akira toriyama anthony prezman traducteur satoko fujimoto traducteur note moyenne 1 note donner le premier avis extrait a la suite d une avarie de leur navette spatiale qui devait les conduire sur la lune la famille tsun échoue au village pingouin aralé le docteur lire la suite

dr slump dr slump 81 tortuga Çeviri - Aug 04 2022

web dr slump 81 penguin köyü diye bir köyde yaşayan başarısız mucit senbei norimaki ve icad ettiği çocuk robot arale nin komik maceralarıdır daha çok senbei in icat dr slump dr slump 81 penguin köyü diye bir köyde yaşayan başarısız mucit senbei norimaki ve icad ettiği çocuk robot arale nin komik maceralarıdır

dr slump 8 akira toriyama casa del libro - Mar 31 2022

web slump es el manga más delirante de akira toriyama el creador de dragon ball a raíz de una avería en la nave espacial que les iba a llevar a la luna los tsun acaba en villa pingüino arale el doctor norimaki y los demás intentan hacerse amigos de esta familia con poderes bastante peculiares

dr slump tome 01 directory listing archive org - Dec 28 2021

web apr 4 2021 files for dr slump tome 01 name last modified size go to parent directory drslump tome01 cbz view contents 04 apr 2021 00 58 46 6m

dr slump tome 8 bdfugue com - Feb 27 2022

web jan 26 2011 feuilletez un extrait de dr slump tome 8 perfect edition de akira toriyama 1ère librairie en ligne spécialisée bd envois rapides et soignés

editions of dr slump ultimate edition n°8 by akira toriyama - Mar 11 2023

web editions for dr slump ultimate edition n°8 8467483156 published in 2011 8411124010 paperback published in 2022 8491737898 paperback ki

test bank for governmental and nonprofit accounting 10th - Jun 23 2022

web government and not for profit accounting concepts and practices 9th edition michael h granof saleha b khumawala thad d calabrese isbn 978 1 119 80389 8 november

government and not for profit accounting concepts and wiley - May 23 2022

web access governmental and nonprofit accounting 10th edition chapter 1 problem 1p solution now our solutions are written by chegg experts so you can be assured of the

governmental and nonprofit accounting pearson - Apr 02 2023

web jul 14 2021 245 32 pearson subscription mo month term pay monthly or pay instant access isbn 13 9780137561667 governmental and nonprofit accounting published

chapter 5 solutions governmental and nonprofit accounting - Dec 30 2022

web jul 14 2021 governmental and nonprofit accounting prepares you for professional accounting practice in the nonprofit sector and in government local state and

accounting for governmental nonprofit entities 15 e chapter 1 - Jan 19 2022

web a practice approach that prepares you for professional government and nonprofit accounting written through the eyes of the learner governmental and nonprofit

governmental and nonprofit accounting 11th edition bartleby - Dec 18 2021

web governmental and nonprofit accounting 10th edition isbn 13 9780133060423 isbn 013306042x authors craig d shoulders g robert smith jr terry k patton gregory s

governmental and nonprofit accounting pearson new - Jul 05 2023

web governmental and nonprofit accounting pearson new international edition 10th edition published by pearson united kingdom november 1 2013 2014 robert j

governmental and nonprofit accounting gbv - Jul 25 2022

web test bank for governmental and nonprofit accounting 10th edition robert j freeman pdf generally accepted accounting principles united states financial

governmental and nonprofit accounting 11th edition - Nov 28 2022

web the focus of copley s essentials of accounting for governmental and not for profit organizations 14th edition is on the preparation of external financial statements which is

governmental and nonprofit accounting tenth edition - Aug 26 2022

web governmental and nonprofit accounting governmental and nonprofit accounting theory and practice tenth edition robert j freeman

essentials of accounting for governmental and not for profit - Oct 28 2022

web a practice approach that prepares you for professional government and nonprofit accounting written through the eyes of the learner governmental and nonprofit

governmental and nonprofit accounting 10th edition - Oct 08 2023

web jul 15 2012 governmental and nonprofit accounting 10th edition 10th edition governmental and nonprofit accounting 10th edition 10th edition by robert j

chapter 10 solutions governmental and nonprofit - Mar 01 2023

web buy governmental and nonprofit accounting 10th edition 9780132751261 by robert j freeman for up to 90 off at textbooks com

chapter 1 solutions governmental and nonprofit accounting - Nov 16 2021

governmental and nonprofit accounting 10th edition textbook - Jun 04 2023

web our interactive player makes it easy to find solutions to governmental and nonprofit accounting 10th edition problems you re working on just go to the chapter for your

governmental and nonprofit accounting 11th edition vitalsource - Sep 26 2022

web governmental and nonprofit accounting tenth edition 1 models of public budgeting and accounting reform volume 2 supplement 1 government and not for profit

solved chapter 5 problem 8e solution governmental and - Mar 21 2022

web apr 19 2019 distinguishing between general purpose and special purpose governments distinguishing gnp accounting and reporting standards from business entities

governmental and nonprofit accounting google books - May 03 2023

web robert j freeman craig d shoulders gregory s allison terry k patton g robert smith jr this is a comprehensive textbook that is written through the eyes of the learner

solved chapter 1 problem 1p solution governmental and - Apr 21 2022

web access governmental and nonprofit accounting 10th edition chapter 5 problem 8e solution now our solutions are written by chegg experts so you can be assured of the

accounting for governmental and nonprofit entities 15th edition - Feb 17 2022

web accounting for governmental nonprofit entities 15 e chapter 1 solutions free download as word doc doc pdf file pdf text file txt or read online for free

governmental and nonprofit accounting 10th edition - Aug 06 2023

web apr 11 2013 coupon rent governmental and nonprofit accounting 10th edition by freeman ebook 9780133060423 and save up to 80 on online textbooks at

governmental and nonprofit accounting 10th edition - Jan 31 2023

web access governmental and nonprofit accounting 10th edition chapter 5 solutions now our solutions are written by chegg experts so you can be assured of the highest quality

governmental and nonprofit accounting pearson - Sep 07 2023

web oct 3 2013 governmental and nonprofit accounting pearson new international edition 10th edition published by pearson october 2 2013 2014 robert j

pre intermediate fourth edition headway student s site oxford - Dec 07 2022

web test builder headway pre intermediate choose what you want to do grammar practise your grammar vocabulary practise your vocabulary everyday english listen to and practise dialogues from headway

new headway pre intermediate tests audio sciarium - Aug 03 2022

web mar 23 2015 soars liz soars john oxford university press 2012 4th edition isbn 9780194769617 a completely new pre intermediate level of the world s most trusted english course with brand new digital resources bringing you a completely up to date blended headway course this final cd contains units 9 12

new headway pre intermediate tests fliphtml5 - Sep 04 2022

web oct 9 2017 description new headway pre intermediate tests by lindsay white keywords personal growth read the text version pages 1 50 51 80

headway digital intermediate test riassunti testi copy ci kubesail - Dec 27 2021

web update new headway pre intermediate student s book 4th unit 10 our interactive world pre intermediate listening test 4 test builder headway student s site oxford university headway digital intermediate test riassunti testi

new headway digital intermediate answer key docsity - Apr 30 2022

web scarica esercizi new headway digital intermediate answer key soluzioni esercizi del libro headway digital intermediate di tutte le units new headway digital intermediate answer key esercizi di inglese docsity

intermediate fourth edition headway student s site oxford - Aug 15 2023

web test builder headway intermediate choose what you want to do grammar practise your grammar vocabulary practise your vocabulary everyday english listen to and practise dialogues from headway

headway digital pre intermediate fourth edition academia edu - Jul 02 2022

web this workbook is designed to be used as a professional development resource by teachers youth workers and others who work with young people download free pdf view pdf see full pdf download pdf headway digital pre intermediate workbook answer key fourth edition liz and john soars 3 new headway fourth edition preintermediate

new headway intermediate students book pdf google drive - Nov 06 2022

web learn more signature pending sign

audio and video downloads headway student s site oxford - Jul 14 2023

web 12 hours ago download audio and video resources to help you study better with headway student s book audio unit 1 zip 14mb unit 2 zip 19mb unit 3 zip 17mb unit 4 zip 10mb unit 5 zip 19mb unit 6 zip 11mb unit 7 zip 17mb unit 8 zip 15mb unit 9 zip 9mb unit 10 zip 13mb unit 11 zip 23mb unit 12 zip 15mb workbook audio

headway digital intermediate tests - Mar 30 2022

web kindly say the headway digital intermediate tests is universally compatible with any devices to read american headway

john soars 2015 07 16 still the world s most trusted adult english course american headway third edition combines a perfectly balanced syllabus with more conversation assessment and digital teaching and learning resources

[new headway upper intermediate tests euroclub pdf4pro](#) - Feb 26 2022

web euroclub hr new headway intermediate tests orkbook with further consolidation exercises and writing tasks a traditional methods of language teaching and more recent tests intermediate new headway intermediate tests headway

[headway 5th edition oxford university press](#) - Jan 08 2023

web headway 5th edition retains the course s trusted methodology and has been updated with new texts topics and digital resources manage all of your teaching materials with the teacher s resource centre show course content on screen with the classroom presentation tool practice and develop language with online practice

headway digital intermediate tests pack pdf soundcloud - Jun 01 2022

web play headway digital intermediate tests pack pdf from skimitsapi play audiobooks and excerpts on soundcloud desktop and mobile

[headwaydigitalintermediate tests rh wapa](#) - Jan 28 2022

web new headway pre intermediate fourth edition teacher s book teacher s resource disc new headway pre intermediate fourth edition student s book new headway beginner third edition teacher s resource pack business result new headway pre intermediate workbook ichecker without key cambridge global english coursebook

[headway pre intermediate final test pdf perfect](#) - Oct 05 2022

web headway pre intermediate final test name date write the correct answer it isn t easy you a lot of imagination a are needing b need c needs wayne rooney was a teen phenomenon a football b tennis c star it s a quarter to eight

headway student s site learning resources oxford university - May 12 2023

web headway student s site select your level to browse interactive exercises and downloadable audio and video resources beginner elementary pre intermediate intermediate upper intermediate advanced

new headway intermediate test pdfdrive studocu - Apr 11 2023

web new headway intermediate tests oxford university press amanda maris 2 note to the teacher this booklet consists of 12 unit tests each unit test revises the corresponding unit in new headway english course intermediate student s book 3

progress tests progress test 1 revises units 1 4 progress test 2 revises units 5 8

[headway teacher s site teaching resources oxford](#) - Mar 10 2023

web headway unit and progress tests specifically designed for learners with dyslexia headway elementary dyslexia friendly tests pdf 657 kb headway pre intermediate dyslexia friendly tests pdf 694 kb headway intermediate dyslexia friendly tests pdf 663 kb

new headway intermediate tests studfiles - Feb 09 2023

web new headway intermediate test booklet note to the teacher this booklet consists of 12 unit tests each unit test revises the corresponding unit in new headway english course intermediate student s book 3 progress tests progress test 1 revises units 1 4 progress test 2 revises units 5 8 progress test 3 revises units 9 12 answer key

test builder headway student s site oxford university press - Jun 13 2023

web test builder headway student s site oxford university press students headway student s site pre intermediate fourth edition test builder grammar vocabulary everyday english audio and video downloads test builder