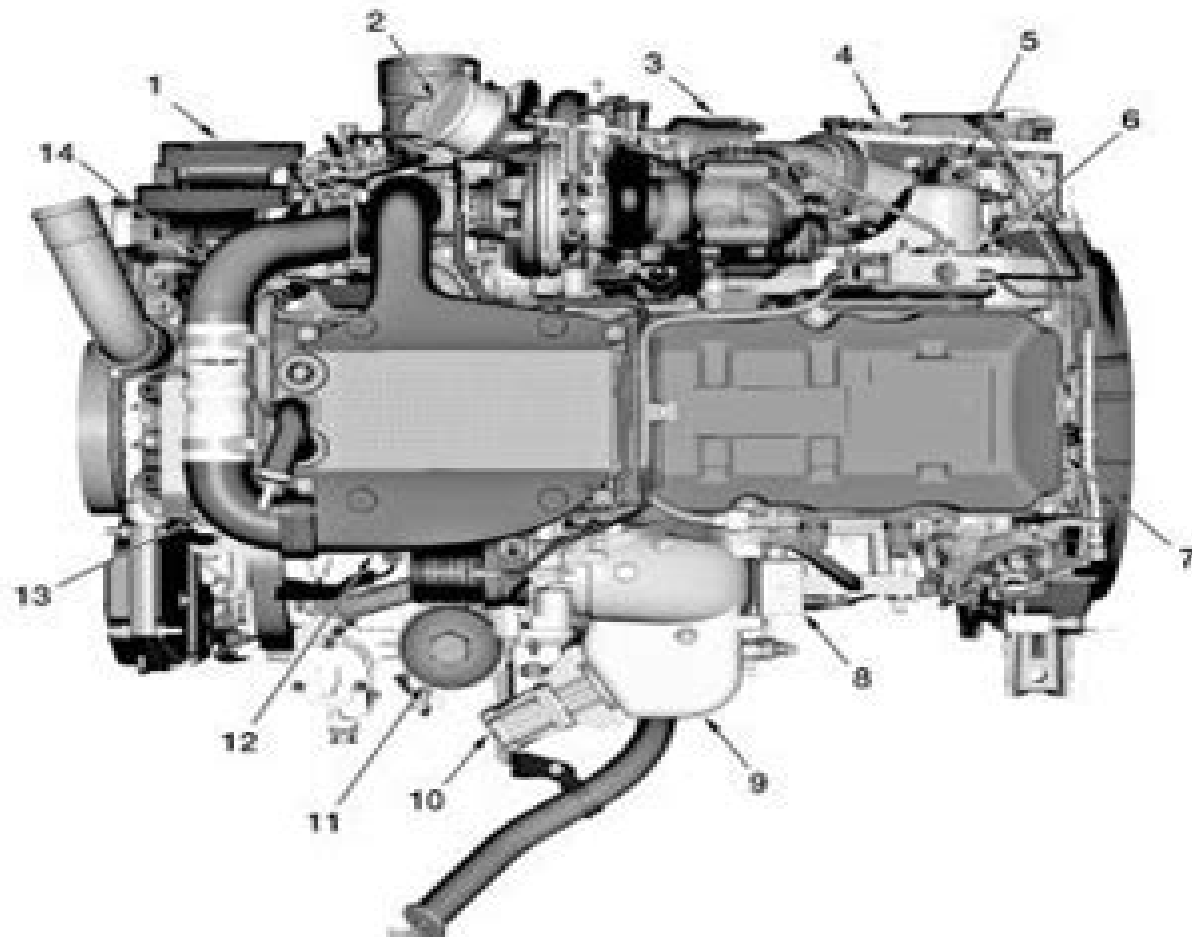


ENGINE SERVICE MANUAL

MaxxForce[®] DT, 9, and 10



Maxforce Engine Service Manual Oil Reccomendations

J Elliott



Maxforce Engine Service Manual Oil Reccomendations:

If you ally dependence such a referred **Maxforce Engine Service Manual Oil Reccomendations** book that will pay for you worth, get the agreed best seller from us currently from several preferred authors. If you desire to entertaining books, lots of novels, tale, jokes, and more fictions collections are as well as launched, from best seller to one of the most current released.

You may not be perplexed to enjoy every book collections Maxforce Engine Service Manual Oil Reccomendations that we will certainly offer. It is not just about the costs. Its virtually what you need currently. This Maxforce Engine Service Manual Oil Reccomendations, as one of the most operational sellers here will agreed be accompanied by the best options to review.

https://staging.conocer.cide.edu/results/browse/fetch.php/Eloge_Du_Mauvais_Geste.pdf

Table of Contents Maxforce Engine Service Manual Oil Reccomendations

1. Understanding the eBook Maxforce Engine Service Manual Oil Reccomendations
 - The Rise of Digital Reading Maxforce Engine Service Manual Oil Reccomendations
 - Advantages of eBooks Over Traditional Books
2. Identifying Maxforce Engine Service Manual Oil Reccomendations
 - Exploring Different Genres
 - Considering Fiction vs. Non-Fiction
 - Determining Your Reading Goals
3. Choosing the Right eBook Platform
 - Popular eBook Platforms
 - Features to Look for in an Maxforce Engine Service Manual Oil Reccomendations
 - User-Friendly Interface
4. Exploring eBook Recommendations from Maxforce Engine Service Manual Oil Reccomendations
 - Personalized Recommendations
 - Maxforce Engine Service Manual Oil Reccomendations User Reviews and Ratings
 - Maxforce Engine Service Manual Oil Reccomendations and Bestseller Lists
5. Accessing Maxforce Engine Service Manual Oil Reccomendations Free and Paid eBooks

- Maxforce Engine Service Manual Oil Recommendations Public Domain eBooks
 - Maxforce Engine Service Manual Oil Recommendations eBook Subscription Services
 - Maxforce Engine Service Manual Oil Recommendations Budget-Friendly Options
6. Navigating Maxforce Engine Service Manual Oil Recommendations eBook Formats
 - ePub, PDF, MOBI, and More
 - Maxforce Engine Service Manual Oil Recommendations Compatibility with Devices
 - Maxforce Engine Service Manual Oil Recommendations Enhanced eBook Features
 7. Enhancing Your Reading Experience
 - Adjustable Fonts and Text Sizes of Maxforce Engine Service Manual Oil Recommendations
 - Highlighting and Note-Taking Maxforce Engine Service Manual Oil Recommendations
 - Interactive Elements Maxforce Engine Service Manual Oil Recommendations
 8. Staying Engaged with Maxforce Engine Service Manual Oil Recommendations
 - Joining Online Reading Communities
 - Participating in Virtual Book Clubs
 - Following Authors and Publishers Maxforce Engine Service Manual Oil Recommendations
 9. Balancing eBooks and Physical Books Maxforce Engine Service Manual Oil Recommendations
 - Benefits of a Digital Library
 - Creating a Diverse Reading Collection Maxforce Engine Service Manual Oil Recommendations
 10. Overcoming Reading Challenges
 - Dealing with Digital Eye Strain
 - Minimizing Distractions
 - Managing Screen Time
 11. Cultivating a Reading Routine Maxforce Engine Service Manual Oil Recommendations
 - Setting Reading Goals Maxforce Engine Service Manual Oil Recommendations
 - Carving Out Dedicated Reading Time
 12. Sourcing Reliable Information of Maxforce Engine Service Manual Oil Recommendations
 - Fact-Checking eBook Content of Maxforce Engine Service Manual Oil Recommendations
 - Distinguishing Credible Sources
 13. Promoting Lifelong Learning
 - Utilizing eBooks for Skill Development

- Exploring Educational eBooks
14. Embracing eBook Trends
- Integration of Multimedia Elements
 - Interactive and Gamified eBooks

Maxforce Engine Service Manual Oil Reccomendations Introduction

In todays digital age, the availability of Maxforce Engine Service Manual Oil Reccomendations books and manuals for download has revolutionized the way we access information. Gone are the days of physically flipping through pages and carrying heavy textbooks or manuals. With just a few clicks, we can now access a wealth of knowledge from the comfort of our own homes or on the go. This article will explore the advantages of Maxforce Engine Service Manual Oil Reccomendations books and manuals for download, along with some popular platforms that offer these resources. One of the significant advantages of Maxforce Engine Service Manual Oil Reccomendations books and manuals for download is the cost-saving aspect. Traditional books and manuals can be costly, especially if you need to purchase several of them for educational or professional purposes. By accessing Maxforce Engine Service Manual Oil Reccomendations versions, you eliminate the need to spend money on physical copies. This not only saves you money but also reduces the environmental impact associated with book production and transportation. Furthermore, Maxforce Engine Service Manual Oil Reccomendations books and manuals for download are incredibly convenient. With just a computer or smartphone and an internet connection, you can access a vast library of resources on any subject imaginable. Whether youre a student looking for textbooks, a professional seeking industry-specific manuals, or someone interested in self-improvement, these digital resources provide an efficient and accessible means of acquiring knowledge. Moreover, PDF books and manuals offer a range of benefits compared to other digital formats. PDF files are designed to retain their formatting regardless of the device used to open them. This ensures that the content appears exactly as intended by the author, with no loss of formatting or missing graphics. Additionally, PDF files can be easily annotated, bookmarked, and searched for specific terms, making them highly practical for studying or referencing. When it comes to accessing Maxforce Engine Service Manual Oil Reccomendations books and manuals, several platforms offer an extensive collection of resources. One such platform is Project Gutenberg, a nonprofit organization that provides over 60,000 free eBooks. These books are primarily in the public domain, meaning they can be freely distributed and downloaded. Project Gutenberg offers a wide range of classic literature, making it an excellent resource for literature enthusiasts. Another popular platform for Maxforce Engine Service Manual Oil Reccomendations books and manuals is Open Library. Open Library is an initiative of the Internet Archive, a non-profit organization dedicated to digitizing cultural artifacts and making them accessible to the public. Open Library hosts millions of books, including both

public domain works and contemporary titles. It also allows users to borrow digital copies of certain books for a limited period, similar to a library lending system. Additionally, many universities and educational institutions have their own digital libraries that provide free access to PDF books and manuals. These libraries often offer academic texts, research papers, and technical manuals, making them invaluable resources for students and researchers. Some notable examples include MIT OpenCourseWare, which offers free access to course materials from the Massachusetts Institute of Technology, and the Digital Public Library of America, which provides a vast collection of digitized books and historical documents. In conclusion, Maxforce Engine Service Manual Oil Reccomendations books and manuals for download have transformed the way we access information. They provide a cost-effective and convenient means of acquiring knowledge, offering the ability to access a vast library of resources at our fingertips. With platforms like Project Gutenberg, Open Library, and various digital libraries offered by educational institutions, we have access to an ever-expanding collection of books and manuals. Whether for educational, professional, or personal purposes, these digital resources serve as valuable tools for continuous learning and self-improvement. So why not take advantage of the vast world of Maxforce Engine Service Manual Oil Reccomendations books and manuals for download and embark on your journey of knowledge?

FAQs About Maxforce Engine Service Manual Oil Reccomendations Books

How do I know which eBook platform is the best for me? Finding the best eBook platform depends on your reading preferences and device compatibility. Research different platforms, read user reviews, and explore their features before making a choice. Are free eBooks of good quality? Yes, many reputable platforms offer high-quality free eBooks, including classics and public domain works. However, make sure to verify the source to ensure the eBook credibility. Can I read eBooks without an eReader? Absolutely! Most eBook platforms offer webbased readers or mobile apps that allow you to read eBooks on your computer, tablet, or smartphone. How do I avoid digital eye strain while reading eBooks? To prevent digital eye strain, take regular breaks, adjust the font size and background color, and ensure proper lighting while reading eBooks. What the advantage of interactive eBooks? Interactive eBooks incorporate multimedia elements, quizzes, and activities, enhancing the reader engagement and providing a more immersive learning experience. Maxforce Engine Service Manual Oil Reccomendations is one of the best book in our library for free trial. We provide copy of Maxforce Engine Service Manual Oil Reccomendations in digital format, so the resources that you find are reliable. There are also many Ebooks of related with Maxforce Engine Service Manual Oil Reccomendations. Where to download Maxforce Engine Service Manual Oil Reccomendations online for free? Are you looking for Maxforce Engine Service Manual Oil Reccomendations PDF? This is definitely going to save you time and cash in something you should think about. If you trying to find then search around for

online. Without a doubt there are numerous these available and many of them have the freedom. However without doubt you receive whatever you purchase. An alternate way to get ideas is always to check another Maxforce Engine Service Manual Oil Recommendations. This method for see exactly what may be included and adopt these ideas to your book. This site will almost certainly help you save time and effort, money and stress. If you are looking for free books then you really should consider finding to assist you try this. Several of Maxforce Engine Service Manual Oil Recommendations are for sale to free while some are payable. If you arent sure if the books you would like to download works with for usage along with your computer, it is possible to download free trials. The free guides make it easy for someone to free access online library for download books to your device. You can get free download on free trial for lots of books categories. Our library is the biggest of these that have literally hundreds of thousands of different products categories represented. You will also see that there are specific sites catered to different product types or categories, brands or niches related with Maxforce Engine Service Manual Oil Recommendations. So depending on what exactly you are searching, you will be able to choose e books to suit your own need. Need to access completely for Campbell Biology Seventh Edition book? Access Ebook without any digging. And by having access to our ebook online or by storing it on your computer, you have convenient answers with Maxforce Engine Service Manual Oil Recommendations To get started finding Maxforce Engine Service Manual Oil Recommendations, you are right to find our website which has a comprehensive collection of books online. Our library is the biggest of these that have literally hundreds of thousands of different products represented. You will also see that there are specific sites catered to different categories or niches related with Maxforce Engine Service Manual Oil Recommendations So depending on what exactly you are searching, you will be able to choose ebook to suit your own need. Thank you for reading Maxforce Engine Service Manual Oil Recommendations. Maybe you have knowledge that, people have search numerous times for their favorite readings like this Maxforce Engine Service Manual Oil Recommendations, but end up in harmful downloads. Rather than reading a good book with a cup of coffee in the afternoon, instead they juggled with some harmful bugs inside their laptop. Maxforce Engine Service Manual Oil Recommendations is available in our book collection an online access to it is set as public so you can download it instantly. Our digital library spans in multiple locations, allowing you to get the most less latency time to download any of our books like this one. Merely said, Maxforce Engine Service Manual Oil Recommendations is universally compatible with any devices to read.

Find Maxforce Engine Service Manual Oil Recommendations :

elope du mauvais geste

emathinstruction algebra quadratic transformations

~~embracing life the embrace series book english edition~~

[emeril prime rib dinner recipe](#)

[elephants in thailand 3 white elephants in thailand and neighboring countries](#)

[emissary legends of the realm](#)

[emira the shadow shattered souls book 1](#)

[eli lilly team solutions workbooks](#)

[embroidering shrouds joanna piercy mystery series book 6](#)

[email example for sales prospecting](#)

[elf world shadows rising](#)

[emachines computer repair manual](#)

[emathinstruction algebra unit 6 lesson 3 answer key](#)

[em7000is service manual](#)

els handbook 3rd edition

Maxforce Engine Service Manual Oil Recommendations :

atlas of histology with functional correlations lww - Oct 06 2023

web master histology with idealized and actual photomicrography this thirteenth edition of atlas of histology with functional correlations formerly difiore s provides a rich understanding of the basic histology concepts that medical and allied health students need to know realistic full color illustrations as well as actual photomicrographs of

histology a text and atlas with correlated cell and molecular - Oct 26 2022

web selected as a doody s core title for 2022 combining a reader friendly textbook and a rich full color atlas this bestselling resource equips medical dental health professions and undergraduate biology and cell biology students with a comprehensive grasp of the clinical and functional correlates of histology and a vivid understanding of the structural and

anatlabs histology on the app store - Apr 19 2022

web aug 30 2017 a complete atlas of histology slides viewable at cellular detail through a cloud based streaming virtual microscope the anatlabs histology atlas app provides mobile access to a complete collection of ultra high resolution histology microscopic slide images this system allows students teachers researchers and the general public to

[difiore s atlas of histology with functional correlations](#) - Dec 28 2022

web student resources online e book interactive question bank for chapter review and interactive atlas featuring all images from the book more than 450 additional micrographs difiore s atlas of histology is the perfect resource for

atlas of histology with functional and clinical correlations - Mar 31 2023

web 0781797594 9780781797597 bibtex a comprehensive histology atlas with extras the unique atlas of histology with functional and clinical correlations covers fundamental histology topics

[atlas of histology with functional correlations 13th edition by](#) - Jun 02 2023

web mar 18 2017 master histology with idealized and actual photomicrography this thirteenth edition of atlas of histology with functional correlations formerly difiore s provides a rich understanding of the basic histology concepts that medical and allied health students need to know realistic full color illustrations as well as actual photomicrographs of

histology a text and atlas by ross review kenhub - Nov 26 2022

web oct 30 2023 written by michael h ross and wojciech pawlina two dedicated physicians histology a text and atlas intertwines histology and cell and molecular biology with an ease that is difficult for competitors to match

difiore s atlas of histology with functional correlations - May 01 2023

web lippincott williams wilkins 2008 medical 532 pages difiore s atlas of histology with functional correlations eleventh edition explains basic histology concepts through full color schematic illustrations these illustrations are supplemented by more than 450 digitized full color online photomicrographs of histological images

[read free atlas of histology international edition with fun](#) - May 21 2022

web atlas of histology international edition with fun how to succeed at university international edition oct 29 2020 if you re a student hoping to excel at university this inexpensive how to guide is just what you need from selecting a university and orientation to graduation day the volume covers not

atlas of histology with functional correlations 13th ie - Jul 03 2023

web mar 9 2017 master histology with idealized and actual photomicrography this thirteenth edition of atlas of histology with functional correlations formerly difiore s provides a rich understanding of the basic histology concepts that

atlas of histology thirteenth international edition victor - Sep 24 2022

web atlas of histology with functional correlations thirteenth international edition show more paperback 269 inclusive of vat sold as each split into 4 payments of sr 72 month with service charges included read more sku 487577 publishing ref 9781496310231

atlas of histology international edition with fun pdf uniport edu - Jun 21 2022

web sep 16 2023 atlas of histology international edition with fun 2 10 downloaded from uniport edu ng on september 16 2023 by guest chapter study hints found throughout the text give practical advice to students about mnemonics or other helpful means of understanding or recall connect it features link to

textbook of histology color atlas 5th edition pdf free download - Mar 19 2022

web the fifth edition of textbook of histology color atlas was received well still there have been comments regarding the tiny

size of photomicrographs and figures to beat the matter the fifth edition has been designed as our earlier first third editions currently the text is on one page and its figure on the facing page

curran s atlas of histopathology curran r c archive org - Feb 15 2022

web revised edition of color atlas of histopathology includes bibliographical references and index access restricted item true addeddate 2020 08 11 17 32 53 associated names crocker j curran r c color atlas of histopathology boxid ia1898908 camera usb ptp class camera collection set printdisabled

an atlas of histology springerlink - Aug 24 2022

web this atlas filled with photo realistic drawings was prepared to help bridge the gap between the simplicity of diagrams and the more complex reality of microstructure all of the figures in this atlas were drawn from histological preparations used by students in my histology classes at the level of light microscopy

pdf histology a text and atlas with correlated cell - Aug 04 2023

web dec 27 2019 the fourth edition of the textbook has been revised and updated in accordance with the curricula of medical schools on histology embryology and cytology view full text last updated 21 may 2023

difiore s atlas of histology with functional correlations pdf - Sep 05 2023

web all structures are directly correlated with the most important and essential functional correlations allowing students to efficiently learn histologic structures and their major functions at the same time this new edition features expanded introduction on basic histology techniques and staining as well as a more comprehensive list of stains that

histology a text and atlas by wojciech pawlina wolters kluwer - Feb 27 2023

web jan 30 2019 histology a text and atlas with correlated cell and molecular biology eighth edition international edition by wojciech pawlina and michael h ross imprint lww sales date 2019 01 30 1072 pages 212 00 x 276 00 mm 1072 pages 212 00 x 276 00 mm trade paperback isbn 9781975115364

atlas of histology for medical students pdf free download - Jul 23 2022

web atlas of adrenal surgery pdf free download clinical ophthalmic oncology basic principles 3rd edition pdf free download features of atlas of histology for medical students pdf following are the features of atlas

difiore s atlas of histology with functional correlations open library - Jan 29 2023

web feb 27 2023 di fiore s atlas of histology with functional correlations 1993 lea febiger in english 7th ed 0812115600 9780812115604 cccc borrow listen libraries near you worldcat 7

holiday and celebration bread in five minutes a day apple books - Sep 28 2022

web cooking cooking trustpilot buy a cheap copy of holiday and celebration bread in five book by zoë françois from the authors of the artisan bread in five minutes a day

holiday and celebration bread in five minutes a day google - May 25 2022

web read holiday and celebration bread in five minutes a day by jeff hertzberg m d zoë françois with a free trial read millions of ebooks and audiobooks on the web ipad

holiday and celebration bread in five minutes a day sweet - Mar 03 2023

web nov 6 2018 from the authors of the artisan bread in five minutes a day series comes a holiday and celebration cookbook that uses the same groundbreaking quick and easy

holiday and celebration bread in five minutes a day sweet and - Nov 30 2022

web pinch salt egg wash 1 egg mixed with 1 tablespoon water and a pinch of salt for the pumpkin filling combine the pumpkin puree sugar butter ginger cinnamon and salt in

holiday and celebration bread in five minutes a day - Jun 06 2023

web nov 6 2018 holiday and celebration bread in five minutes a day sweet and decadent baking for every occasion by jeff hertzberg m d zoë françois write a review ebook

holiday and celebration bread in five minutes a day sweet and - Jul 27 2022

web read holiday and celebration bread in five minutes a day by jeff hertzberg m d zoë françois with a free trial read millions of ebooks and audiobooks on the web ipad

holiday and celebration bread in five book by zoë françois - Jun 25 2022

web may 26 2020 shop holiday and celebration bread in five minutes a day by jeff hertzberg zoe francois hardcover at target choose from same day delivery drive

holiday and celebration bread in five minutes a day by jeff - Apr 23 2022

web nov 22 2018 come bake with us from holiday and celebration bread in five minutes a day we love to hear from you and answer questions on our bread website

holiday and celebration bread in five minutes a day sweet and - May 05 2023

web holiday and celebration bread in five minutes a day sweet and decadent baking for every occasion by hertzberg m d jeff françois zoë isbn 10 1250077567 isbn

holiday and celebration bread in five minutes a day by jeff - Feb 19 2022

web nov 6 2018 from the authors of the artisan bread in five minutes a day series comes a holiday and celebration cookbook that uses the same groundbreaking quick and easy

holiday and celebration bread in five minutes a day sw - Jul 07 2023

web nov 6 2018 buy holiday and celebration bread in five minutes a day sweet and decadent baking for every occasion by francois zo hertzberg jeff m d kieffer

holiday and celebration bread in five minutes a day kobo com - Oct 30 2022

web holiday and celebration bread in five minutes a day sweet and decadent baking for every occasion zoë françois and jeff hertzberg st martin s 35 400p isbn 978 1

holiday and celebration bread archives artisan bread in five - Aug 28 2022

web from the authors of the artisan bread in five minutes a day series comes a holiday and celebration cookbook that uses the same groundbreaking quick and easy baking

holiday and celebration bread in five minutes a day sweet and - Sep 09 2023

web nov 6 2018 from the authors of the artisan bread in five minutes a day series comes a holiday and celebration cookbook that uses the same groundbreaking quick and easy

holiday and celebration bread in five minutes a day sweet and - Apr 04 2023

web holiday and celebration bread in five minutes a day sweet and decadent baking for every occasion ebook written by jeff hertzberg m d zoë françois read this book

holiday and celebration bread in five minutes a day - Oct 10 2023

web nov 6 2018 holiday and celebration bread in five minutes a day sweet and decadent baking for every occasion hertzberg m d jeff françois zoë on amazon com

holiday and celebration bread in five minutes a day overdrive - Nov 18 2021

holiday and celebration bread in five minutes a day sweet and - Dec 20 2021

holiday and celebration bread in five minutes a day - Jan 01 2023

web connecting to apple music connecting b from the authors of the artisan bread in five minutes a day series comes a holiday and celebration cookbook that uses the same

holiday and celebration bread in five minutes a day target - Mar 23 2022

web nov 6 2018 holiday and celebration bread in five minutes a day sweet and decadent baking for every occasion kindle edition by francois zoe download it once and read

holiday and celebration bread in five minutes a day zoëbakes - Jan 21 2022

holiday and celebration bread in five minutes a day macmillan - Aug 08 2023

web zoë françois jeff hertzberg 4 40 99 ratings10 reviews from the authors of the artisan bread in five minutes a day series comes a holiday and celebration cookbook that

holiday and celebration bread in five minutes a day sweet and - Feb 02 2023

web read holiday and celebration bread in five minutes a day sweet and decadent baking for every occasion by zoë françois available from rakuten kobo from the authors of

ixl skill plan grade 5 plan for envision mathematics - Jul 11 2022

web recognizing the way ways to get this book envision end of test 5th grade is additionally useful you have remained in right site to start getting this info acquire the envision end

envision mathematics 2020 for grades k 5 savvas - May 21 2023

web your envision mathematics program is a nationally recognized award winner now you can make envision even better when you add the new savvas math screener

envision end of topic tests teaching resources tpt - Jan 17 2023

web browse envision math 5th grade test resources on teachers pay teachers a marketplace trusted by millions of teachers for original educational resources browse

envision end of test 5th grade pdf uniport edu - Mar 07 2022

web jun 18 2023 envision end of test 5th grade 1 9 downloaded from uniport edu ng on june 18 2023 by guest envision end of test 5th grade getting the books envision

envision math 5th grade topic 1 practice test quizizz - Jul 23 2023

web browse 5th grade end of year envision math test resources on teachers pay teachers a marketplace trusted by millions of teachers for original educational resources browse

envision math topic 1 review 5th grade 161 plays quizizz - Oct 14 2022

web the materials for each grade level provide an online placement test at the start of the year and an online end of year test each of which has 40 questions that are a mix of

5th grade end of year envision math test tpt - Jun 22 2023

web browse envisions 5th grade end of math test resources on teachers pay teachers a marketplace trusted by millions of teachers for original educational resources

envision end of test 5th grade download only jmsseniorliving - Feb 06 2022

web jun 21 2023 grade envision math the end 2012 common core envision math fifth grade it is great for reviewing the day before the test or for homework the night before

envision mathematics k 5 2020 assessment my savvas - Aug 24 2023

web envision math 5th grade topic 1 practice test quiz for 5th grade students find other quizzes for mathematics and more on quizizz for free

results for envision 5th grade tpt - Jun 10 2022

web showing 8 worksheets for envision math grade5 worksheets are end of the year test envision math grade 3 workbook pdf grade 5 common core state s

envisions 5th grade end of math test tpt - Apr 20 2023

web 7th envision math topic 2 review 5th grade quiz for 5th grade students find other quizzes for mathematics and more on quizizz for free

envision math 2 0 texas grade 5 texas resource - Aug 12 2022

web envision math 5th grade bundle get everything you need to keep kids organized with 5th grade envisions math this year now over 250 pages this is a collection of all

envision math diagnostic assessment savvas learning - Mar 19 2023

web browse envision end of topic tests resources on teachers pay teachers a marketplace trusted by millions of teachers for original educational resources browse catalog grade

envision math 5th grade test teaching resources tpt - Nov 15 2022

web a 2024 version is also available in my shop what s includedincluded in this pack are 8 worksheets on all the lessons in the fifth grade envision math book for topic 5 these

envision math grades k 5 faqs savvas learning company - Dec 16 2022

web envision math topic 1 review 5th grade quiz for 5th grade students find other quizzes for mathematics and more on quizizz for free

envision math topic 2 review 5th grade 222 plays quizizz - Feb 18 2023

web envision mathematics 2020 for grades k 5 is the only math program that combines problem based learning and visual learning to deepen students conceptual understanding envision is used by classrooms across the country and around the world

envision past tense conjugation in present past past - Nov 03 2021

envision end of test 5th grade david c berliner - May 09 2022

web mar 1 2023 getting this info acquire the envision end of test 5th grade associate that we find the money for here and check out the link you could purchase guide envision end

envision end of test 5th grade pdf uniport edu - Jan 05 2022

web future perfect continuous tense he she it will shall have been envisioning i will shall have been envisioning you we they will shall have been envisioning this is a

end of the year test grade 5 math mammoth - Sep 25 2023

web to add questions click add items from test bank and search the bank of test items by standard or keyword you can also add your own assessments select the create

envision math grade 5 test tpt - Sep 13 2022

web skill plan for envision mathematics grade 5 ixl provides skill alignments with recommended ixl skills for each topic find the ixl skills that are right for you below

envision end of test 5th grade secure4 khronos - Dec 04 2021

envision math grade5 worksheets k12 workbook - Apr 08 2022

web 2 envision end of test 5th grade 2021 05 05 envision end of test 5th grade downloaded from jmsseniorliving com by guest jimena giovanna the love